



US00D355897S

# United States Patent [19]

[11] Patent Number: **Des. 355,897**

Nakanishi et al.

[45] Date of Patent: **\*\* Feb. 28, 1995**

[54] **COMPUTER TERMINAL**

[56] **References Cited**

[75] Inventors: **Masafumi Nakanishi; Muneo Satoh,**  
both of Oizumi, Japan

### U.S. PATENT DOCUMENTS

- D. 289,291 4/1987 Kapper ..... D14/100
- D. 298,038 10/1988 Brown et al. .... D14/100
- D. 310,515 9/1990 Bianco ..... D14/100
- D. 318,660 7/1991 Weber ..... D14/113 X
- D. 346,594 5/1994 Skaggs et al. .... D14/113
- 5,257,164 10/1993 Perez et al. .... D14/105 X

[73] Assignee: **Sanyo Electric Co., Ltd., Osaka,**  
Japan

*Primary Examiner*—Freda S. Nunn  
*Attorney, Agent, or Firm*—Spensley Horn Jubas &  
Lubitz

[\*\*] Term: **14 Years**

[21] Appl. No.: **11,602**

### [57] CLAIM

The ornamental design for a computer terminal, as shown and described.

[22] Filed: **Aug. 10, 1993**

### [30] Foreign Application Priority Data

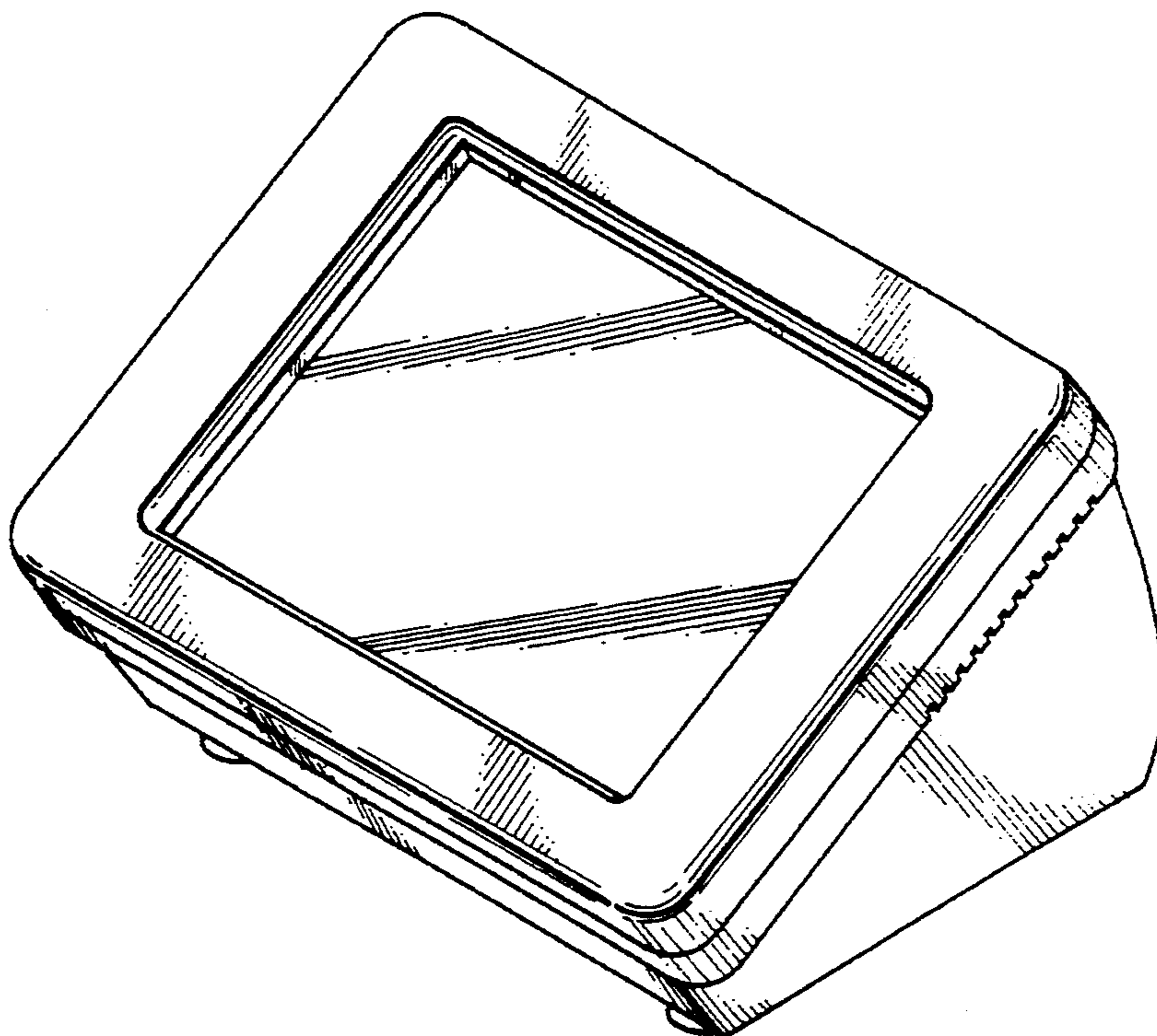
Feb. 15, 1993 [JP] Japan ..... 5-4205

[52] U.S. Cl. .... **D14/100; D18/4;**  
D14/113

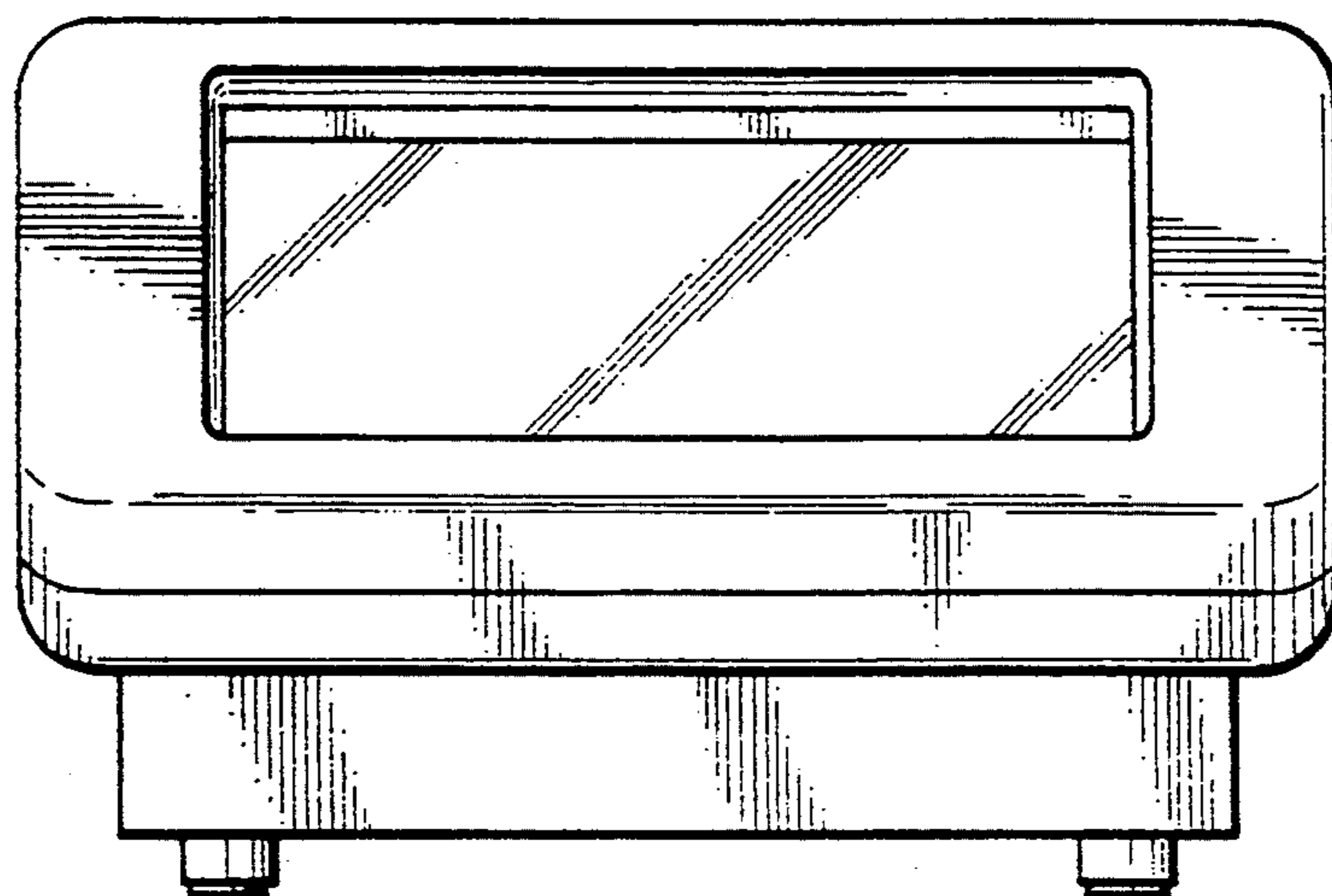
[58] Field of Search ..... D14/100, 101, 106, 113,  
D14/124-128, 118, 142, 105; D18/4; 345/104,  
133, 156, 168, 173, 901-905; 358/249, 254, 255;  
361/679-686; 235/7 R; 364/405

### DESCRIPTION

FIG. 1 is a front elevational view of the computer terminal;  
FIG. 2 is a rear elevational view thereof;  
FIG. 3 is a top plan view thereof;  
FIG. 4 is a bottom plan view thereof;  
FIG. 5 is a right side view thereof the left side view is a mirror image; and,  
FIG. 6 is a perspective view thereof.



*FIG. 1*



*FIG. 2*

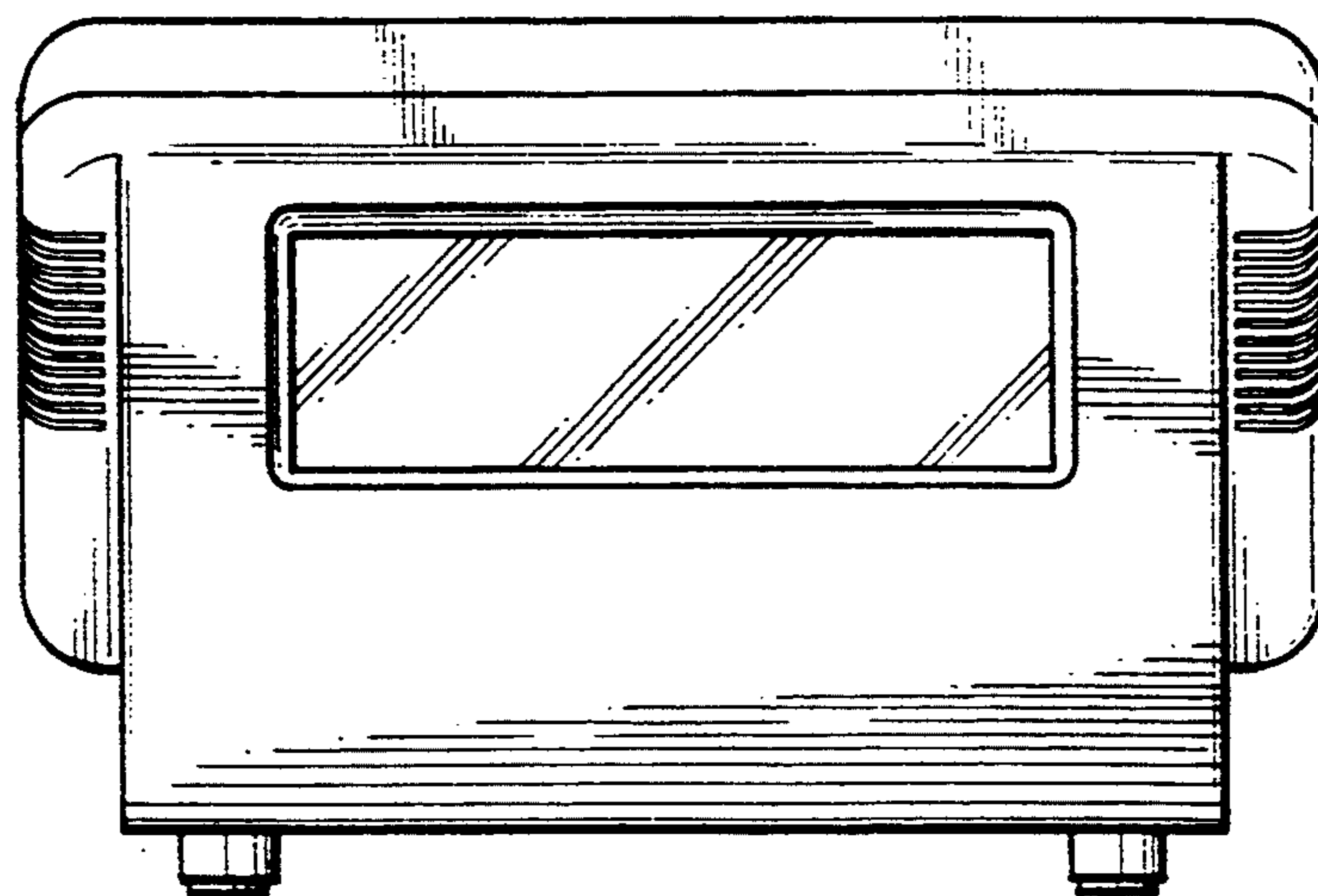


FIG. 3

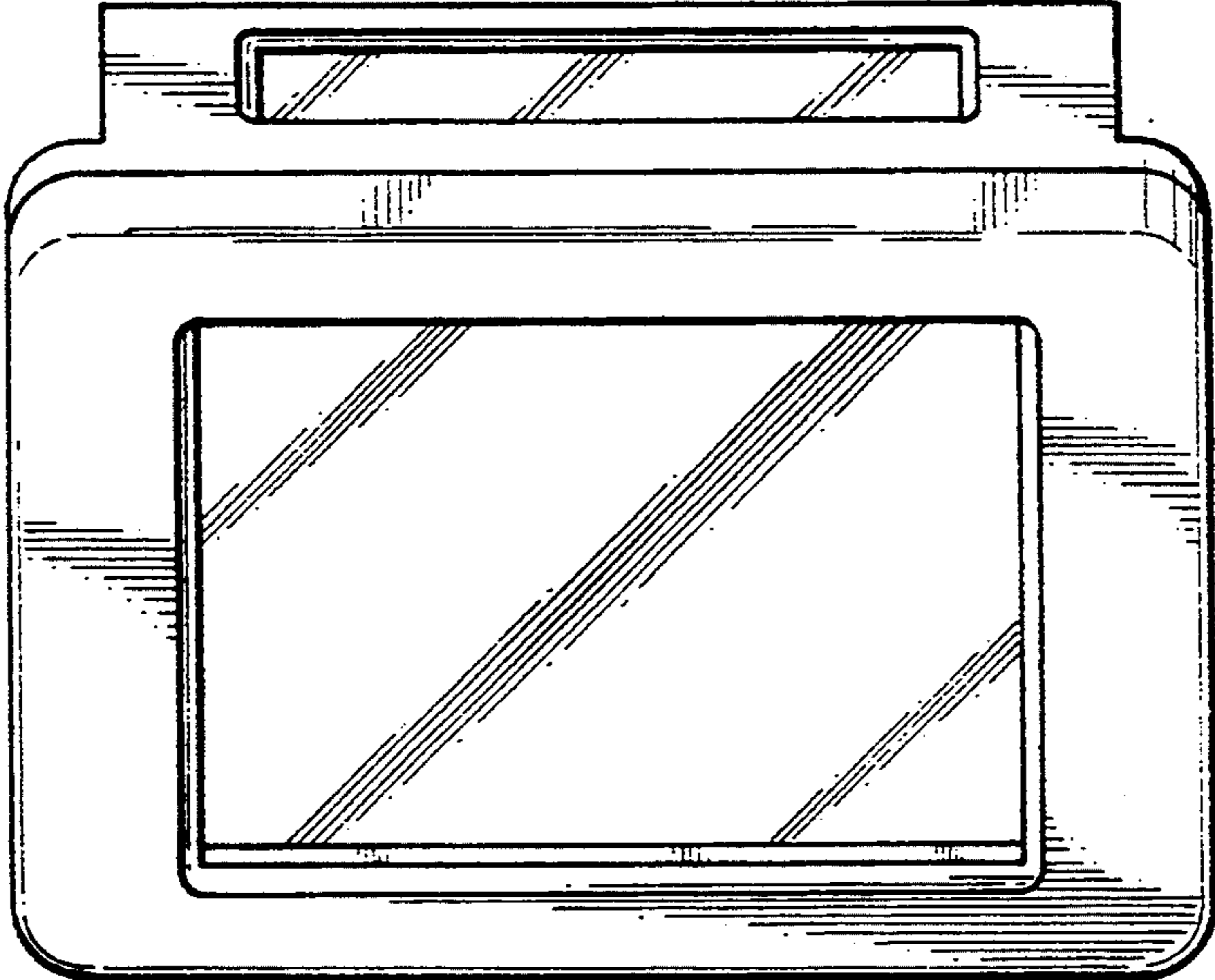
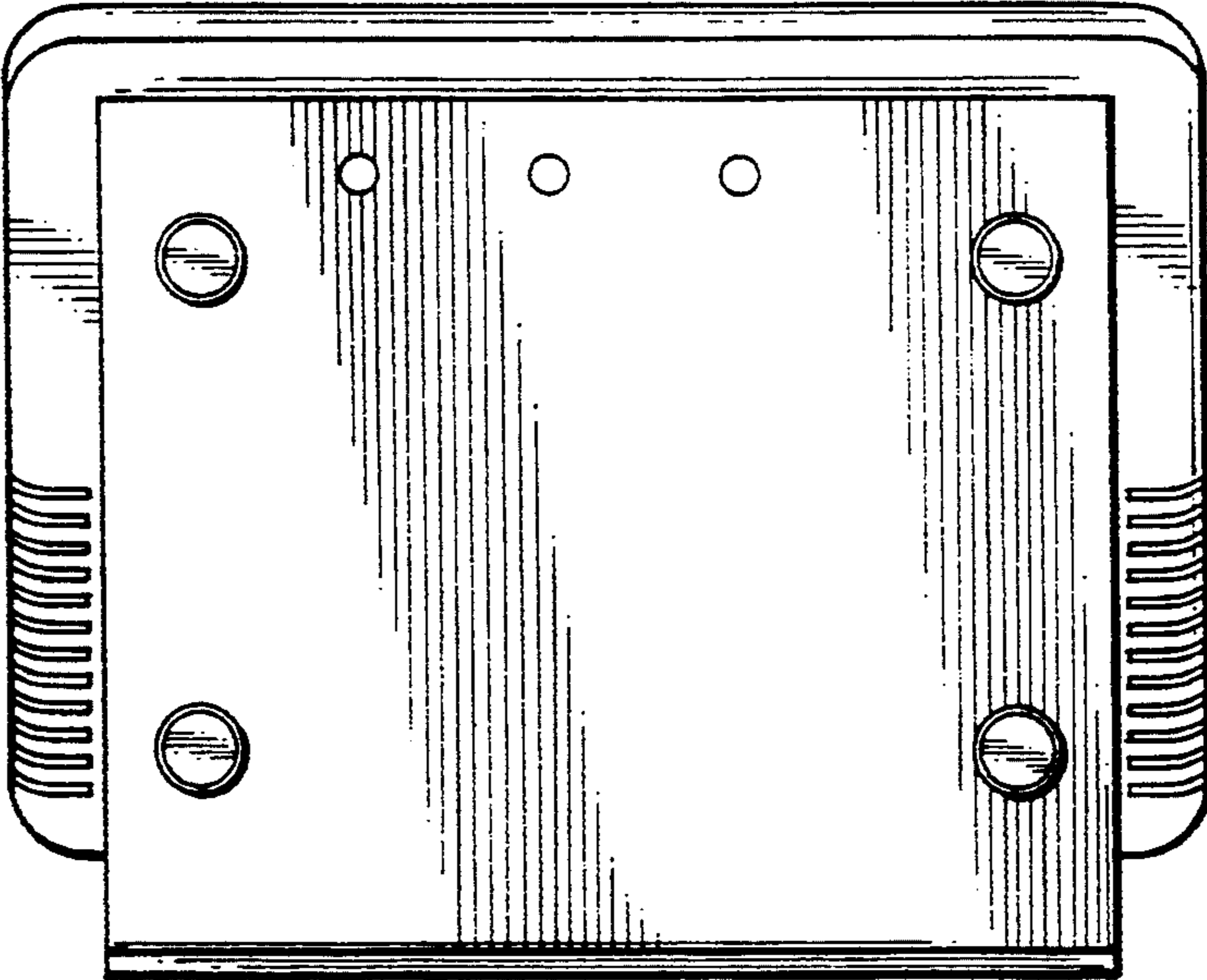
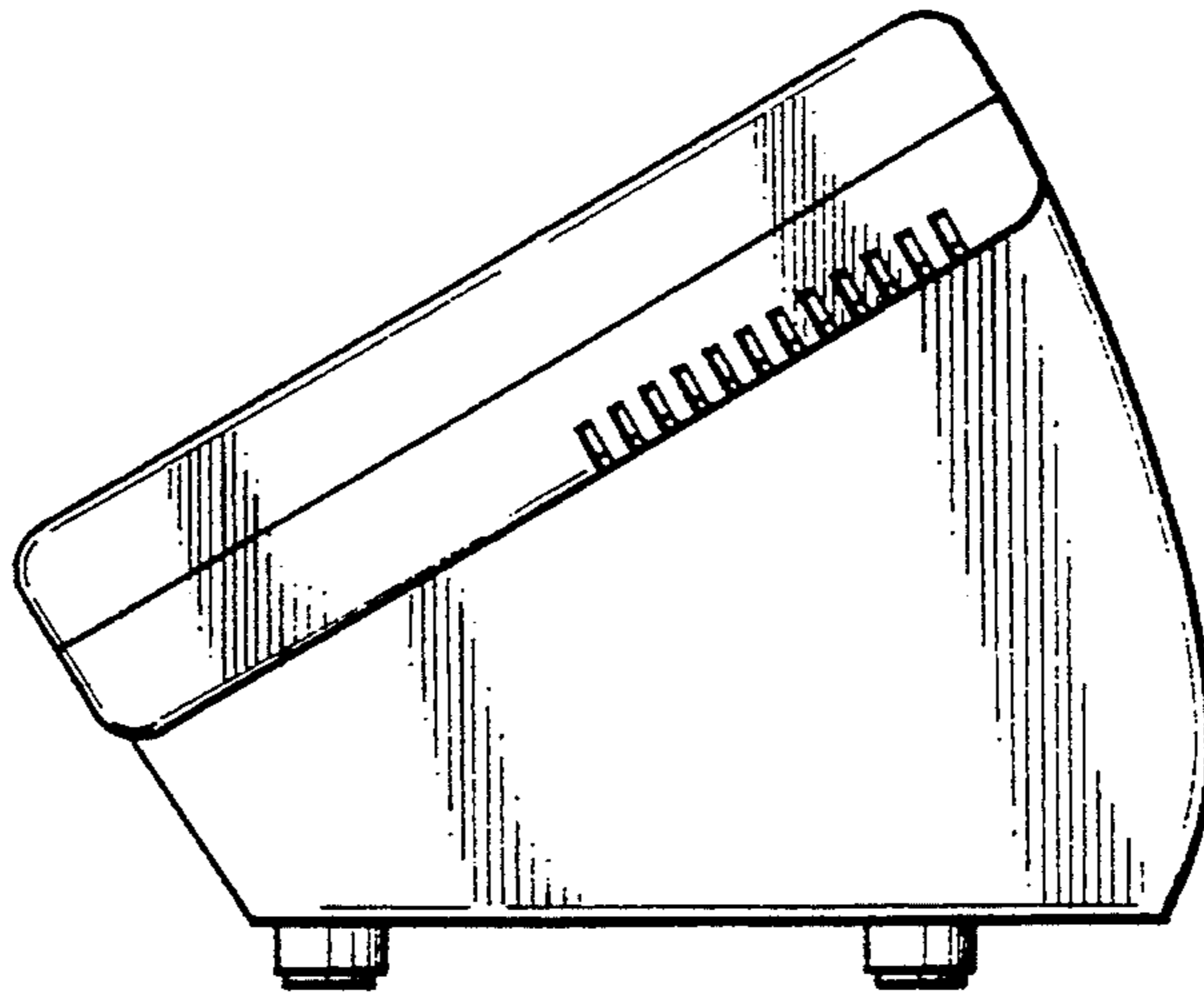


FIG. 4



*FIG. 5*



*FIG. 6*

