



US00D355894S

United States Patent [19]

Patent Number: **Des. 355,894**

Yeomans

Date of Patent: **Feb. 28, 1995**

[54] **CIRCUIT CARD TUBING**

FOREIGN PATENT DOCUMENTS

[75] Inventor: **Eric Yeomans, Lindsay, Canada**

356054055 5/1981 Japan 361/820

[73] Assignee: **International Business Machines Corporation, Armonk, N.Y.**

136392 6/1991 Japan 174/260

[**] Term: **14 Years**

Primary Examiner—Joel Sincavage
Attorney, Agent, or Firm—Michael Buchnenhorner;
Craig J. Yudell; Andrew J. Dillon

[21] Appl. No.: **18,563**

[22] Filed: **Feb. 9, 1994**

[52] U.S. Cl. **D13/182**

[58] Field of Search D13/182; D14/105, 107,
D14/114, 117; 174/260, 35 R; 361/679, 728,
736, 737, 742, 752, 802, 820; 439/377; 257/679;
206/328, 334

[57] **CLAIM**

The ornamental design for a circuit card tubing, as shown and described.

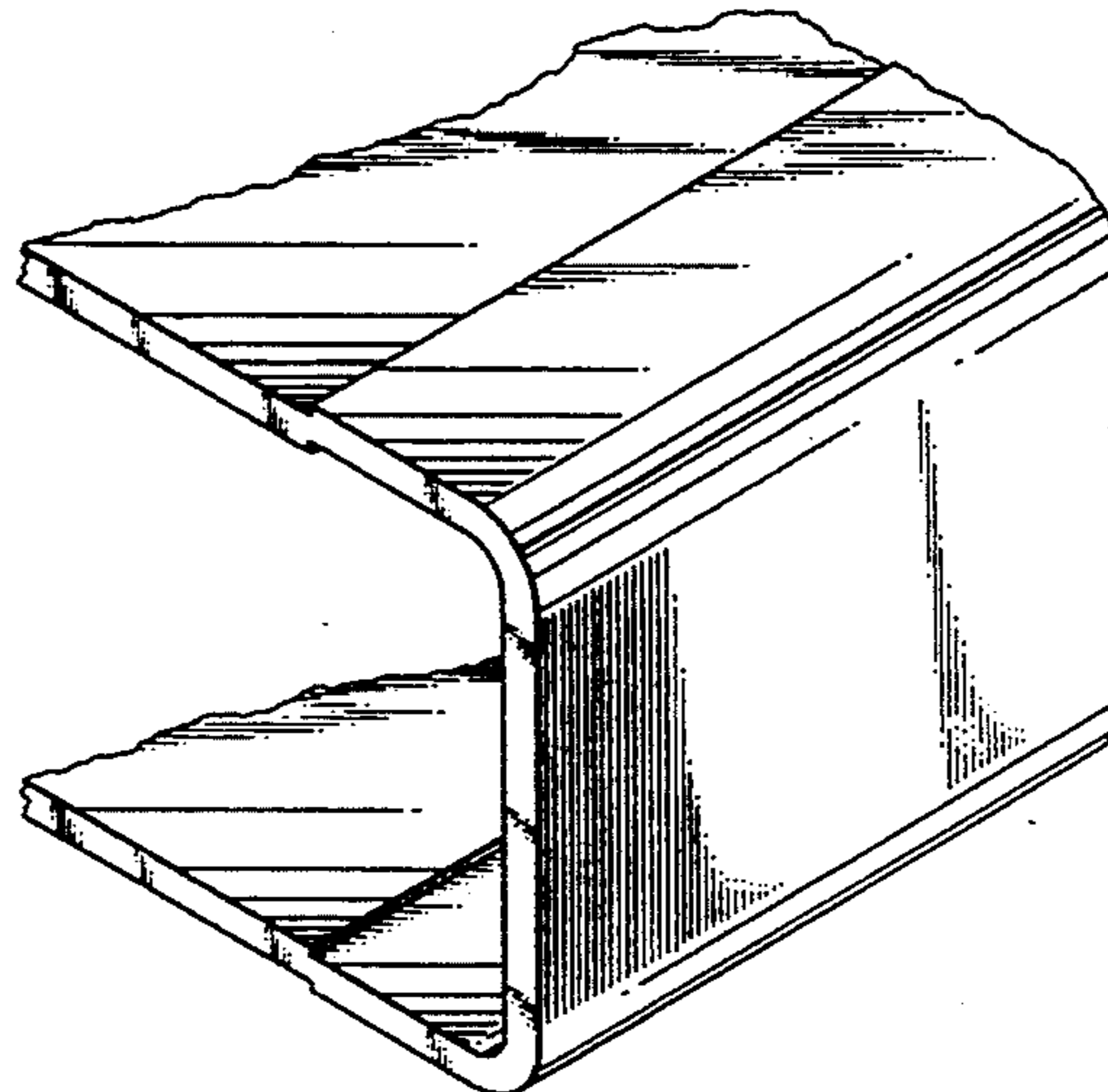
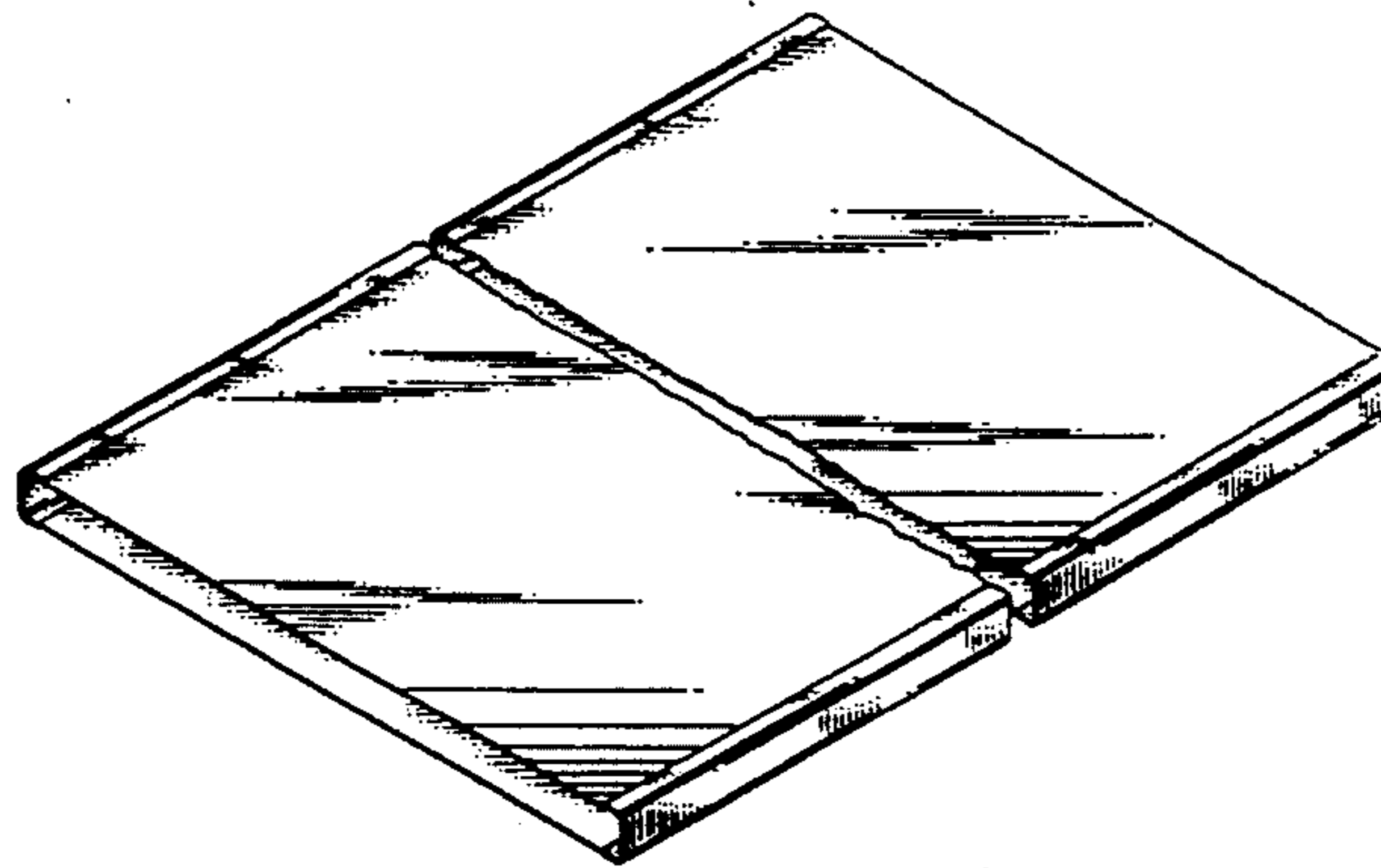
[56] **References Cited**

DESCRIPTION

U.S. PATENT DOCUMENTS

| | | | |
|-----------|--------|--------------------|------------|
| 4,609,104 | 9/1986 | Kasper et al. | 174/35 R X |
| 4,690,274 | 9/1987 | Lue | 206/328 |
| 4,745,247 | 5/1988 | Fukumoto | 174/35 R X |
| 4,756,414 | 7/1988 | Mott | 206/328 |
| 5,031,076 | 7/1991 | Kiku | 174/35 R X |
| 5,105,335 | 4/1992 | Honda | 361/679 |
| 5,242,051 | 9/1993 | Murphy | 206/334 X |
| 5,287,083 | 2/1994 | Person et al. | D13/125 X |

FIG. 1 is an isometric view of the circuit card tubing of the present invention;
FIG. 2 is a top view of the present invention;
FIG. 3 is an end view of the present invention;
FIG. 4 is a side view of the present invention; and,
FIG. 5 is an enlarged view of a corner of the present invention.



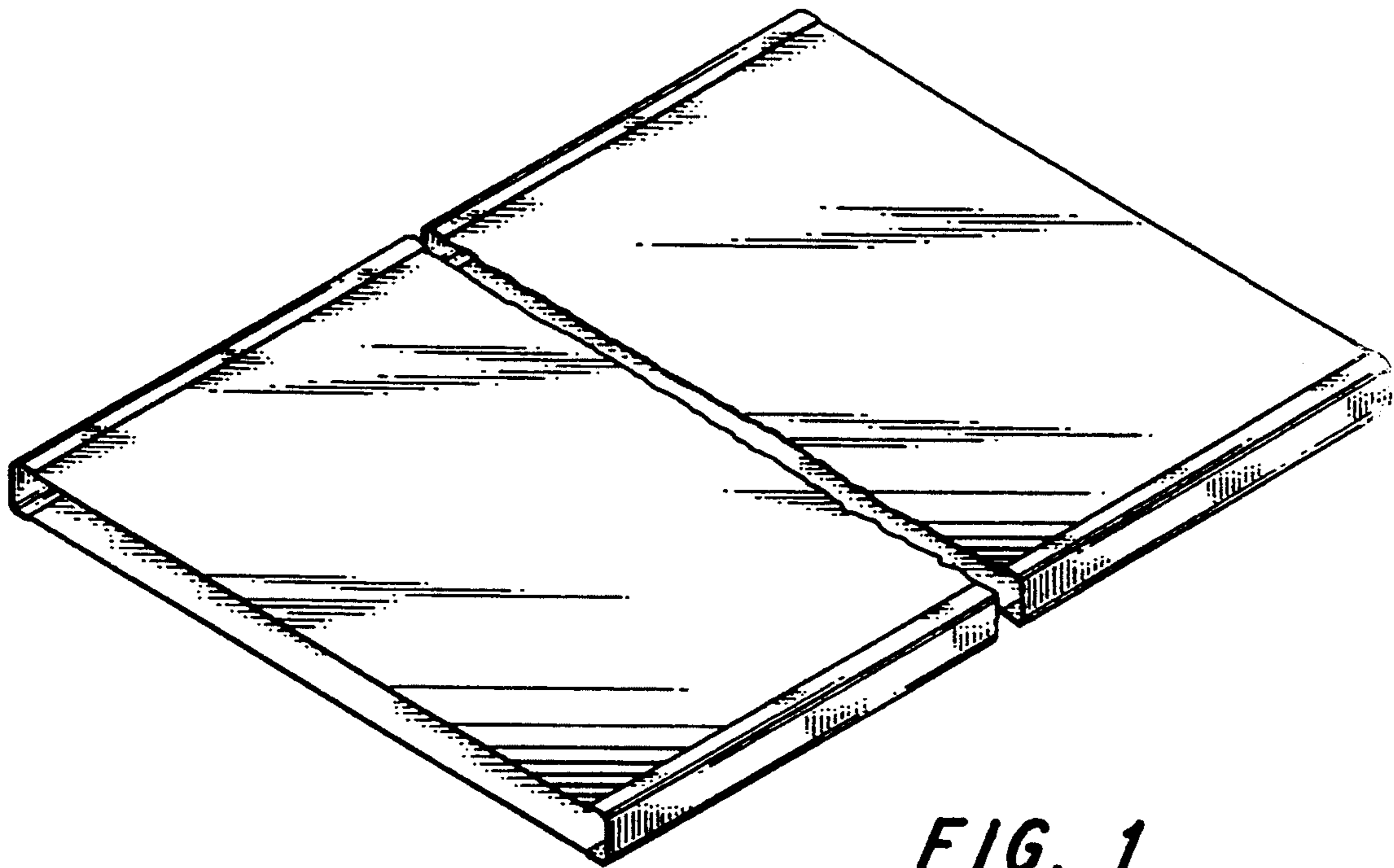


FIG. 1

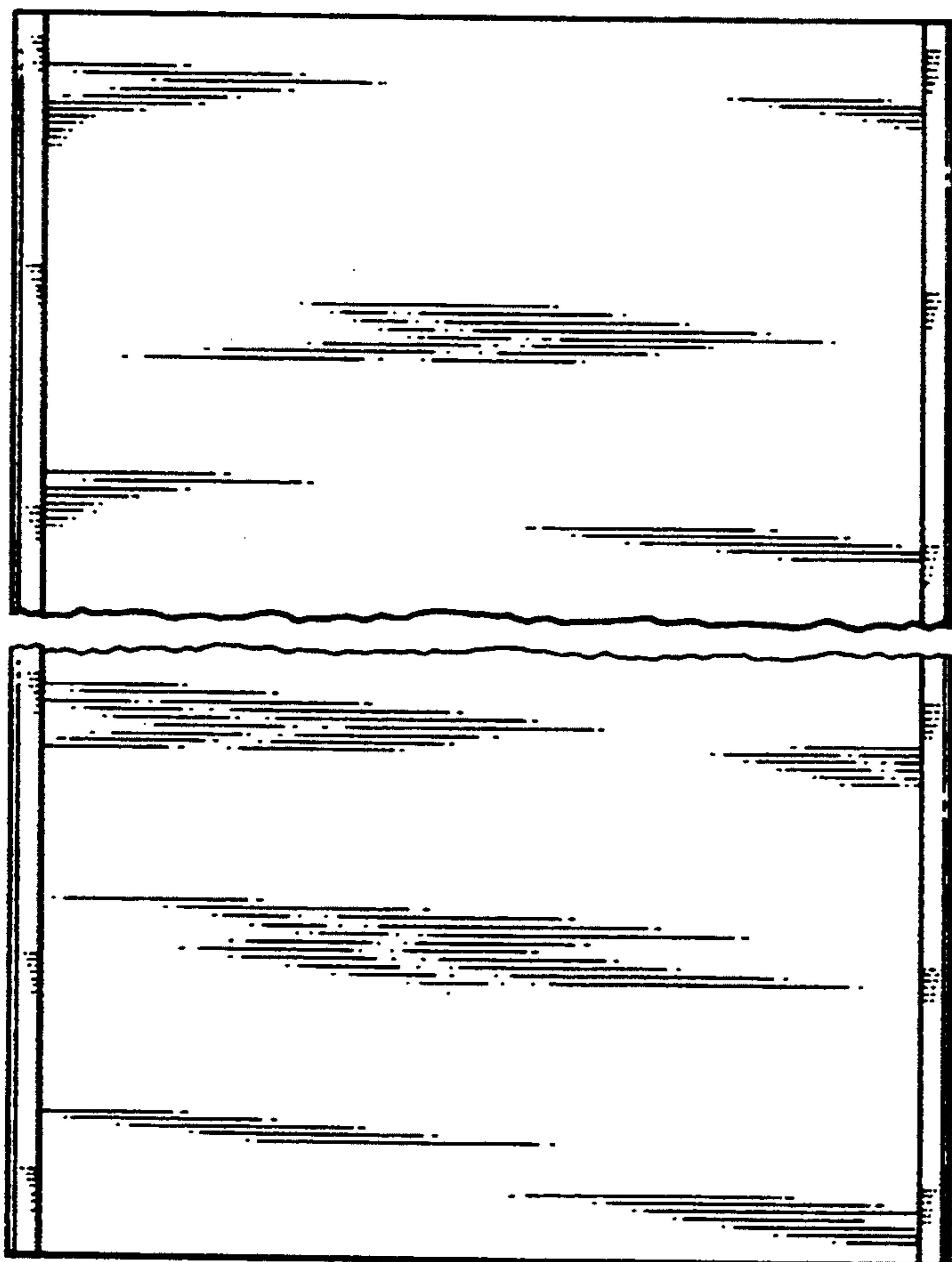


FIG. 2



FIG. 3



FIG. 4

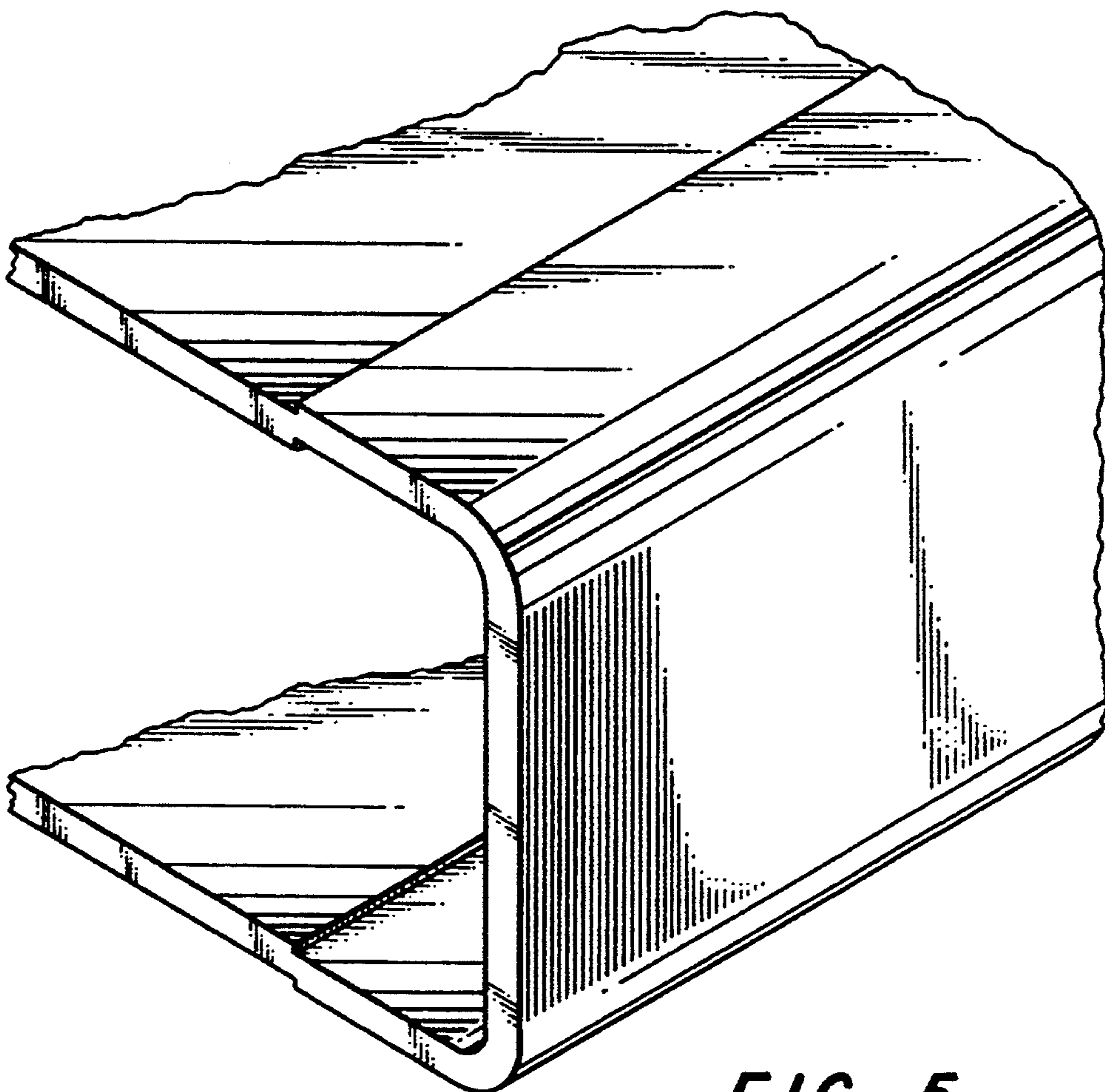


FIG. 5