



US00D355893S

# United States Patent [19]

[11] Patent Number: **Des. 355,893**

Marach et al.

[45] Date of Patent: **\*\* Feb. 28, 1995**

[54] **FUSED ELECTRICAL POWER DISCONNECT**

[56] **References Cited**

[75] Inventors: **David R. Marach, Marengo; Conrad Alfaro, Chicago; Lawrence Happ, Mundelein, all of Ill.**

**U.S. PATENT DOCUMENTS**

D. 313,397 1/1991 Wilcox ..... D13/158  
 D. 320,783 10/1991 Sharp et al. .... D13/160  
 3,806,845 4/1974 Zubaty et al. .... 361/102 X  
 4,654,743 3/1987 Ruehl et al. .... 361/119 X  
 4,958,254 9/1990 Kidd et al. .... 361/119

[73] Assignee: **Cooper Industries, Inc., Houston, Tex.**

**FOREIGN PATENT DOCUMENTS**

0266966 12/1968 Germany ..... 337/10

[\*] Notice: The portion of the term of this patent subsequent to Feb. 21, 2009 has been disclaimed.

*Primary Examiner*—Joel Sincavage  
*Attorney, Agent, or Firm*—Laff, Whitesel, Conte & Saret, Ltd.

[\*\*] Term: **14 Years**

[57] **CLAIM**

The ornamental design for fused electrical power disconnect, as shown and described.

[21] Appl. No.: **16,384**

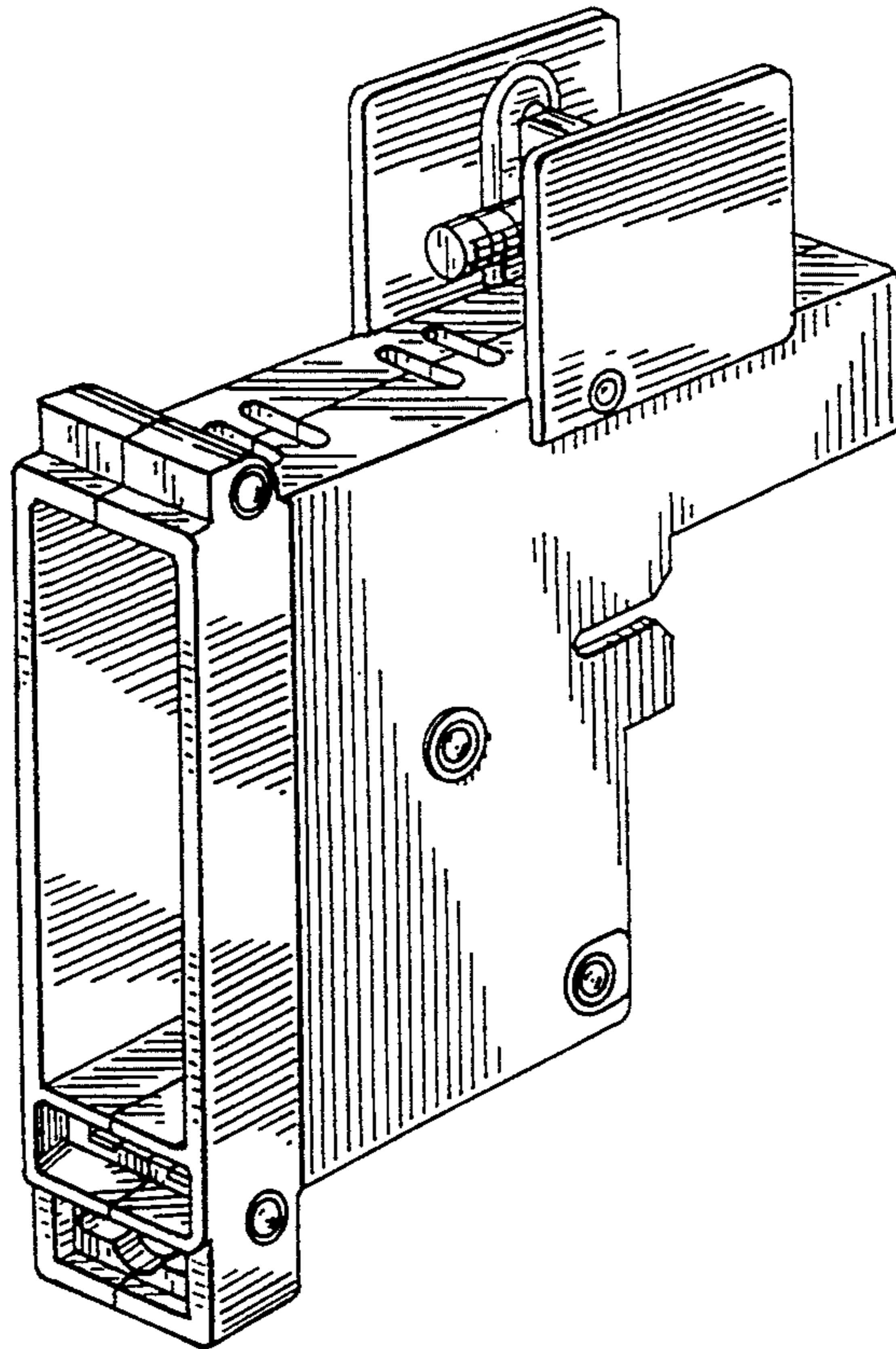
**DESCRIPTION**

[22] Filed: **Dec. 13, 1993**

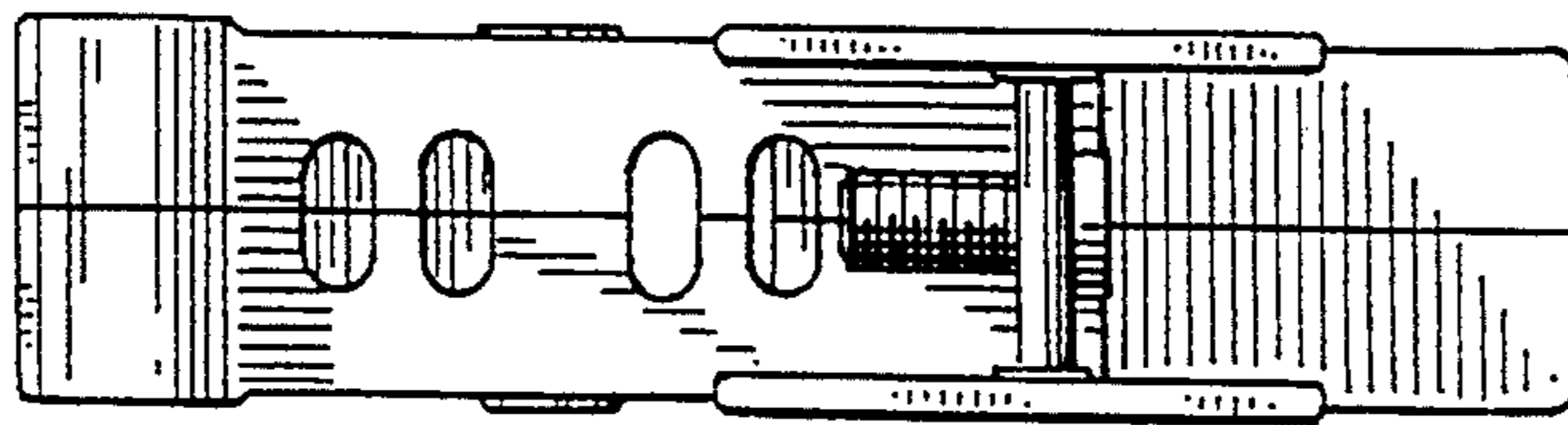
FIG. 1 is a front elevational view of a fused electrical power disconnect shown without the fuse holder; FIG. 2 is a right-hand-side elevation view thereof; FIG. 3 is a top plan view thereof; FIG. 4 is a left-hand-side elevation view thereof; FIG. 5 is a rear elevation view thereof; FIG. 6 is a bottom plan view thereof; FIG. 7 is a front and upper right perspective view thereof; and, FIG. 8 is a rear and lower left perspective view thereof.

### Related U.S. Application Data

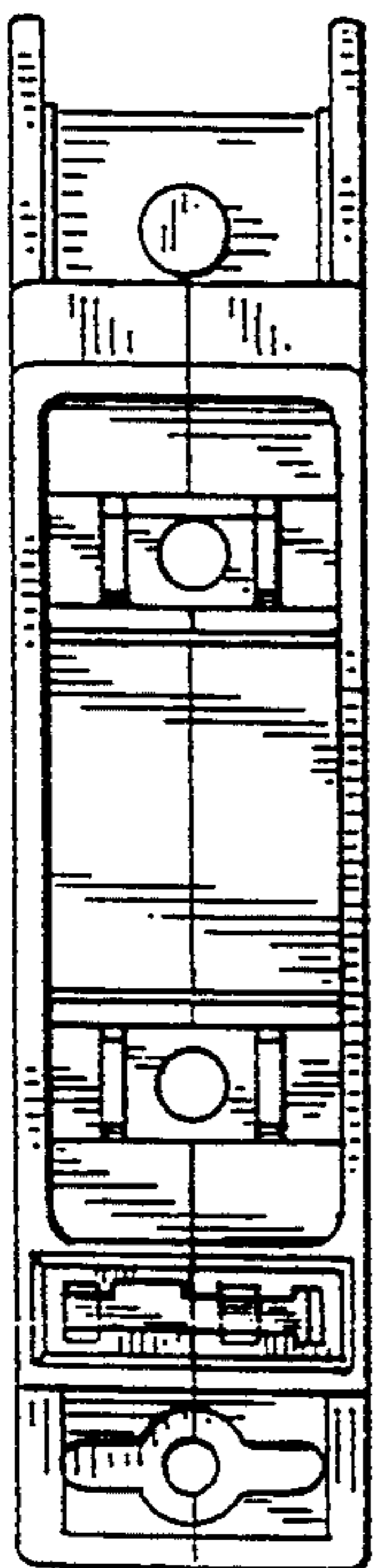
[62] Division of Ser. No. 788,731, Nov. 5, 1991.  
[52] U.S. Cl. .... **D13/160**  
[58] Field of Search ..... **D13/160, 178, 158; 361/124, 186, 331, 348, 356, 102, 119; 337/4, 6, 10**



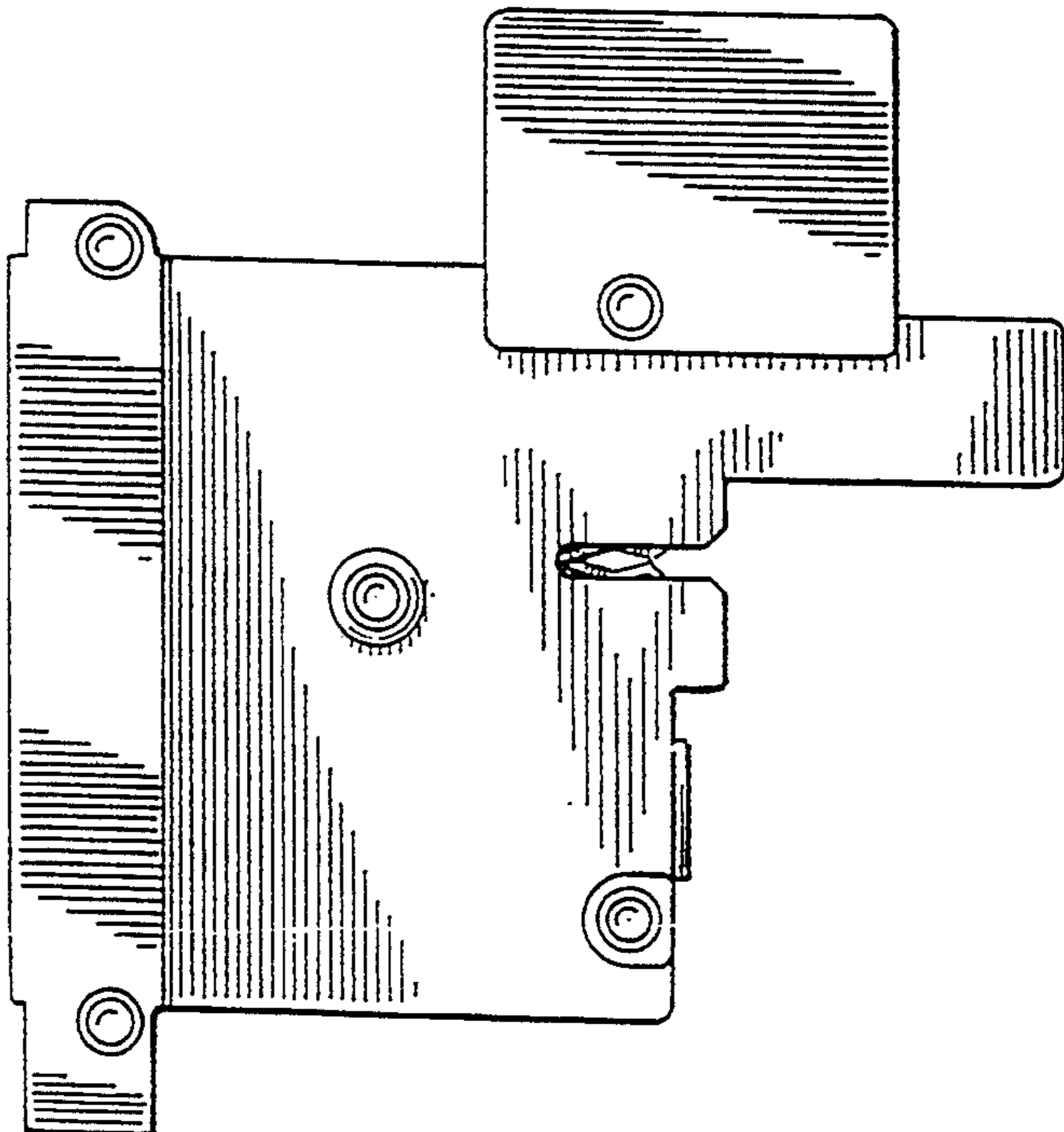
*Fig. 3*



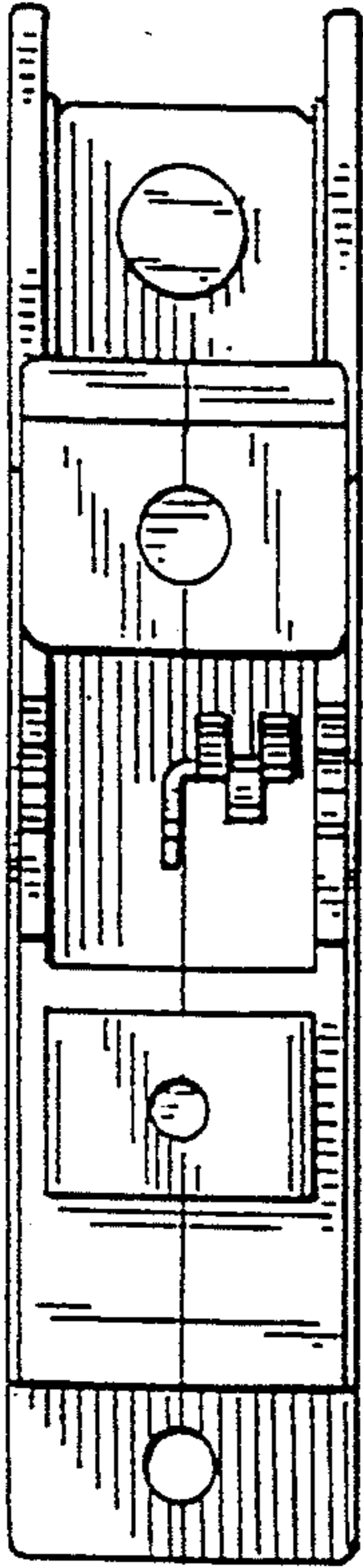
*Fig. 1*



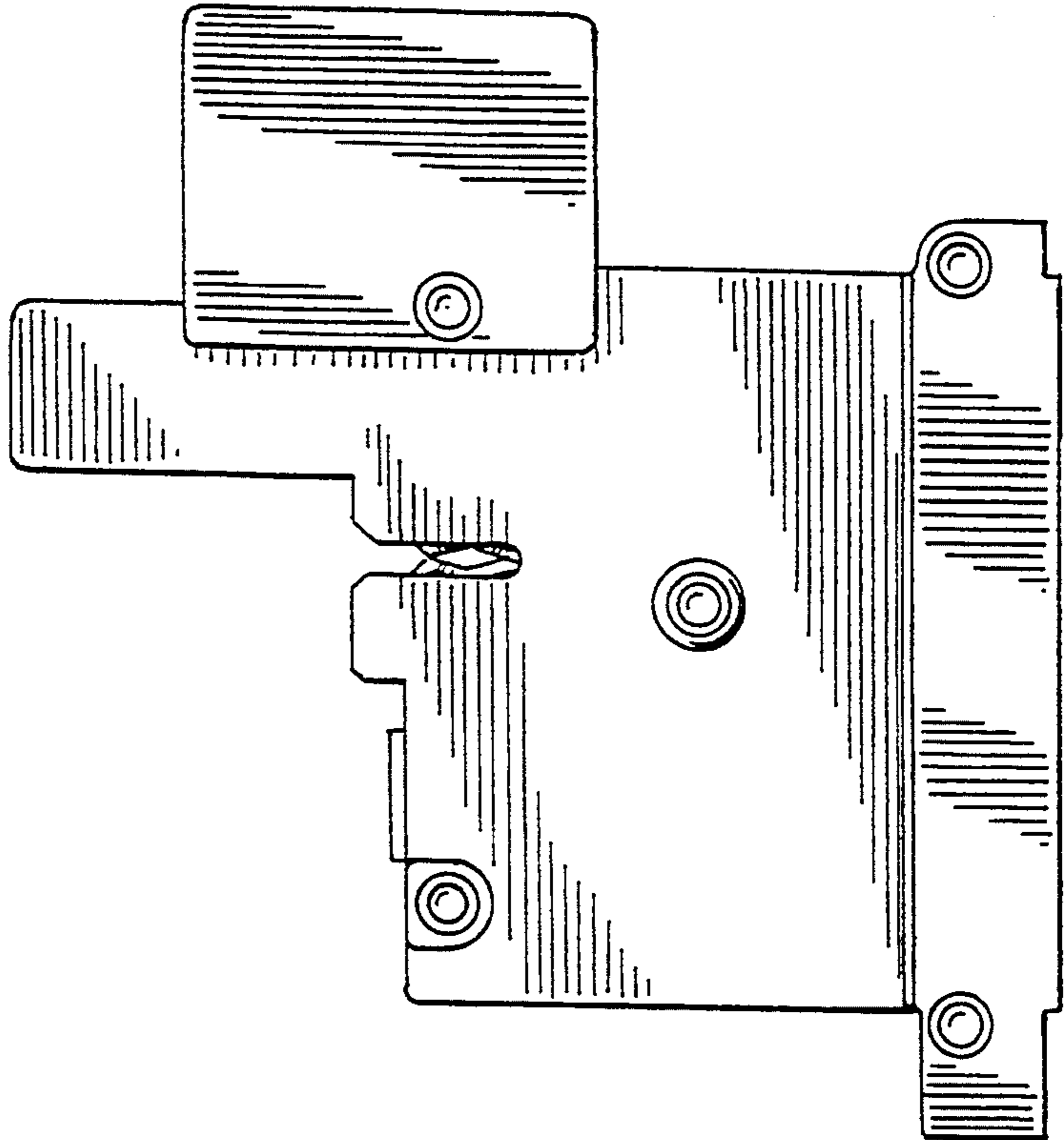
*Fig. 2*



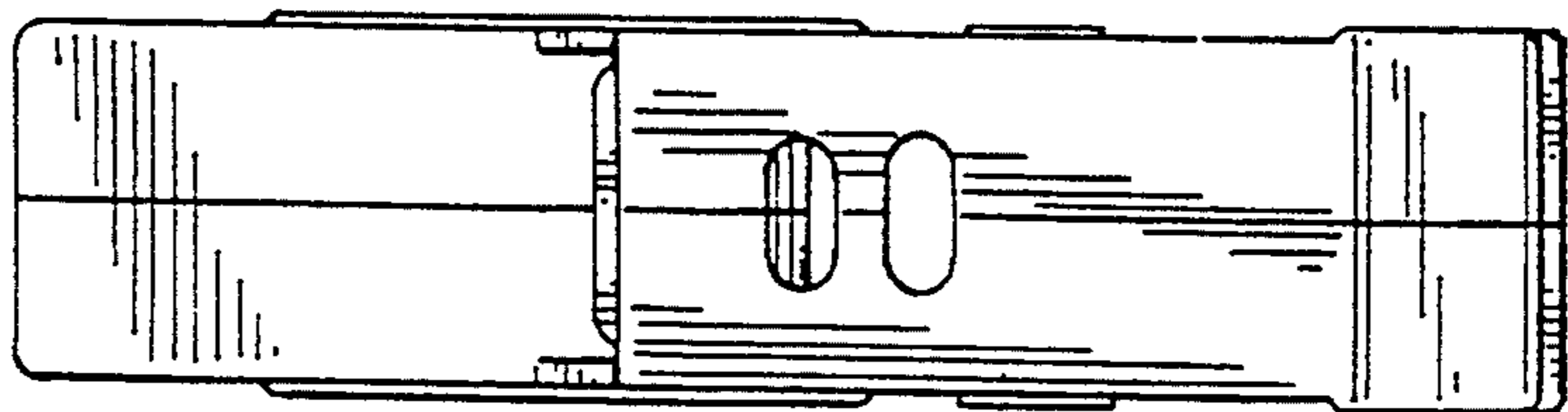
*Fig. 5*



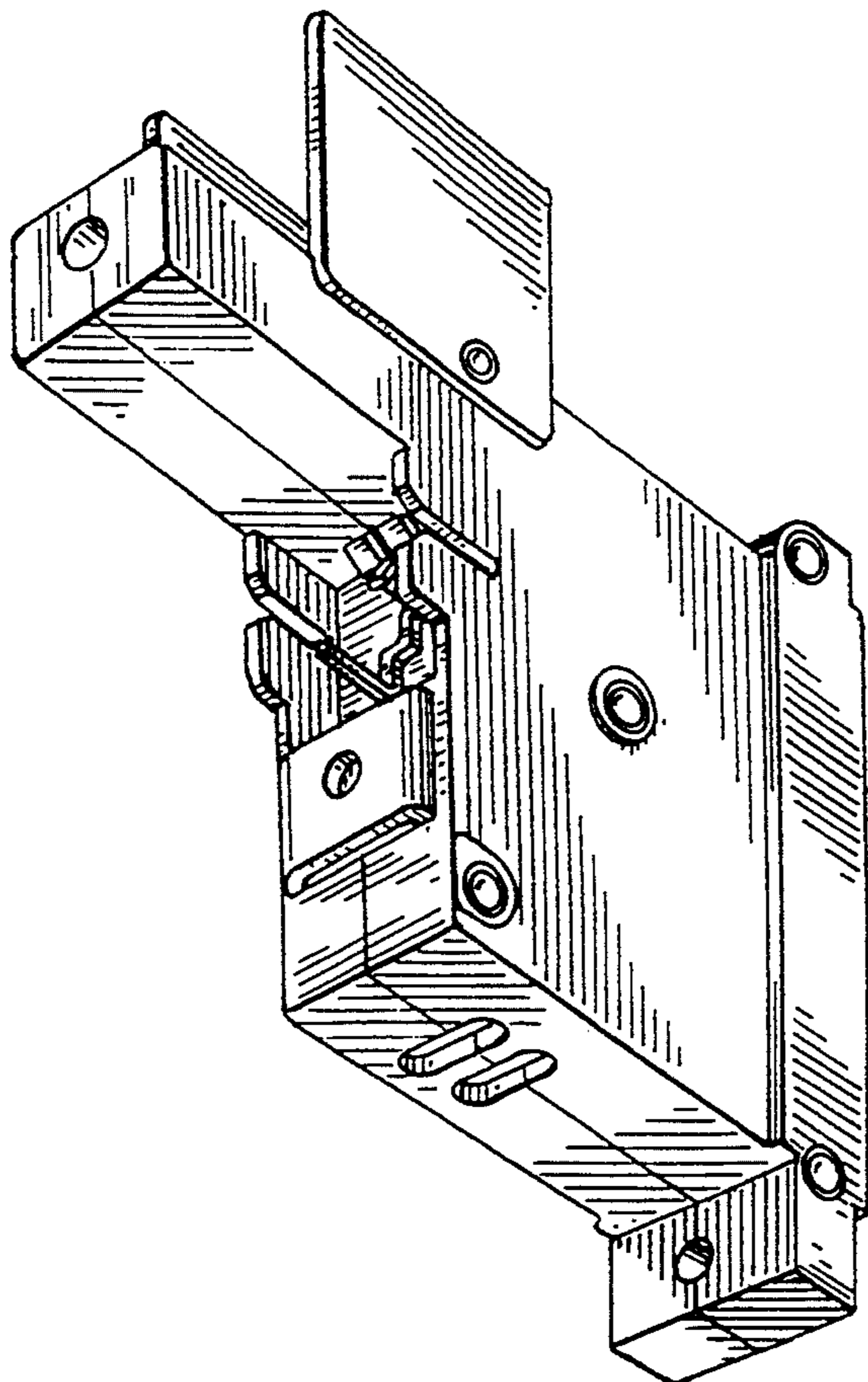
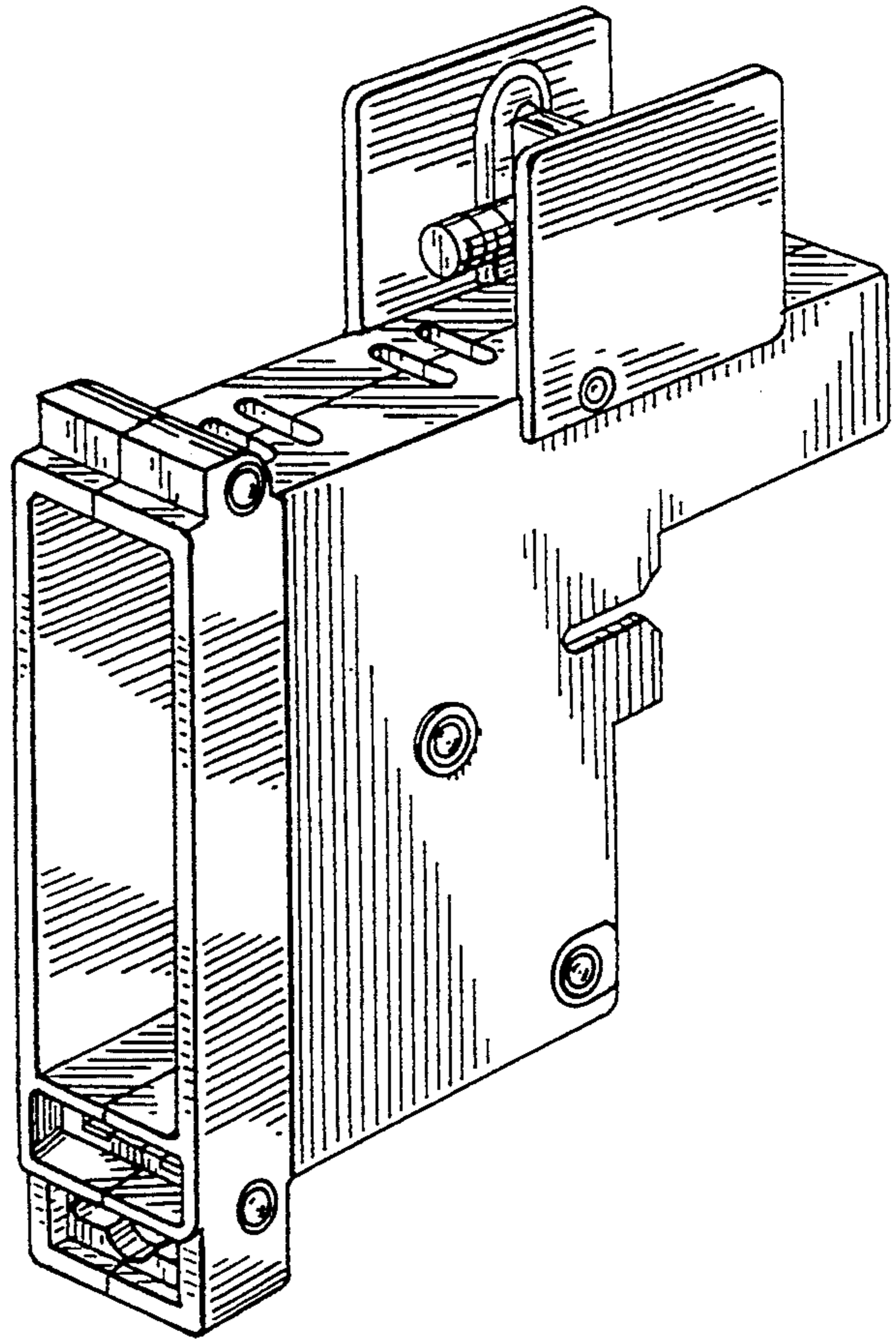
*Fig. 4*



*Fig. 6*



*Fig. 7*



*Fig. 8*