



US00D355892S

United States Patent [19]

[11] Patent Number: **Des. 355,892**

Pyzik

[45] Date of Patent: **** Feb. 28, 1995**

- [54] **PANEL JACK DUST CAP**
- [75] Inventor: **Thomas E. Pyzik**, Naugatuck, Conn.
- [73] Assignee: **Omega Engineering, Inc.**, Stamford, Conn.
- [**] Term: **14 Years**
- [21] Appl. No.: **8,604**
- [22] Filed: **May 19, 1993**
- [52] U.S. Cl. **D13/156**
- [58] Field of Search **D13/154, 156; 439/142, 439/148; 174/46, 67, 138 F**

- 0851514 10/1952 Germany 439/148
- 0326721 2/1958 Switzerland 439/148
- 0935829 9/1963 United Kingdom 439/148

Primary Examiner—Joel Sincavage
Attorney, Agent, or Firm—Howard S. Reiter; Bruce E. Hosmer

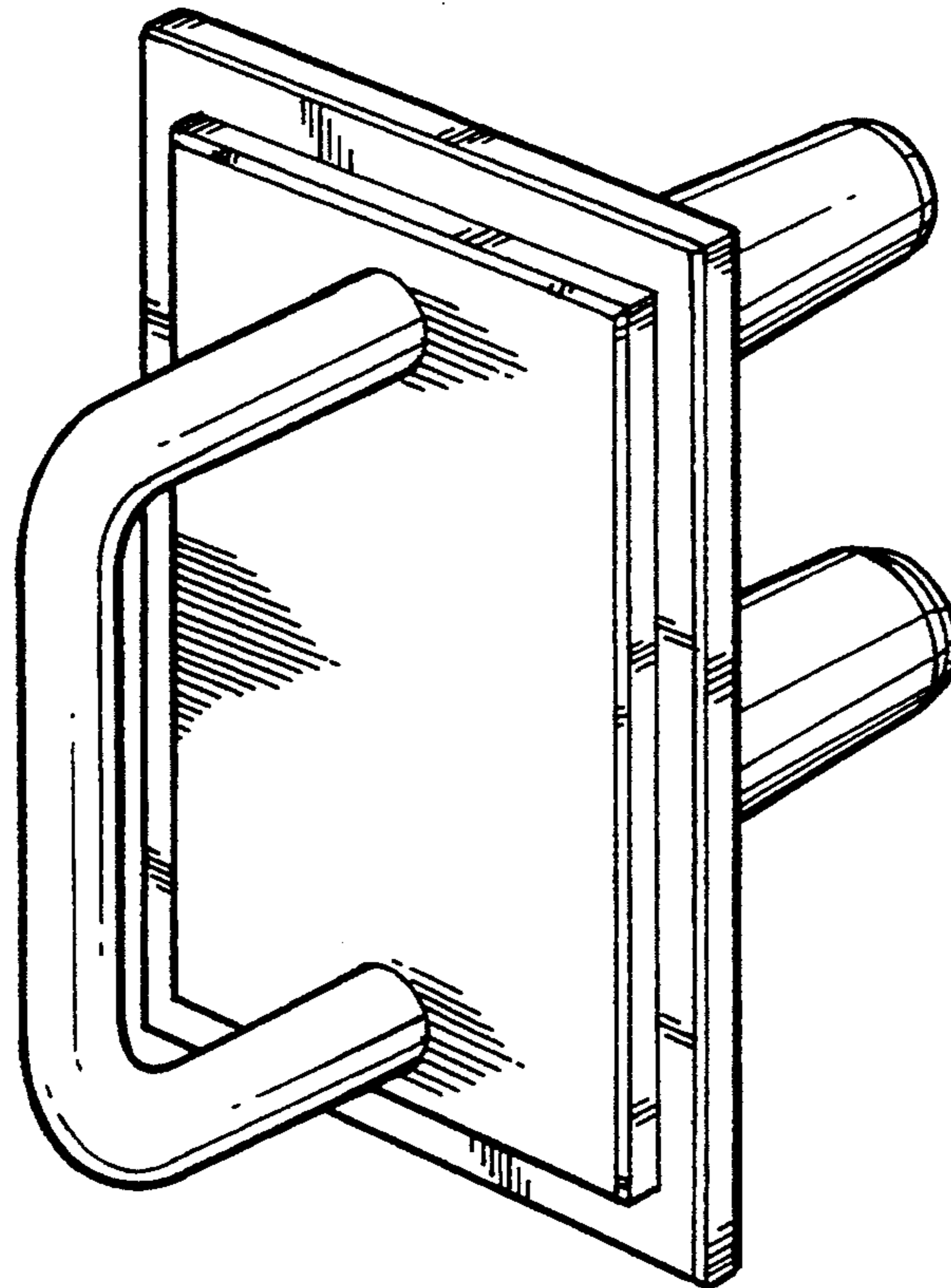
[57] **CLAIM**

The ornamental design for a dust cap for a panel jack, as shown and described.

DESCRIPTION

FIG. 1 is a front and upper right perspective view of a dust cap for a panel jack showing my new design; FIG. 2 is a top plan view thereof; FIG. 3 is a bottom plan view thereof; FIG. 4 is a right side elevational view thereof, the left side elevational view being a mirror image; FIG. 5 is a rear elevational view thereof; and, FIG. 6 is a cross-sectional view of the dust cap for a panel jack taken along line "6—6" as shown in FIG. 5.

- [56] **References Cited**
- U.S. PATENT DOCUMENTS**
- 4,156,794 5/1979 Robinson 174/46 X
- FOREIGN PATENT DOCUMENTS**
- 0644812 3/1964 Belgium 439/148
- 1192754 10/1959 France 174/67



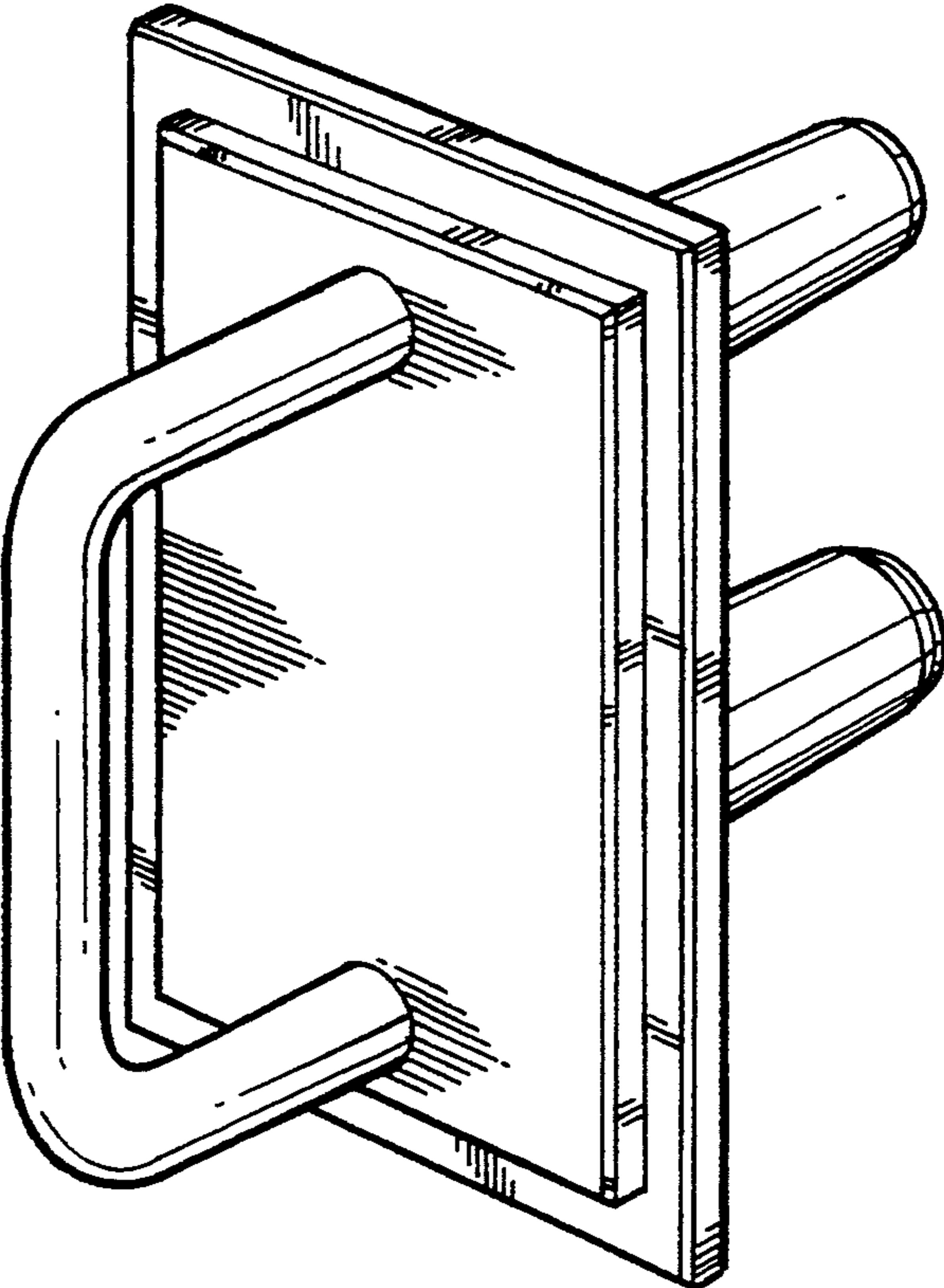


FIG. 1

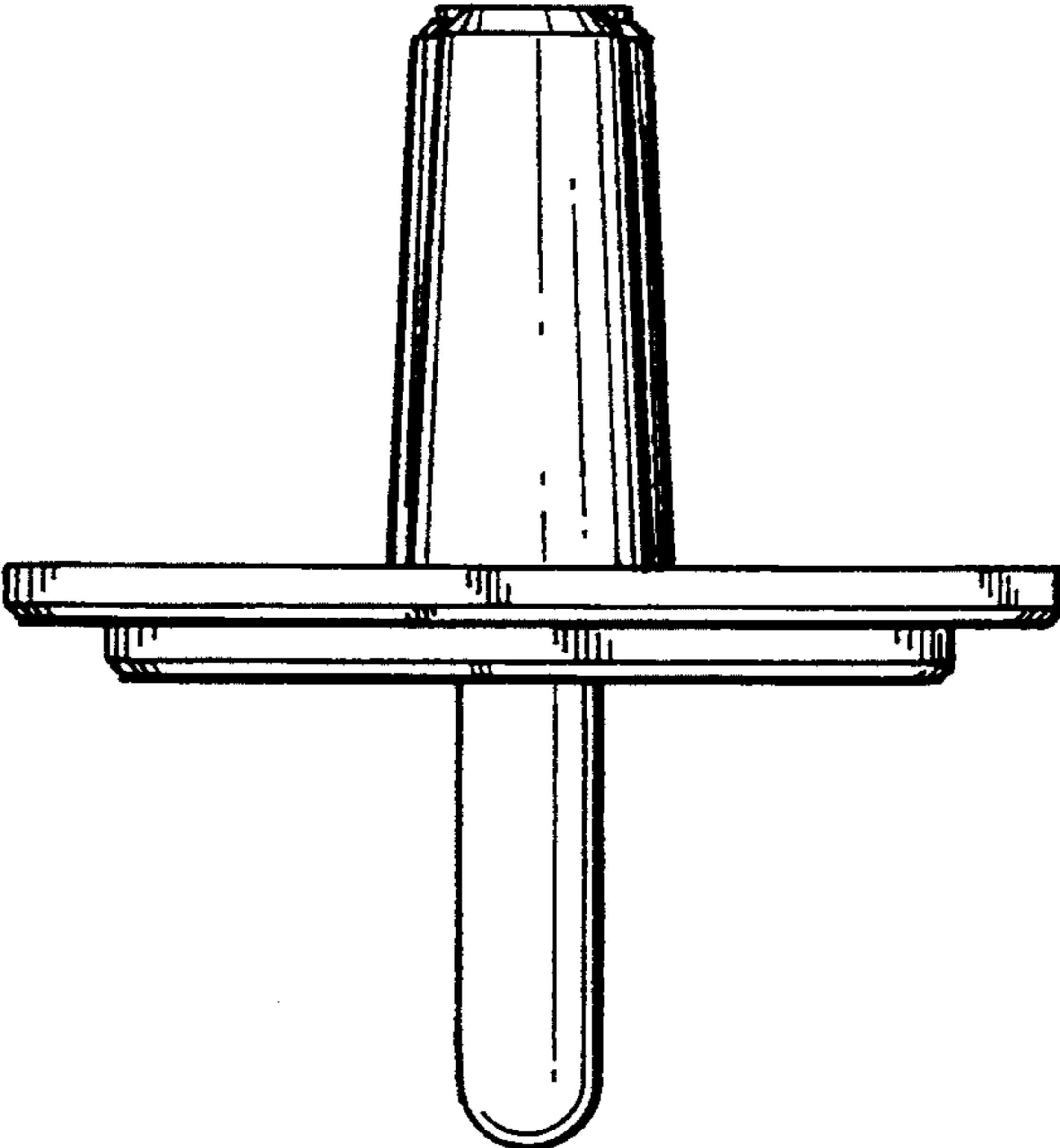


FIG. 2

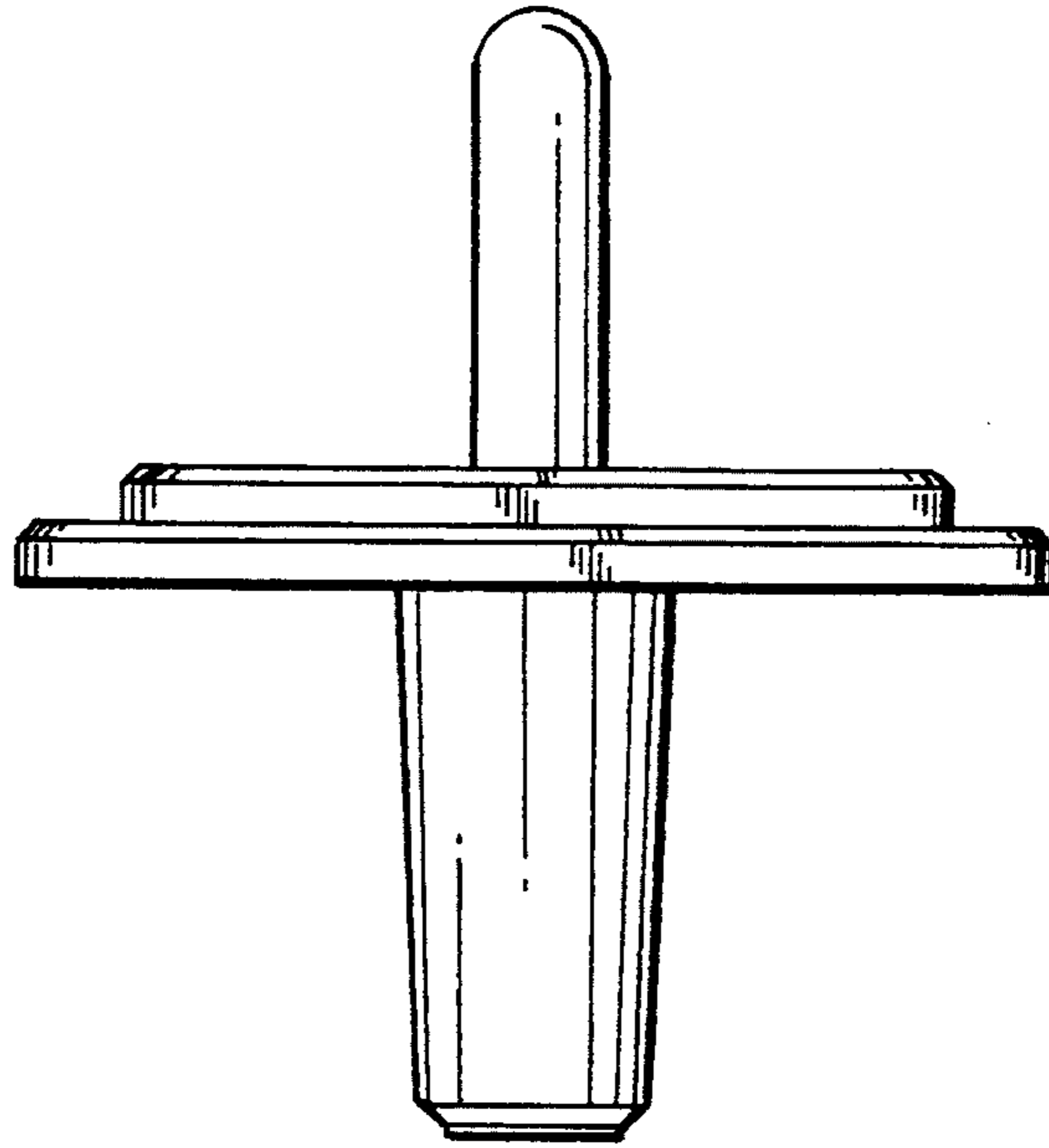


FIG. 3

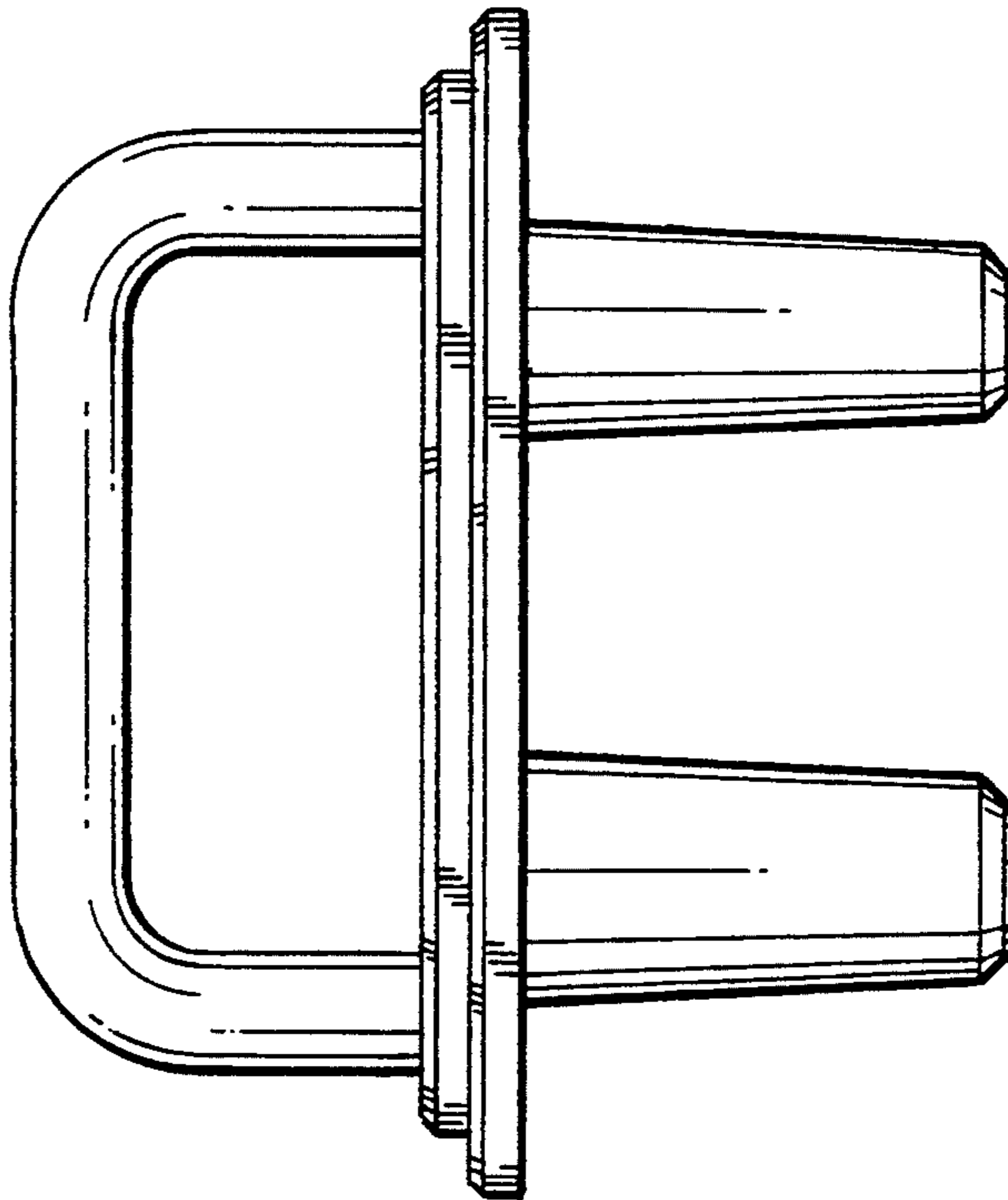


FIG. 4

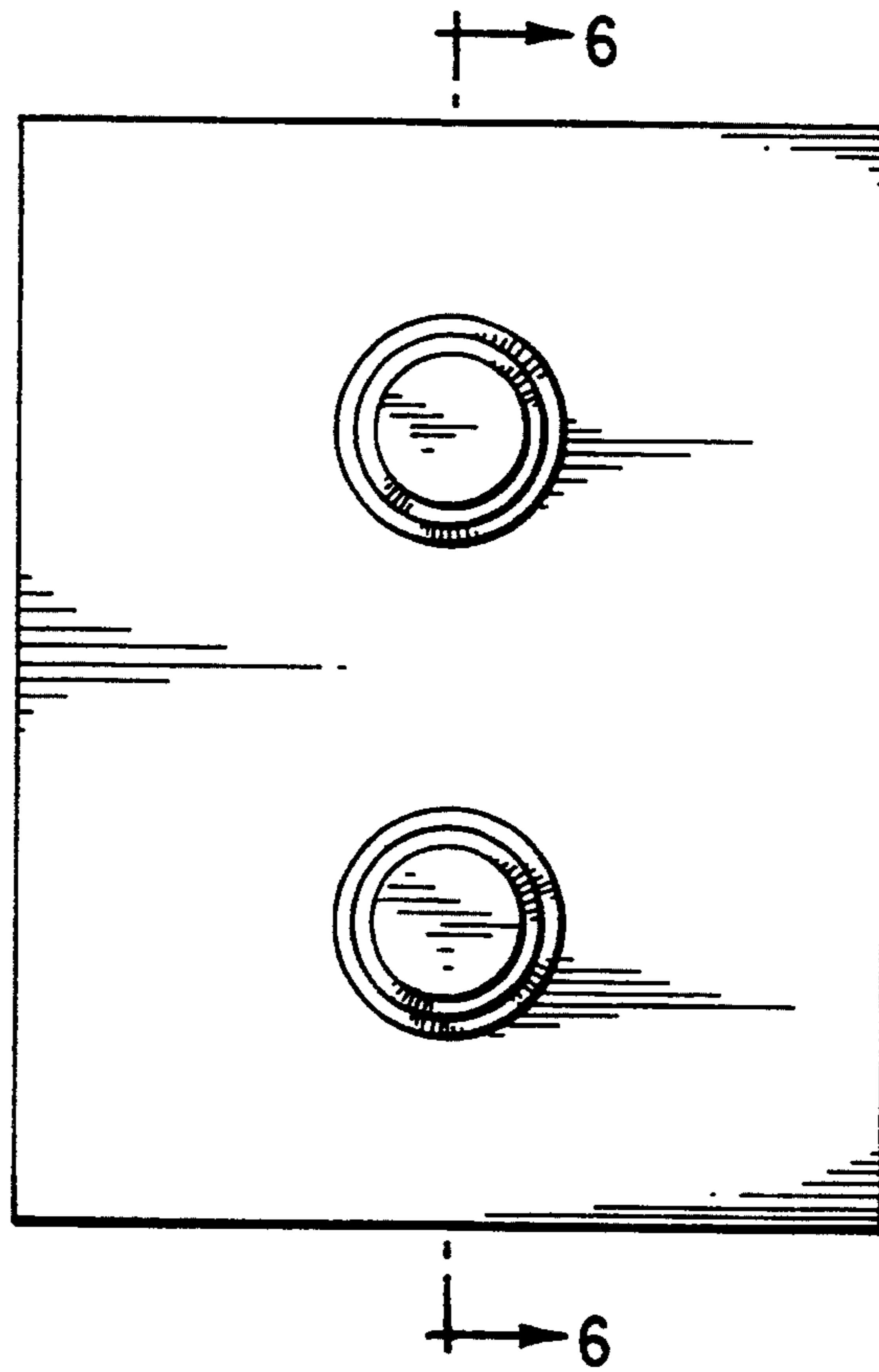


FIG. 5

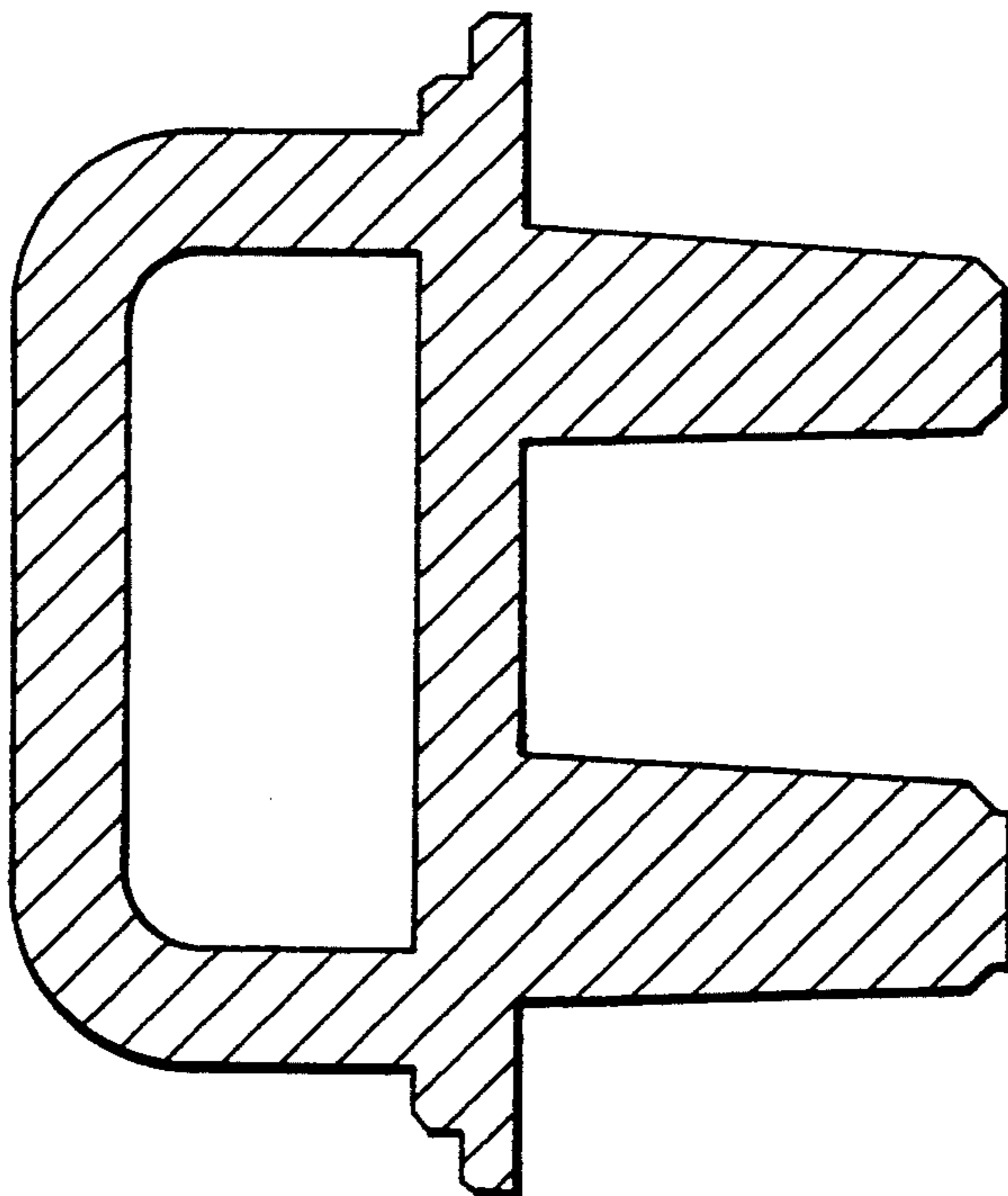


FIG. 6