



US00D355889S

United States Patent [19]

[11] Patent Number: **Des. 355,889**

Salvati et al.

[45] Date of Patent: **** Feb. 28, 1995**

[54] **POWER CORD RETRACTOR**

[76] Inventors: **Joseph A. Salvati; Norma Salvati**, both of 9 Crescent La., Putnam Valley, N.Y. 10579

[**] Term: **14 Years**

[21] Appl. No.: **4,475**

[22] Filed: **Feb. 1, 1993**

[52] U.S. Cl. **D13/140**

[58] Field of Search **D13/140, 133; 191/12.2 R, 12.2 A, 12.4; 242/96, 107, 107.1, 107.7; 439/4, 501**

[56] **References Cited**

U.S. PATENT DOCUMENTS

4,901,938 2/1990 Cantley et al. 242/207.1
5,011,447 4/1991 Watanabe 242/96 X

FOREIGN PATENT DOCUMENTS

84775 6/1980 Japan 242/107.7

Primary Examiner—Joel Sincavage
Attorney, Agent, or Firm—Martin J. Spellman, Jr.

[57] **CLAIM**

The ornamental design for a power cord retractor, as shown and described.

DESCRIPTION

FIG. 1 is a perspective view of the power cord retractor showing our new design associated with a hair drier appliance. The broken line showing of the hair dryer and power cord is included for the purpose of illustrating environmental elements and structure only and form no part of the claimed design;

FIG. 2 is a front plan view of the power cord retractor in FIG. 1;

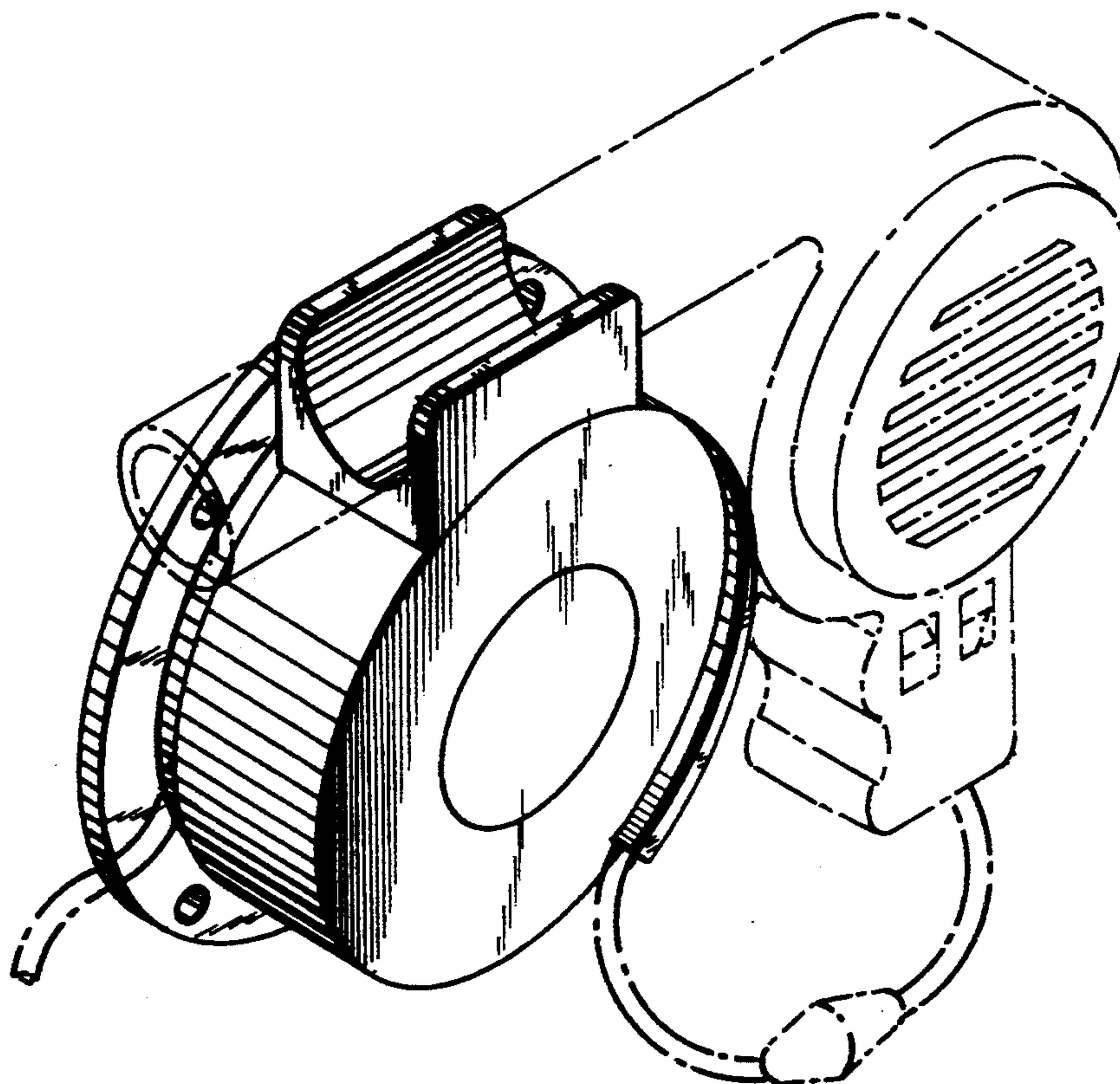
FIG. 3 is a top plan view of the power cord retractor in FIG. 1;

FIG. 4 is a rear plan view of the power cord retractor in FIG. 1;

FIG. 5 is a bottom plan view of the power cord retractor in FIG. 1;

FIG. 6 is a left side view of the power cord retractor in FIG. 1; and,

FIG. 7 is a right side view of the power cord retractor in FIG. 1.



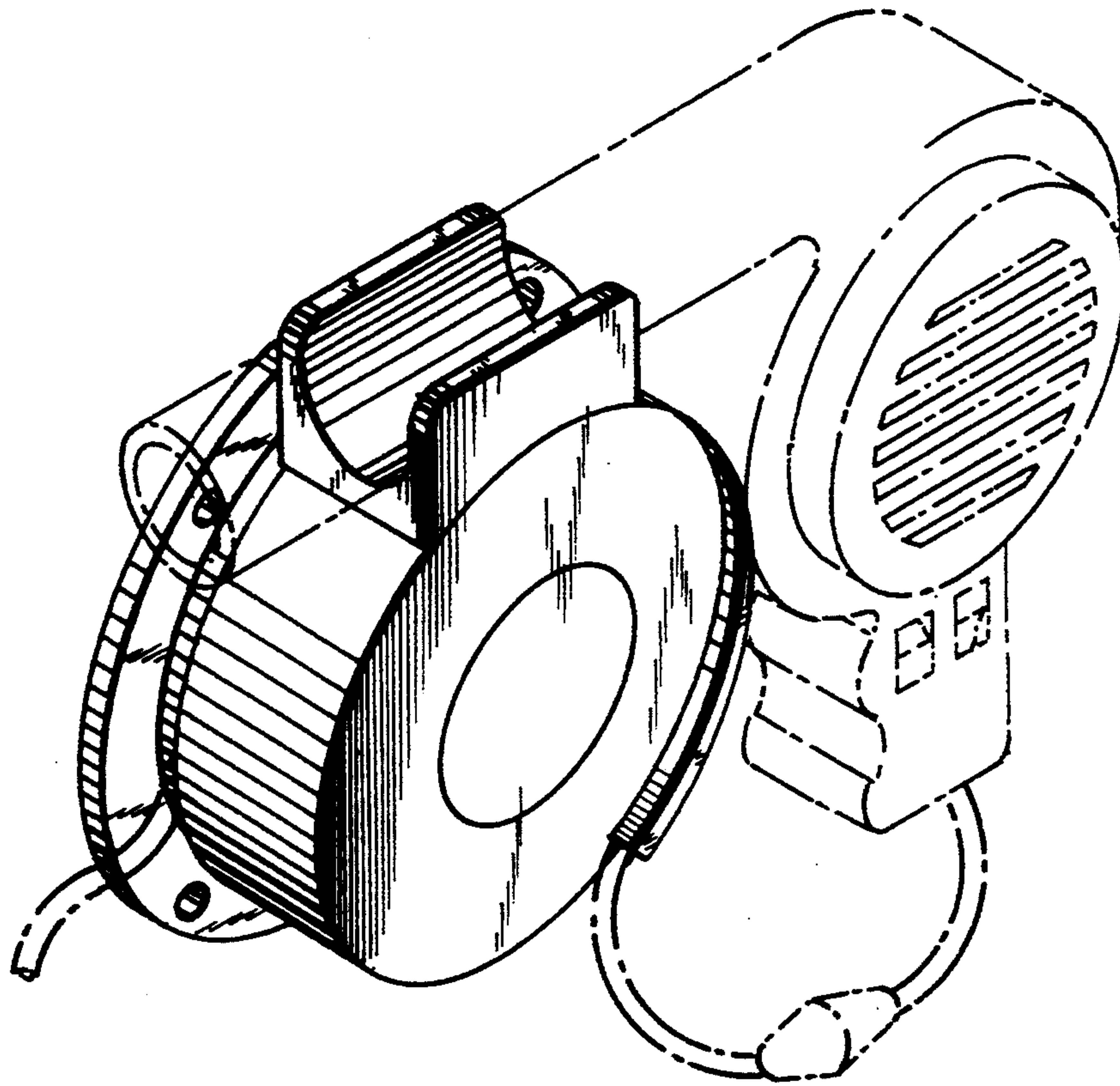


FIG. 1

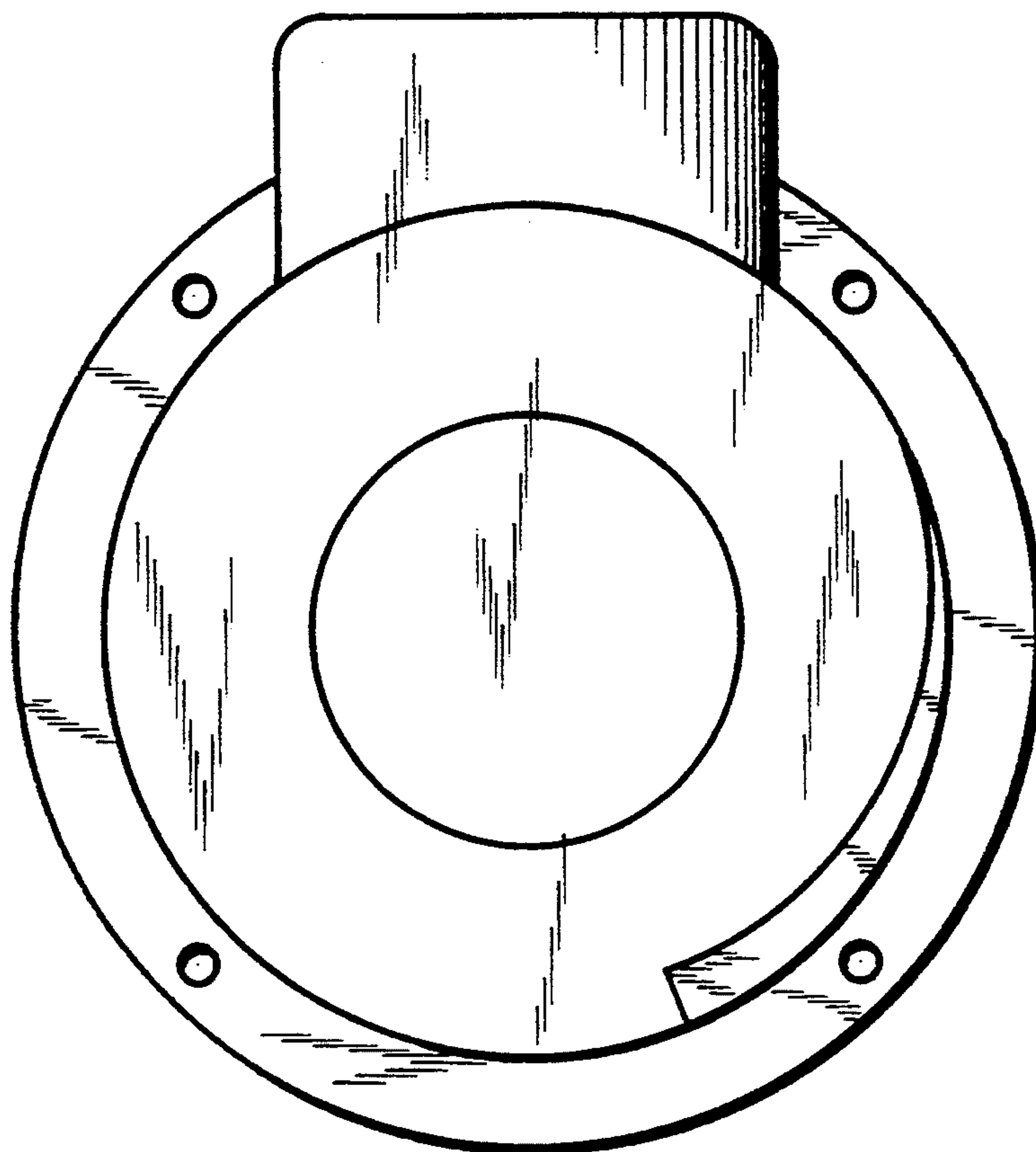


FIG. 2

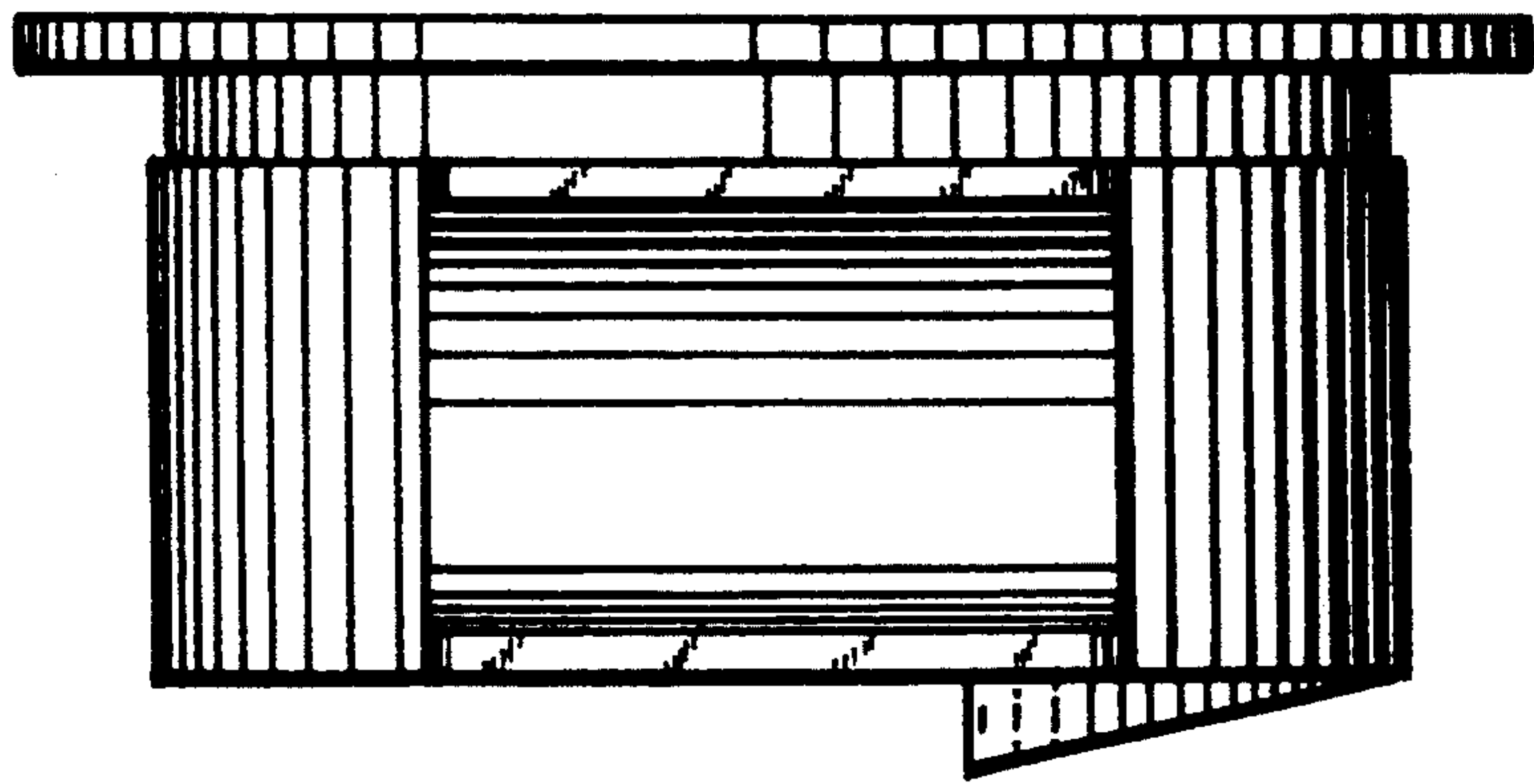


FIG.3

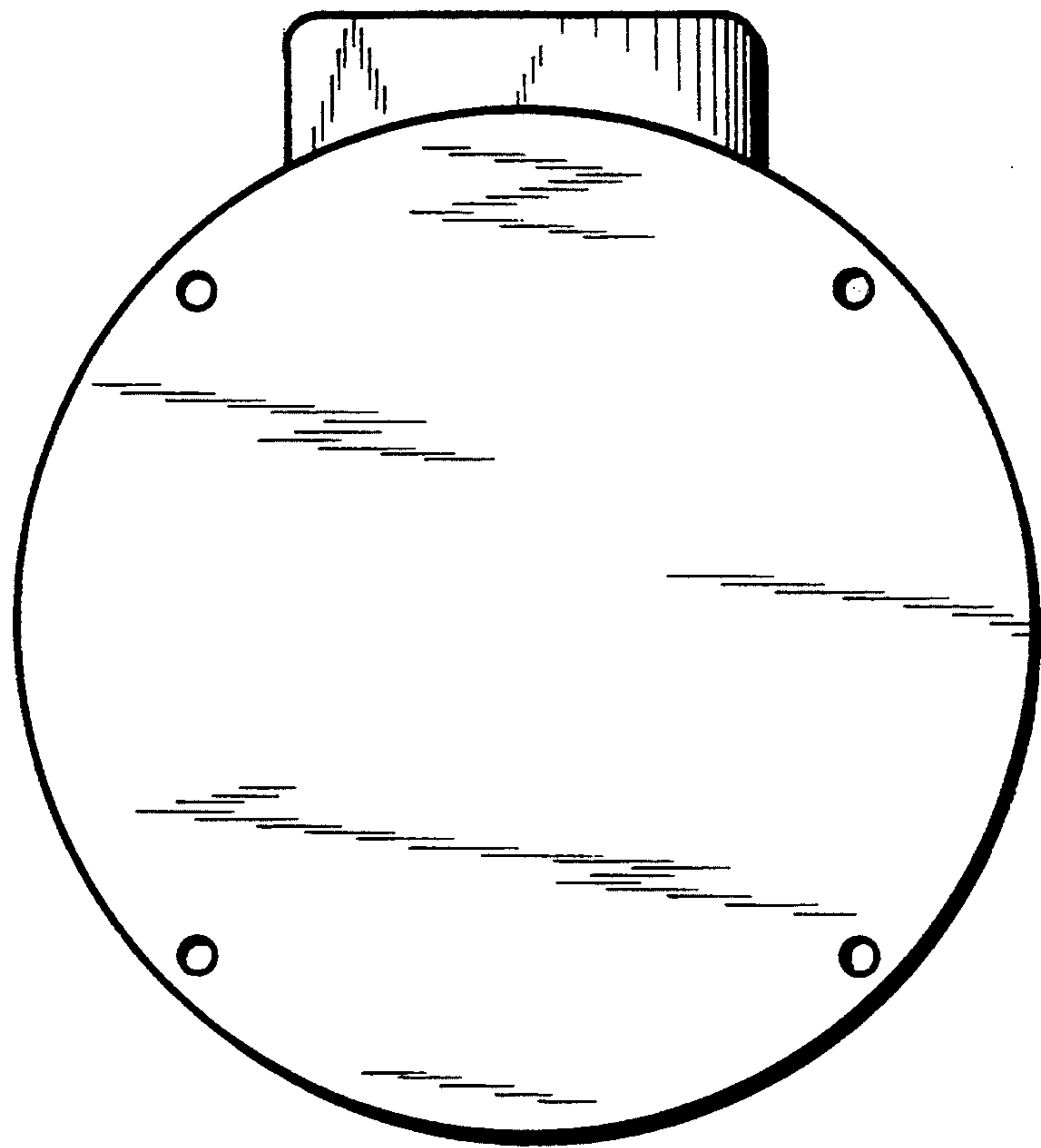


FIG.4

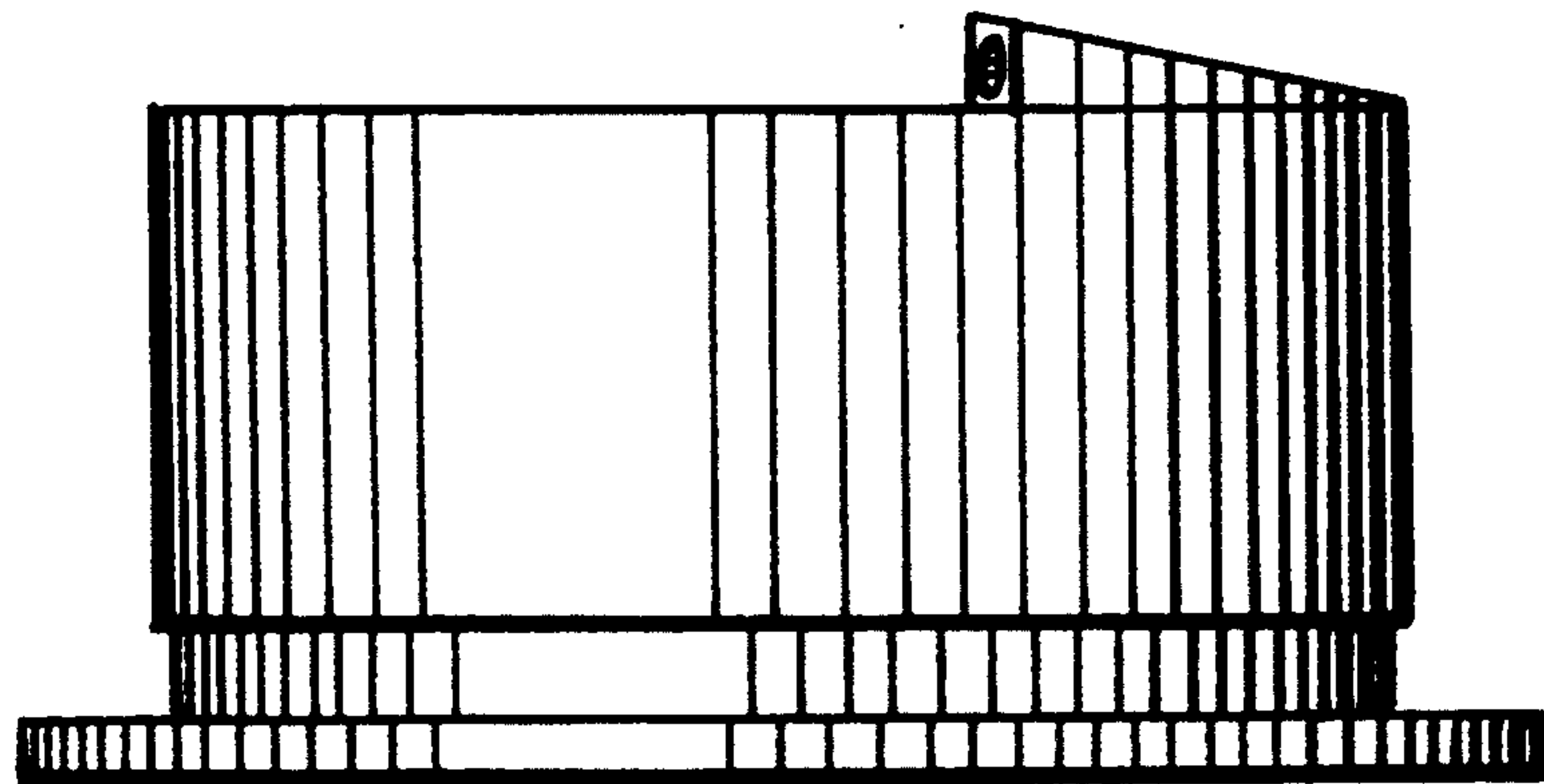


FIG.5

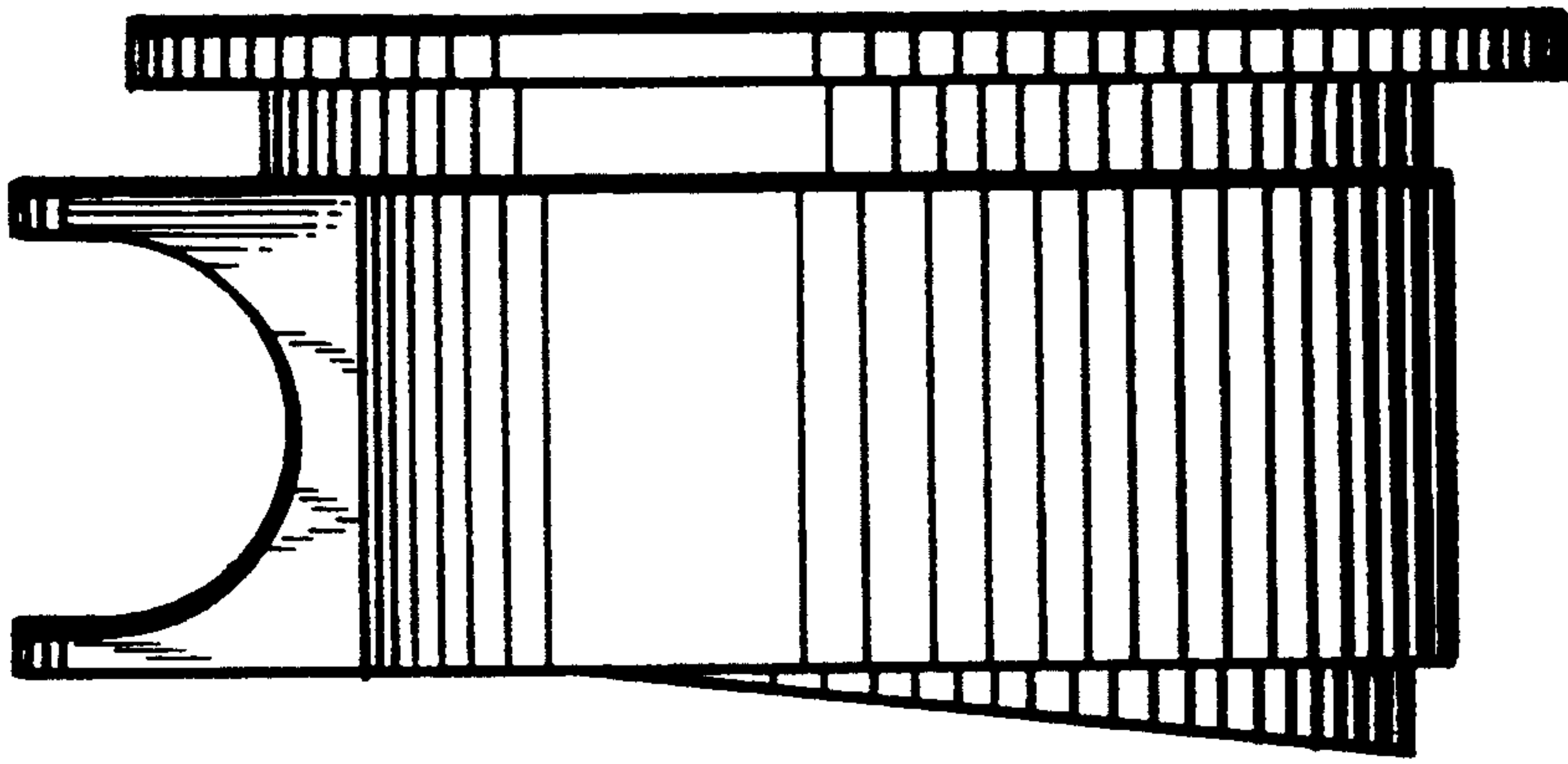


FIG. 7

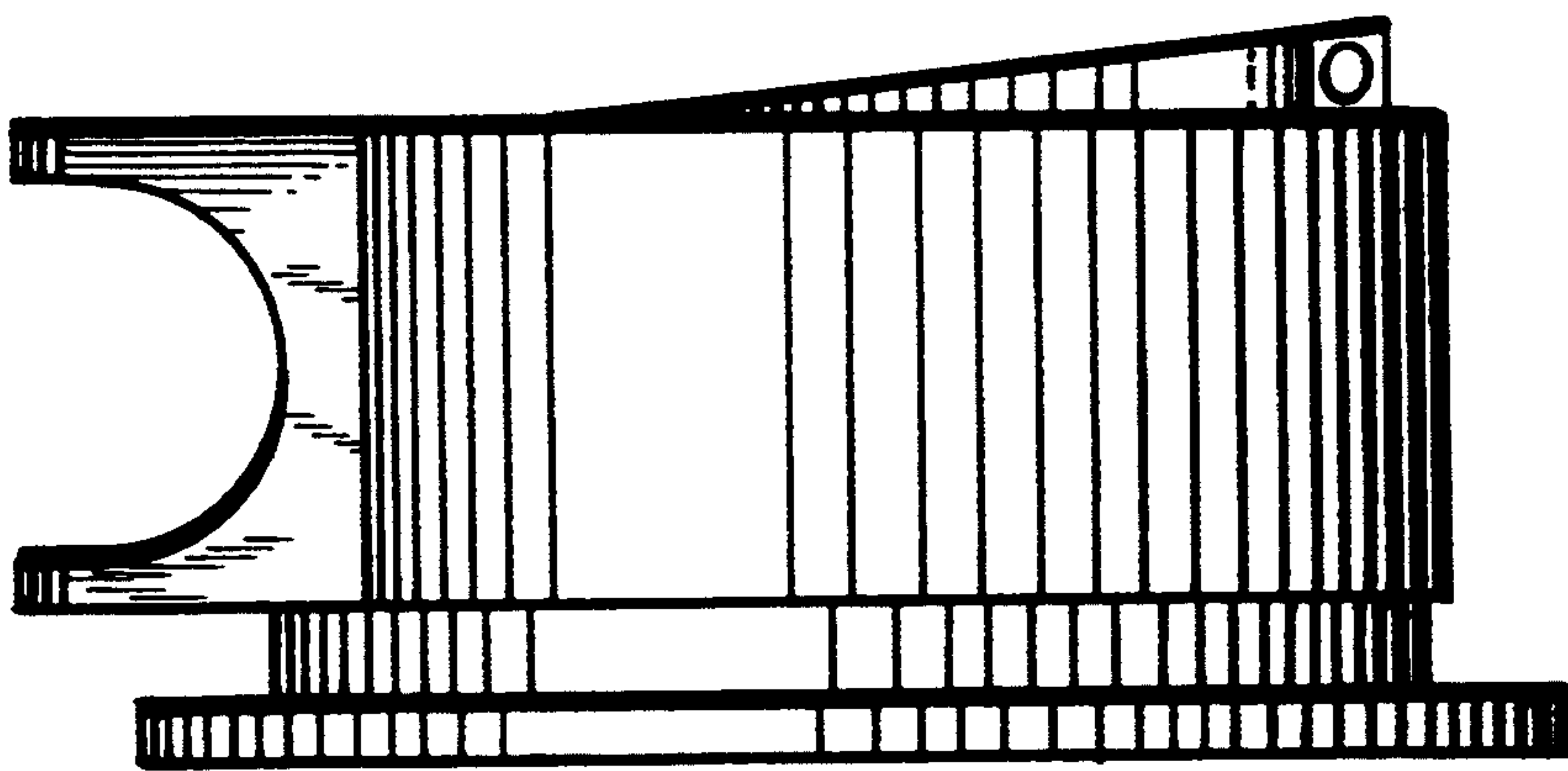


FIG. 6