



US00D355887S

United States Patent [19]

[11] Patent Number: **Des. 355,887**

Rodeffer et al.

[45] Date of Patent: **** Feb. 28, 1995**

[54] POWER SUPPLY HOUSING

[75] Inventors: **Charles E. Rodeffer; Randy L. Sperry**, both of Burlington, Iowa

[73] Assignee: **Winegard Company**, Burlington, Iowa

[**] Term: **14 Years**

[21] Appl. No.: **18,734**

[22] Filed: **Feb. 14, 1994**

[52] U.S. Cl. **D13/110**

[58] Field of Search **D13/110, 123, 162; 307/150; 336/90; 363/15; 361/730, 752, 728, 836**

[56] References Cited

U.S. PATENT DOCUMENTS

- D. 191,871 12/1961 Maecker D13/110
- D. 271,684 12/1983 Berry, Jr. D13/123 X
- D. 319,425 8/1991 Bibbiani D13/162 X
- D. 338,653 8/1993 Morgan et al. D13/110
- 4,342,946 8/1982 Valenzona et al. 361/728 X
- 4,840,286 6/1989 Heberling et al. 361/728 X
- 5,283,712 2/1994 Michihira et al. 361/752 X

FOREIGN PATENT DOCUMENTS

- 2662325 11/1991 France 361/730

OTHER PUBLICATIONS

Power supplies on p. 235 of *HongKong Enterprise*, Oct. 1989.

Primary Examiner—Joel Sincavage
Attorney, Agent, or Firm—Dorr, Carson, Sloan & Peterson

[57] CLAIM

The ornamental design for a power supply housing, as shown and described.

DESCRIPTION

FIG. 1 is a perspective view of a power supply housing showing our new design;

FIG. 2 is a right side elevational view thereof, the left side elevational view thereof being a mirror image;

FIG. 3 is a top plane view thereof;

FIG. 4 is a front elevational view thereof;

FIG. 5 is a rear elevational view thereof; and,

FIG. 6 is a bottom plane view thereof.

The broken lines in FIGS. 1, 3, 5 and 6 are included for the purpose of illustrating holes in the article, per se, in which the design is embodied and form no part of the claimed design.

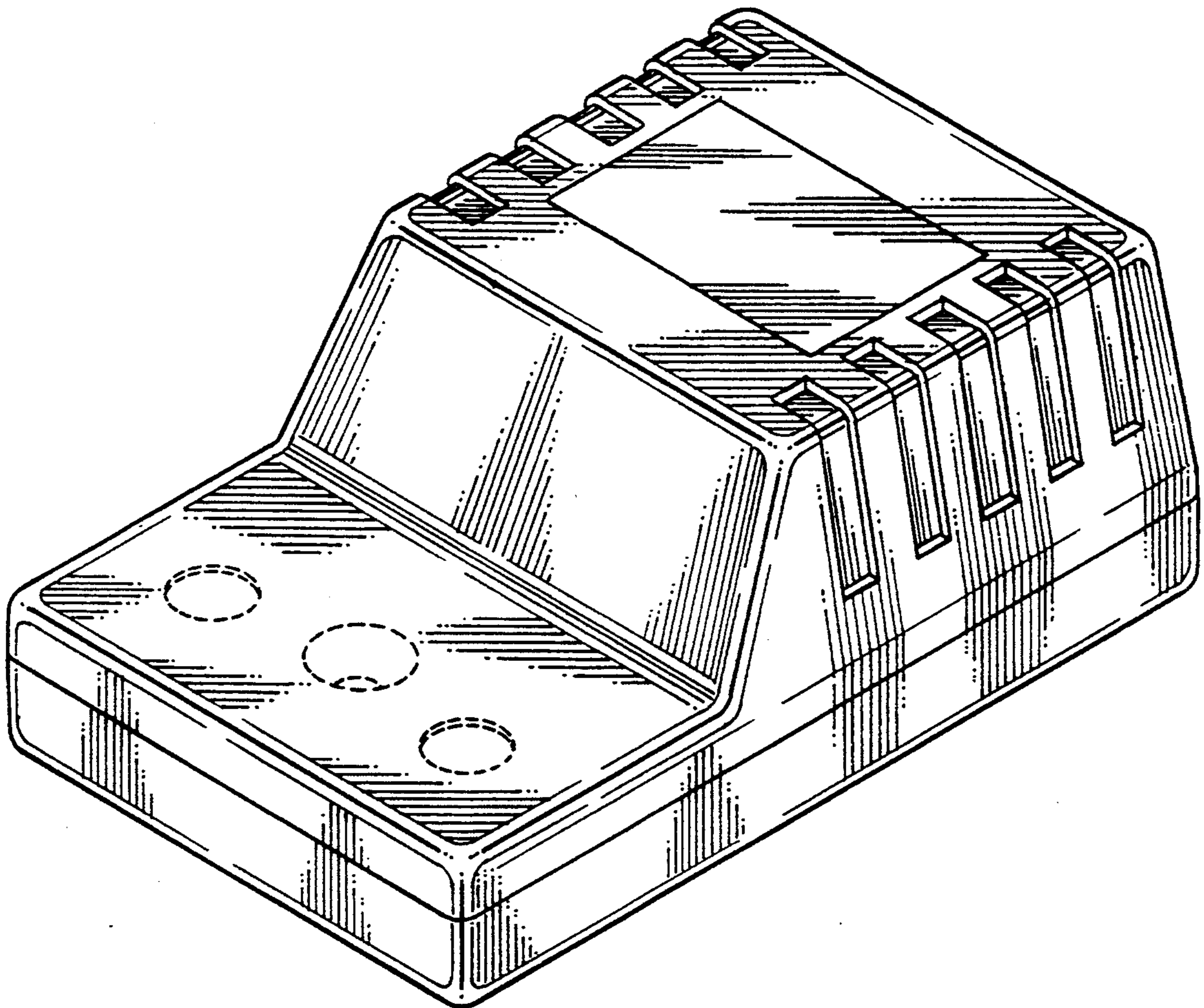


Fig. 1

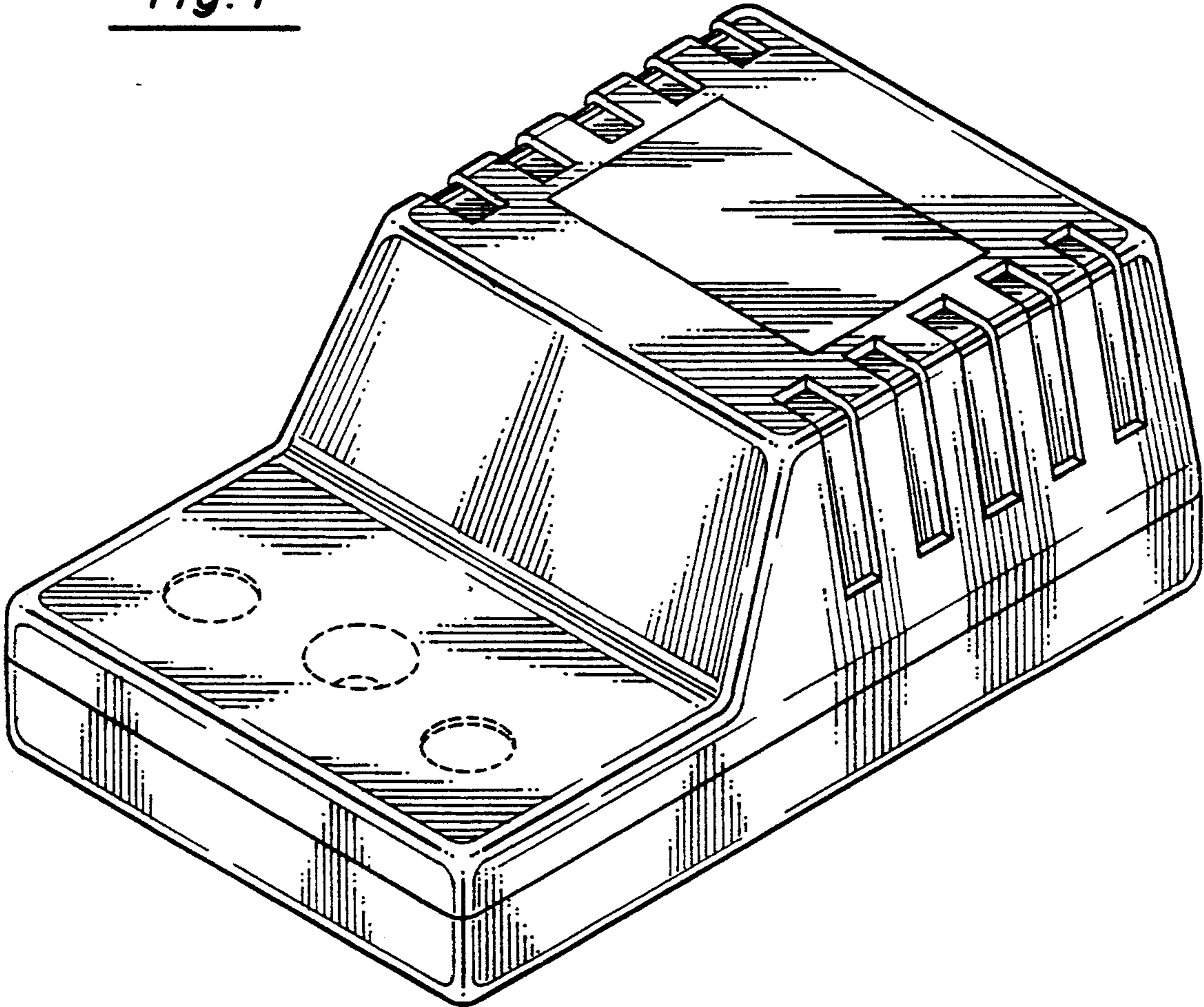


Fig. 2

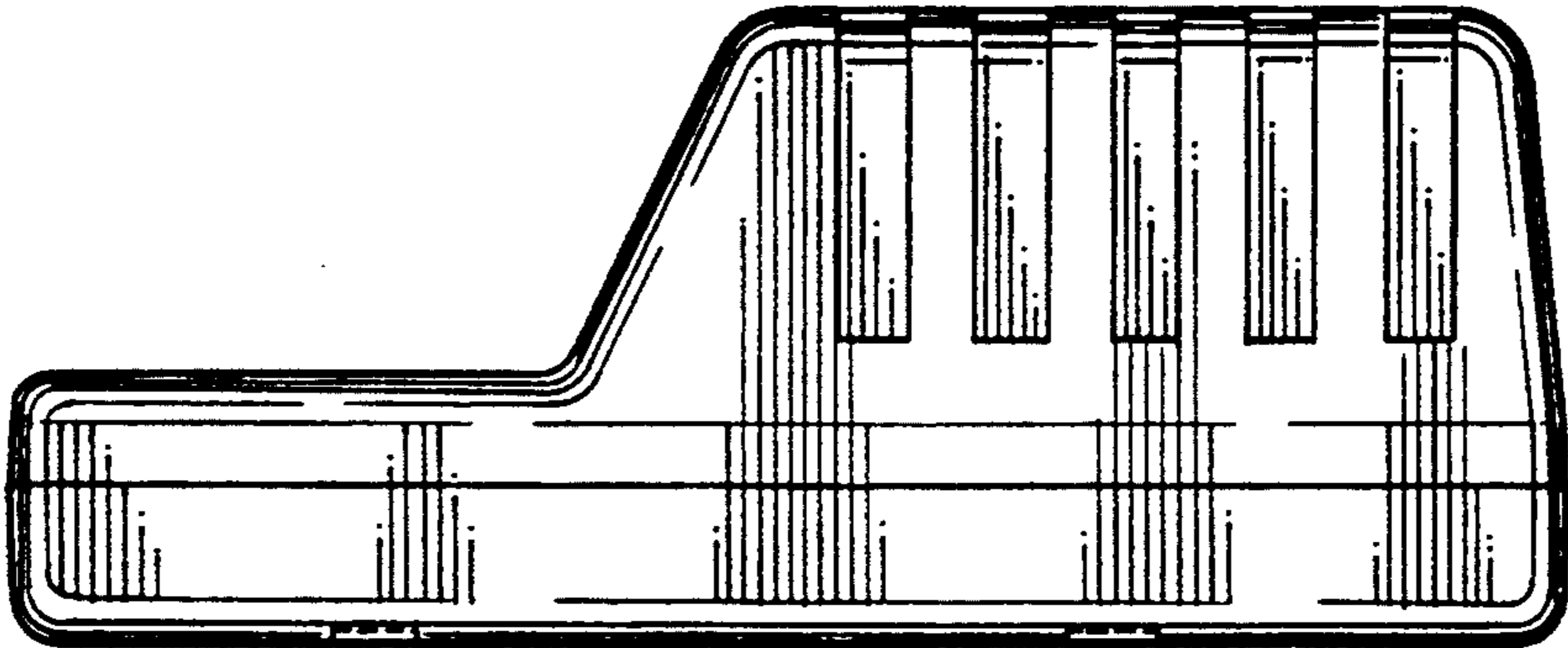


Fig. 3

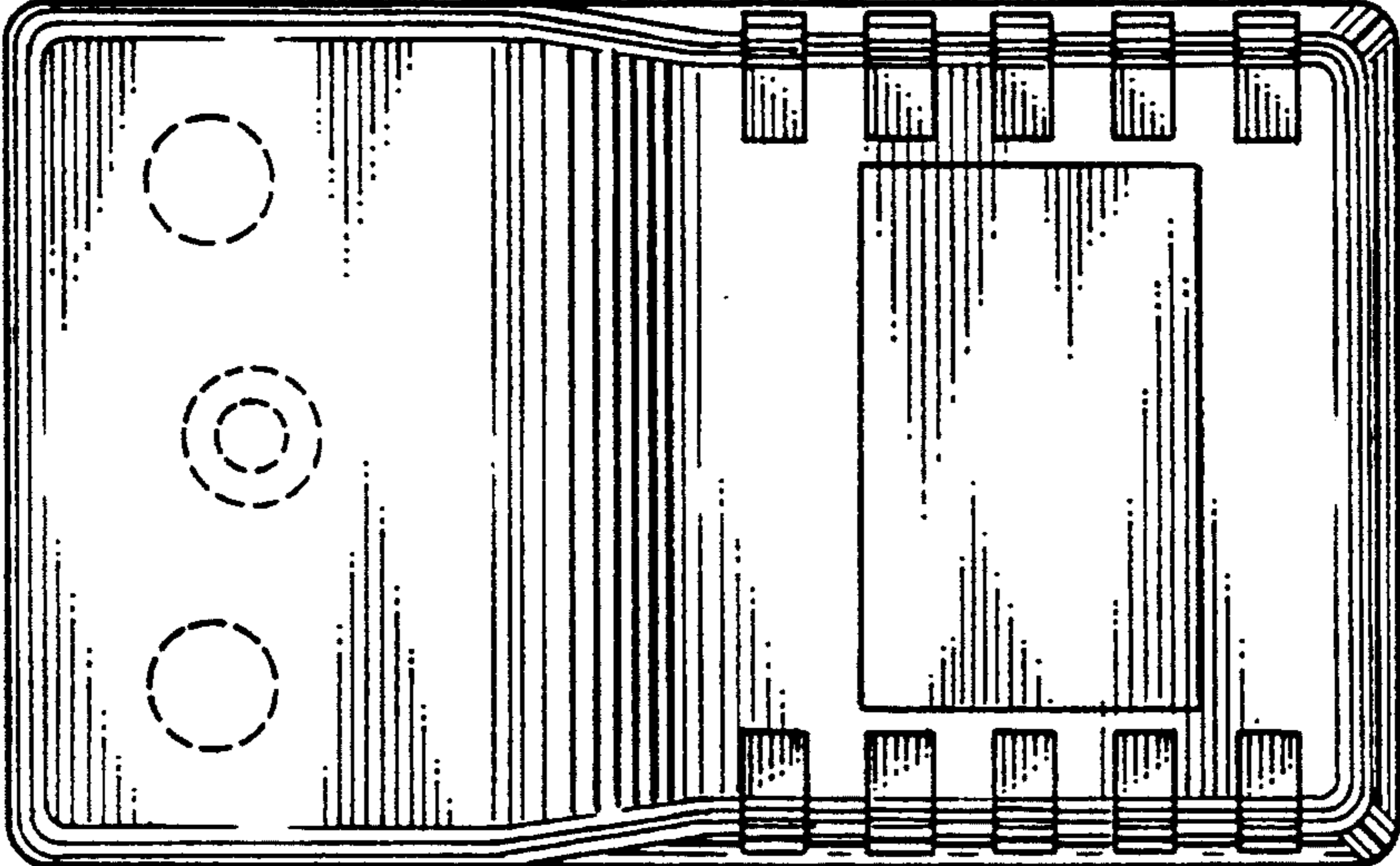


Fig. 4

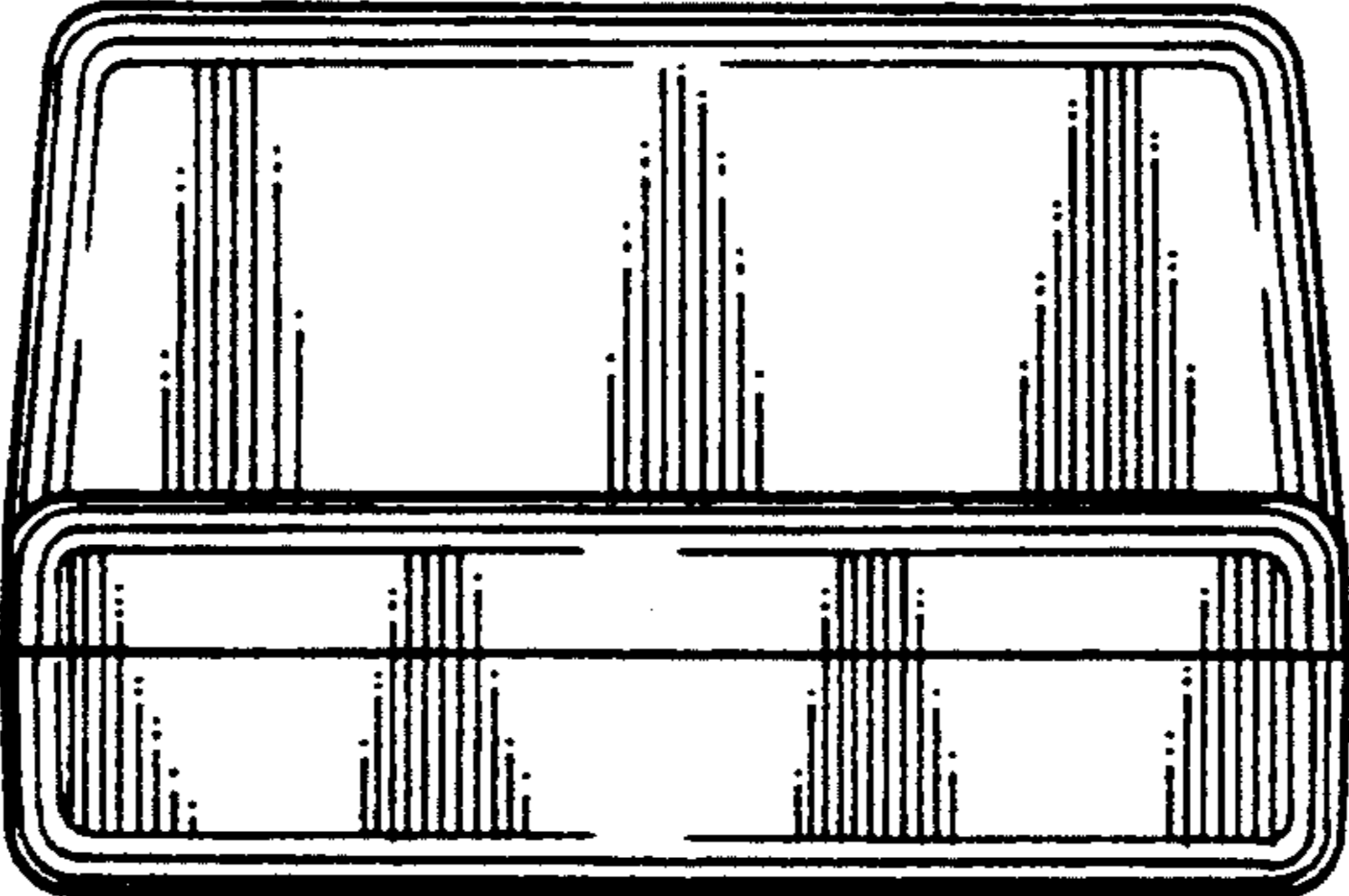


Fig. 5

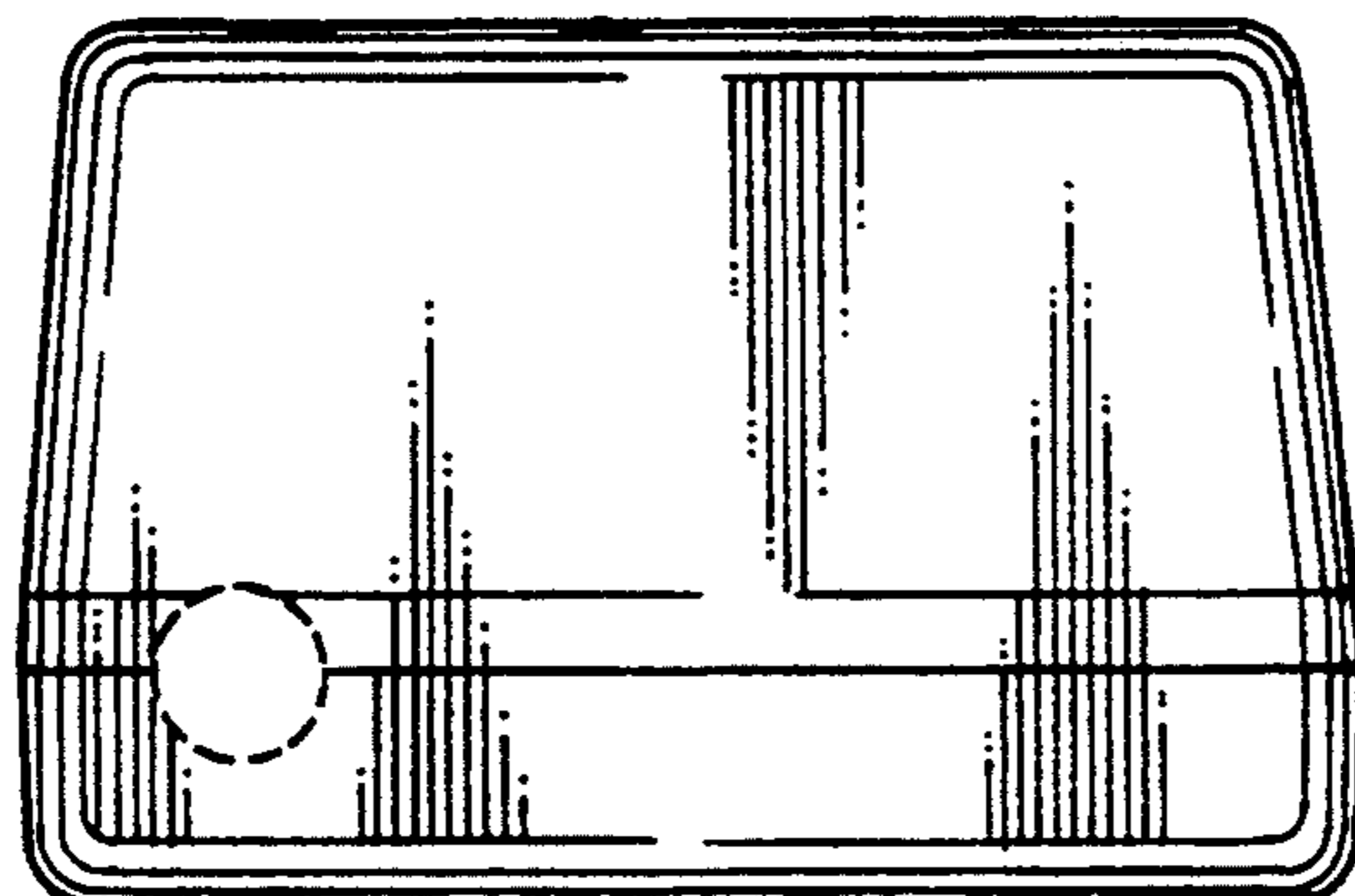


Fig. 6

