



US00D355886S

# United States Patent [19]

[11] Patent Number: **Des. 355,886**

**Finn**

[45] Date of Patent: **\*\* Feb. 28, 1995**

[54] **STOWABLE BOARDING APPARATUS**

[75] Inventor: **Albert E. Finn, Marblehead, Mass.**

[73] Assignee: **Indikon Company, Inc., Cambridge, Mass.**

[\*\*] Term: **14 Years**

[21] Appl. No.: **14,695**

[22] Filed: **Oct. 28, 1993**

[52] U.S. Cl. .... **D12/317; D25/62**

[58] Field of Search ..... **D12/317; 182/196, 198, 182/199; 114/362; D25/62**

[56] **References Cited**

**U.S. PATENT DOCUMENTS**

4,471,854	9/1984	Heilskov .....	182/196
4,601,253	7/1986	Anders .....	182/196
4,811,817	3/1989	Geary .....	182/196
4,846,306	7/1989	Ventz .....	182/196
5,074,236	12/1991	Robertson .....	182/196

**FOREIGN PATENT DOCUMENTS**

8901410	1/1991	Netherlands .....	182/196
---------	--------	-------------------	---------

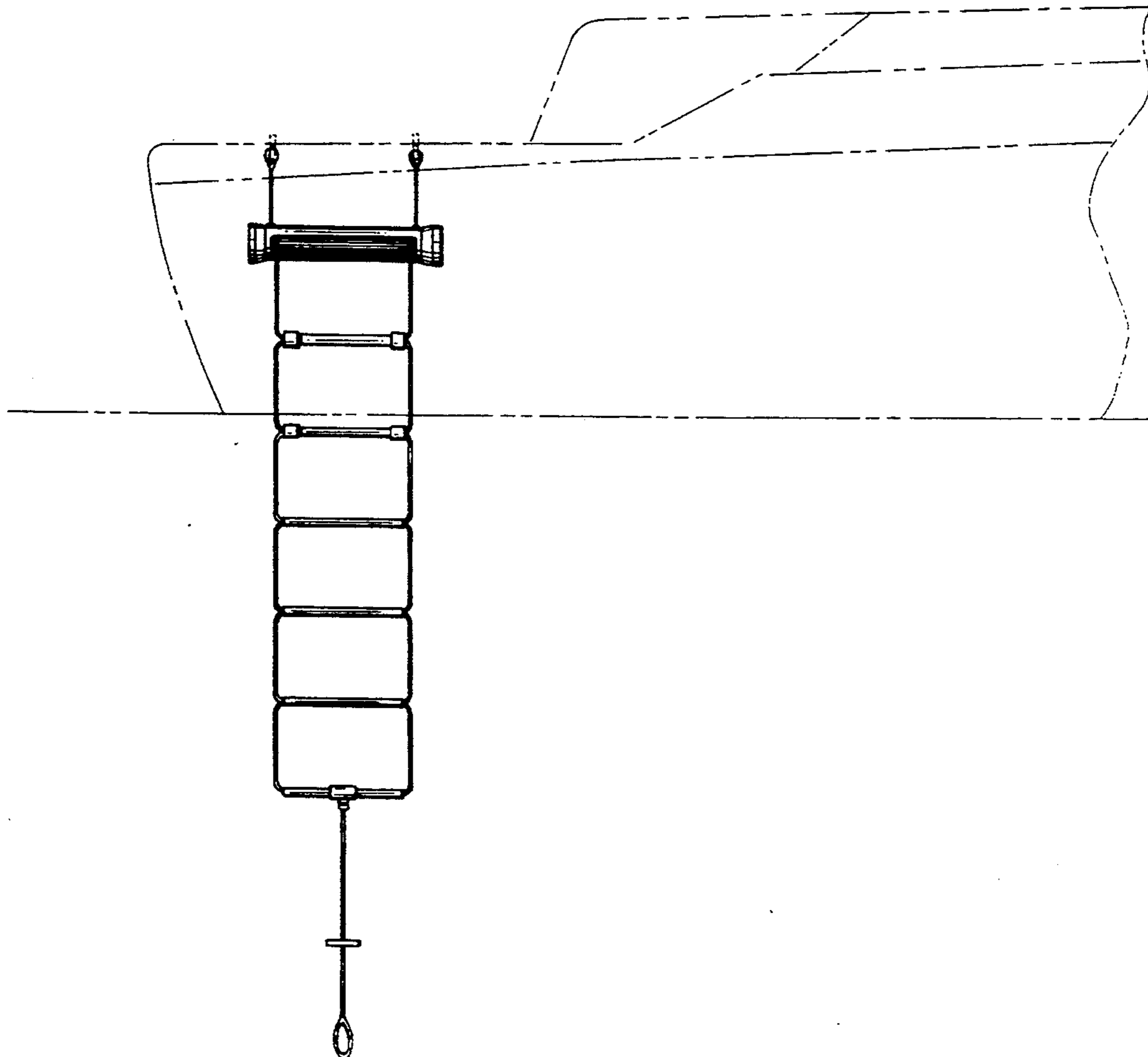
*Primary Examiner*—Kay H. Chin  
*Attorney, Agent, or Firm*—Weingarten, Schurgin, Gagnebin & Hayes

[57] **CLAIM**

The ornamental design for a stowable boarding apparatus, as shown and described.

**DESCRIPTION**

FIG. 1 is a front view of the stowable boarding apparatus in a stowed configuration; FIG. 2 is a rear view thereof; FIG. 3 is a right-side view thereof; FIG. 4 is a left-side view thereof; FIG. 5 is a top view thereof; FIG. 6 is a bottom view thereof; FIG. 7 is a front view of the stowable boarding apparatus in a deployed configuration; FIG. 8 is a rear view thereof; FIG. 9 is a right-side view thereof; FIG. 10 is a left-side view thereof; FIG. 11 is a top view thereof; FIG. 12 is a bottom view thereof; and, FIG. 13 is a front view thereof in an illustrative environment.



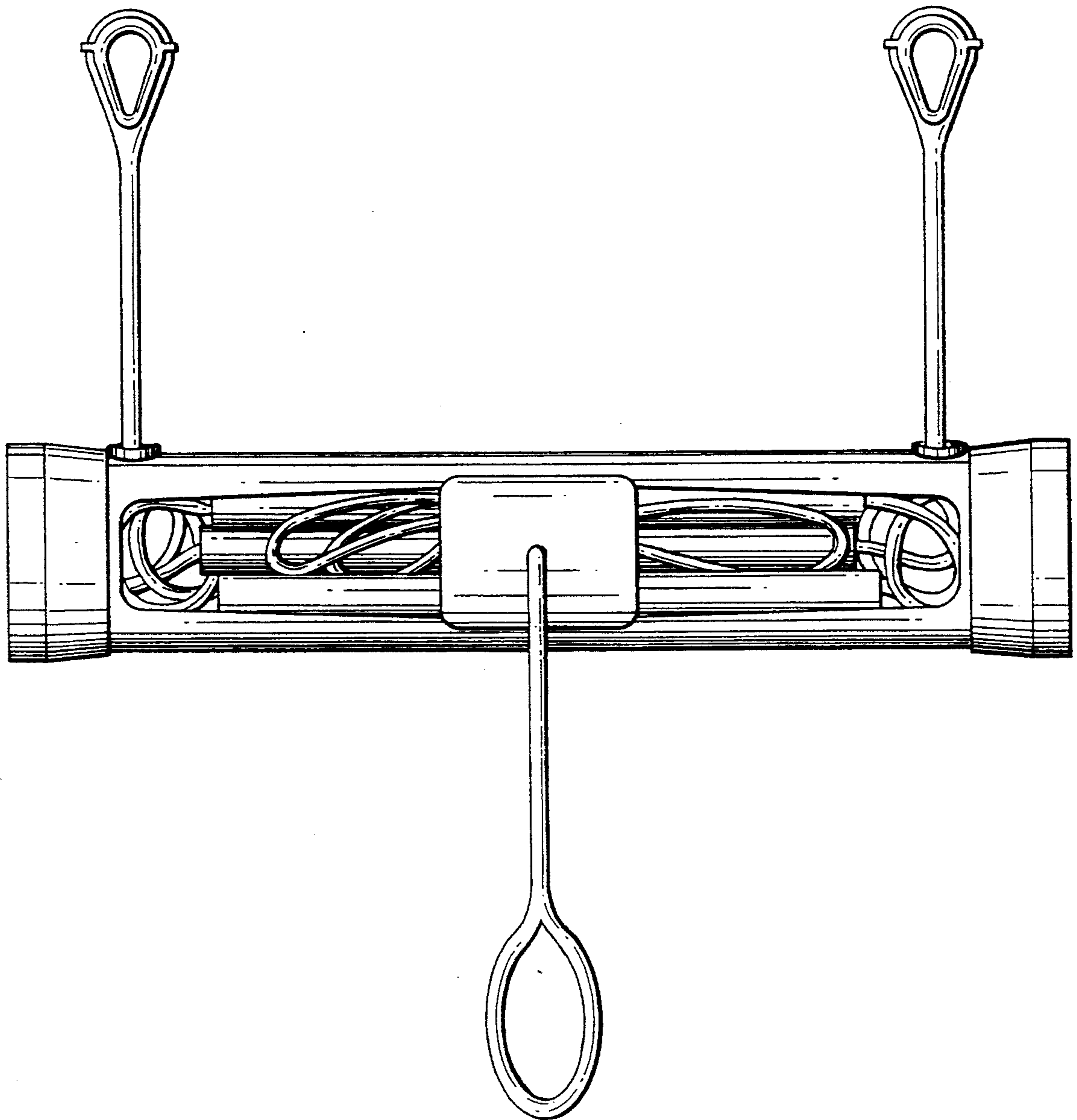
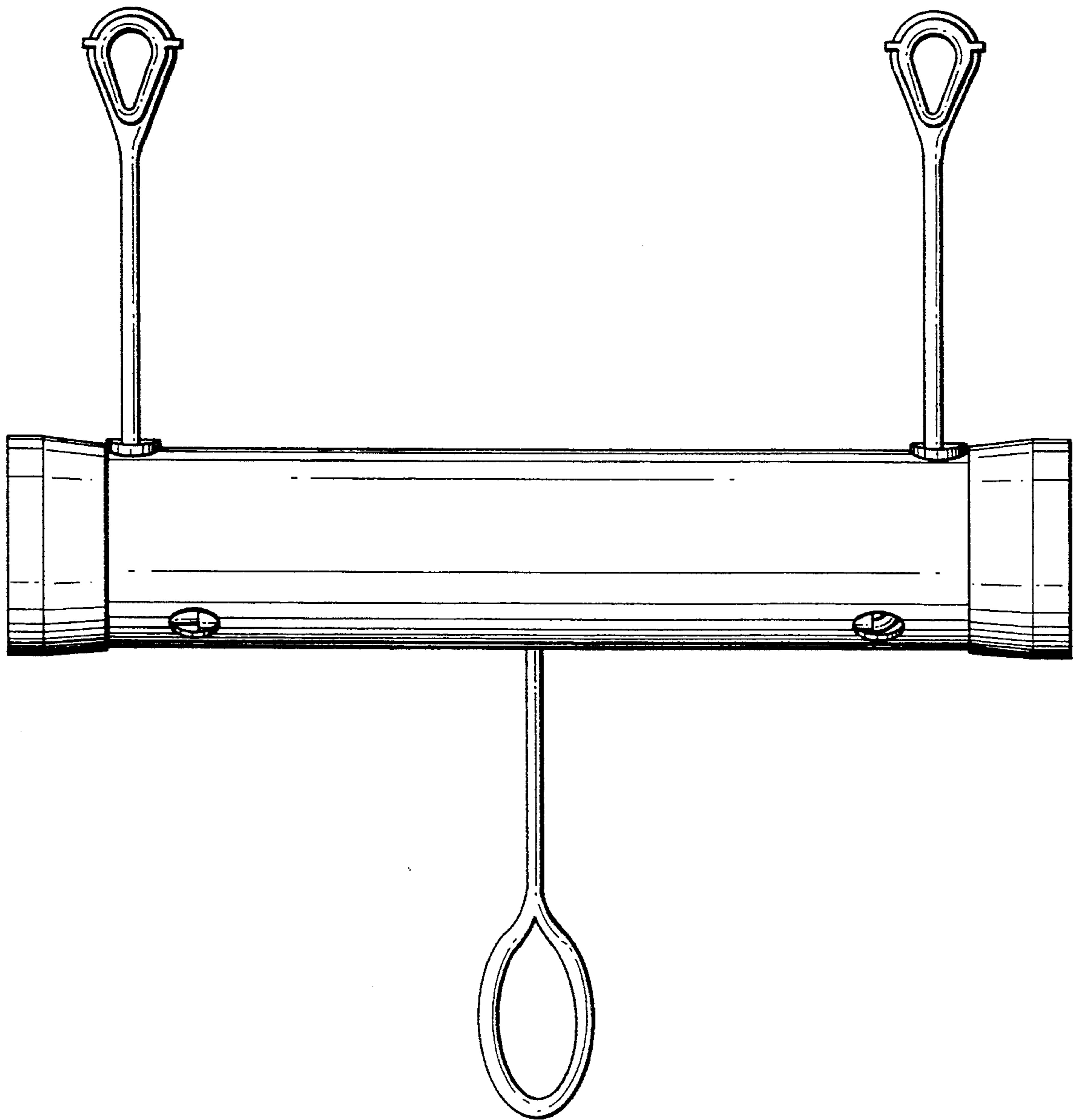
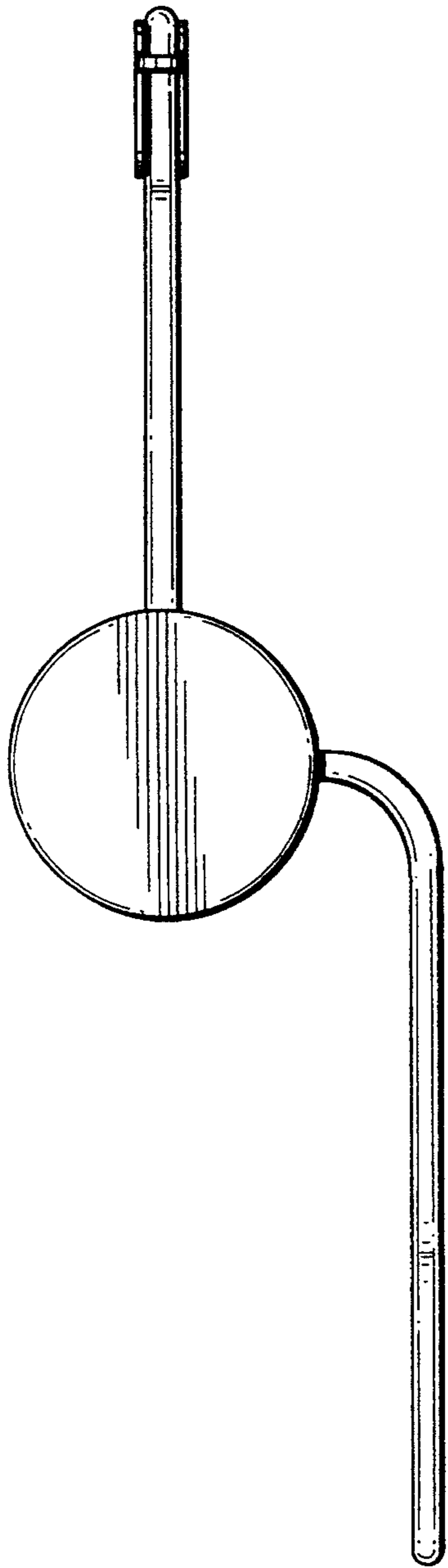


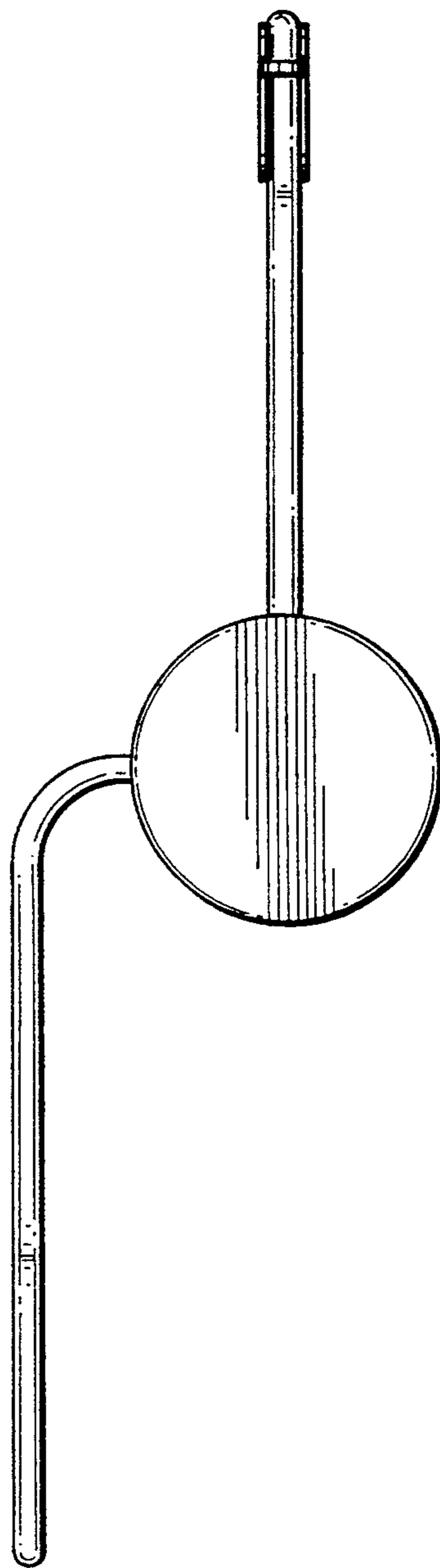
FIG. 1



*FIG. 2*



*FIG. 3*



*FIG. 4*

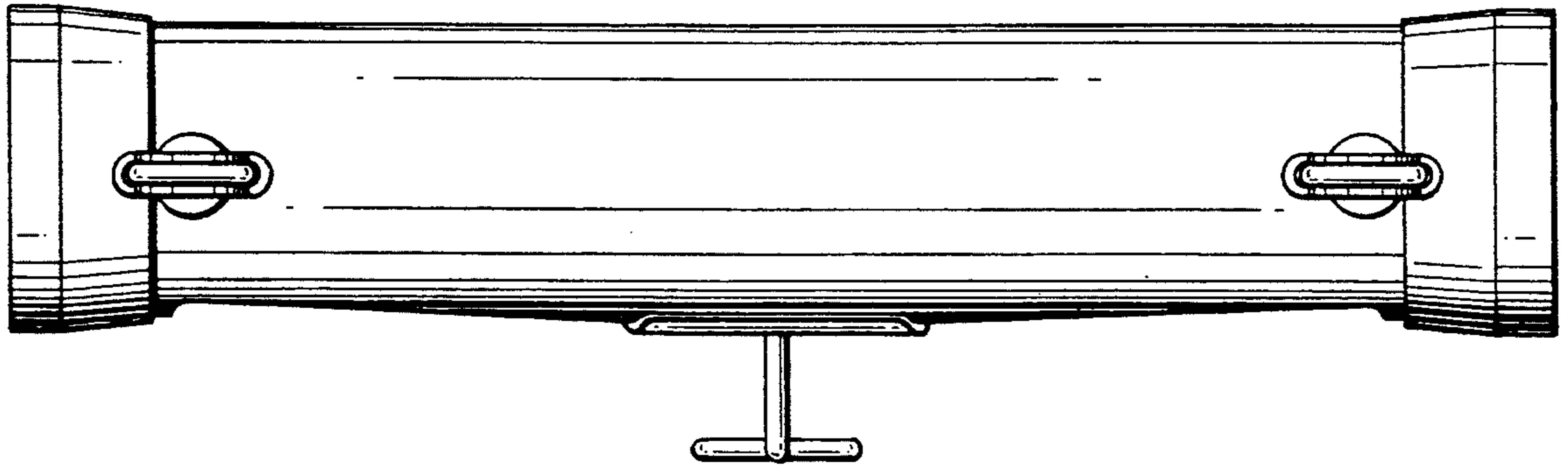


FIG. 5

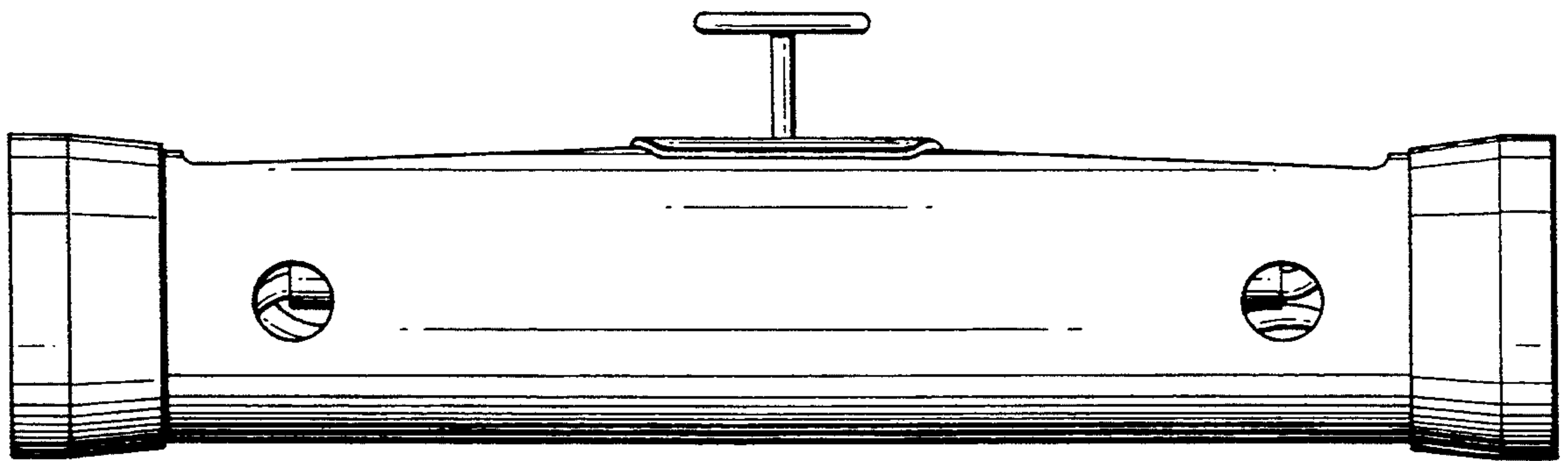


FIG. 6

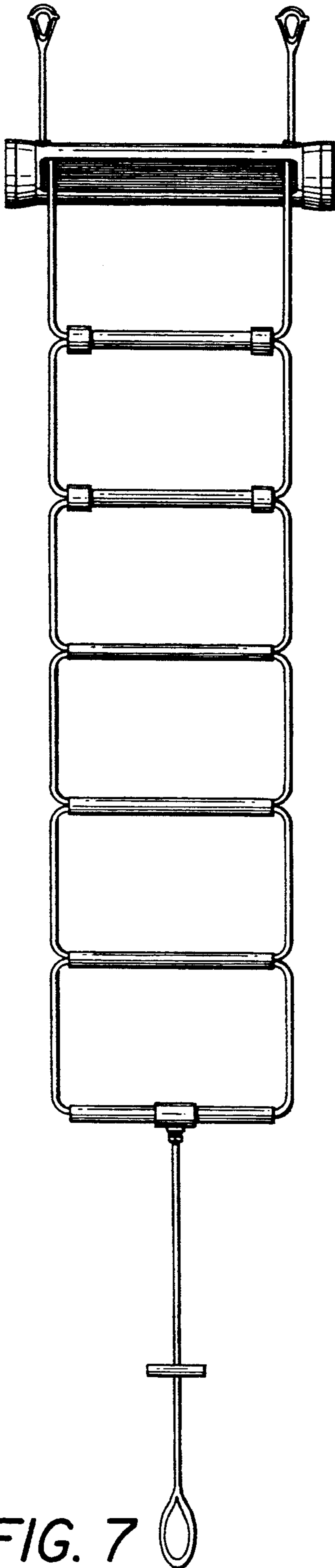


FIG. 7

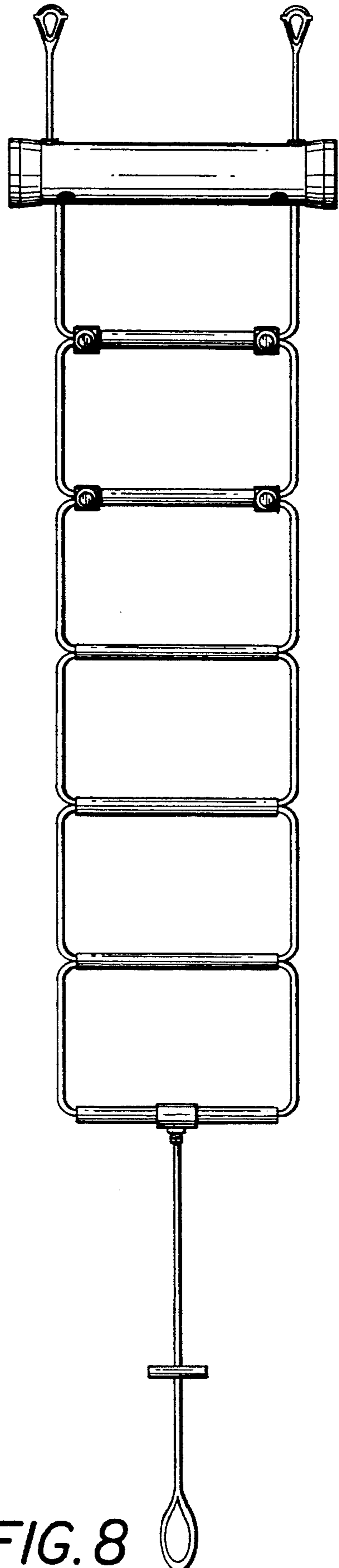


FIG. 8

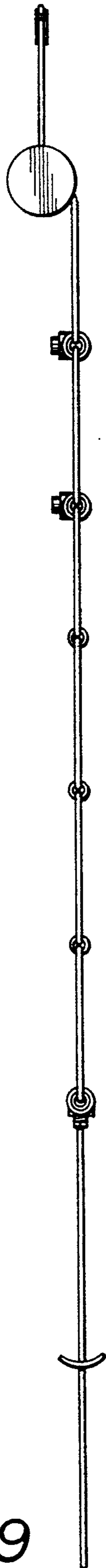


FIG. 9

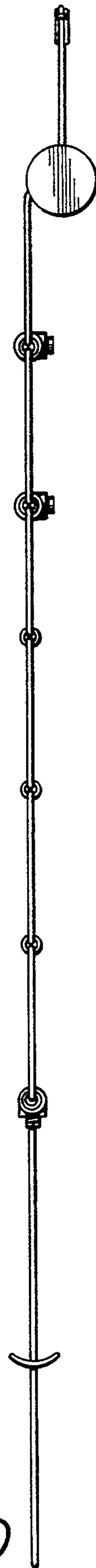
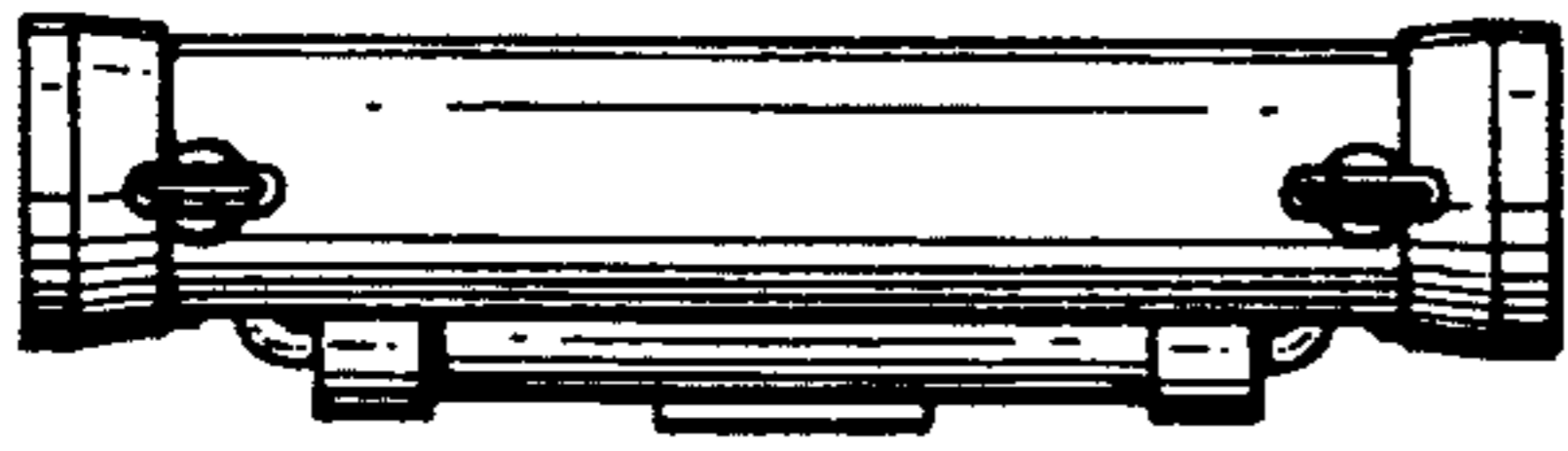
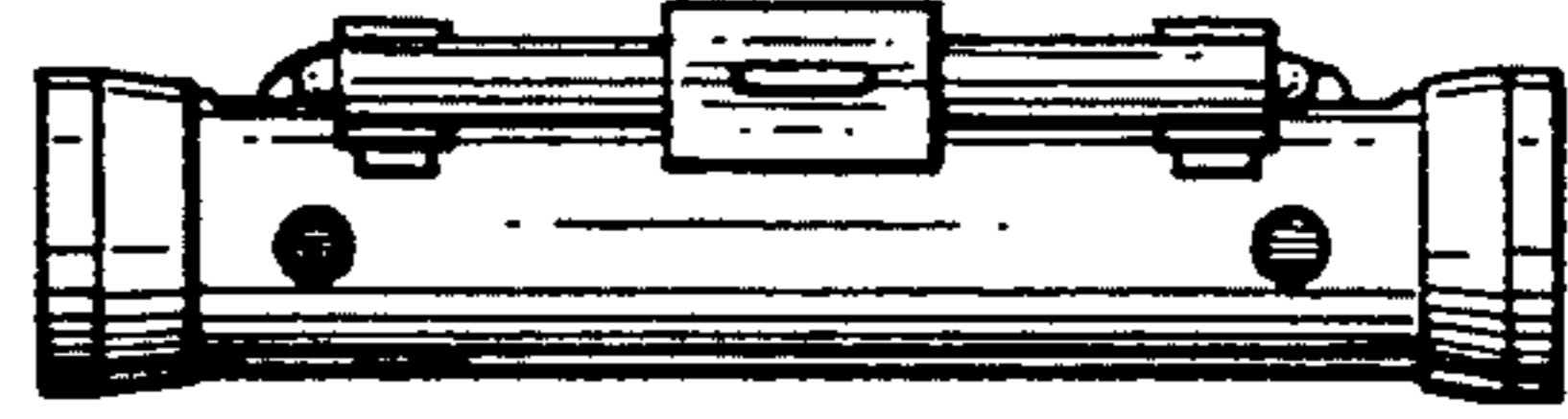


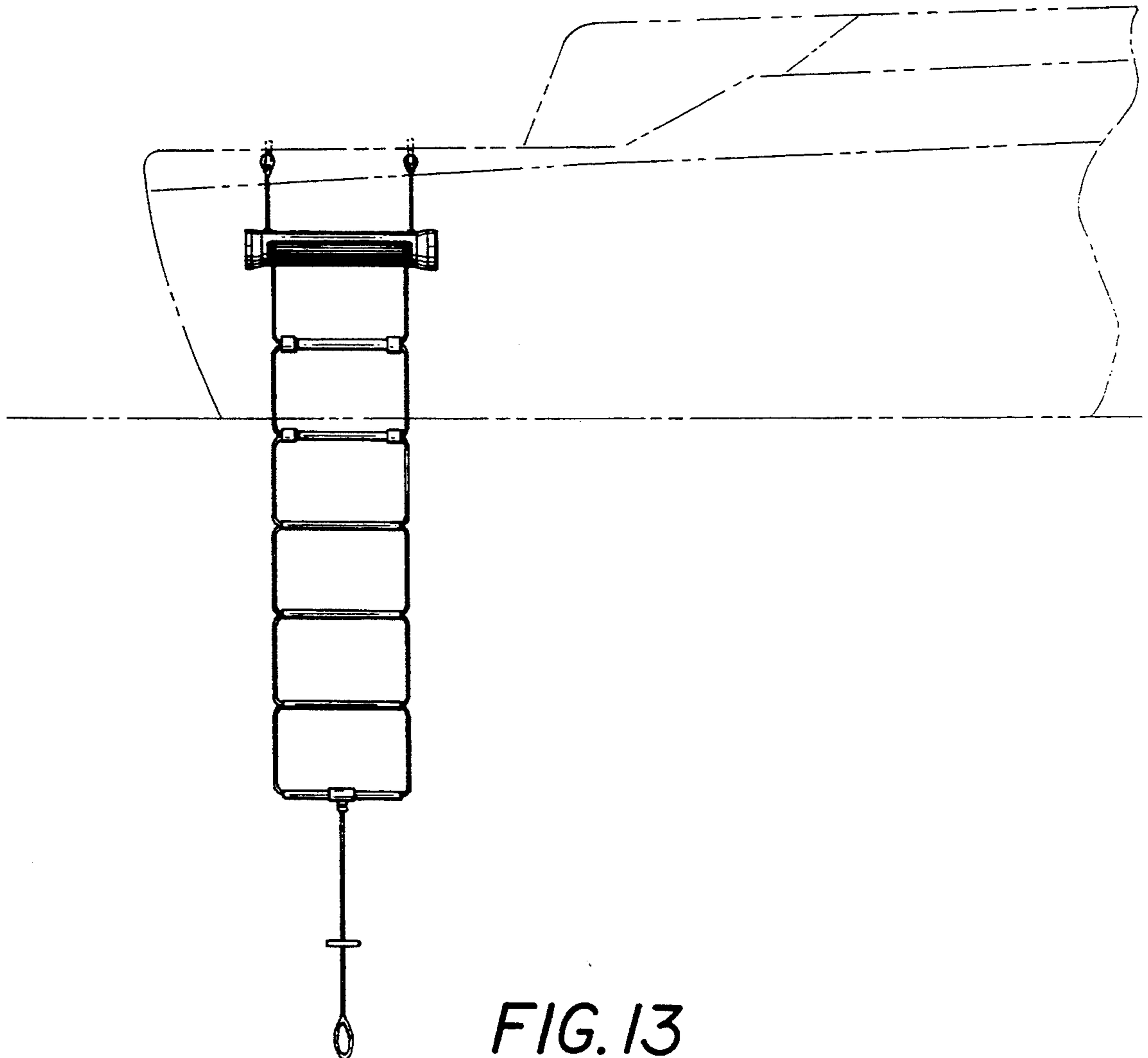
FIG. 10



*FIG. 11*



*FIG. 12*



*FIG. 13*