



US00D355885S

United States Patent [19]

[11] Patent Number: **Des. 355,885**

Dells

[45] Date of Patent: **** Feb. 28, 1995**

[54] **SKI BOAT AWNING**

[57] **CLAIM**

[76] Inventor: **Eugene Dells**, 1469 Montgomery Dr., Vista, Calif. 92084

The ornamental design for a ski boat awning, as shown and described.

[**] Term: **14 Years**

DESCRIPTION

[21] Appl. No.: **12,275**

FIG. 1 is a perspective view of a ski boat awning showing my new design, the broken lines are for illustrative purposes only and form no part of the claimed design; FIG. 2 is a front elevational view thereof, a portion of the upright support member is shown broken away for convenience of illustration;

[22] Filed: **Aug. 27, 1993**

[52] U.S. Cl. **D12/317**

FIG. 3 is a rear elevational view thereof;

[58] Field of Search **D12/318, 317, 306; 114/61, 361; 135/101, 117, 90, 87**

FIG. 4 is a left side elevational view thereof;

FIG. 5 is a right side elevational view thereof;

[56] **References Cited**

U.S. PATENT DOCUMENTS

- D. 284,850 7/1986 Wanzor D12/317
- D. 298,310 11/1988 Robbins D12/318
- D. 311,169 10/1990 Hoese D12/318
- D. 315,138 3/1991 Simpkins, Sr. et al. D12/318
- D. 318,842 8/1991 Reck D12/306
- 5,000,210 3/1991 Worthington, Jr. 135/90

FIG. 6 is a top plan view thereof;

FIG. 7 is a bottom plan view thereof, the support member is being omitted for clarity of illustration;

FIG. 8 is a perspective view thereof;

FIG. 9 is a top plan view of a second embodiment of the ski boat awning; and,

FIG. 10 is a top plan view of a third embodiment of the ski boat awning.

The sole difference among the first, second and third embodiments being the configuration of the top panel of the awning. The undisclosed bottom, sides, front and rear views of the second and third embodiments being the same as the first embodiment.

Primary Examiner—**Kay H. Chin**

Attorney, Agent, or Firm—**Fulwider Patton Lee & Utecht**

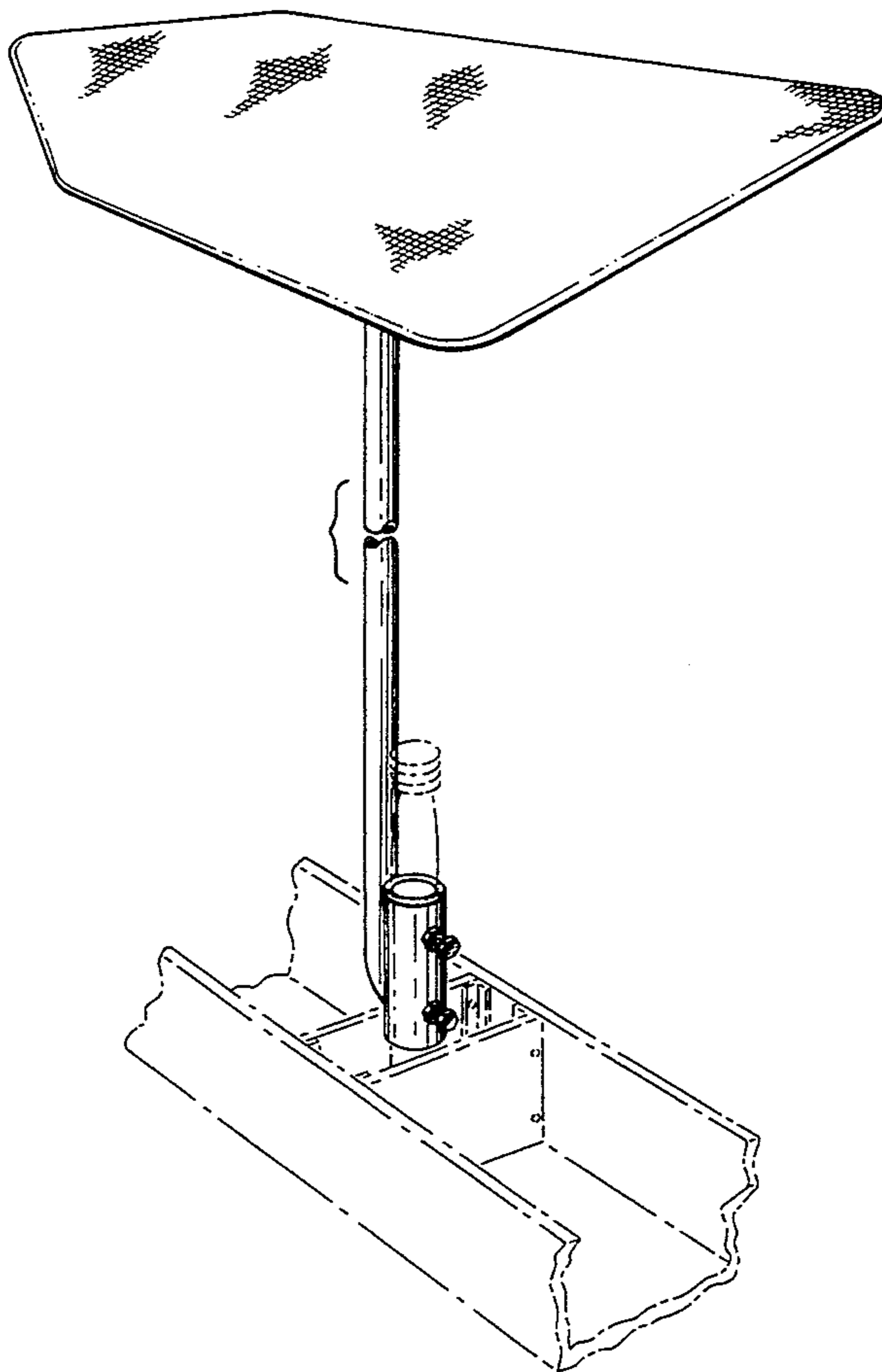


FIG. 1

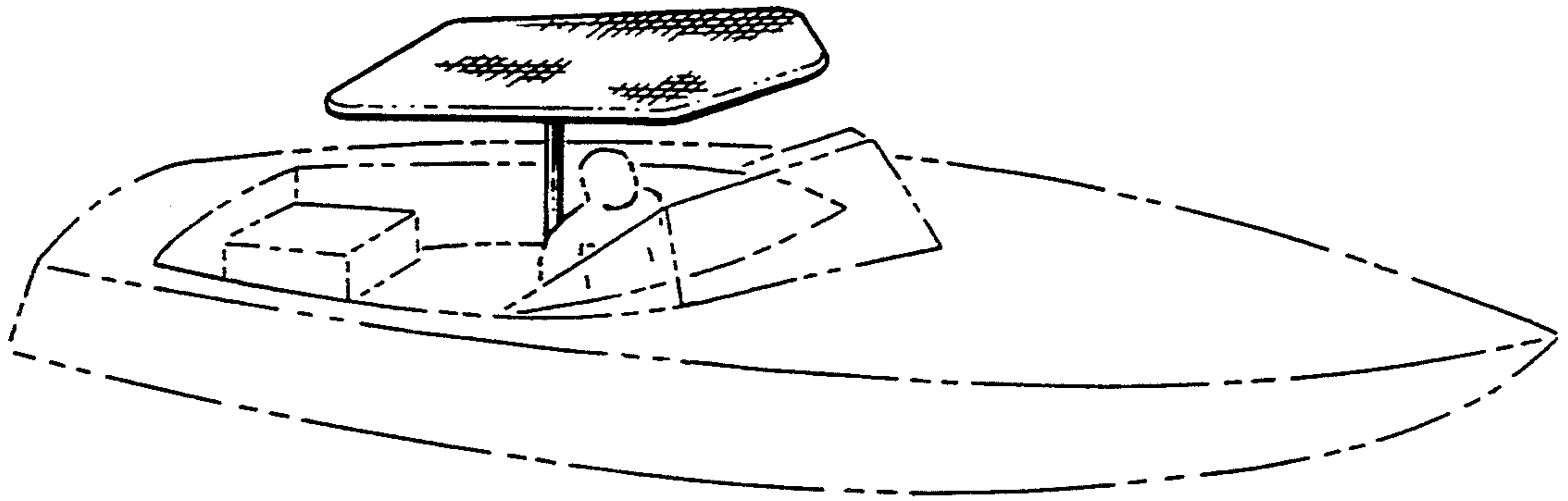


FIG. 2

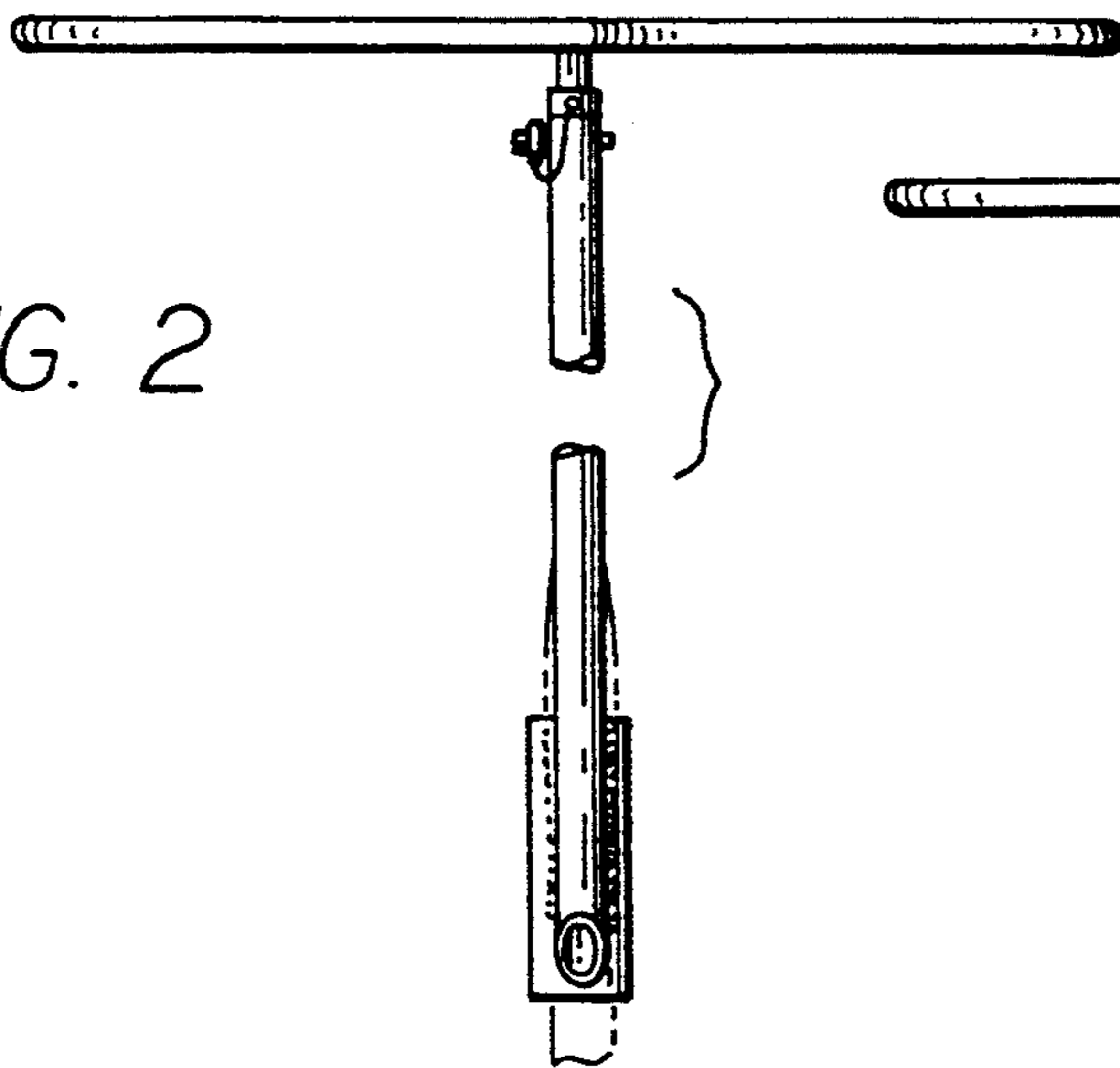


FIG. 3

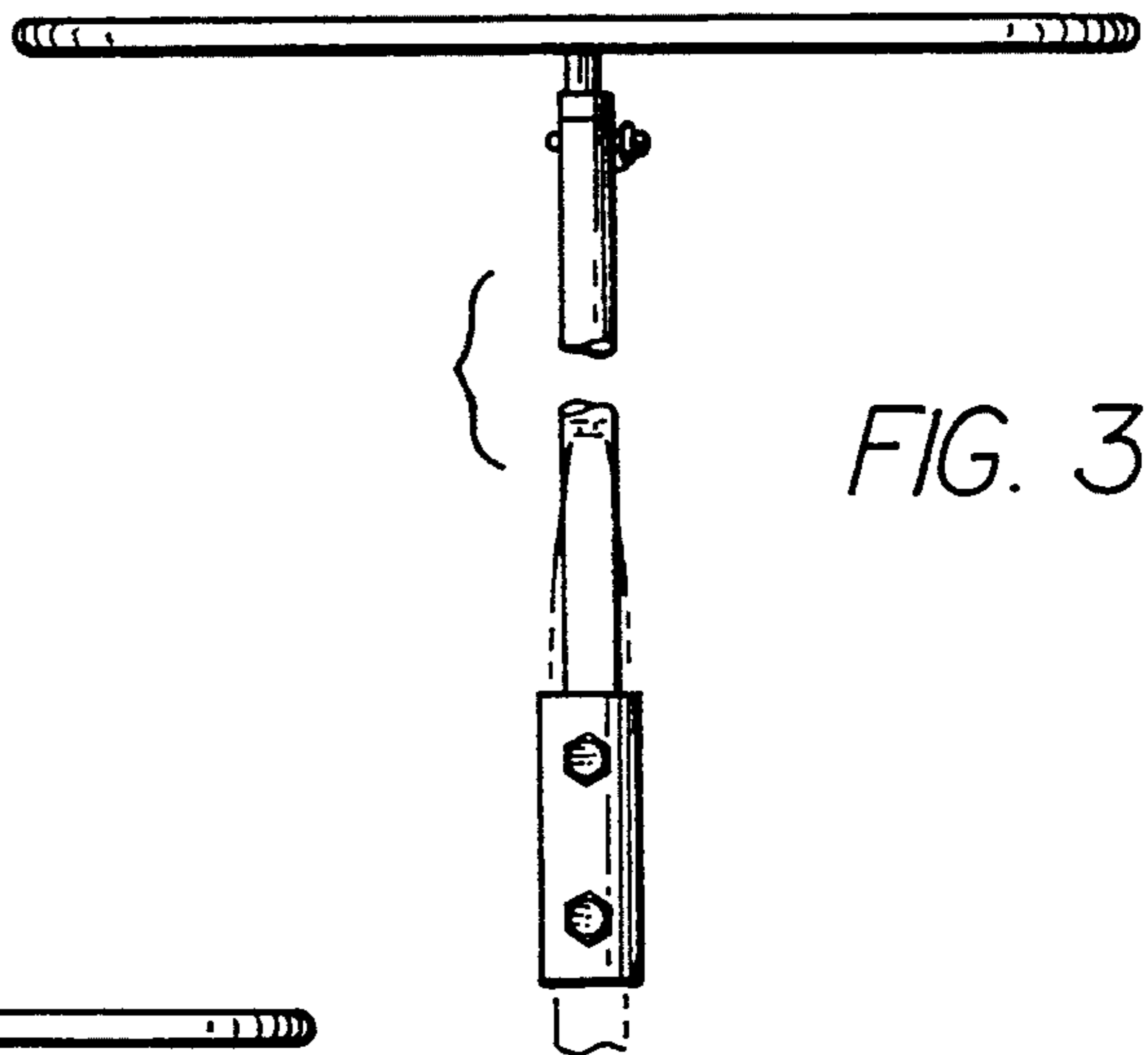


FIG. 4

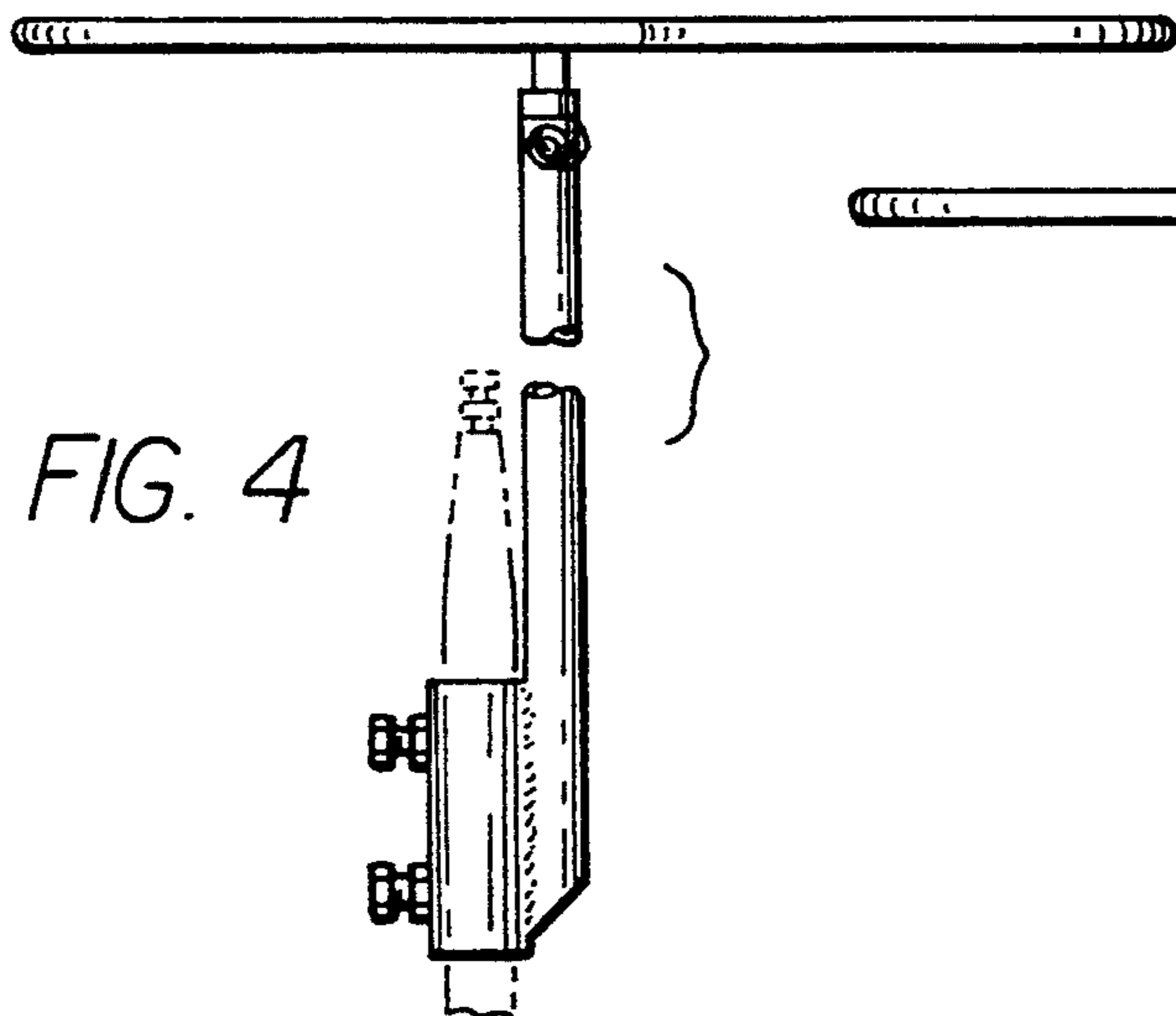


FIG. 5

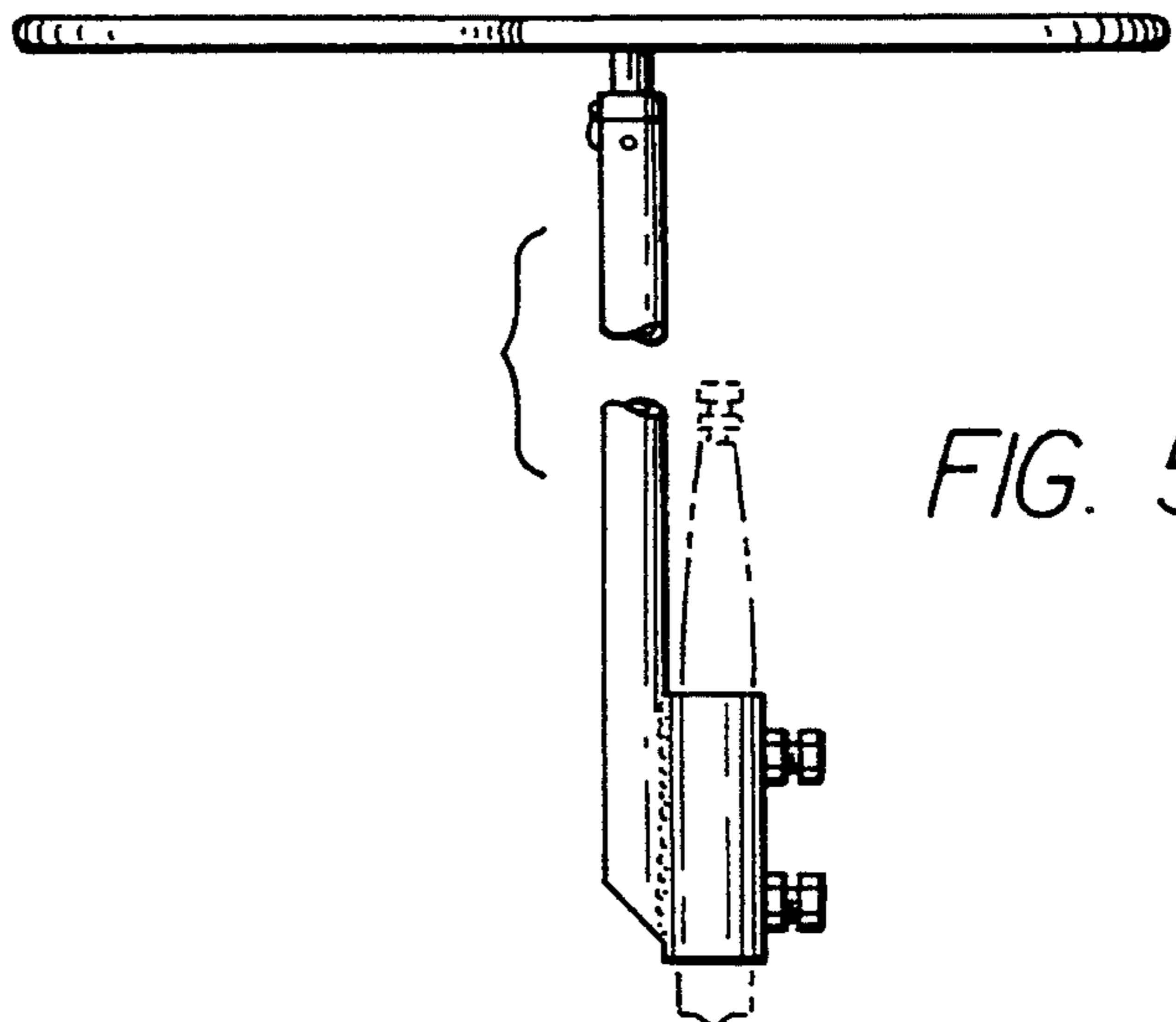


FIG. 6

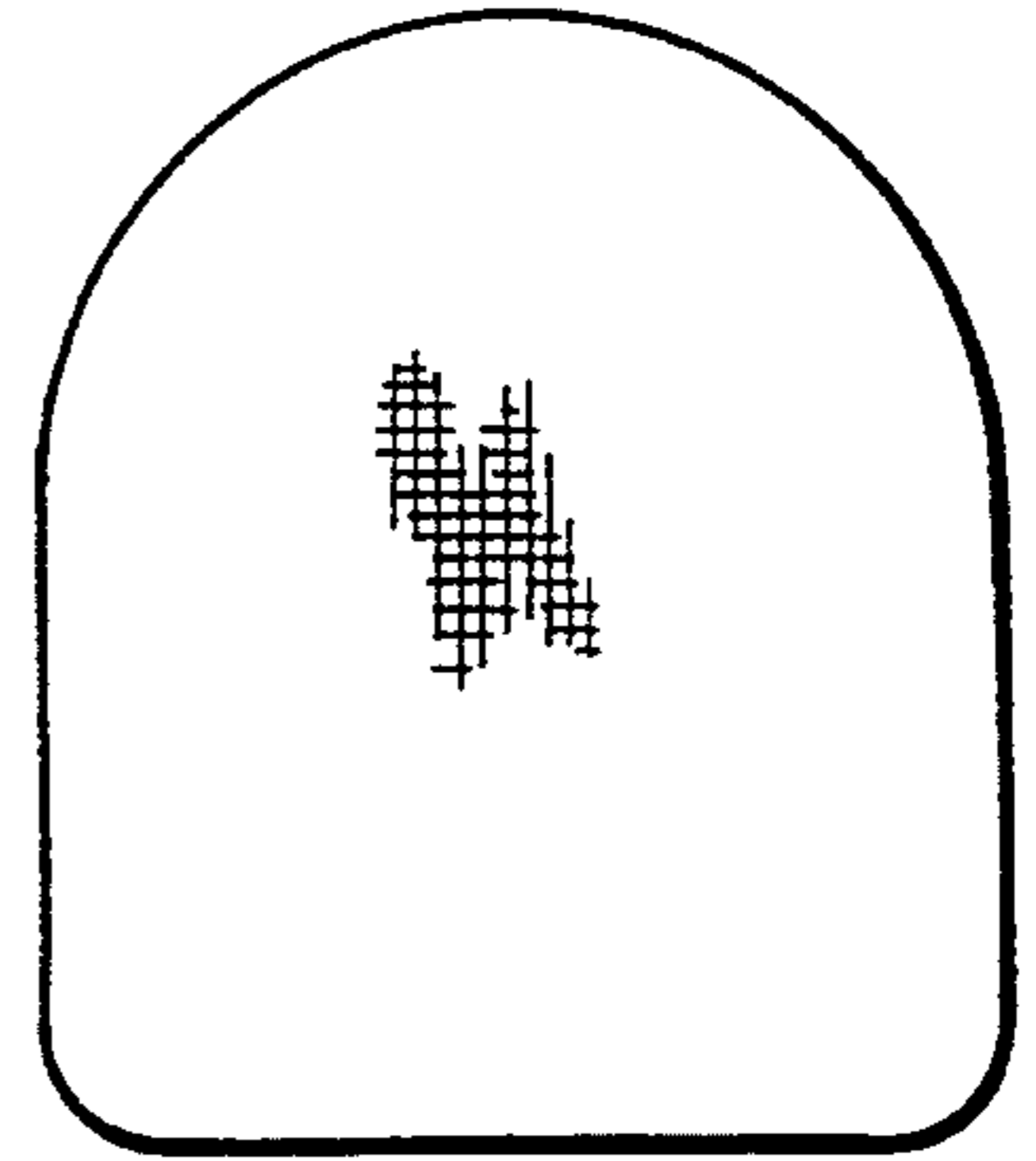
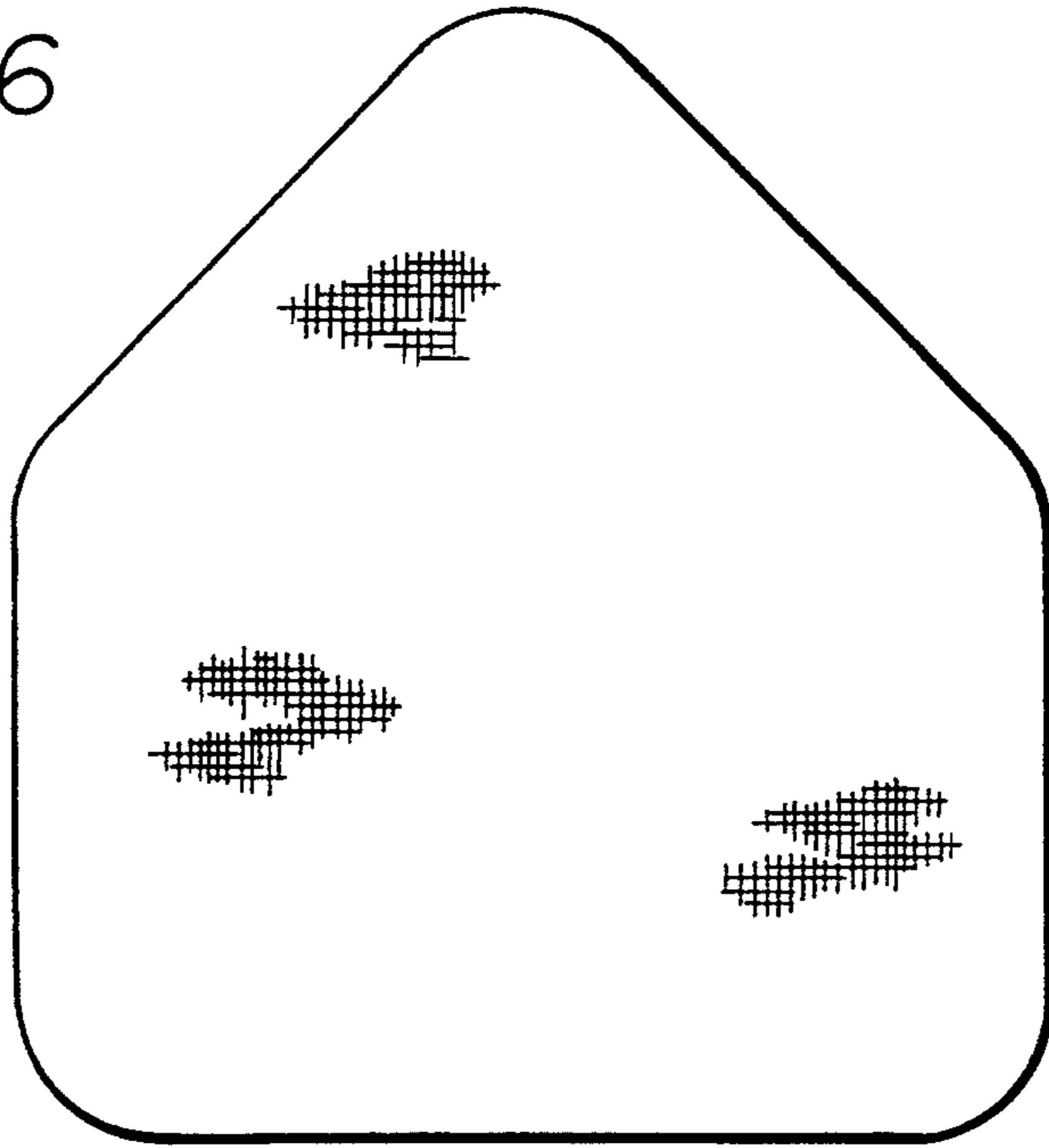


FIG. 10

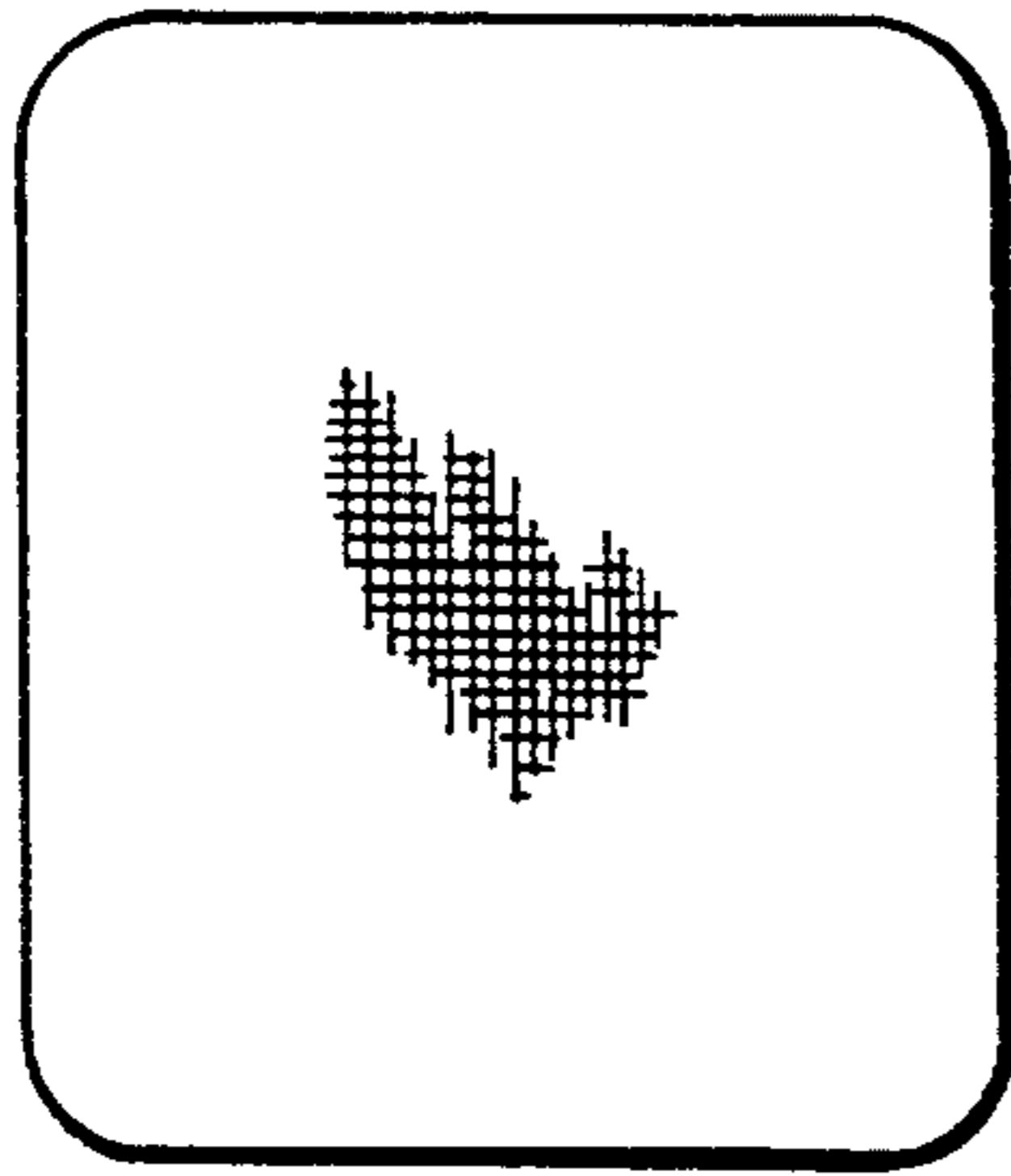
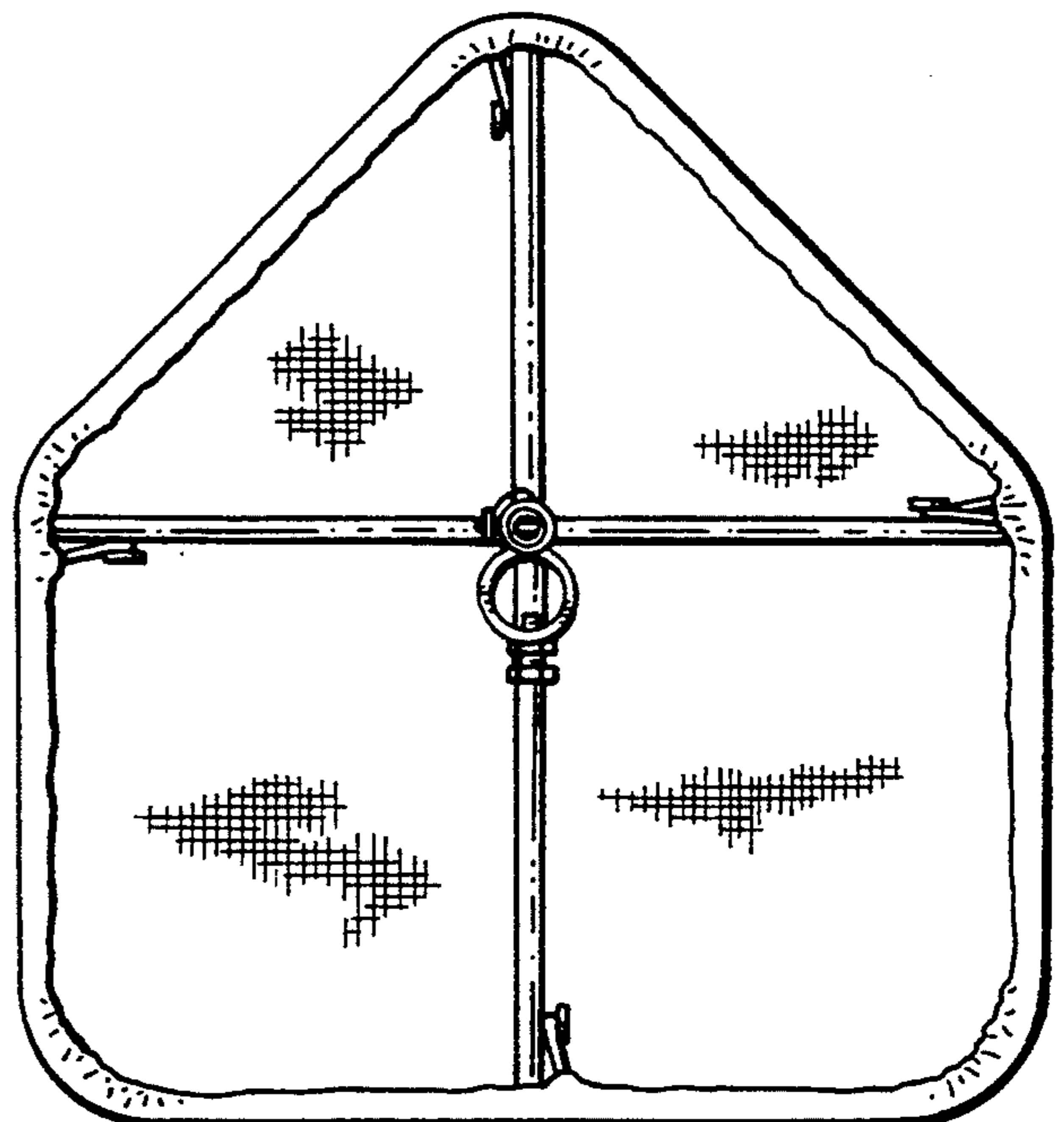


FIG. 9

FIG. 7



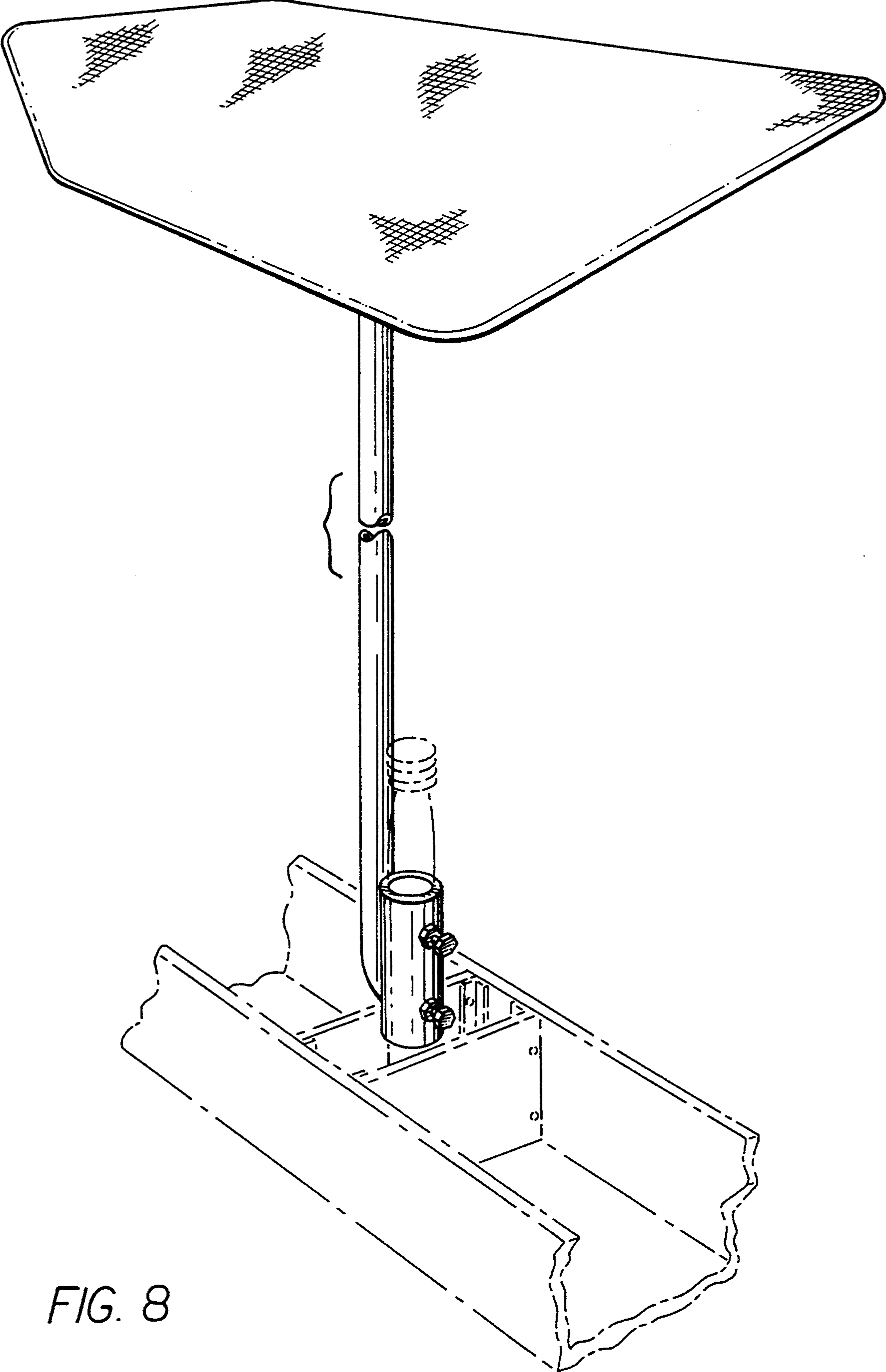


FIG. 8