



US00D355883S

United States Patent [19]
Simpkins

[11] **Patent Number: Des. 355,883**
[45] **Date of Patent: ** Feb. 28, 1995**

[54] **BOAT TOP**

- [75] **Inventor: Terry J. Simpkins, Carlsbad, Calif.**
- [73] **Assignee: Harris-Kayot, Inc., Fort Wayne, Ind.**
- [**] **Term: 14 Years**
- [21] **Appl. No.: 14,126**
- [22] **Filed: Oct. 13, 1993**
- [52] **U.S. Cl. D12/317**
- [58] **Field of Search D12/318, 317, 306;**
114/61, 361; 135/101, 117, 90, 87

OTHER PUBLICATIONS

Catalog entitled "KAYOT 1993".
 Catalog entitled "Harris Flote Bote '93".
Primary Examiner—Kay H. Chin
Attorney, Agent, or Firm—Baker & Daniels

[57] **CLAIM**

The ornamental design for a boat top, as shown and described.

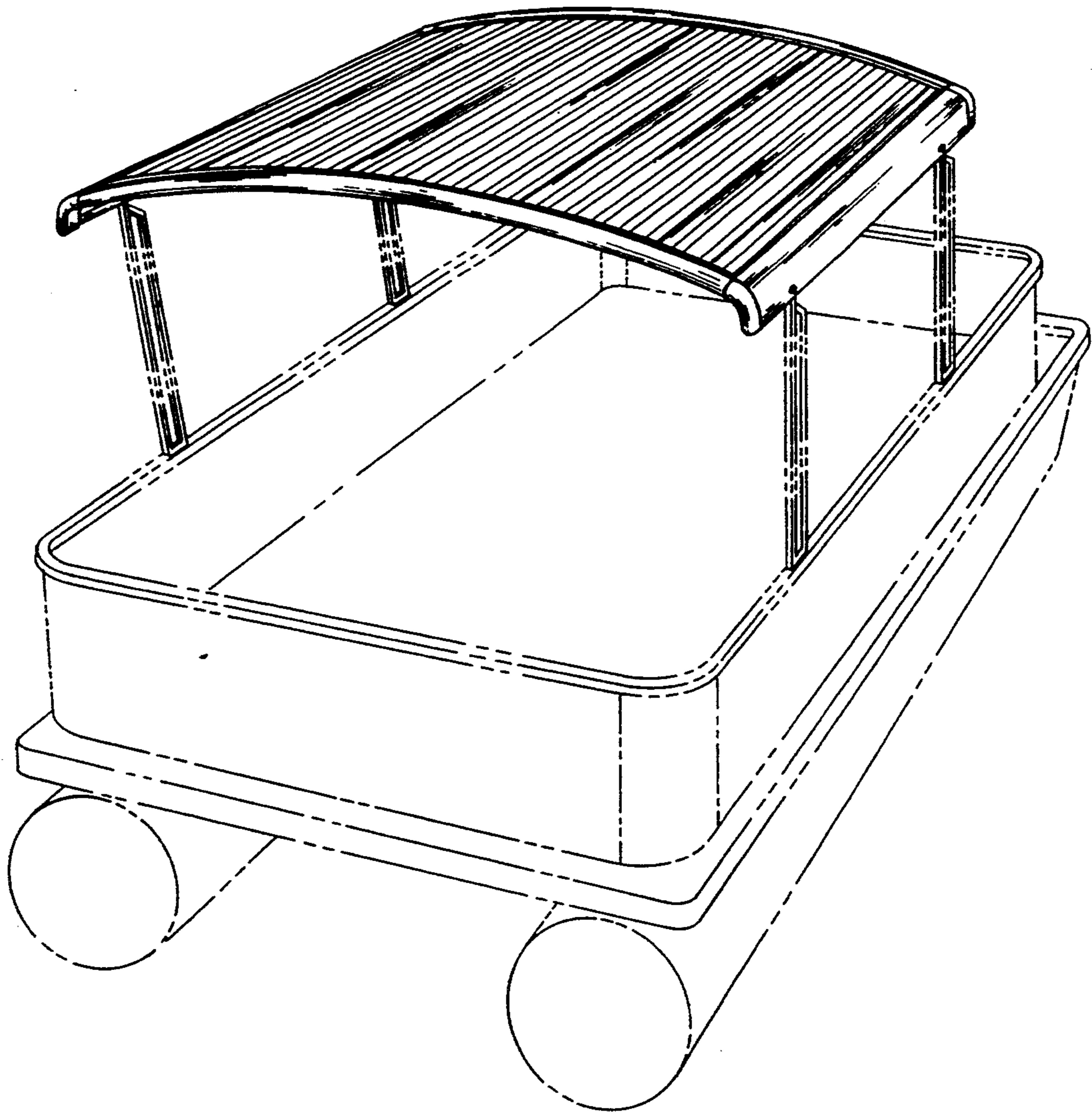
DESCRIPTION

FIG. 1 is a perspective view of a boat top showing my new design, the broken lines are for illustrative purposes only and form no part of the claimed design;
 FIG. 2 is a rear end view thereof, the front end view being identical;
 FIG. 3 is a right side view thereof, the left side view being identical;
 FIG. 4 is a top view thereof; and,
 FIG. 5 is a bottom view thereof.

[56] **References Cited**

U.S. PATENT DOCUMENTS

D. 189,657	1/1961	Rorie	D12/318
D. 298,310	11/1988	Robbins	D12/318
D. 311,169	10/1990	Hoese	D12/318
D. 315,138	3/1991	Simpkins, Sr. et al.	D12/318



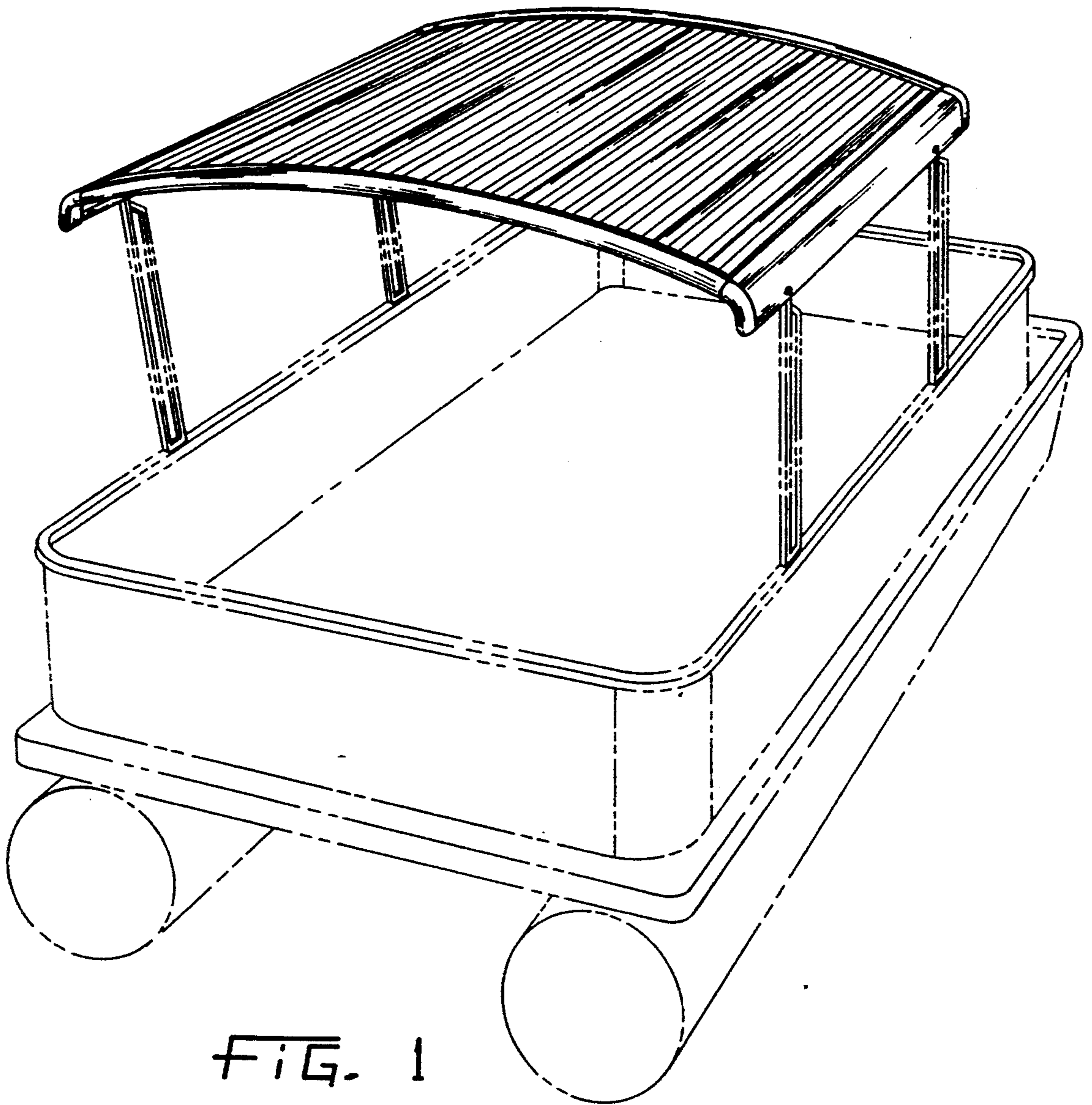


FIG. 1

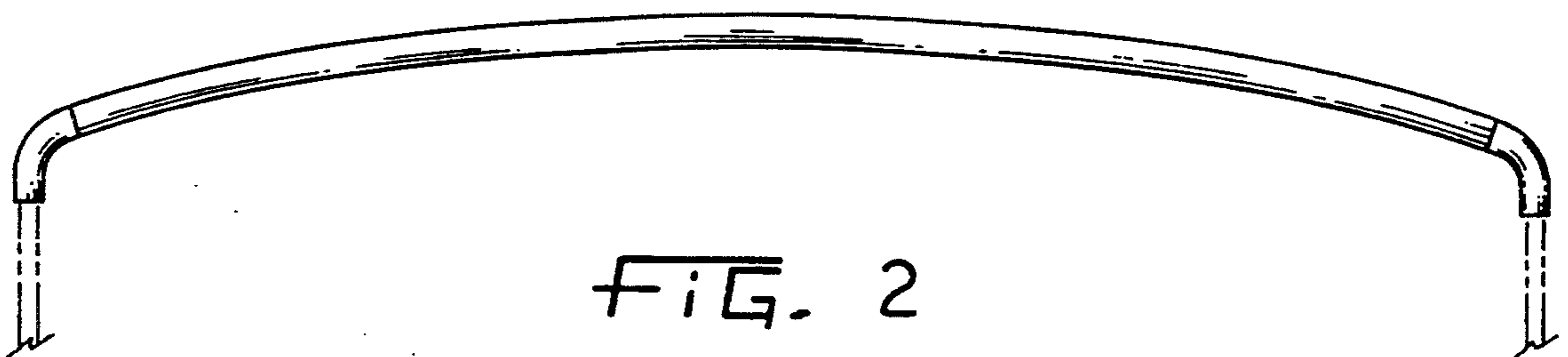


FIG. 2

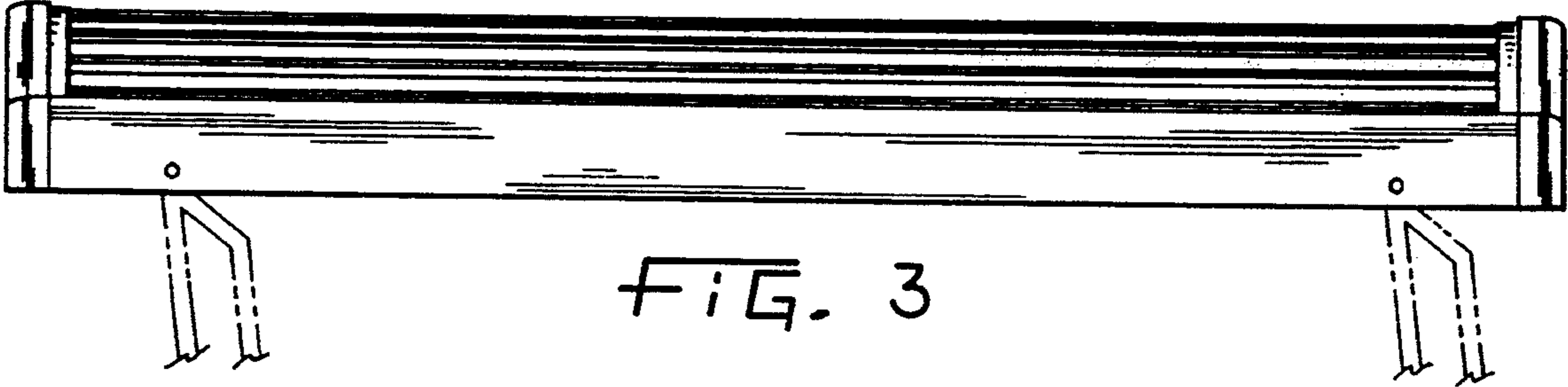


FIG. 3

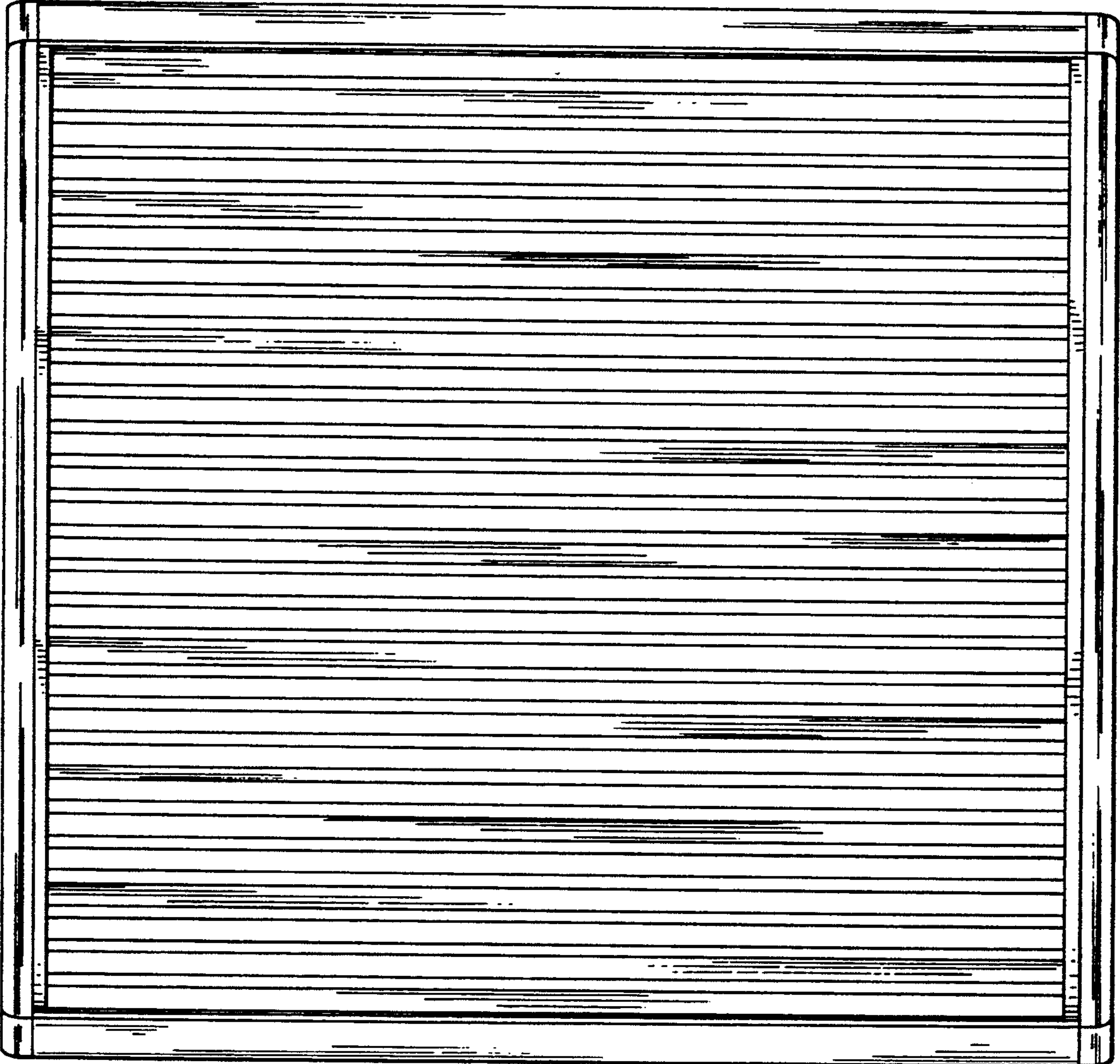


FIG. 4



FIG. 5