



US00D355871S

United States Patent [19]

[11] Patent Number: **Des. 355,871**

Schermeister

[45] Date of Patent: **** Feb. 28, 1995**

[54] **MOTORCYCLE KICKSTART PEDAL**

4,898,063 2/1990 Sampson 74/594.6

[76] Inventor: **Allan D. Schermeister**, 4587 Aptos Ave., San Jose, Calif. 95111

4,942,778 7/1990 Byrne D12/125

5,060,537 10/1991 Nagano 74/594.6

[**] Term: **14 Years**

Primary Examiner—Wallace R. Burke

Assistant Examiner—M. Brown

[21] Appl. No.: **6,949**

Attorney, Agent, or Firm—James J. Leary; Carol A. Duffield

[22] Filed: **Apr. 9, 1993**

[52] U.S. Cl. **D12/125**

[58] Field of Search D12/125; 74/594.4, 594.6, 74/594.3; 180/219; 280/288.4

[57] CLAIM

The ornamental design for a motorcycle kickstart pedal, as shown.

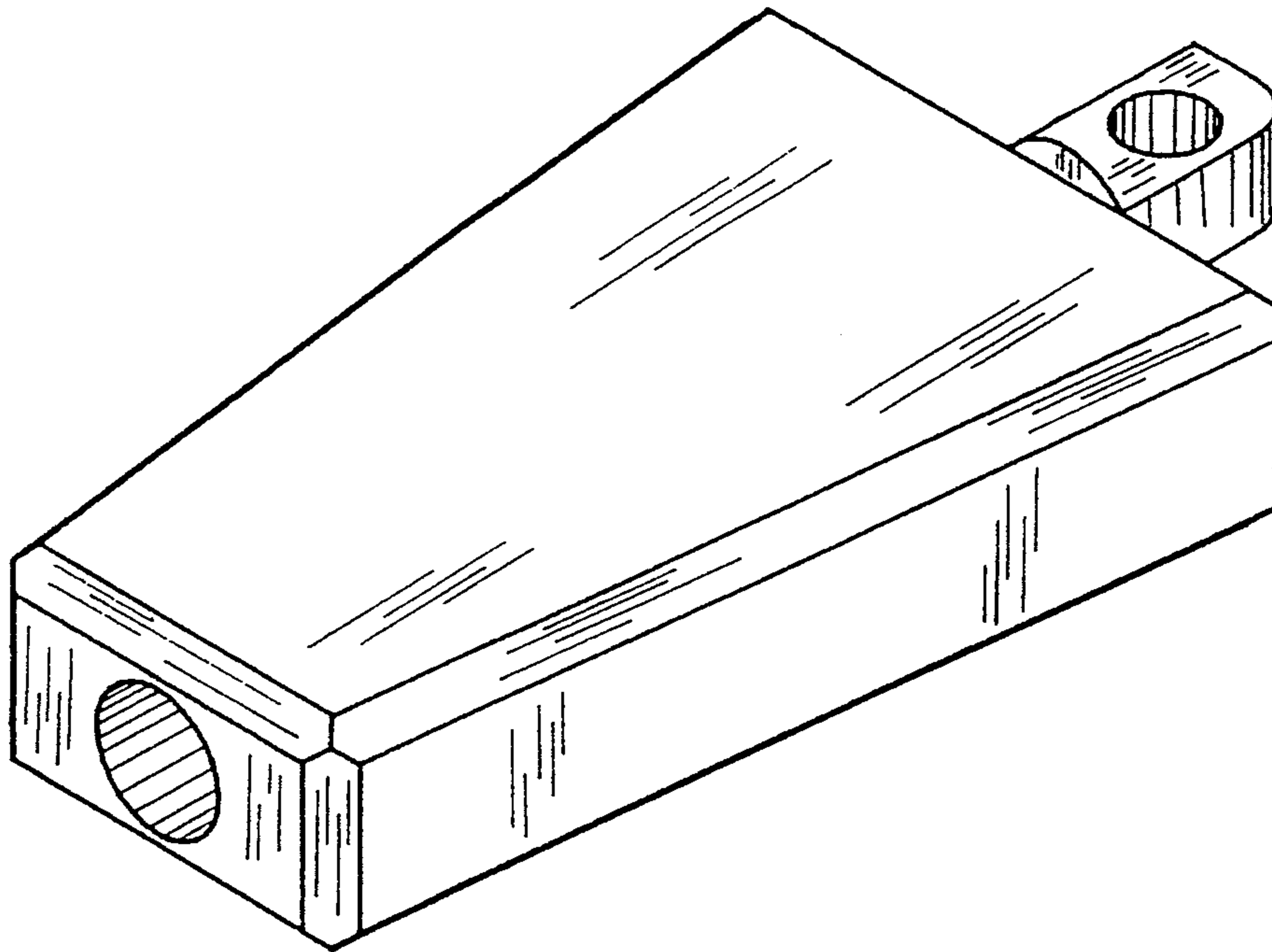
[56] References Cited

DESCRIPTION

U.S. PATENT DOCUMENTS

D. 333,113 2/1993 Westrud D12/125

FIG. 1 is a top perspective view of a motorcycle kickstart pedal showing my new design; and, FIG. 2 is a bottom perspective view thereof.



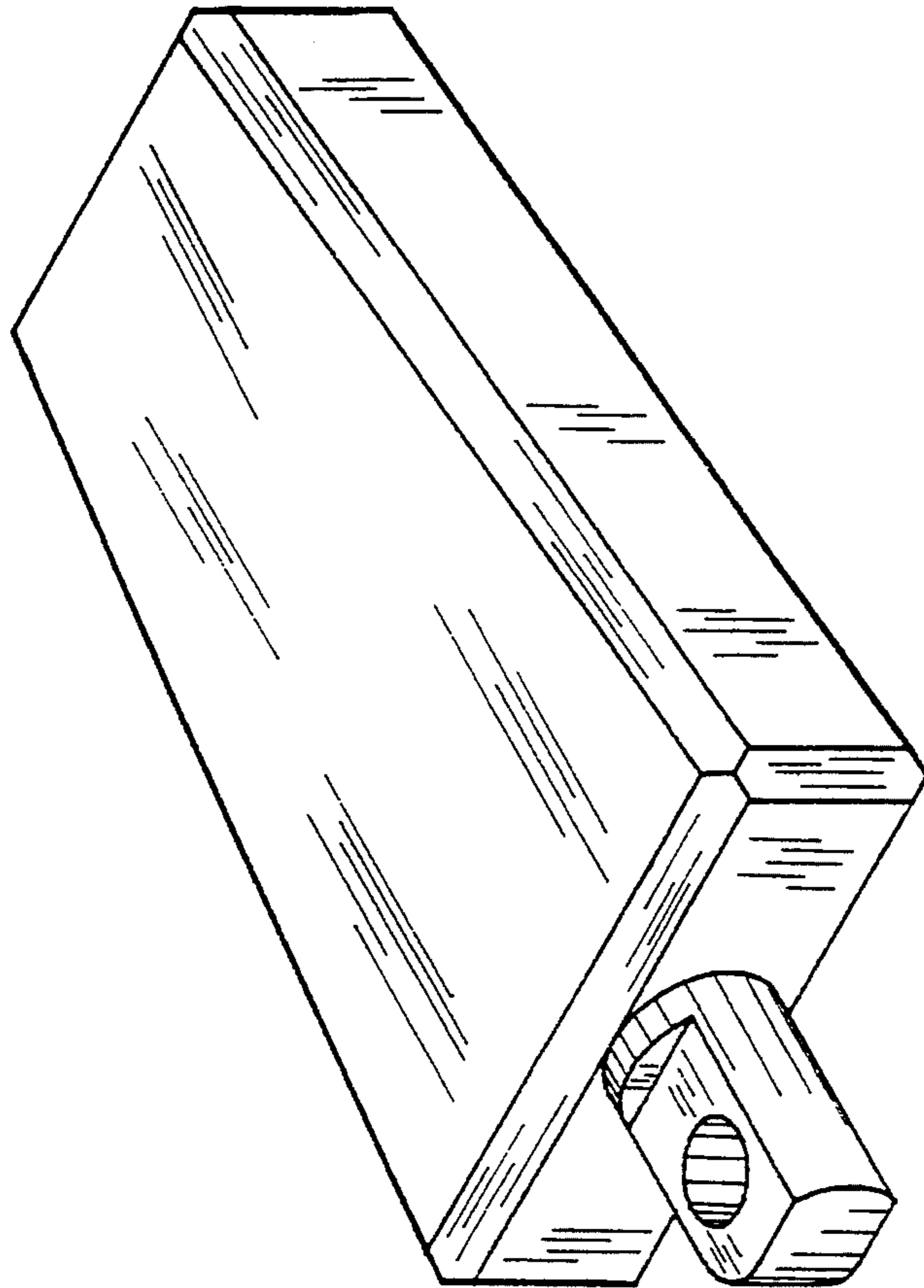


FIGURE 2

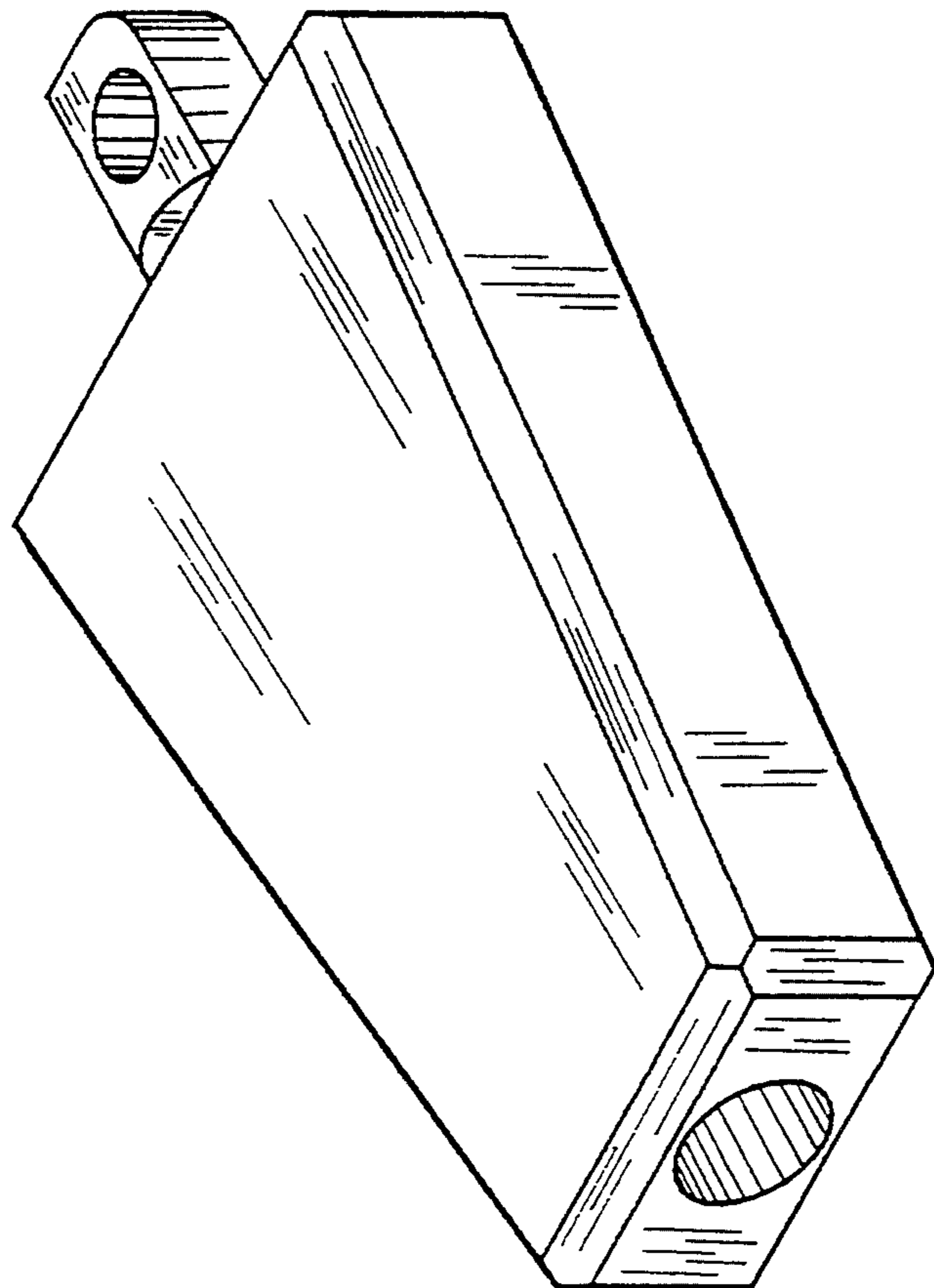


FIGURE 1