



US00D355864S

United States Patent [19]

[11] Patent Number: **Des. 355,864**

Lantz

[45] Date of Patent: **** Feb. 28, 1995**

[54] **WARNING LIGHT FOR USE ON TOWED BOATS**

5,060,121 10/1991 Cunningham .
5,157,591 10/1992 Chudzik .

[76] Inventor: **John A. Lantz**, 820 Westview Dr.,
Marion, Iowa 52302-4634

Primary Examiner—Wallace R. Burke
Assistant Examiner—Marcus Jackson
Attorney, Agent, or Firm—Terry M. Gernstein

[**] Term: **14 Years**

[21] Appl. No.: **20,467**

[57] **CLAIM**

[22] Filed: **Mar. 28, 1994**

The ornamental design for a warning light for use on towed boats, as shown and described.

[52] U.S. Cl. **D10/114; D26/28**

[58] Field of Search D10/104, 114, 109, 115,
D10/121; D26/28-35; 362/157, 159, 170, 171,
172, 185, 186, 187, 190, 192, 193, 194, 197, 201,
203

DESCRIPTION

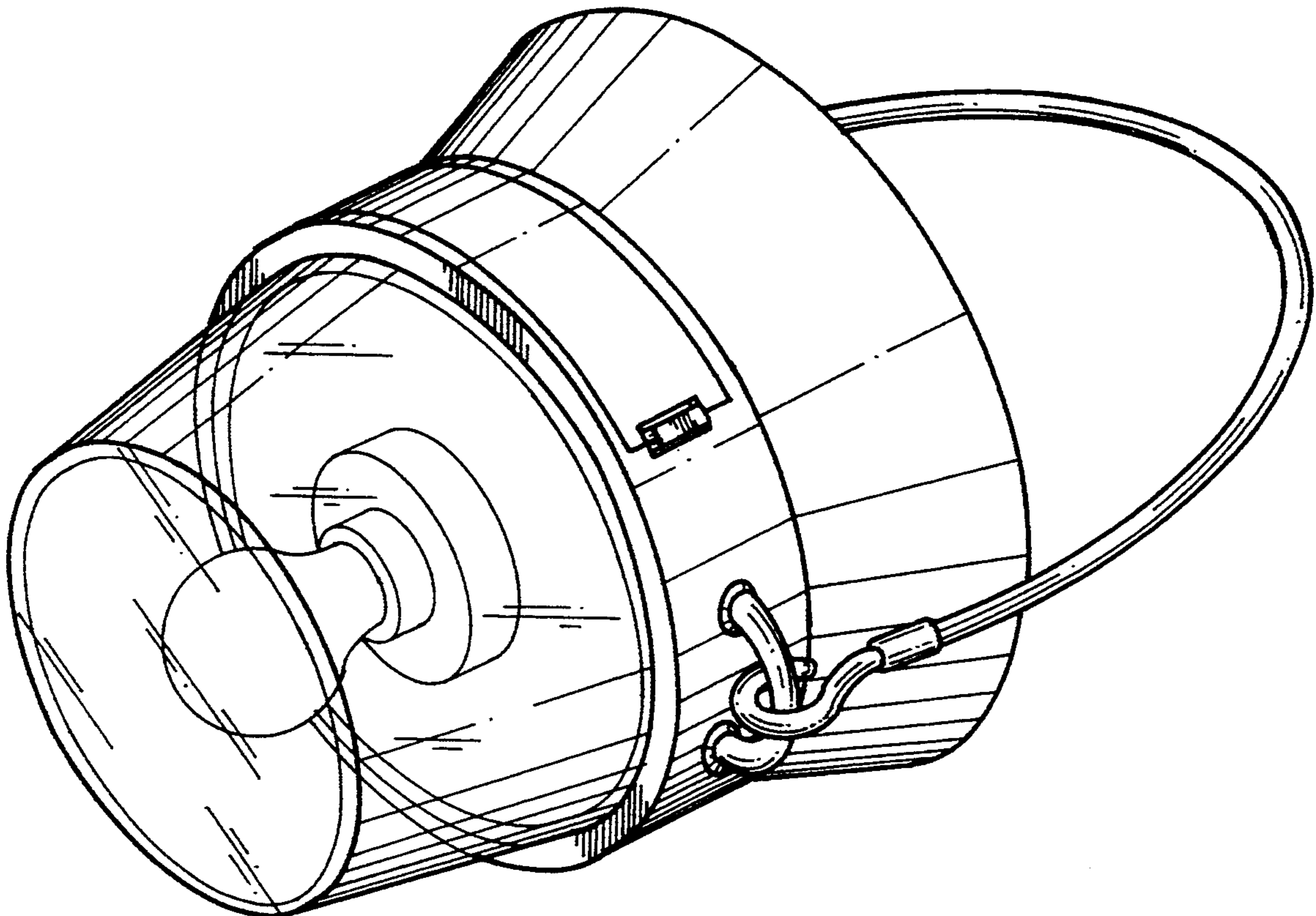
FIG. 1 is a front, top and side perspective view of the warning light for use on towed boats showing my new design;

[56] **References Cited**

U.S. PATENT DOCUMENTS

D. 267,202 12/1982 Potts .
2,520,565 8/1950 Rivers D10/114
3,504,339 3/1970 Bailey D10/114

FIG. 2 is a front elevational view thereof;
FIG. 3 is a rear elevational view thereof;
FIG. 4 is a side elevational view thereof;
FIG. 5 is a side elevational view thereof;
FIG. 6 is a top plan view thereof; and,
FIG. 7 is a bottom plan view thereof.



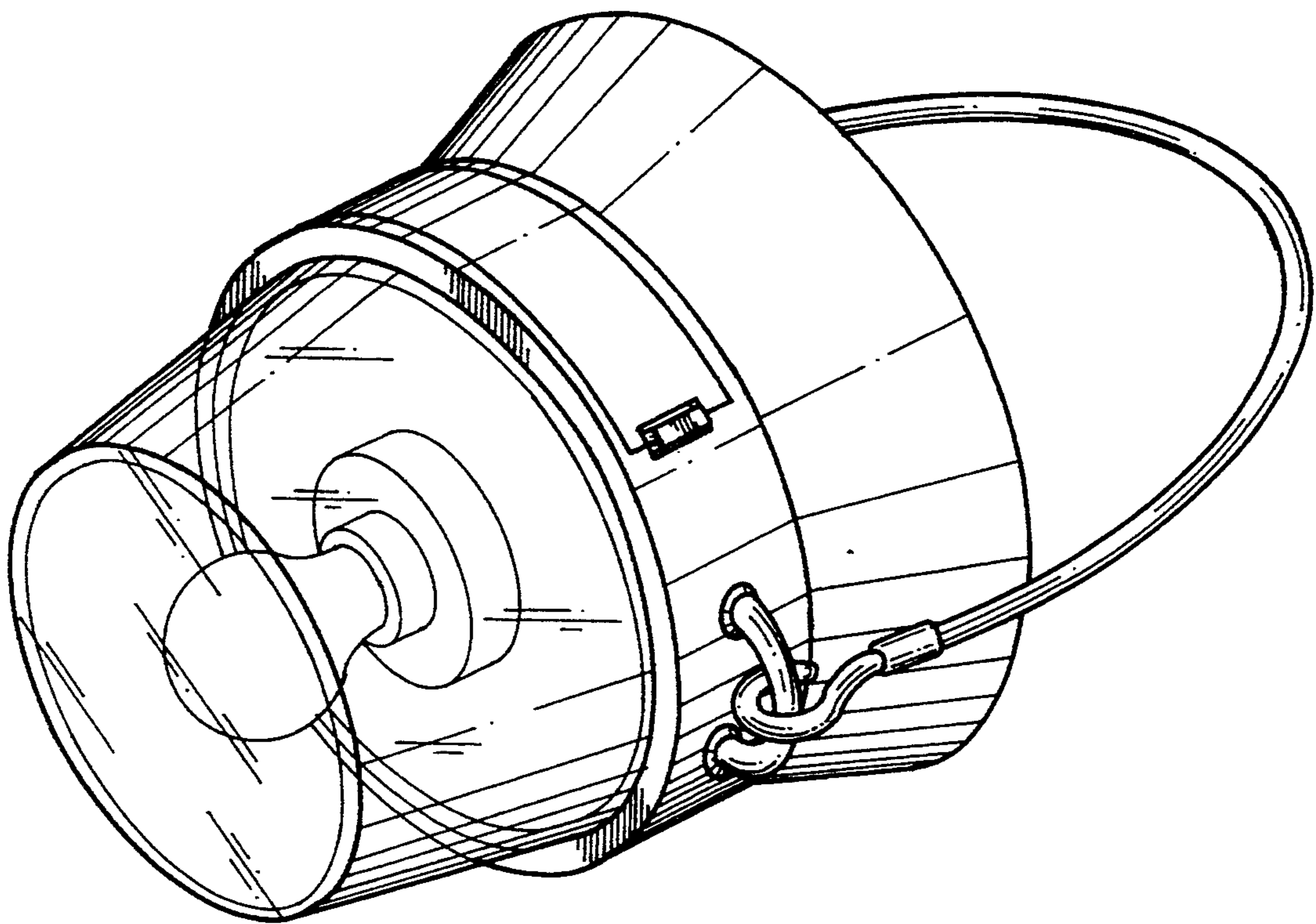


FIG. 1.

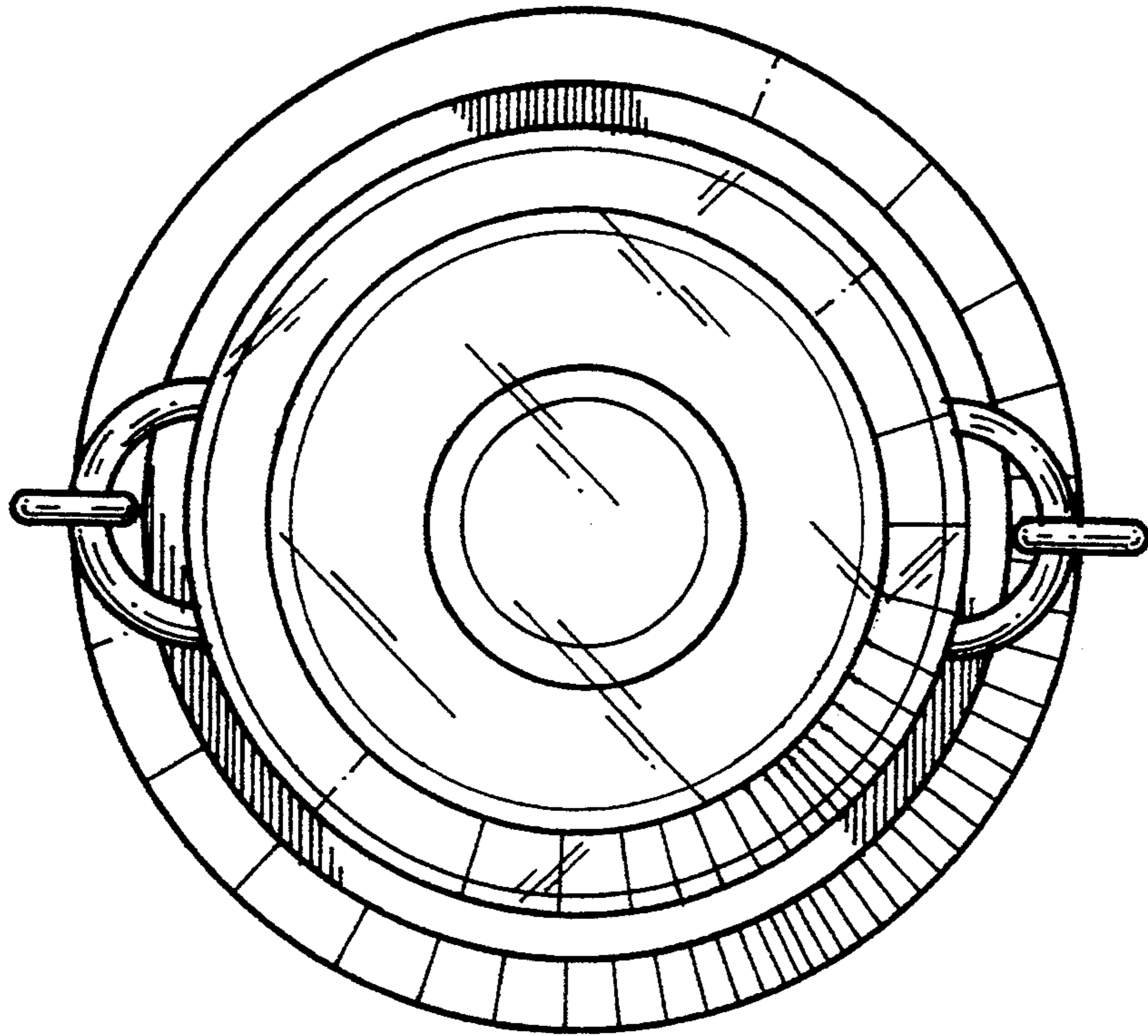


FIG. 2.

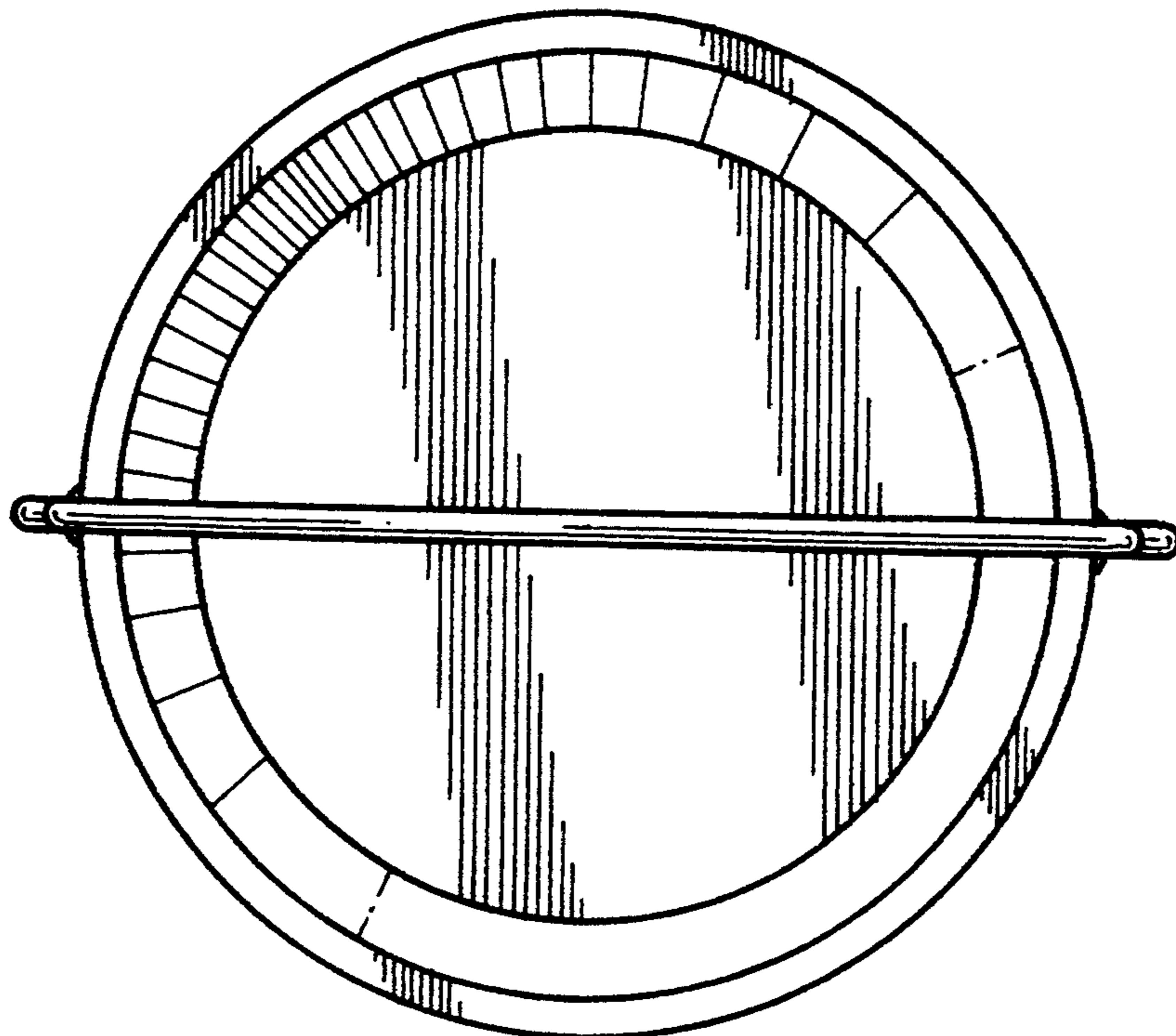


FIG. 3.

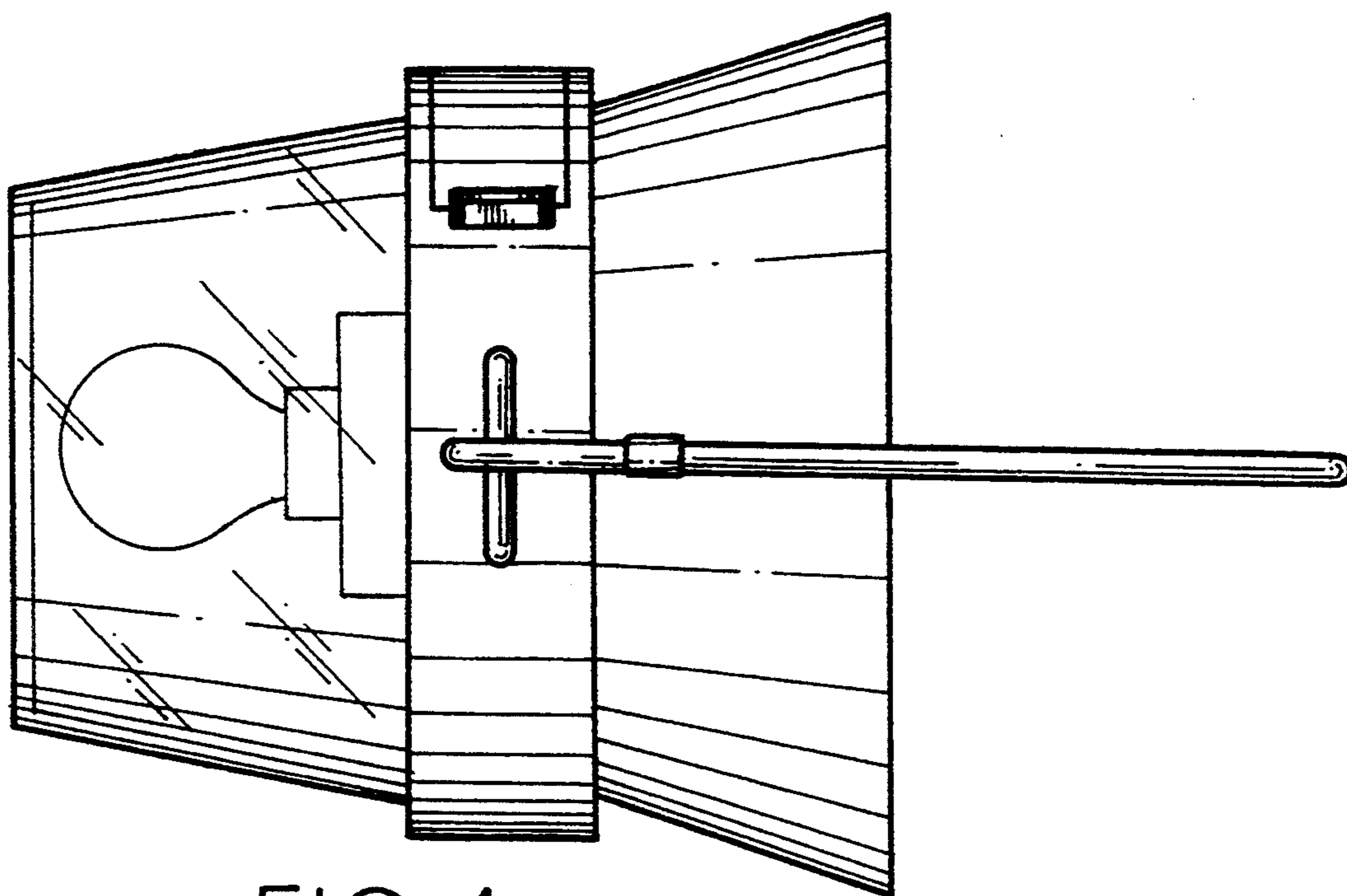


FIG. 4.

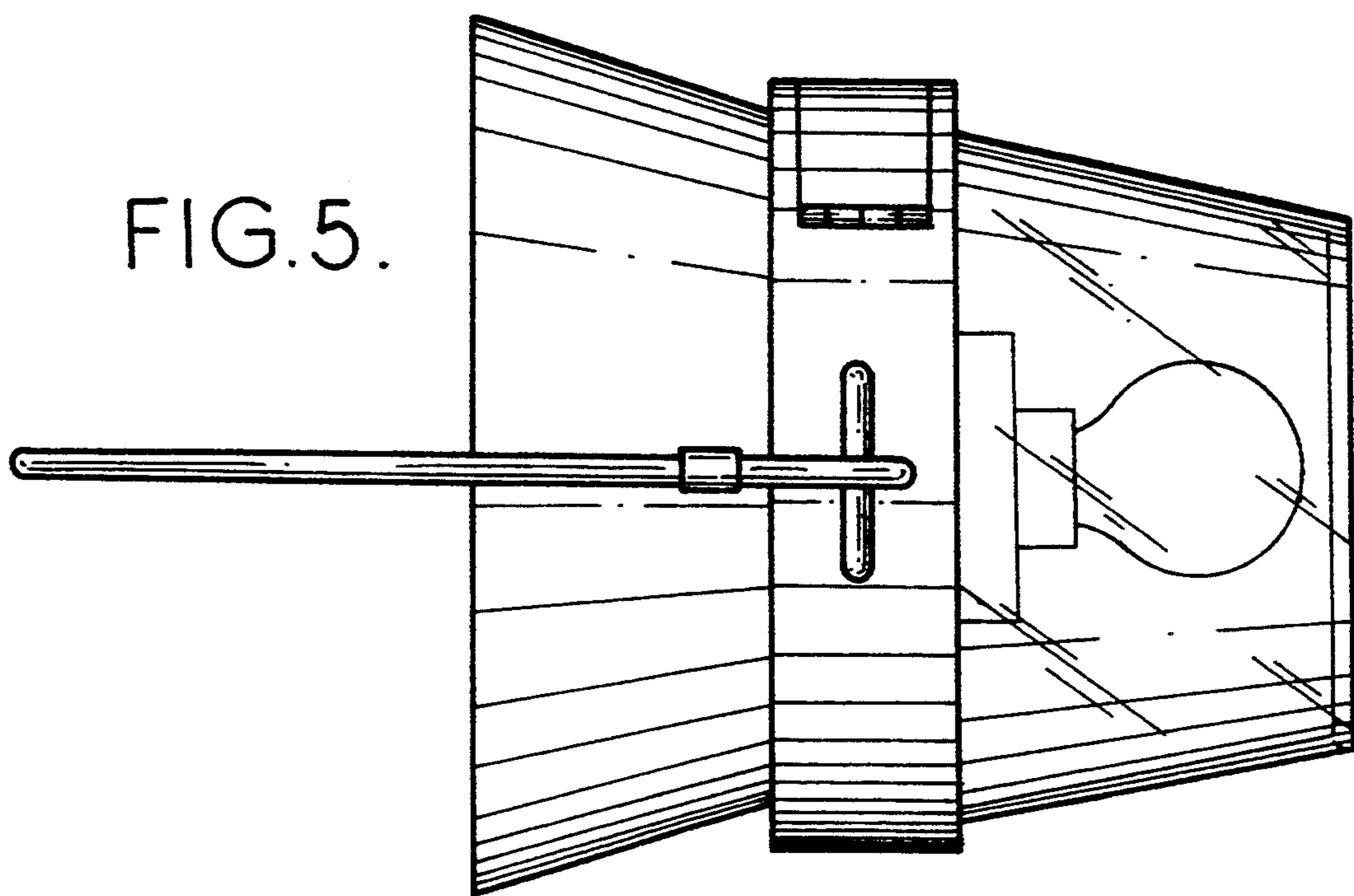


FIG. 5.

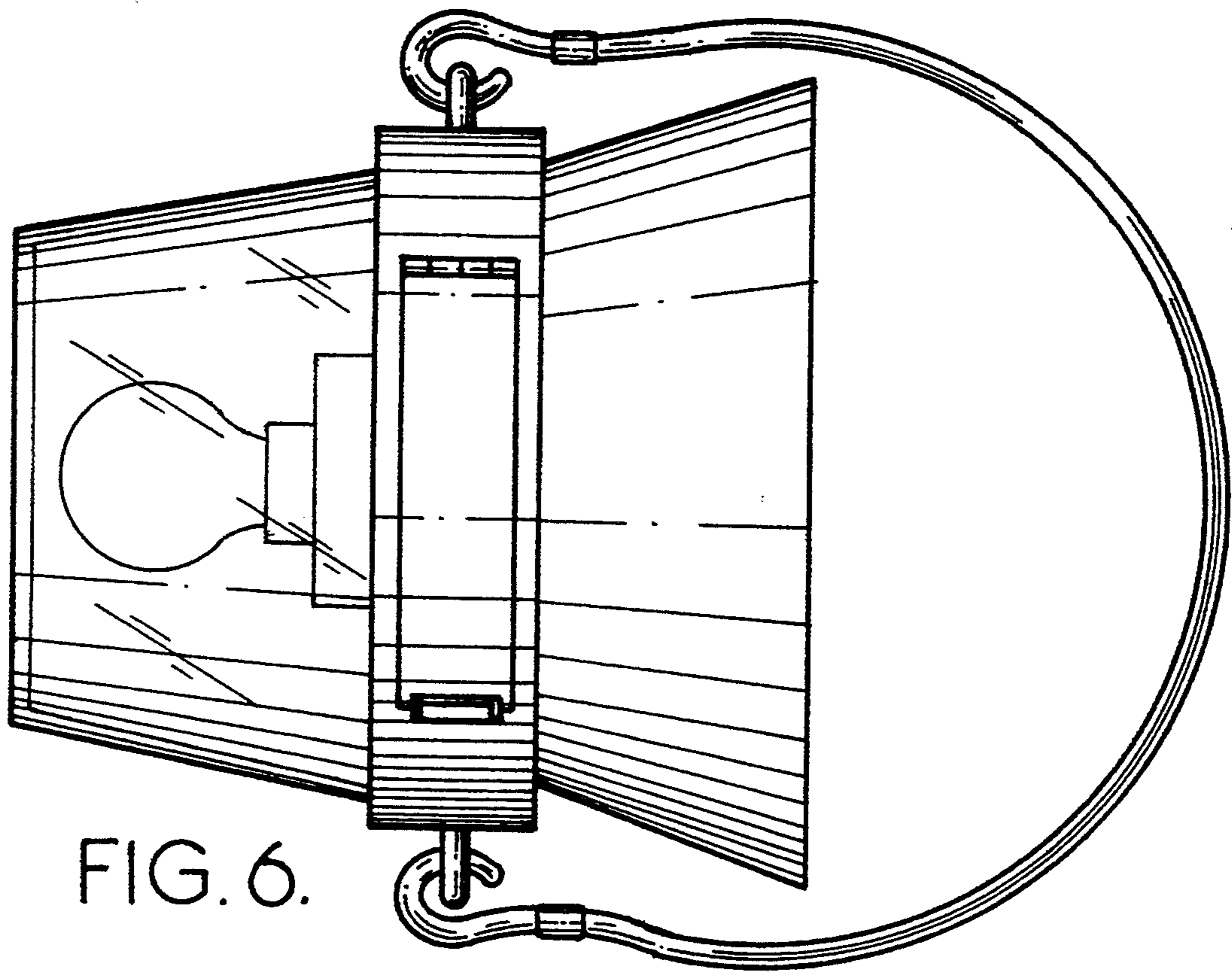


FIG. 6.

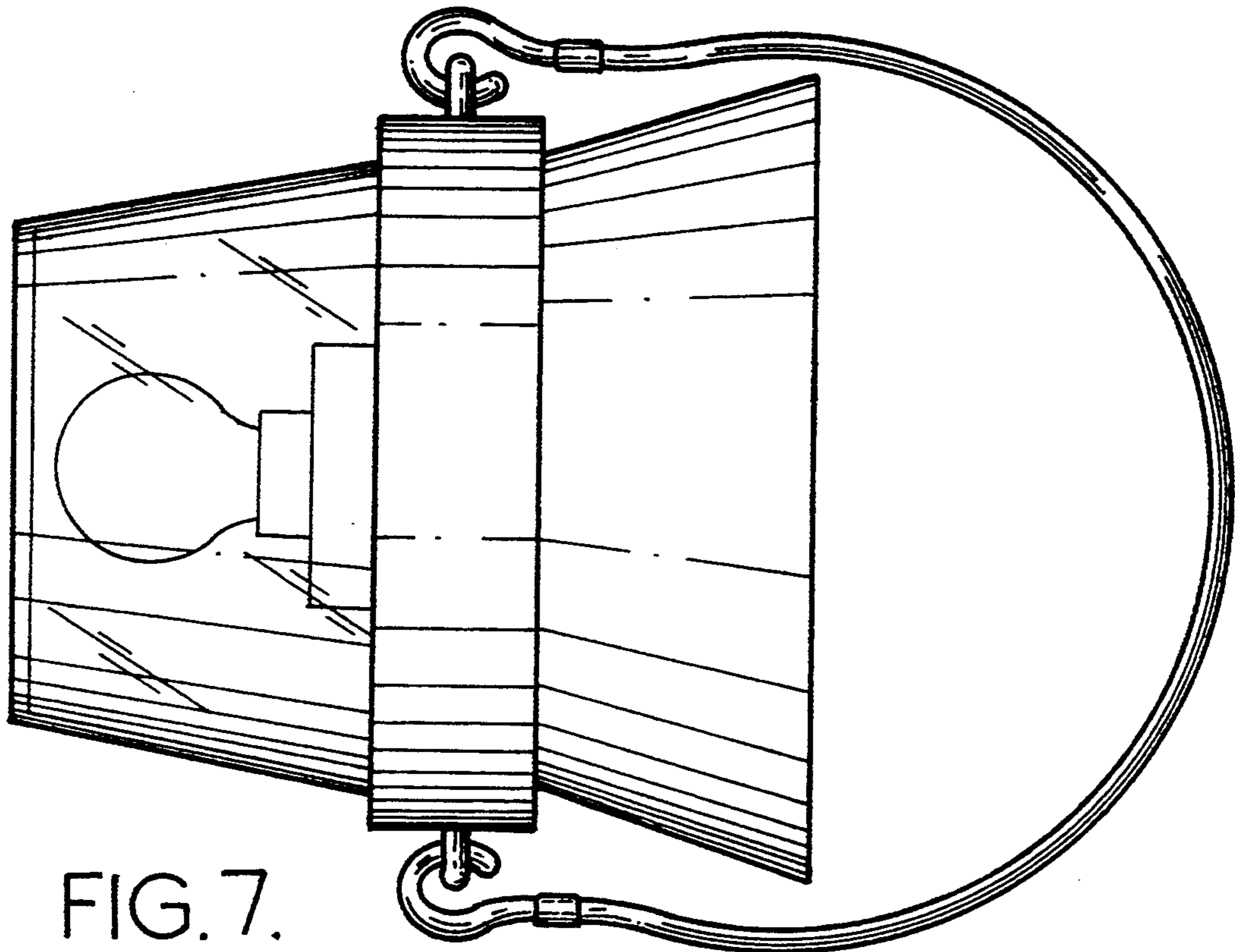


FIG. 7.