



US00D355862S

# United States Patent [19]

[11] Patent Number: **Des. 355,862**

Tice et al.

[45] Date of Patent: **\*\* Feb. 28, 1995**

## [54] HOUSING FOR A SMOKE DETECTOR

[75] Inventors: **Lee D. Tice, Bartlett; Eric W. Anderson, St. Charles, both of Ill.**

[73] Assignee: **Pittway Corporation, Chicago, Ill.**

[\*\*] Term: **14 Years**

[21] Appl. No.: **8,721**

[22] Filed: **May 25, 1993**

[52] U.S. Cl. .... **D10/106**

[58] Field of Search ..... **D10/104, 106, 116, 121; 340/540, 541, 542, 545, 546, 547, 552, 565, 566, 568, 576, 628, 629, 630, 632**

## [56] References Cited

### U.S. PATENT DOCUMENTS

59,980	1/1988	Dimock .	
D. 249,481	9/1978	Conforti et al. ....	D10/106
D. 249,482	9/1978	Conforti et al. ....	D10/106
D. 249,483	9/1978	Conforti et al. ....	D10/106
D. 258,353	2/1981	Mango et al. ....	D10/106
D. 261,997	11/1981	Westphal ....	D10/106
D. 262,868	2/1982	Westphal ....	D10/106
D. 262,952	2/1982	Hanig ....	D10/106
D. 271,287	11/1983	Fenne ....	D10/106
D. 276,471	11/1984	Fenne ....	D10/106
D. 283,407	4/1986	Fenne ....	D10/106
D. 284,748	7/1986	Fenne ....	D10/106
D. 308,835	6/1990	Fenne ....	D10/106
D. 308,836	6/1990	Fenne ....	D10/106
D. 314,719	2/1991	Gardner ....	D10/106
D. 316,828	5/1991	Amemiya et al. ....	D10/106
D. 319,798	9/1991	Hatano ....	D10/106
D. 332,231	1/1993	Akimoto et al. ....	D10/106
D. 339,078	9/1993	Behlke ....	D10/106
D. 339,998	10/1993	Igarashi et al. ....	D10/106

### FOREIGN PATENT DOCUMENTS

70719	6/1992	Canada .
26724/203	10/1964	United Kingdom .

## OTHER PUBLICATIONS

System Sensor, Model 18002-Wire Systems Detectors, 2 pg. brochure, May 1988.  
 System Sensor, 400 Serial Next Generation Detectors, 2 pg. brochure, 1991.  
 System Sensor, 4451E/5451E2 Plug-In Thermal Detectors; 2 pg. brochure, Jun., 1992.  
 System Sensor, 400 Series Ionization Smoke Detectors; 2 pg. brochure, Oct., 1991.  
 System Sensor, 2851 Series 2/4/6-Wire Systems Detectors, 2 pg. Brochure, Oct. 1988.  
 System Sensor, 5551B Intelligent Fixed Temperature Thermal Sensor With Integral Communications, 2 pg. brochure, 1991.  
 System Sensor, 400 Series Plug-In Smoke Detectors, 4 pg. brochure, Jul. 1992.  
 Nittan Model 2KH advertisement, believed to have been published in Jun., 1992.  
 Tann 5400 Series Smoke Detector, two information sheets, believed to have been published on or about Jun., 1992.

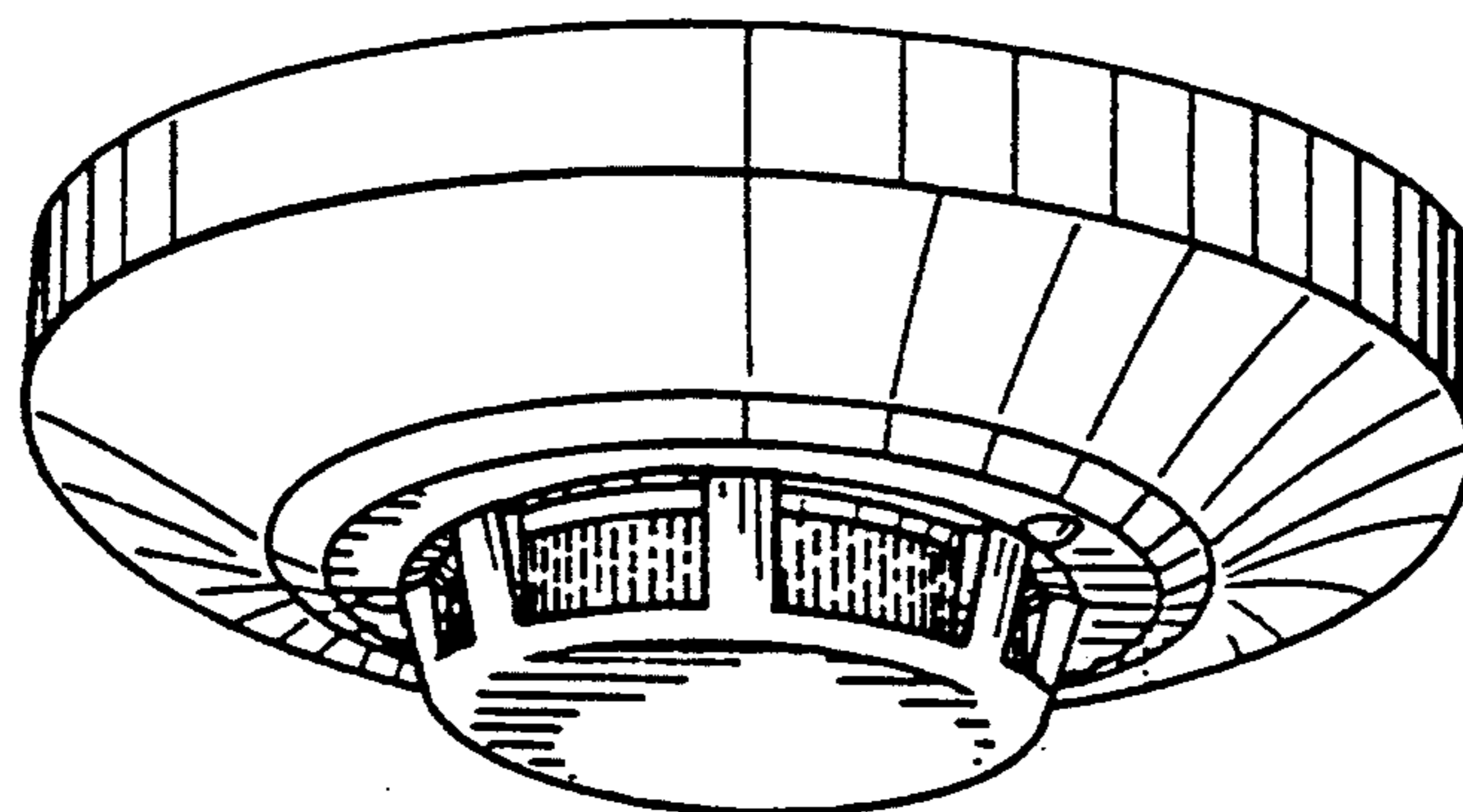
*Primary Examiner*—Wallace R. Burke  
*Assistant Examiner*—Marcus Jackson  
*Attorney, Agent, or Firm*—Dressler, Goldsmith, Shore & Milnamow Ltd.

## [57] CLAIM

The ornamental design for housing for a smoke detector, as shown and described.

## DESCRIPTION

FIG. 1 is a perspective view of a housing for a smoke detector showing our new design;  
 FIG. 2 is a side elevational view thereof, with the opposite sides being a mirror image;  
 FIG. 3 is a top plan view thereof, with the bottom being flat and unornamented;  
 FIG. 4 is a perspective view of a second embodiment thereof;  
 FIG. 5 is a side elevational view thereof, with the opposite sides being a mirror image; and,  
 FIG. 6 is a top plan view thereof, with the bottom being flat and unornamented.



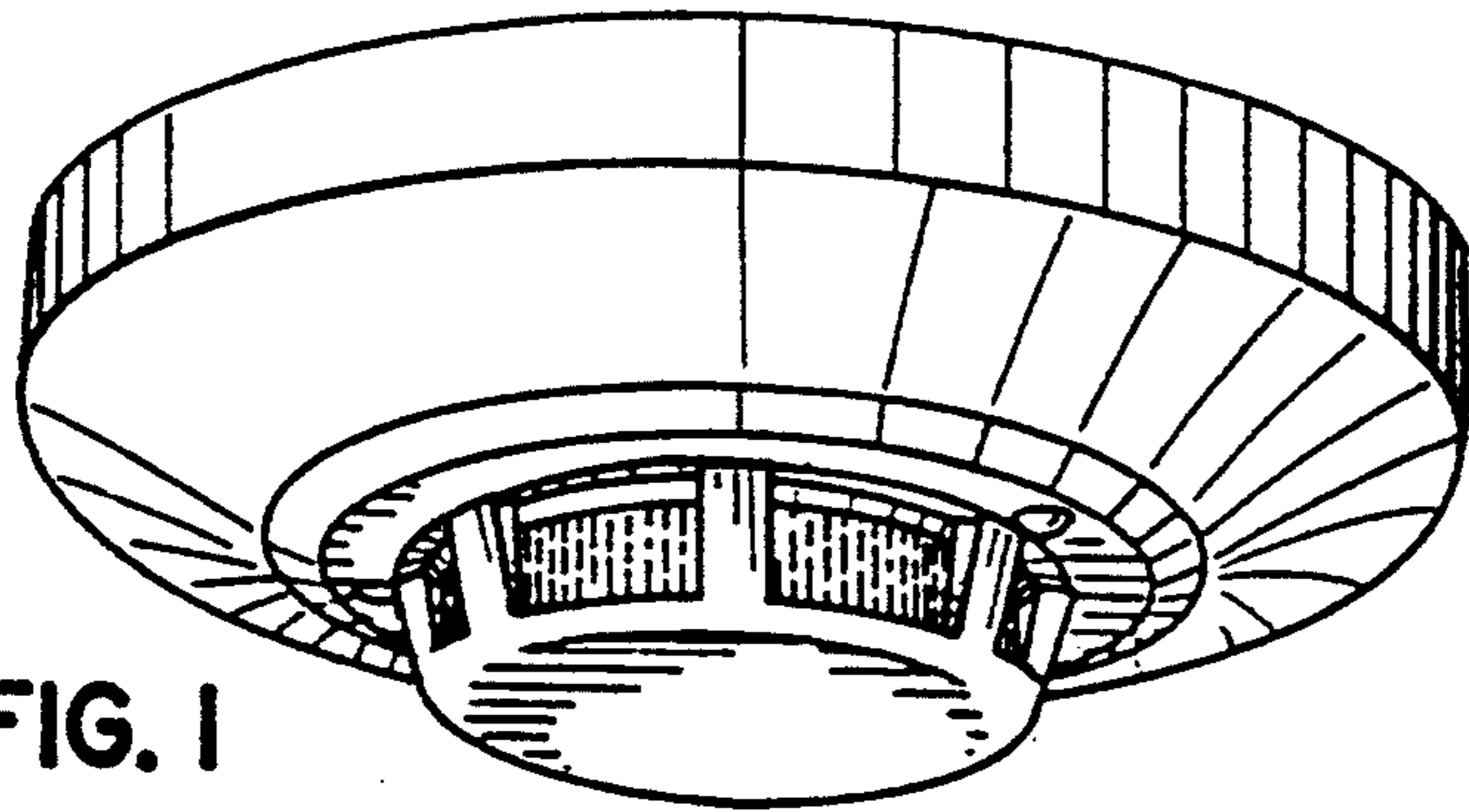


FIG. 1

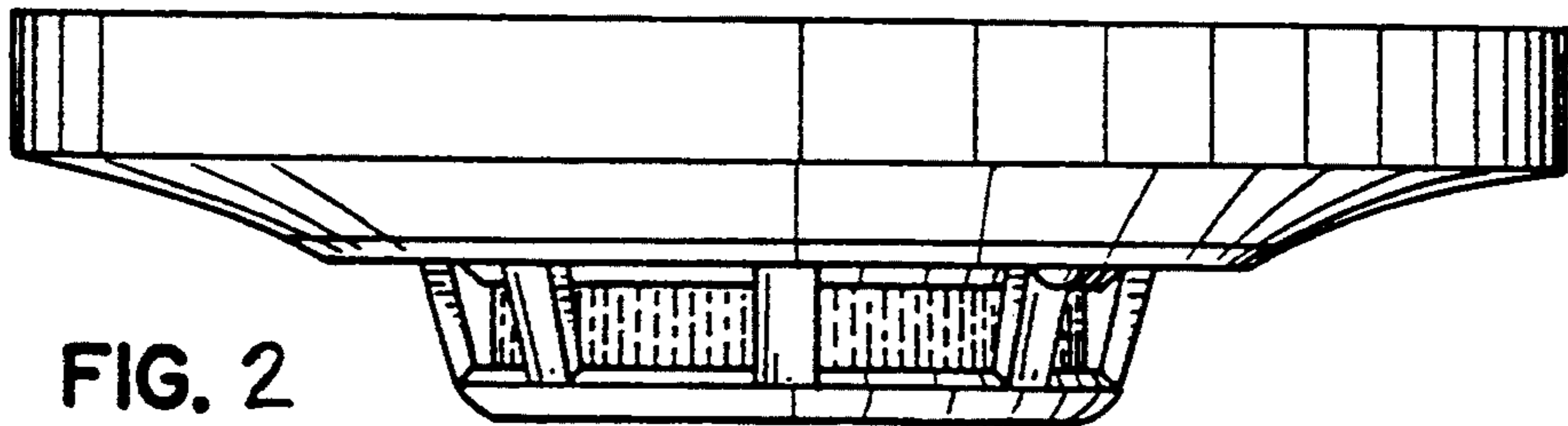


FIG. 2

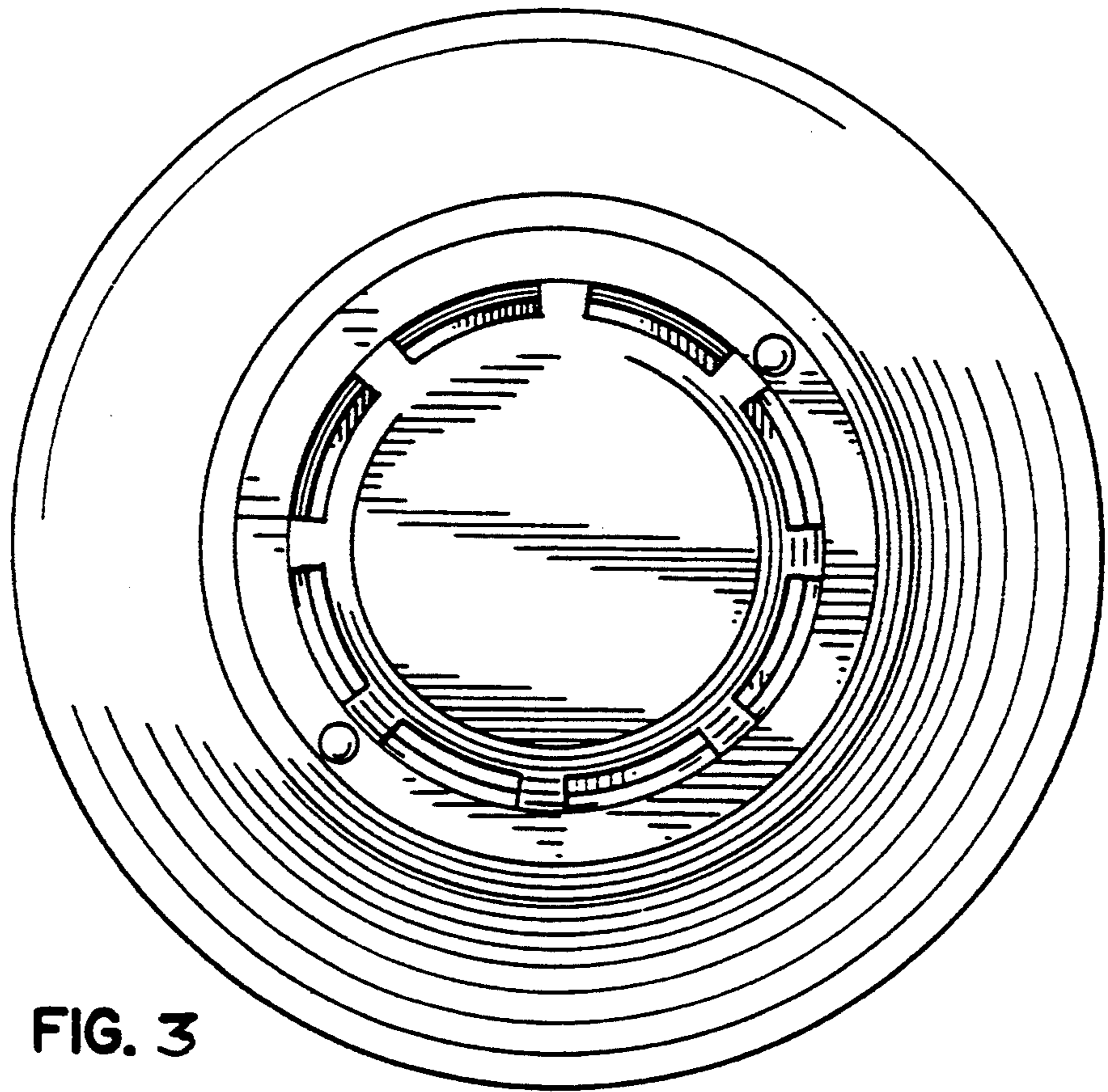


FIG. 3

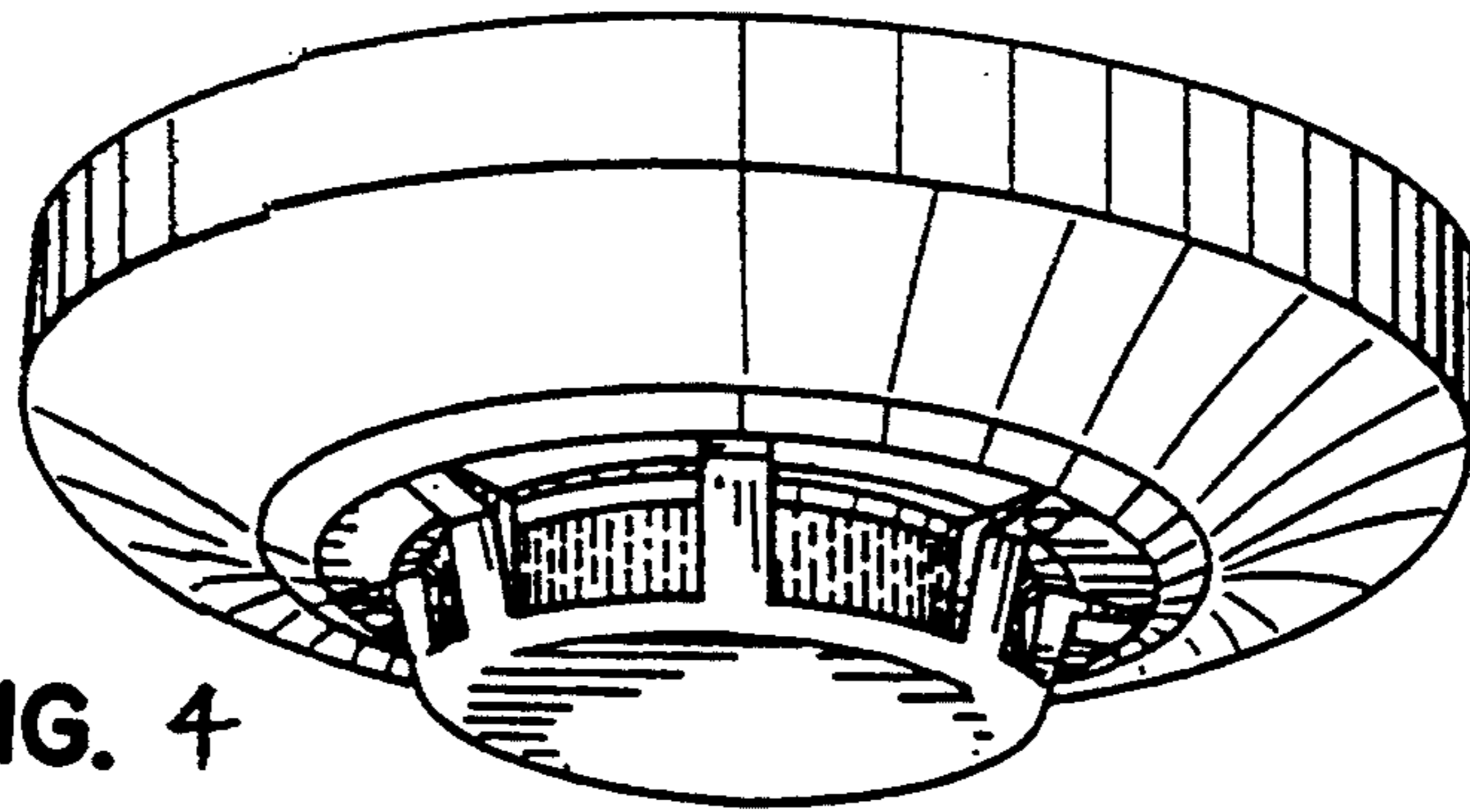


FIG. 4

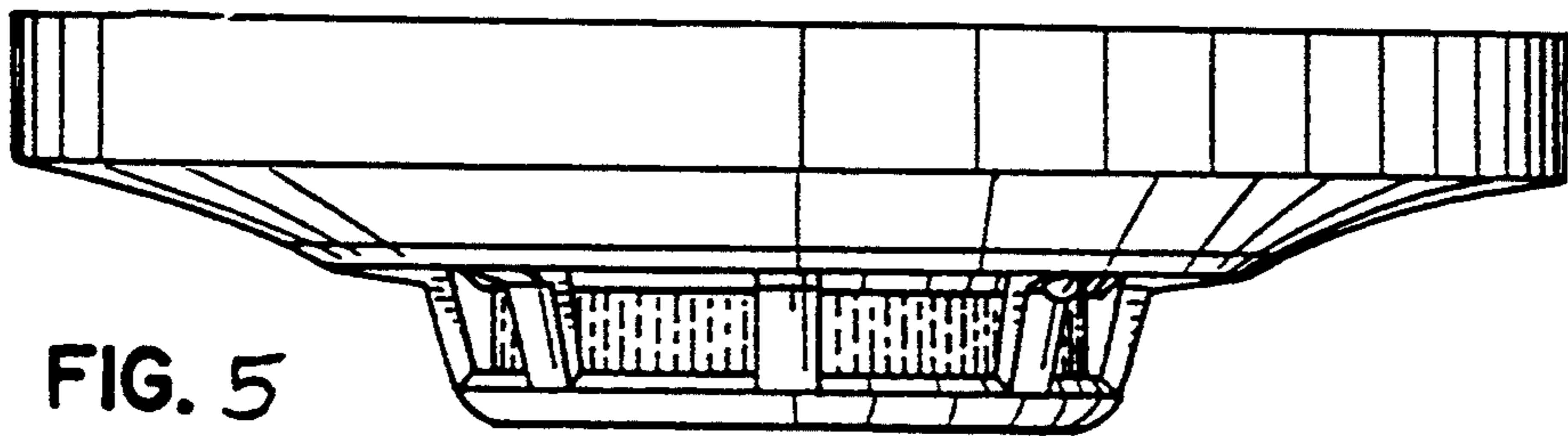


FIG. 5

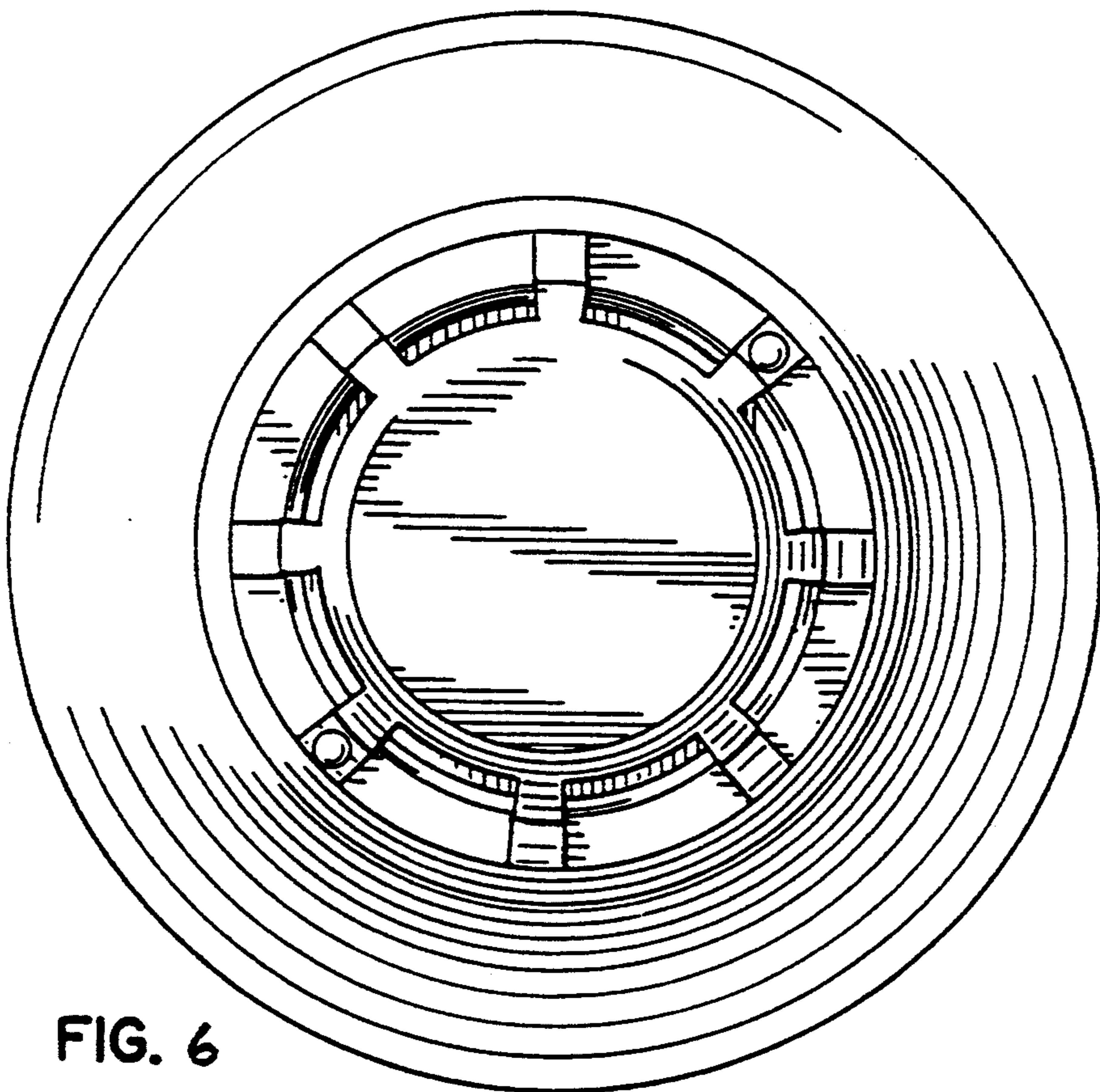


FIG. 6