



US00D355860S

United States Patent [19]

[11] Patent Number: **Des. 355,860**

Lund

[45] Date of Patent: **** Feb. 28, 1995**

[54] **STADIOMETER**

4,134,213 1/1979 Kushmuk .
4,155,168 5/1979 DuBois .

[76] Inventor: **Marvin S. Lund**, 5322 Frost Point Cir., Prior Lake, Minn. 55372

FOREIGN PATENT DOCUMENTS

[**] Term: **14 Years**

2244143A 11/1991 United Kingdom .

[21] Appl. No.: **14,582**

Primary Examiner—Alan P. Douglas

[22] Filed: **Oct. 25, 1993**

Assistant Examiner—Antoine D. Davis

[52] U.S. Cl. **D10/70**

Attorney, Agent, or Firm—Burd, Bartz & Gutenkauf

[58] Field of Search D10/61, 70, 71; 33/512, 33/769, 770, 832, 833; 128/774, 781

[57] **CLAIM**

The ornamental design for a stadiometer, as shown and described.

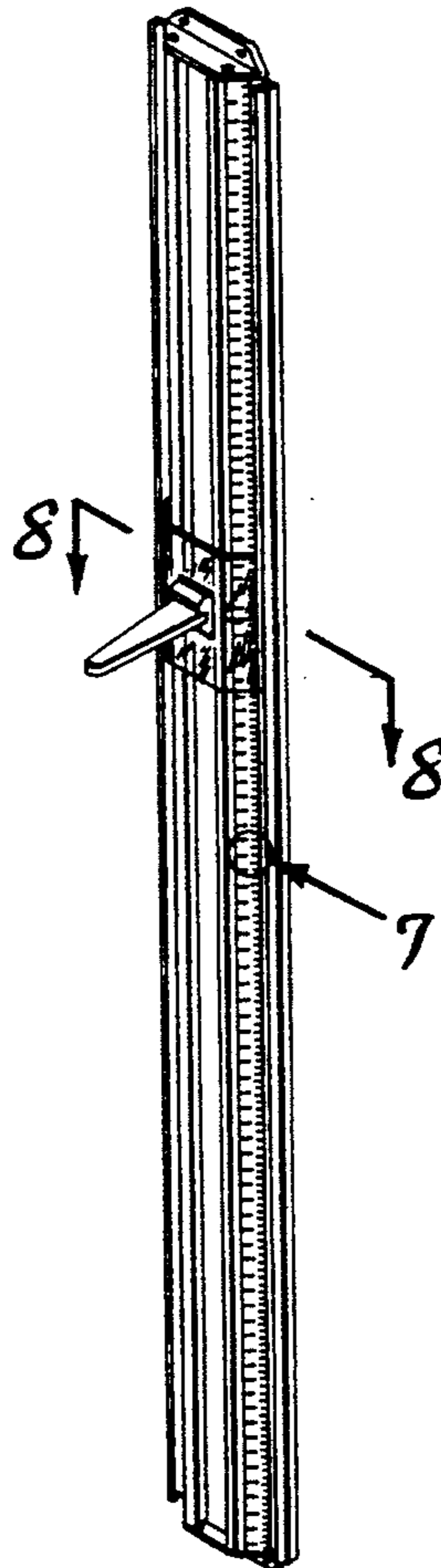
[56] **References Cited**

U.S. PATENT DOCUMENTS

DESCRIPTION

- D. 207,668 5/1967 McAtee D10/71
- D. 210,411 3/1968 Joyce D10/71
- D. 228,670 10/1973 Hall D10/71
- D. 293,087 12/1987 Grinde D10/71 X
- 442,192 12/1890 Lewis .
- 1,860,184 5/1932 Jacobs .
- 2,028,052 1/1936 Easterly .
- 2,110,895 3/1938 Verdier 33/833 X
- 2,215,884 9/1940 Runge .
- 3,313,030 4/1967 Heys .
- 3,522,655 8/1970 Kilpatrick et al. .
- 3,672,061 6/1972 Alessi 33/833
- 4,121,344 10/1978 Goussios .

FIG. 1 is a perspective view of the stadiometer showing my new design;
 FIG. 2 is a top plan view thereof, the bottom view being a mirror image thereof;
 FIG. 3 is a front elevational view thereof;
 FIG. 4 is a left side elevational view thereof;
 FIG. 5 is a right side elevational view thereof;
 FIG. 6 is a rear elevational view thereof;
 FIG. 7 is an enlarged portion of the scale, as indicated at 7 in FIG. 1; and,
 FIG. 8 is an enlarged sectional view taken along the line 8—8 of FIG. 1.



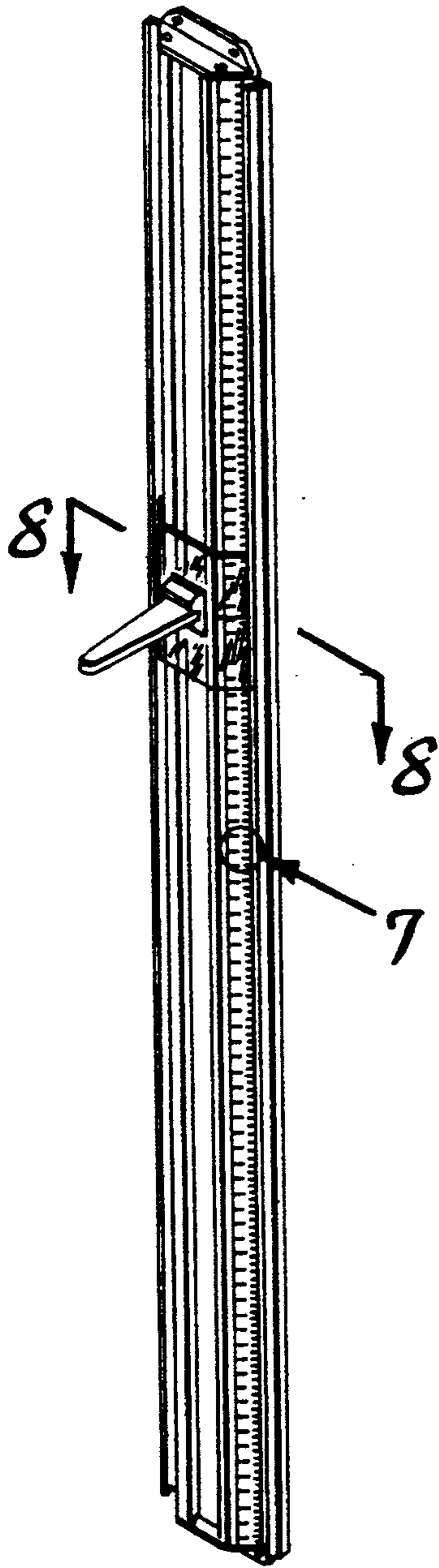


Fig. 1

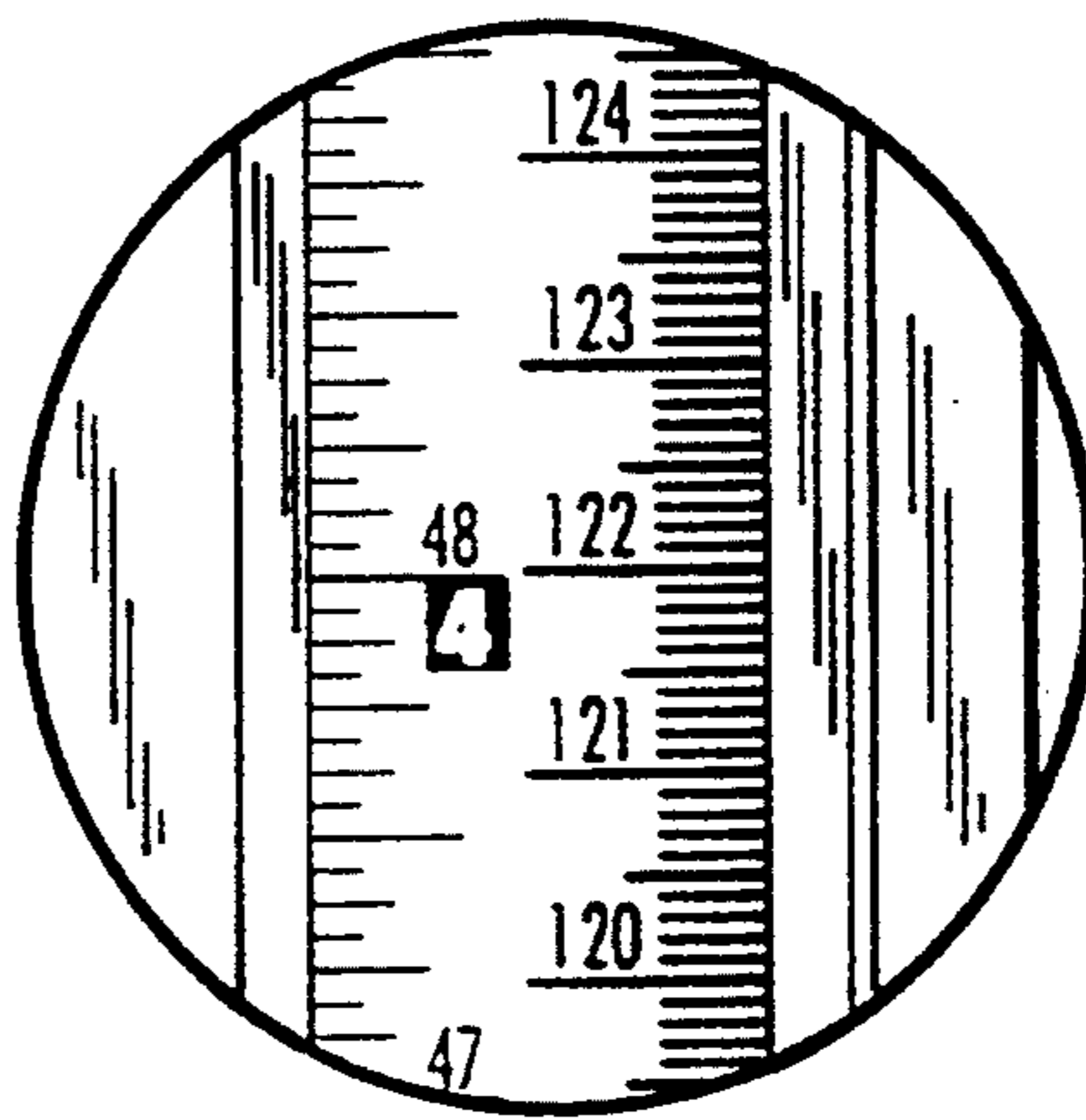


Fig. 7

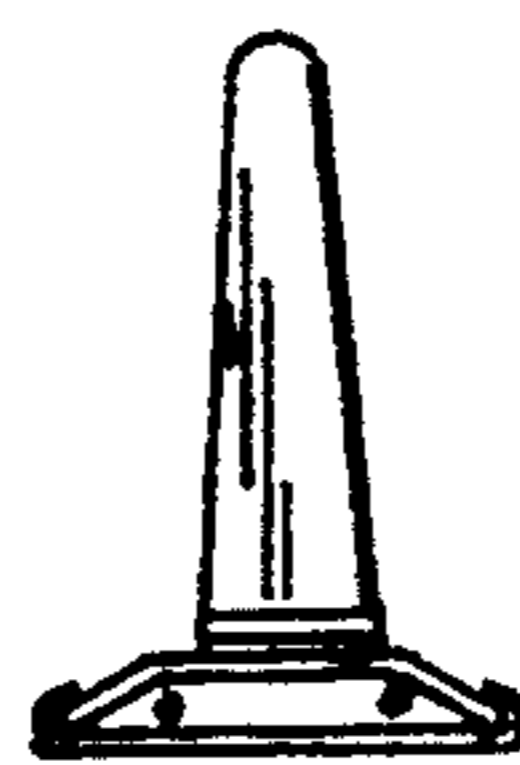


Fig. 2

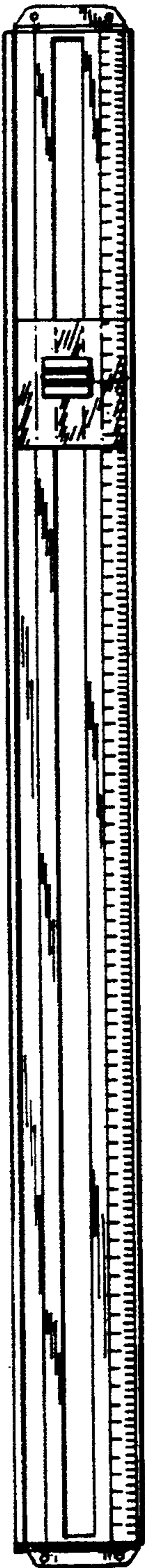


Fig. 3

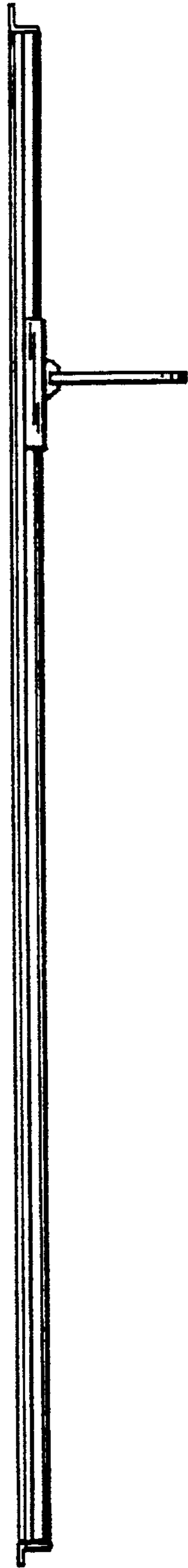


Fig. 4

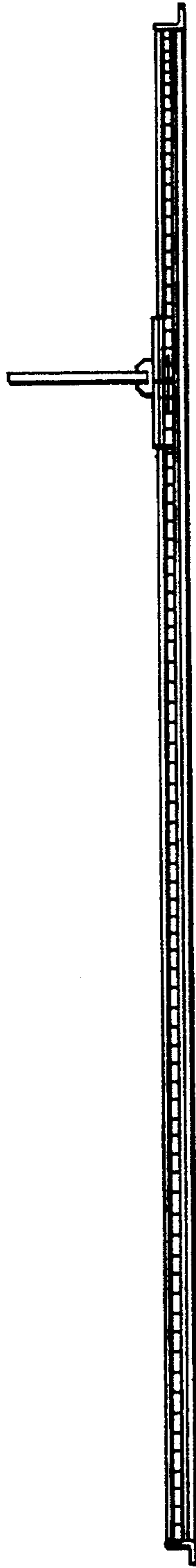


Fig. 5

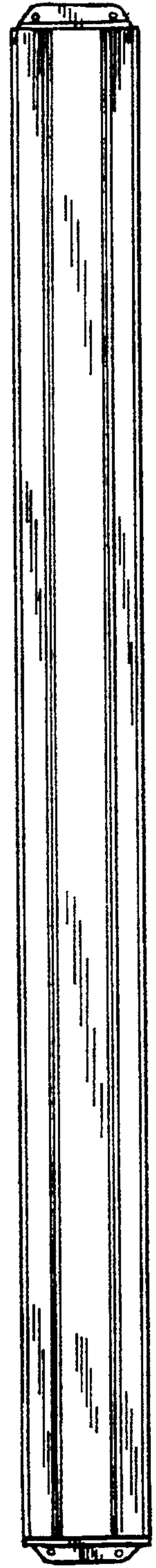


Fig. 6

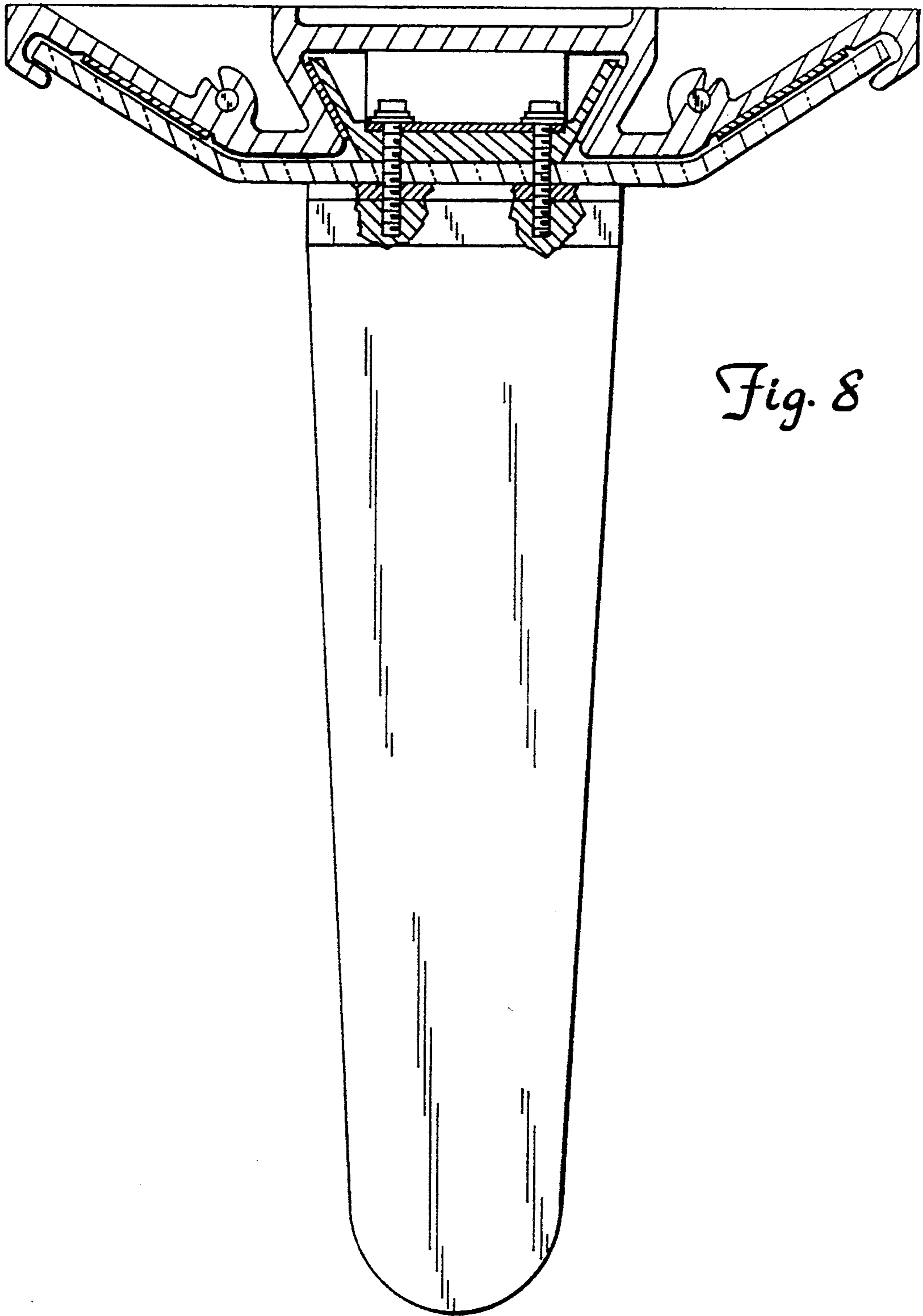


Fig. 8