



US00D355859S

United States Patent [19]

[11] Patent Number: **Des. 355,859**

Schroeder

[45] Date of Patent: **** Feb. 28, 1995**

- [54] **RAFTER AND GABLE-END MARKING TEMPLATE**
- [76] Inventor: **John F. Schroeder**, 300 Third Ave., Winder, Ga. 30680
- [**] Term: **14 Years**
- [21] Appl. No.: **9,092**
- [22] Filed: **Jun. 2, 1993**
- [52] U.S. Cl. **D10/64**
- [58] Field of Search D10/64, 71; 33/418, 33/420, 421, 429, 430, 481, 562

4,928,399 5/1990 Kragt 33/481 X

FOREIGN PATENT DOCUMENTS

204300 11/1956 Australia 33/481

Primary Examiner—Alan P. Douglas
Assistant Examiner—Antoine D. Davis

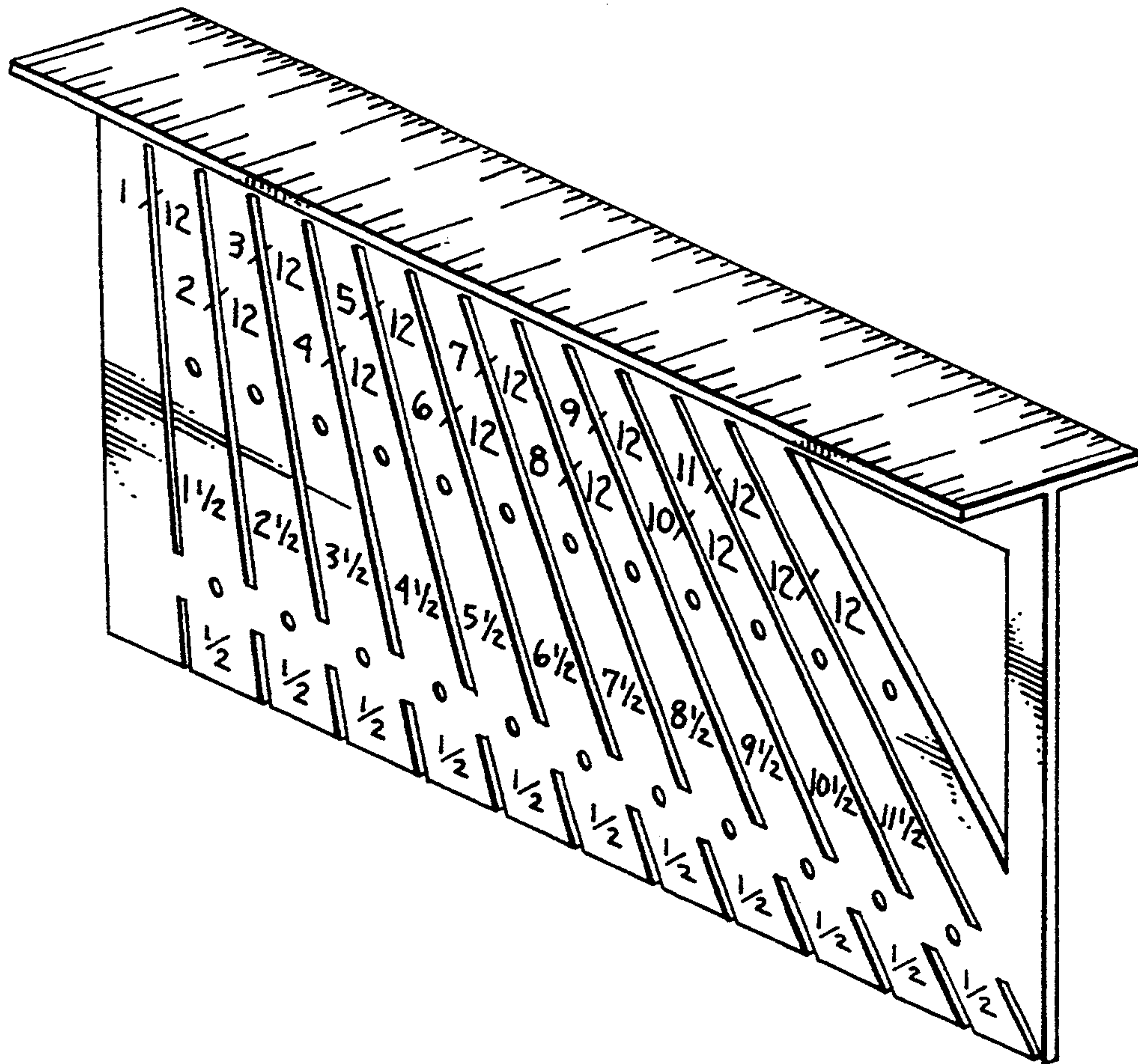
[57] CLAIM

The ornamental design for a rafter and gable-end marking template, as shown.

DESCRIPTION

FIG. 1 is a perspective view of a rafter and gable-end marking template showing my new design;
 FIG. 2 is a top plan view thereof;
 FIG. 3 is a right side elevational view thereof;
 FIG. 4 is a bottom plan view thereof;
 FIG. 5 is a left side elevational view thereof;
 FIG. 6 is a one end elevation view thereof; and,
 FIG. 7 is the other end elevation view thereof.

- [56] **References Cited**
- U.S. PATENT DOCUMENTS**
- D. 280,735 9/1985 Miller D10/64 X
- 1,693,227 11/1928 Ellis 33/481
- 2,204,927 6/1940 Cramer 33/481
- 3,183,596 5/1965 Shaw 33/481
- 4,651,434 3/1987 Haynes 33/481



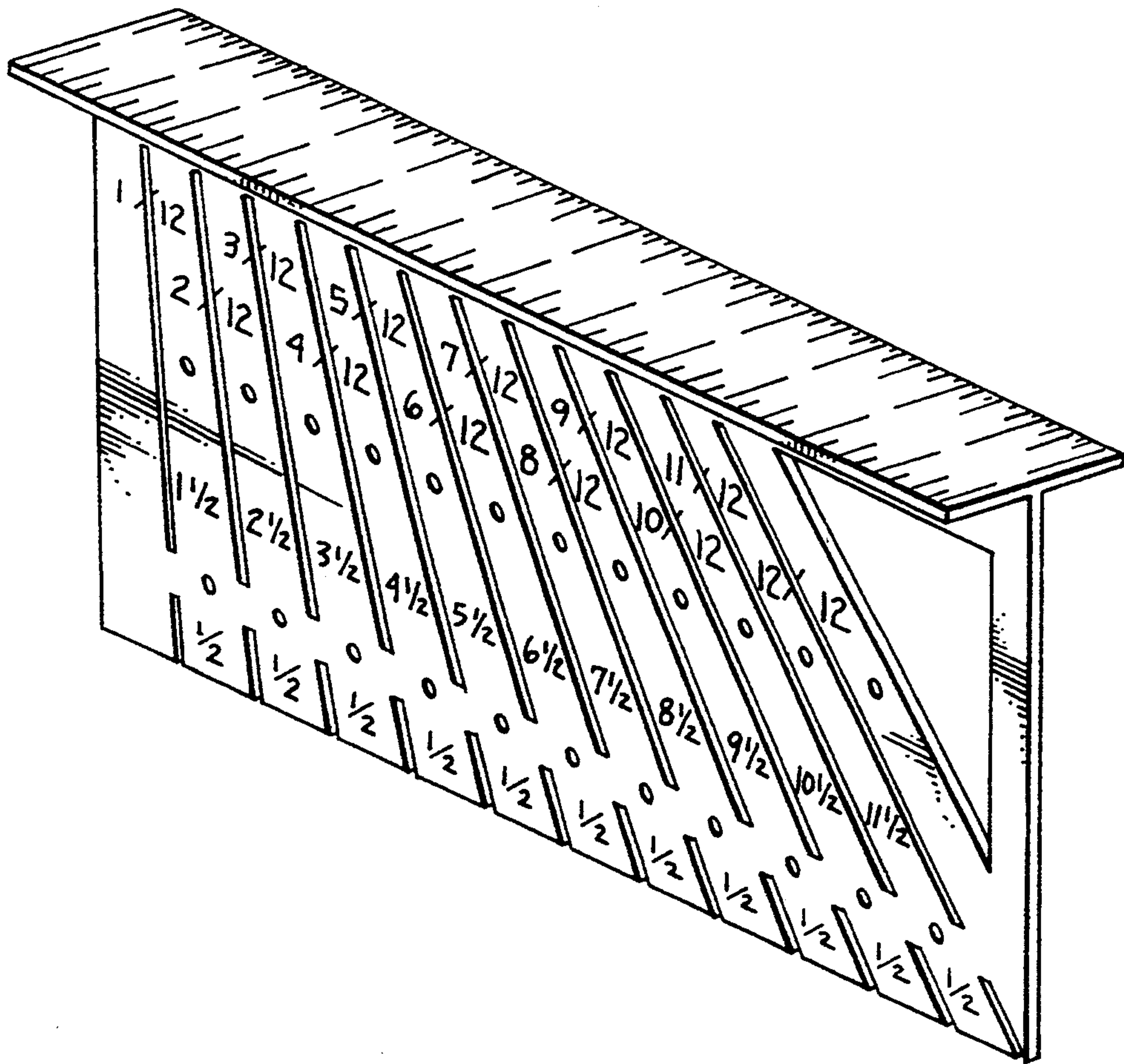


Fig. 1



Fig. 2

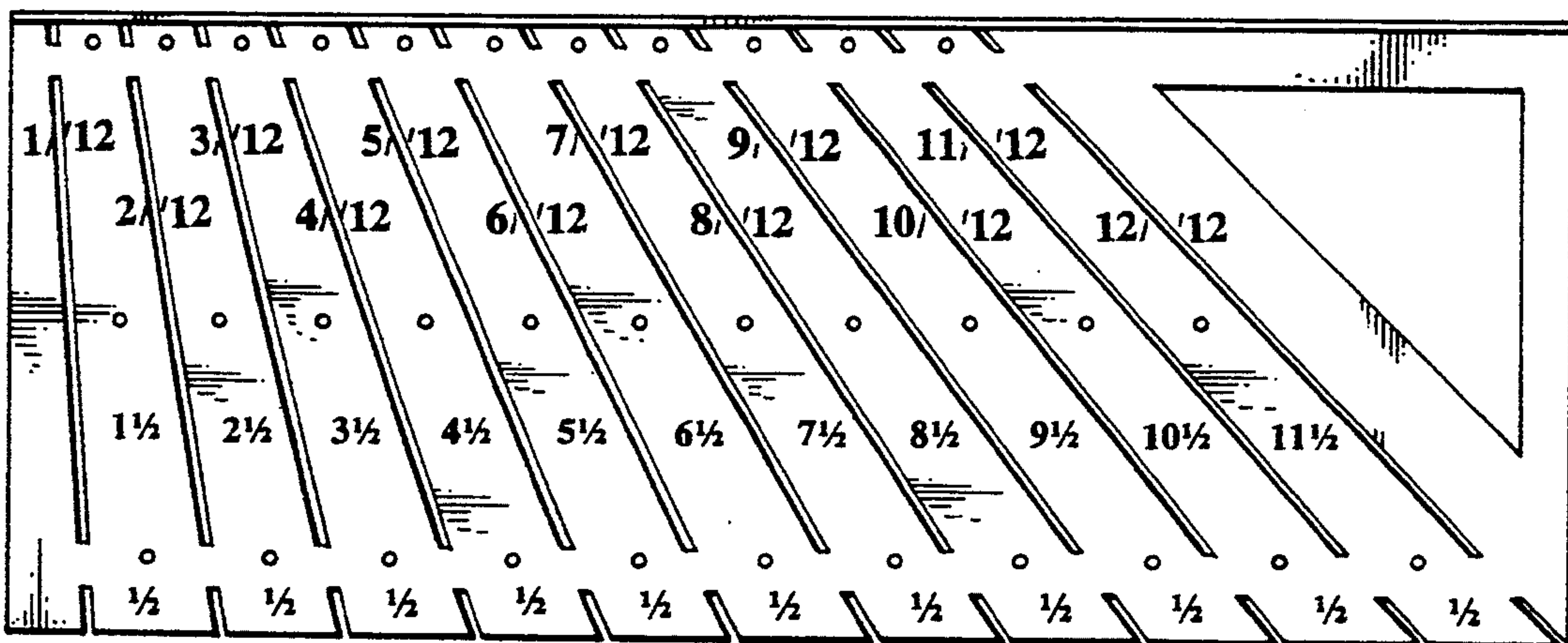


Fig. 3

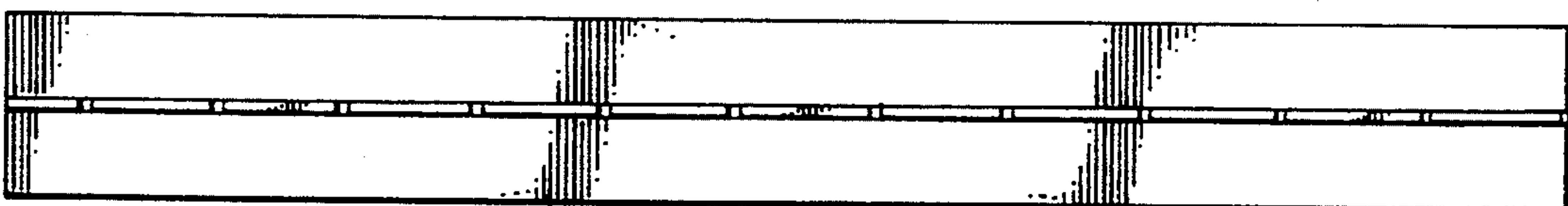


Fig. 4

Fig. 5

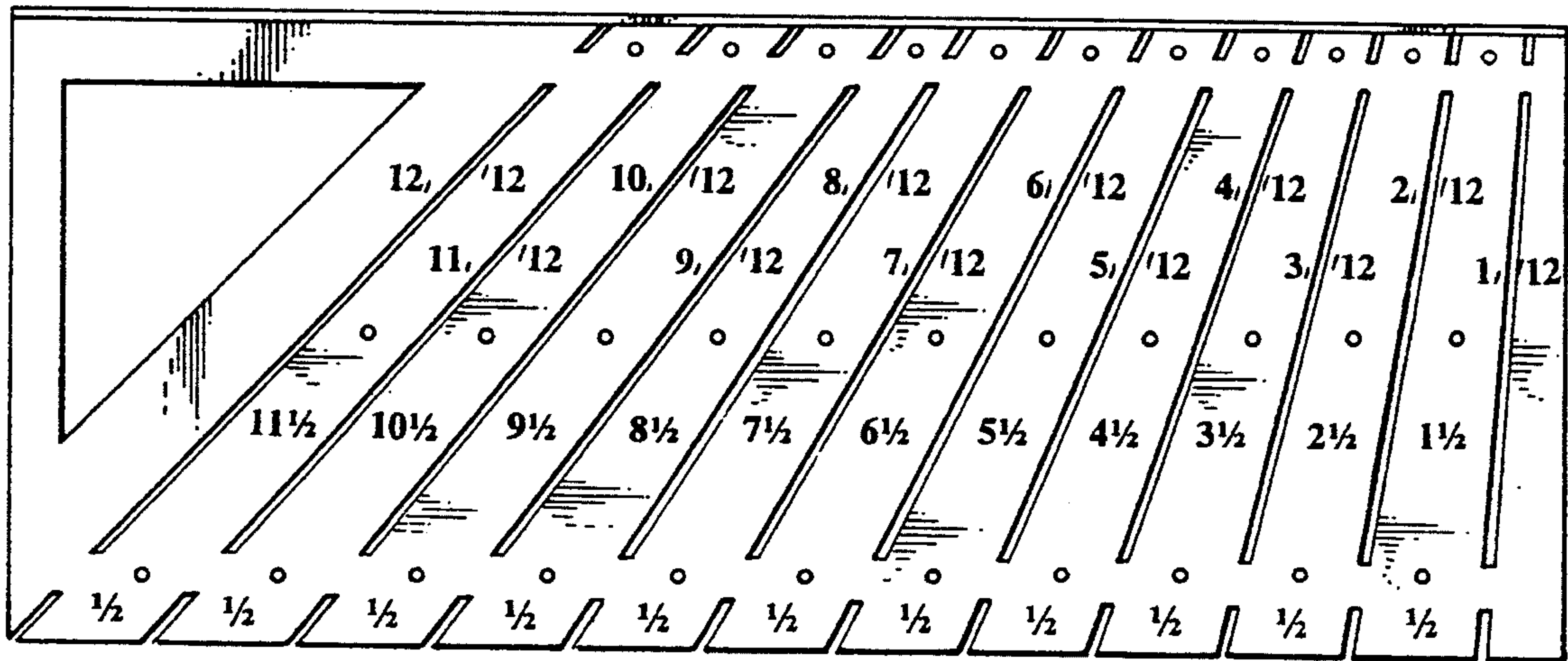


Fig. 6

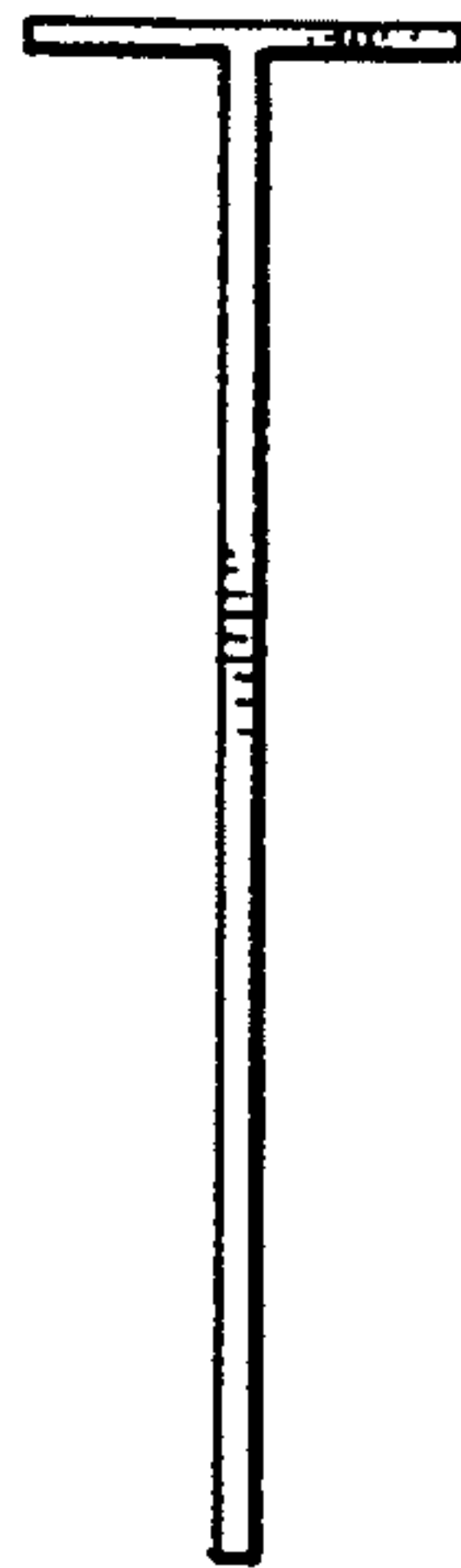


Fig. 7

