



US00D355853S

# United States Patent [19]

[11] Patent Number: **Des. 355,853**

Schmitt et al.

[45] Date of Patent: **\*\* Feb. 28, 1995**

[54] **SPLASHLESS LIQUID POURING CONTAINER**

1,605,702	11/1926	Brierley .
3,396,875	11/1966	Finch .
3,680,744	8/1972	Daniels, Jr. .
4,394,943	7/1983	Sjonell .
4,856,685	8/1989	Gaffney .
4,893,732	1/1990	Jennings ..... 222/475 X

[76] Inventors: **Donald H. Schmitt; Michael J. Schmitt; Anthony L. Schmitt**, all of P.O. Box 53, St. Cloud, Minn. 56302

[\*\*] Term: **14 Years**

### OTHER PUBLICATIONS

[21] Appl. No.: **5,892**

Valvoline products, publication, Apr., 1989.

[22] Filed: **Mar. 15, 1993**

*Primary Examiner*—Lucy J. Lieberman  
*Attorney, Agent, or Firm*—Richard O. Bartz

### Related U.S. Application Data

[63] Continuation-in-part of Ser. No. 801,116, Dec. 2, 1991, Pat. No. Des. 333,980, which is a continuation-in-part of Ser. No. 898,758, Jun. 15, 1992.

### [57] CLAIM

The ornamental design for a splashless liquid pouring container, as shown and described.

[52] U.S. Cl. .... **D9/524; D9/446; D9/520; D9/526; D9/527**

### DESCRIPTION

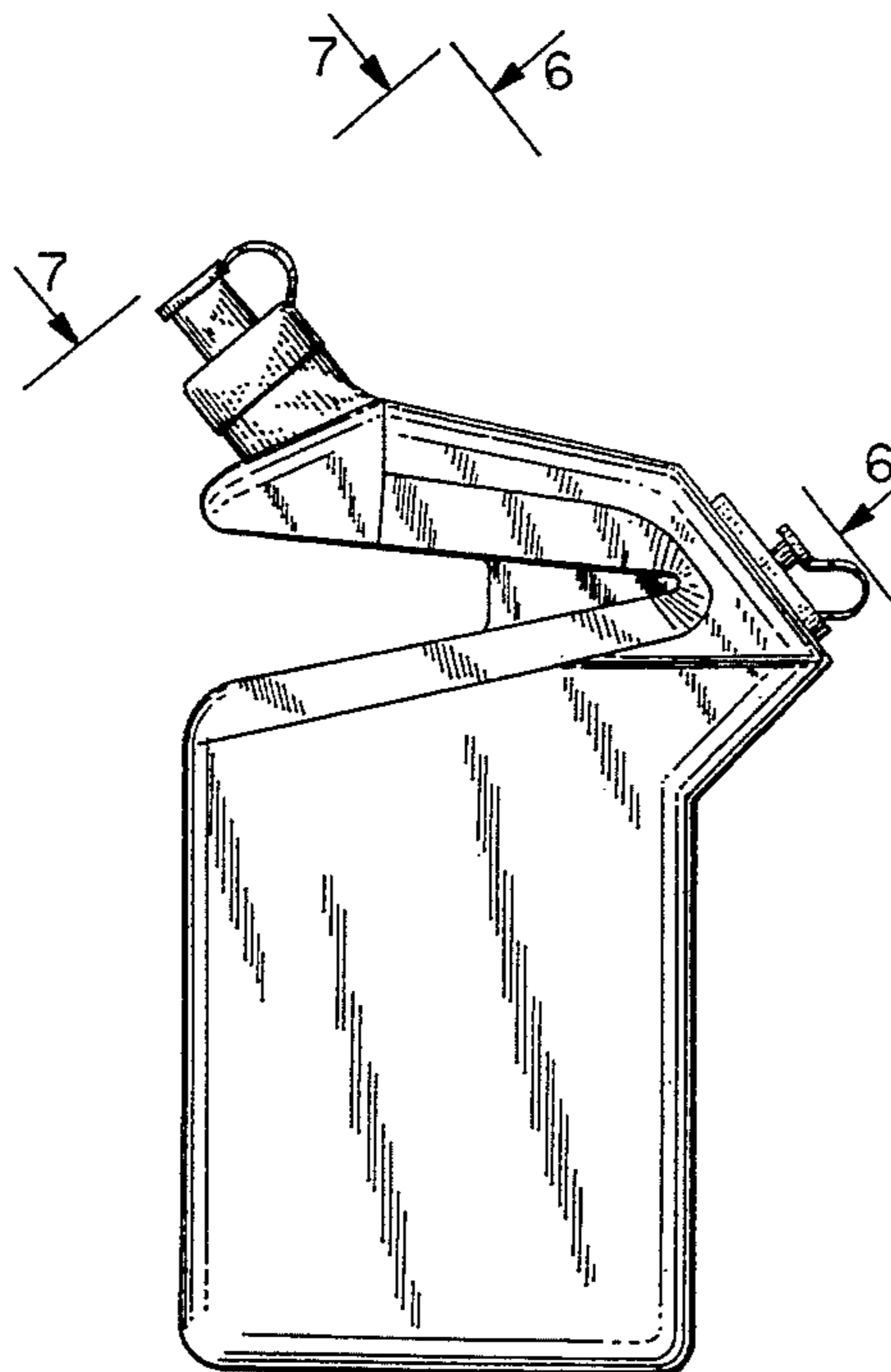
[58] Field of Search ..... **D9/524, 526, 527, 523, D9/528, 520, 534; 215/1 R, 1 C, 100 A; 222/475, 454**

FIG. 1 is a front elevational view of the splashless liquid pouring container showing our new design;  
 FIG. 2 is a side elevational view thereof, the opposite side being a mirror image thereof;  
 FIG. 3 is a rear elevational view thereof;  
 FIG. 4 is a top plan view thereof;  
 FIG. 5 is a bottom plan view thereof;  
 FIG. 6 is a view along the plane of line 6—6 looking in the directions of the arrows;  
 FIG. 7 is a view along the plane of line 7—7 looking in the direction of the arrows;  
 FIG. 8 is a front elevational view of a modification of the splashless liquid pouring container showing our new design;  
 FIG. 9 is a side elevational view of FIG. 8, the opposite side being a mirror image thereof;  
 FIG. 10 is a rear elevational view of FIG. 8;  
 FIG. 11 is a top plan view of FIG. 8; and,  
 FIG. 12 is a bottom plan view of FIG. 8.

### [56] References Cited

#### U.S. PATENT DOCUMENTS

D. 50,815	5/1917	Lee .....	D9/526
203,706	2/1966	Platte .	
D. 226,168	1/1973	Muscatiello .....	D9/528 X
D. 227,443	6/1973	Weckman .	
D. 235,623	7/1975	Lloveras .	
D. 243,656	3/1977	Hutter et al. .	
D. 245,577	8/1977	Smythe .	
D. 246,156	10/1977	Muscatiello et al. ....	D9/534 X
D. 270,518	9/1983	Duering .....	D9/526 X
D. 284,641	7/1986	Jones .	
D. 293,550	1/1988	Rohrer .....	D9/527
D. 307,546	5/1990	Lyons .....	D9/526
840,532	1/1907	Webb .	



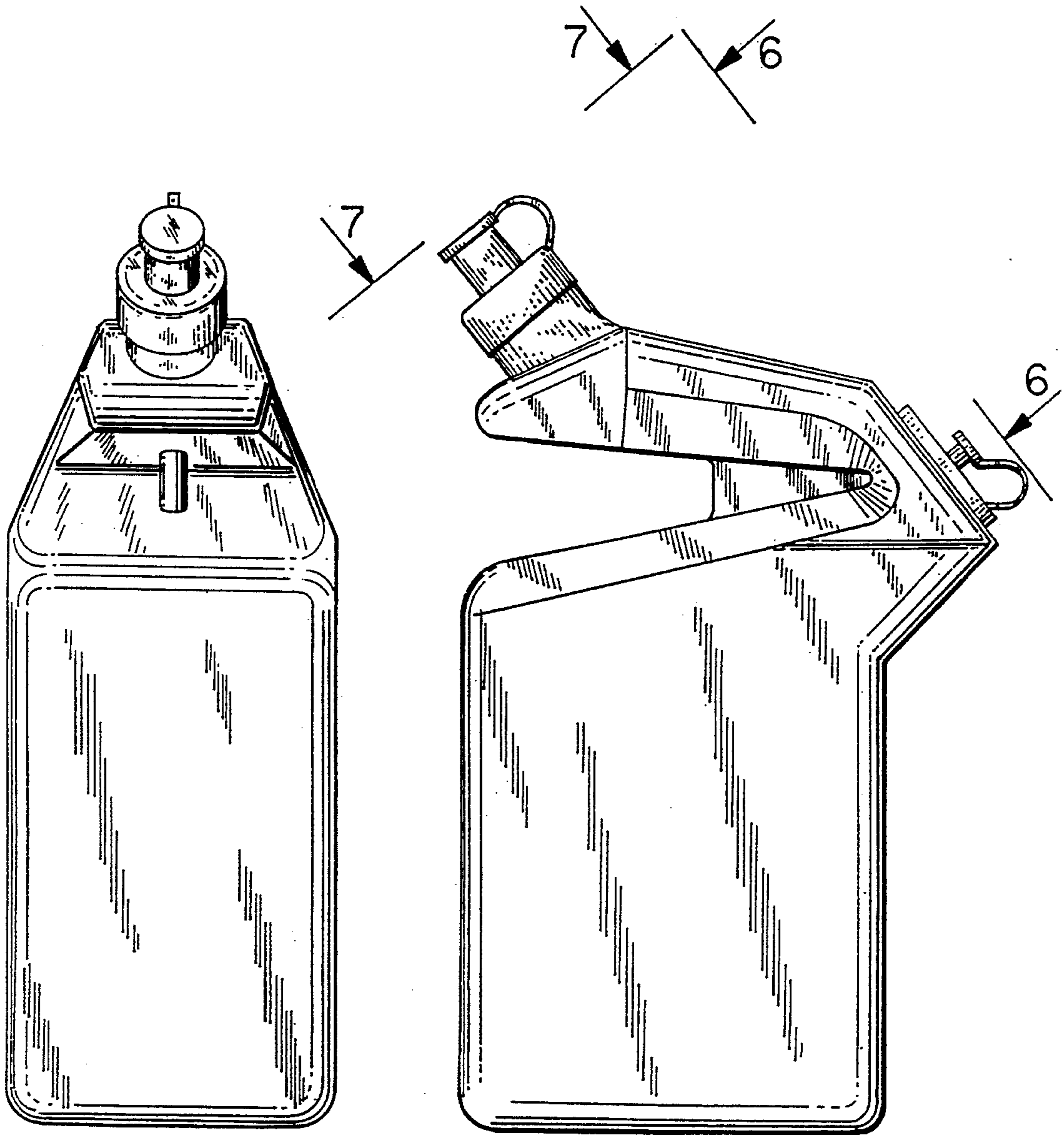
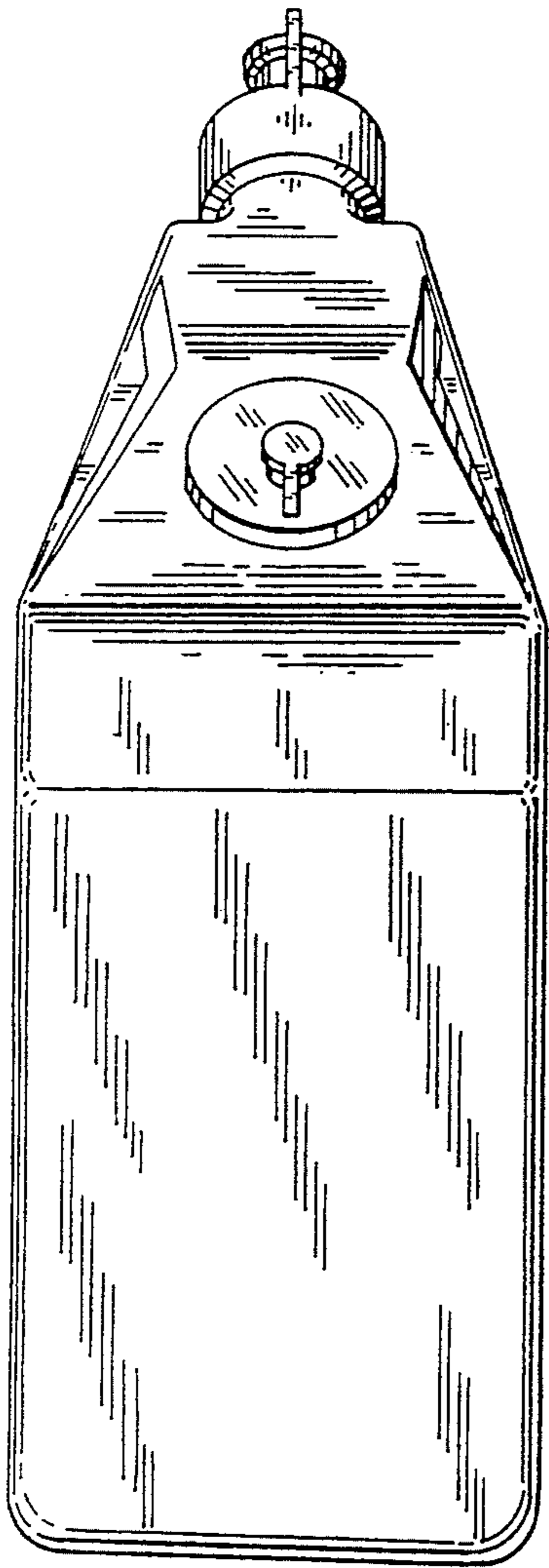
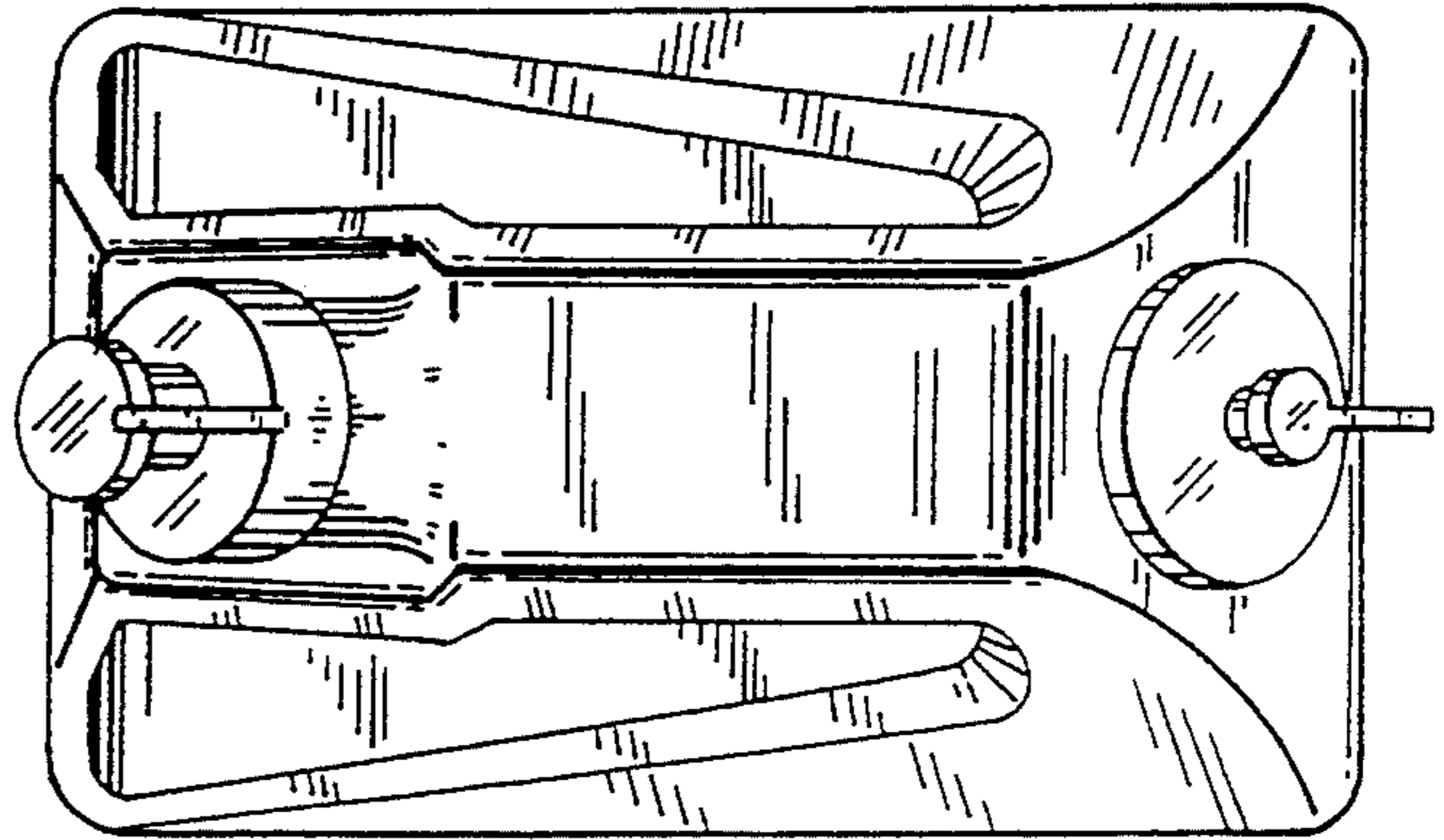


Fig. 1

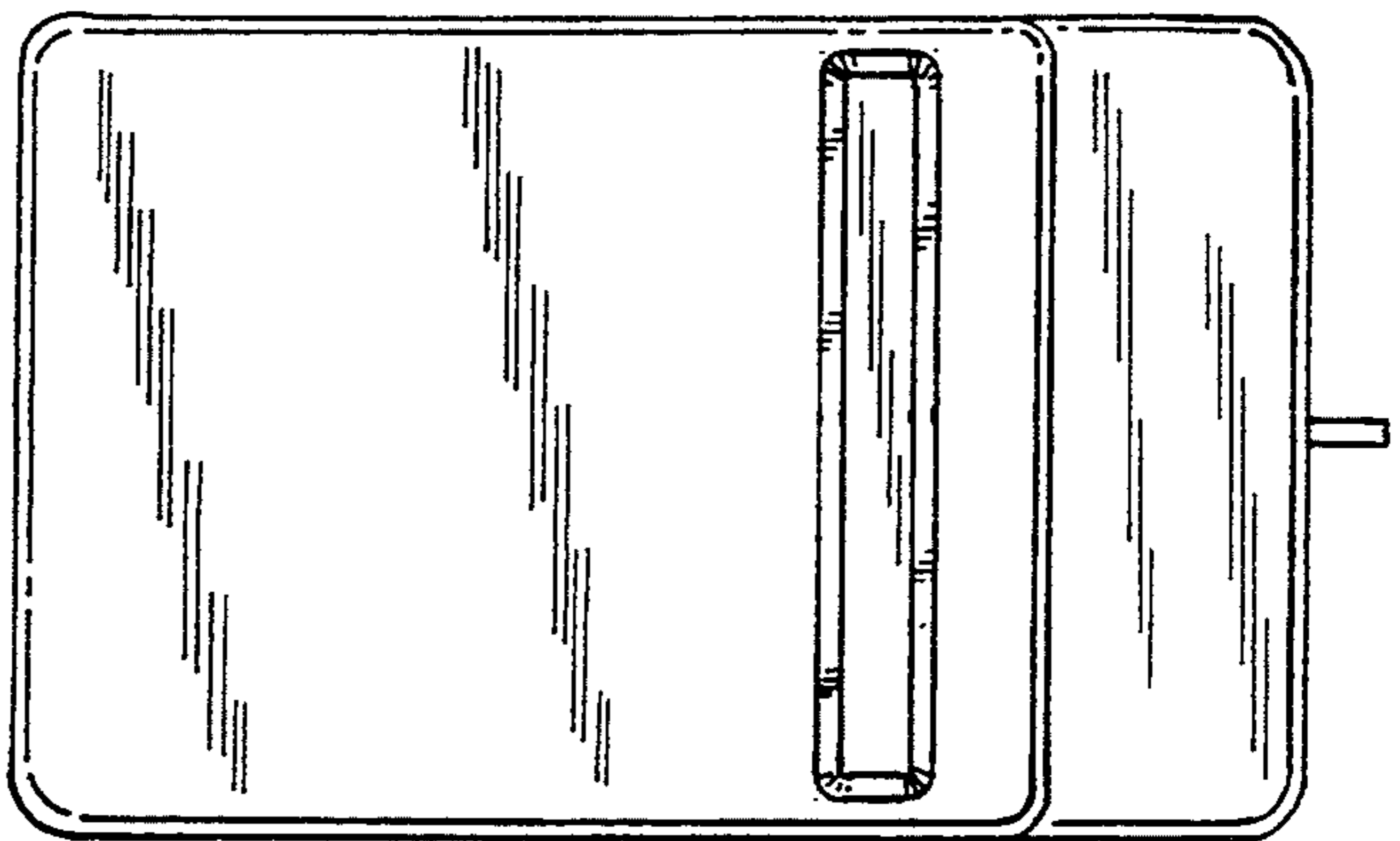
Fig. 2



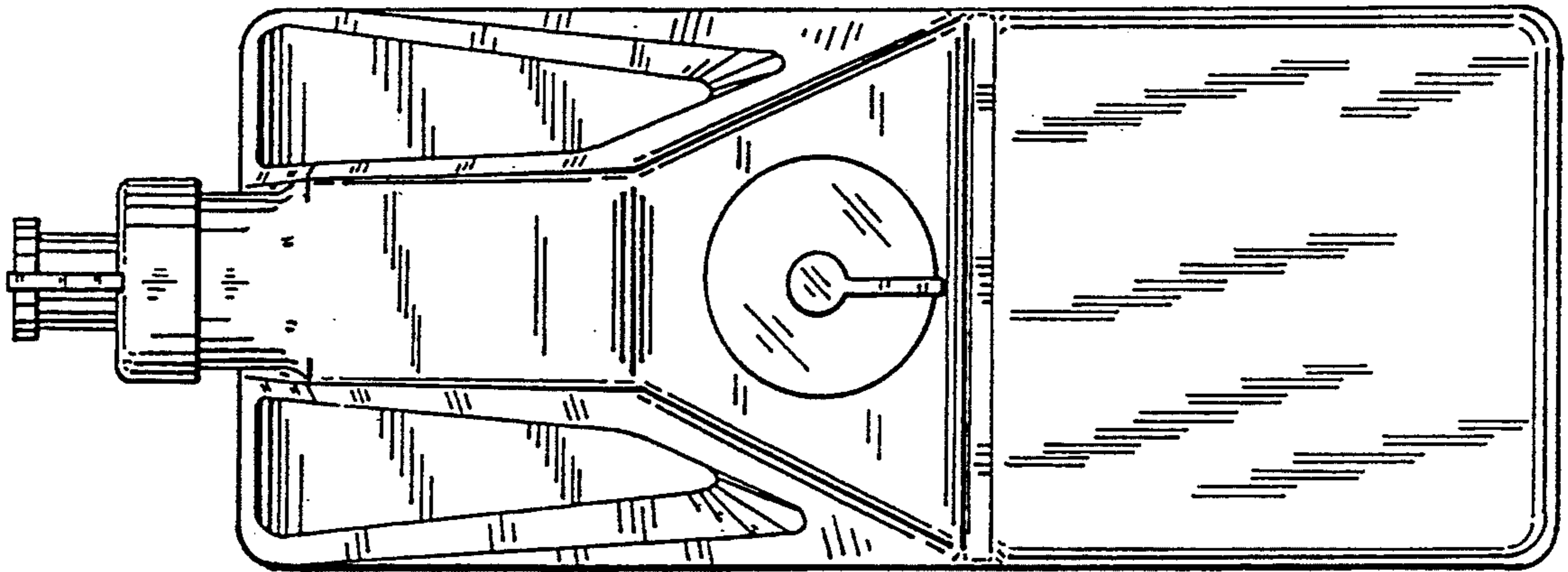
*Fig. 3*



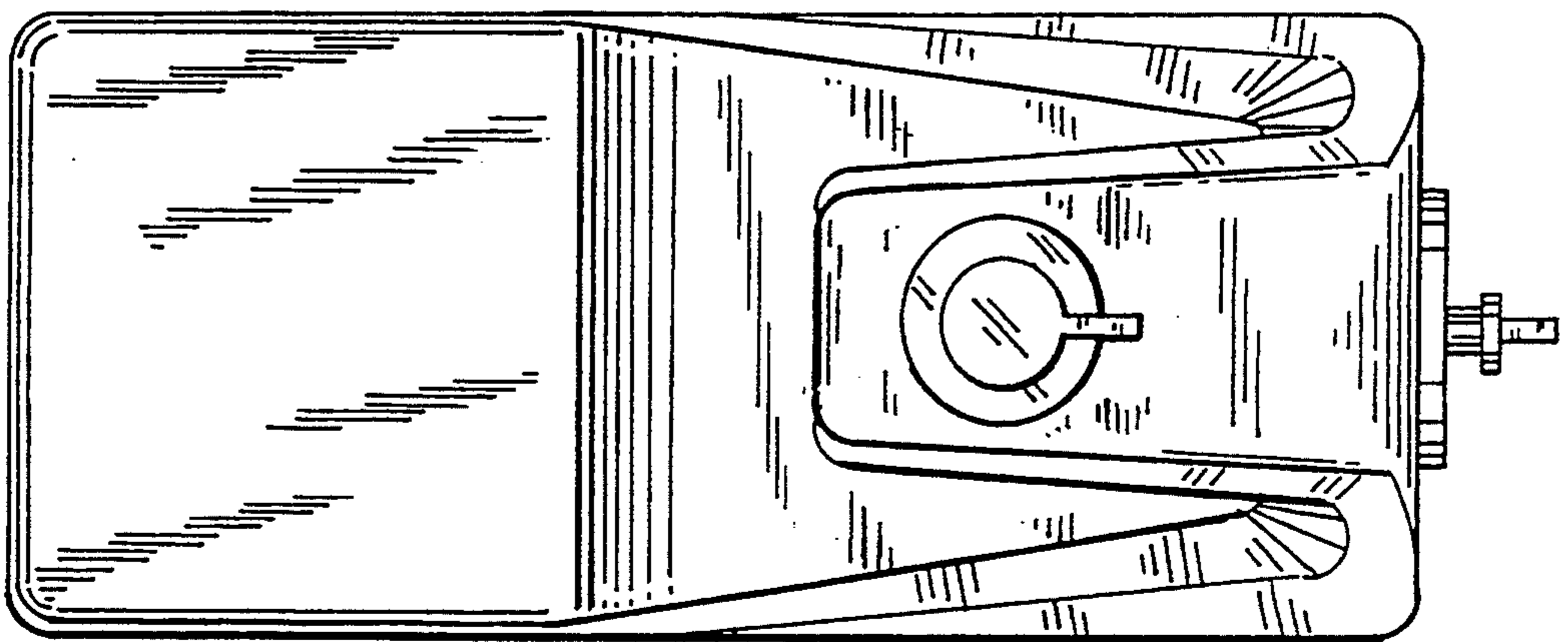
*Fig. 4*



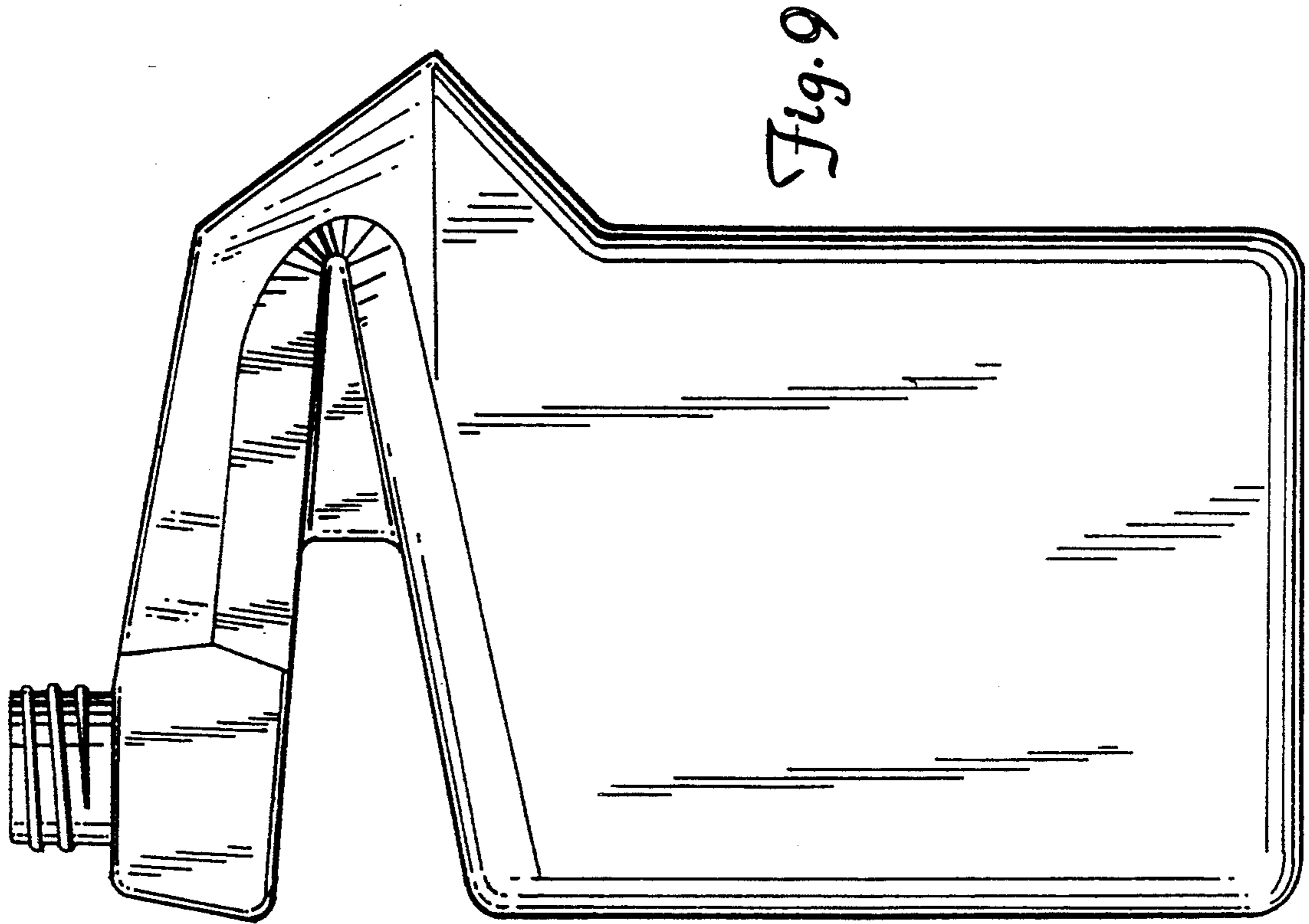
*Fig. 5*



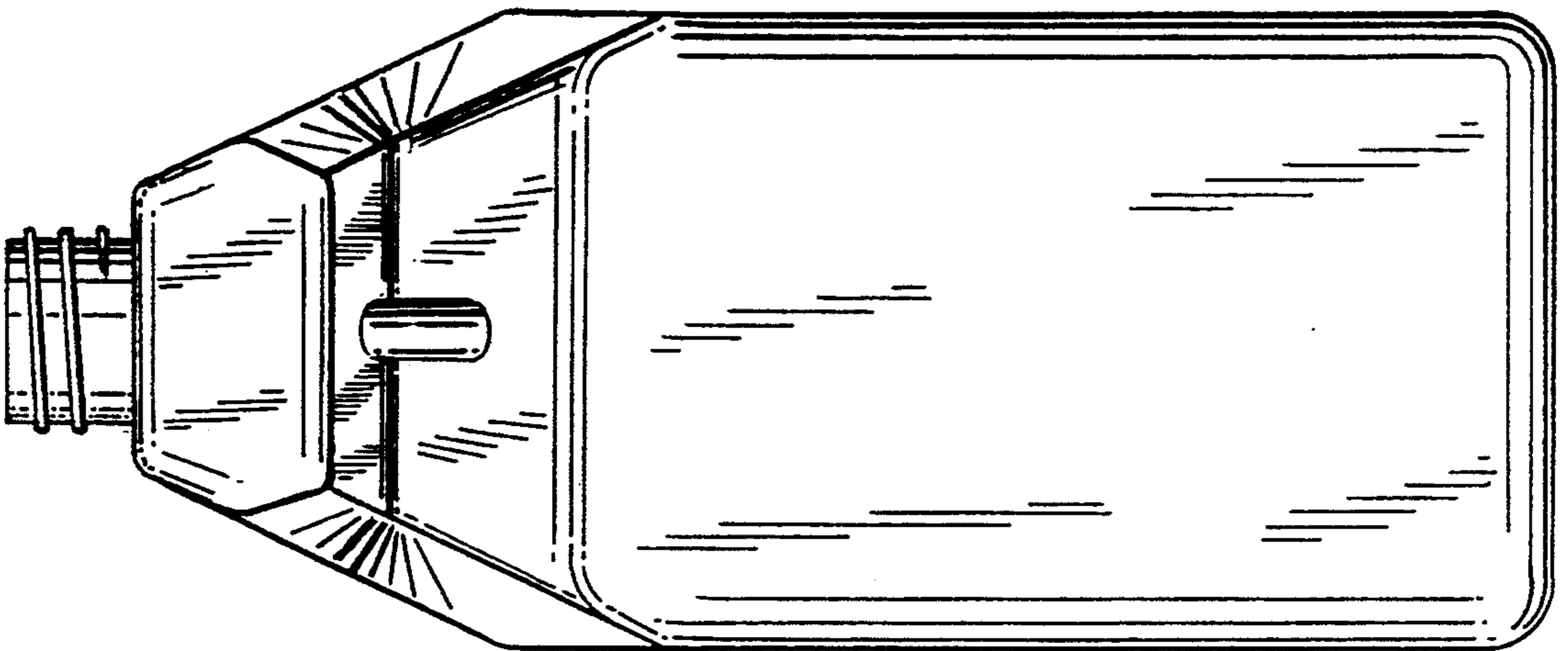
*Fig. 6*



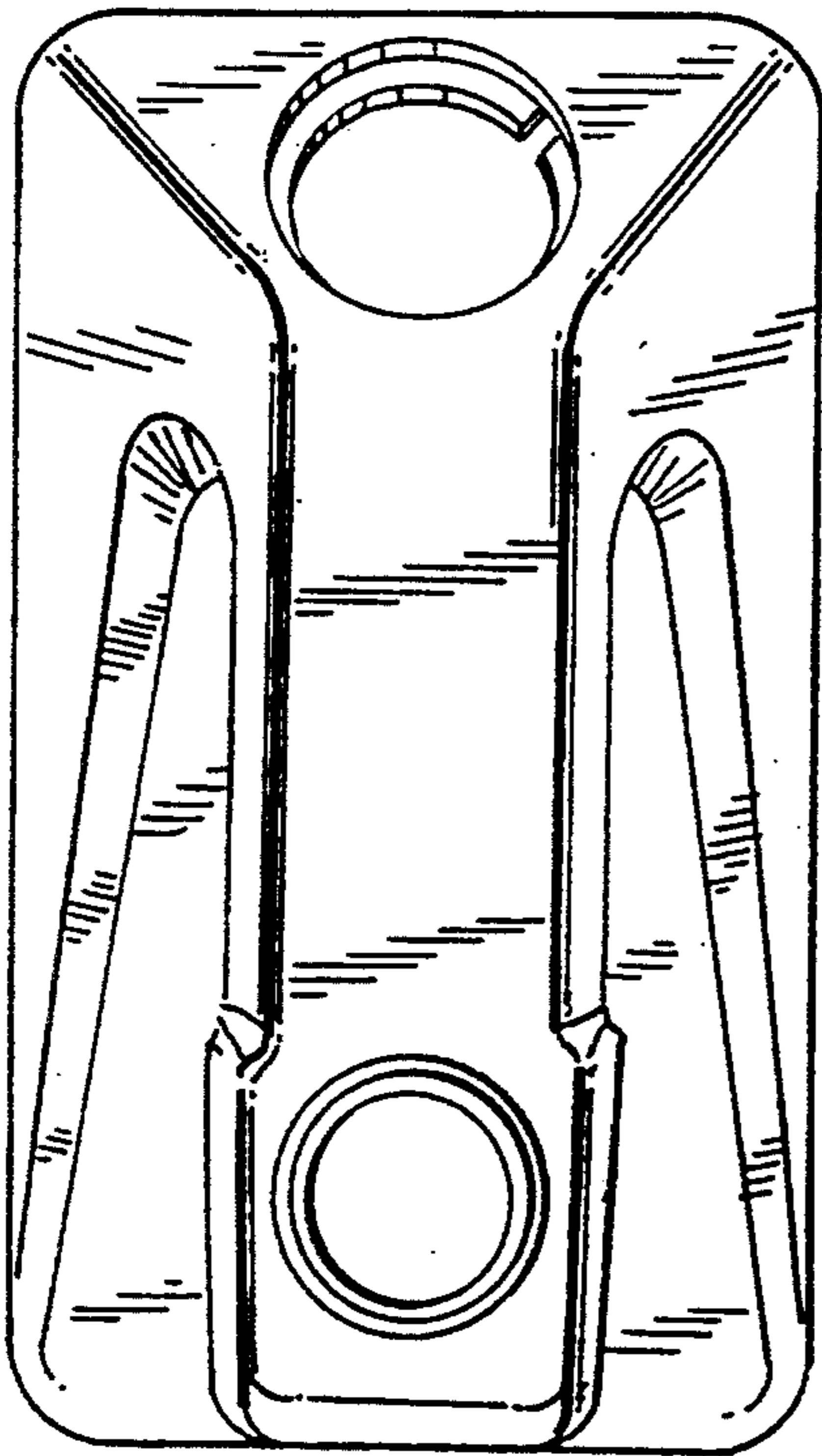
*Fig. 7*



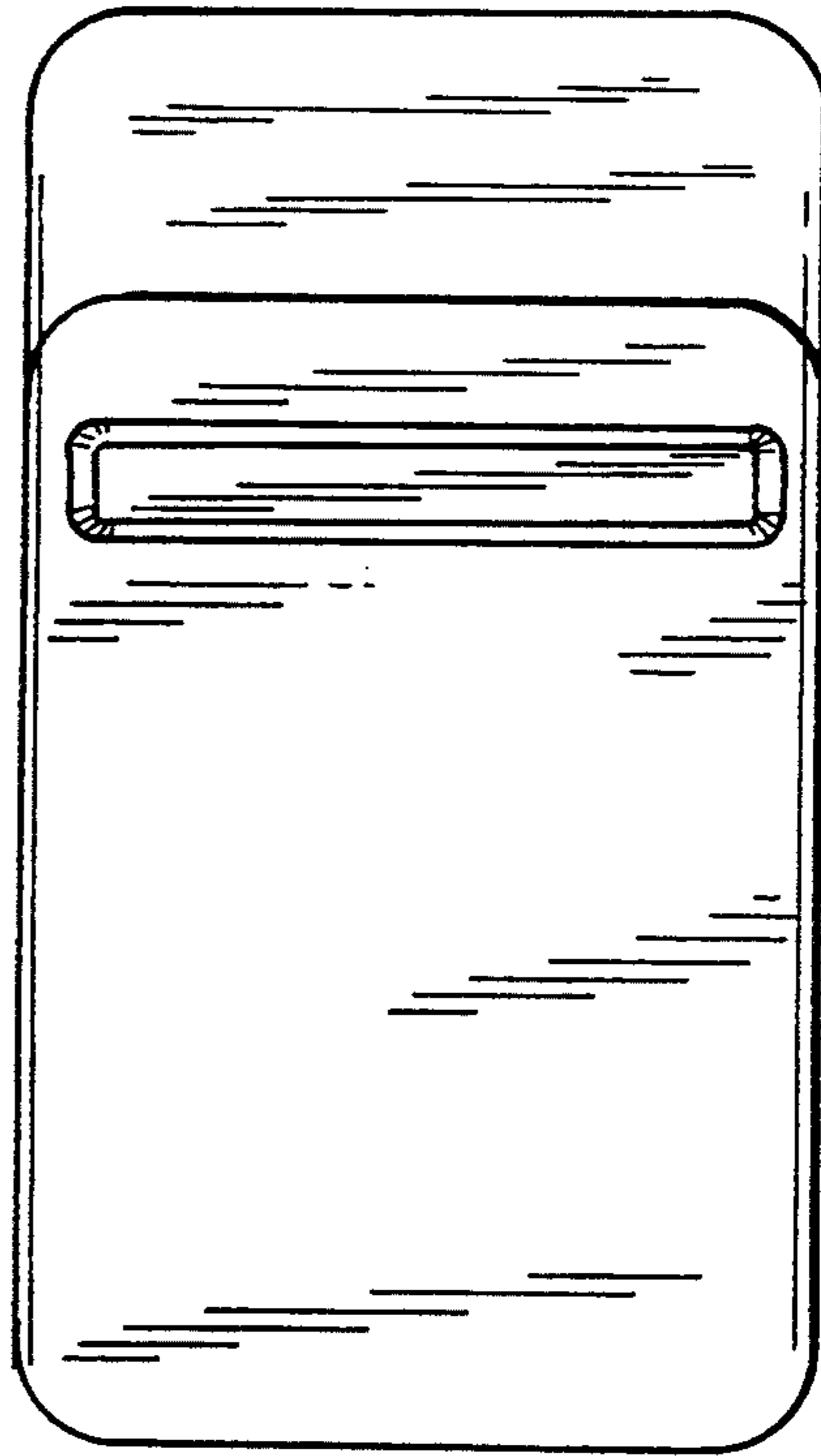
*Fig. 9*



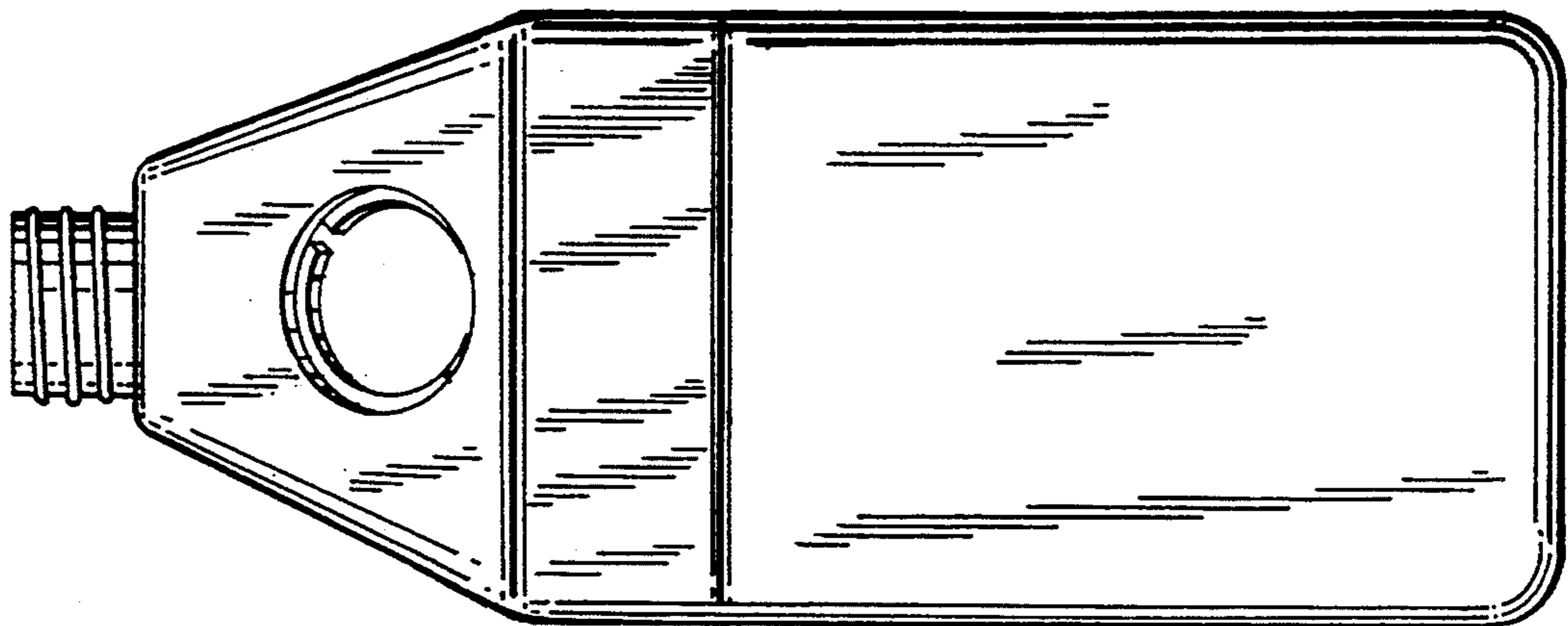
*Fig. 8*



*Fig. 11*



*Fig. 12*



*Fig. 10*