



US00D355849S

United States Patent [19]

[11] Patent Number: **Des. 355,849**

Trower et al.

[45] Date of Patent: **** Feb. 28, 1995**

[54] PORTABLE STORAGE CONTAINER

[75] Inventors: **David A. Trower; Fred P. Ritchie,**
both of Waterloo; **Bryan J. Stow,**
Cedar Falls, all of Iowa

[73] Assignee: **Waterloo Industries, Inc.,** Waterloo,
Iowa

[**] Term: **14 Years**

[21] Appl. No.: **12,423**

[22] Filed: **Aug. 31, 1993**

[52] U.S. Cl. **D9/424**

[58] Field of Search **D9/424, 425, 423, 431,**
D9/341; D3/304, 307, 309, 905; 206/499, 510,
501, 514, 519, 505, 506, 372, 373; 220/23.6,
23.8, 323.83, 318, 324; 312/902

[56] References Cited

U.S. PATENT DOCUMENTS

- D. 216,757 3/1970 Di Pierro et al. .
- D. 262,839 2/1982 Daenen et al. .
- D. 264,896 6/1982 Perkins .
- D. 309,519 7/1990 Remier .
- D. 318,568 7/1991 Håkansson .
- D. 319,016 8/1991 Kahl D9/424
- D. 319,074 8/1991 Robinson .
- D. 326,815 6/1992 Meisner et al. D9/424
- D. 326,945 6/1992 Howitt D9/424 X
- D. 333,783 3/1993 Perugini D9/424
- 2,941,637 6/1960 Silverman .
- 2,983,402 5/1961 Gottsegen .
- 3,155,270 11/1964 Taft .
- 3,392,874 7/1968 Peebles .
- 3,463,353 8/1969 Peebles .
- 3,586,205 6/1971 Van Daalen .
- 3,606,511 9/1971 Henning et al. .
- 3,628,843 12/1971 Wynne et al. .
- 4,029,209 6/1977 Frahm et al. .

- 4,353,182 10/1982 Junkas et al. .
- 4,366,998 1/1983 Kaiser .
- 4,416,372 11/1983 Polk .
- 4,460,085 7/1984 Jantzen .
- 4,550,828 11/1985 Baldwin et al. .
- 4,619,363 10/1986 Wolfseder .
- 4,662,515 5/1987 Newby, Sr. .
- 4,714,158 12/1987 Oltman et al. .
- 4,895,256 1/1990 Johnston .
- 5,011,013 4/1991 Meisner et al. .
- 5,040,681 8/1991 Grusin .
- 5,184,836 2/1993 Andrews, Jr. et al. D9/425 X
- 5,305,544 4/1994 Testa, Jr. 206/315.11 X

OTHER PUBLICATIONS

Lewisystems Cat. 1983, p. 26.

Primary Examiner—Prabhaker G. Deshmukh

Attorney, Agent, or Firm—Allegretti & Witcoff, Ltd.

[57] CLAIM

The ornamental design for a portable storage container, as shown and described.

DESCRIPTION

FIG. 1 is a perspective view of a portable storage container showing our new design;

FIG. 2 is a right side elevational view thereof; the left side elevational view being a mirror image thereof;

FIG. 3 is a top plan view thereof; with the lid and storage trays removed for clarity of illustration;

FIG. 4 is a top plan view of the lid, shown separately for clarity of illustration;

FIG. 5 is a right side elevational view of FIG. 4; the left side elevational view being a mirror image thereof;

FIG. 6 is a bottom plan view of FIG. 4; and,

FIG. 7 is a front elevational view of FIG. 4; the rear side elevational view being a mirror image thereof.

The bottom of the container is unornamented.

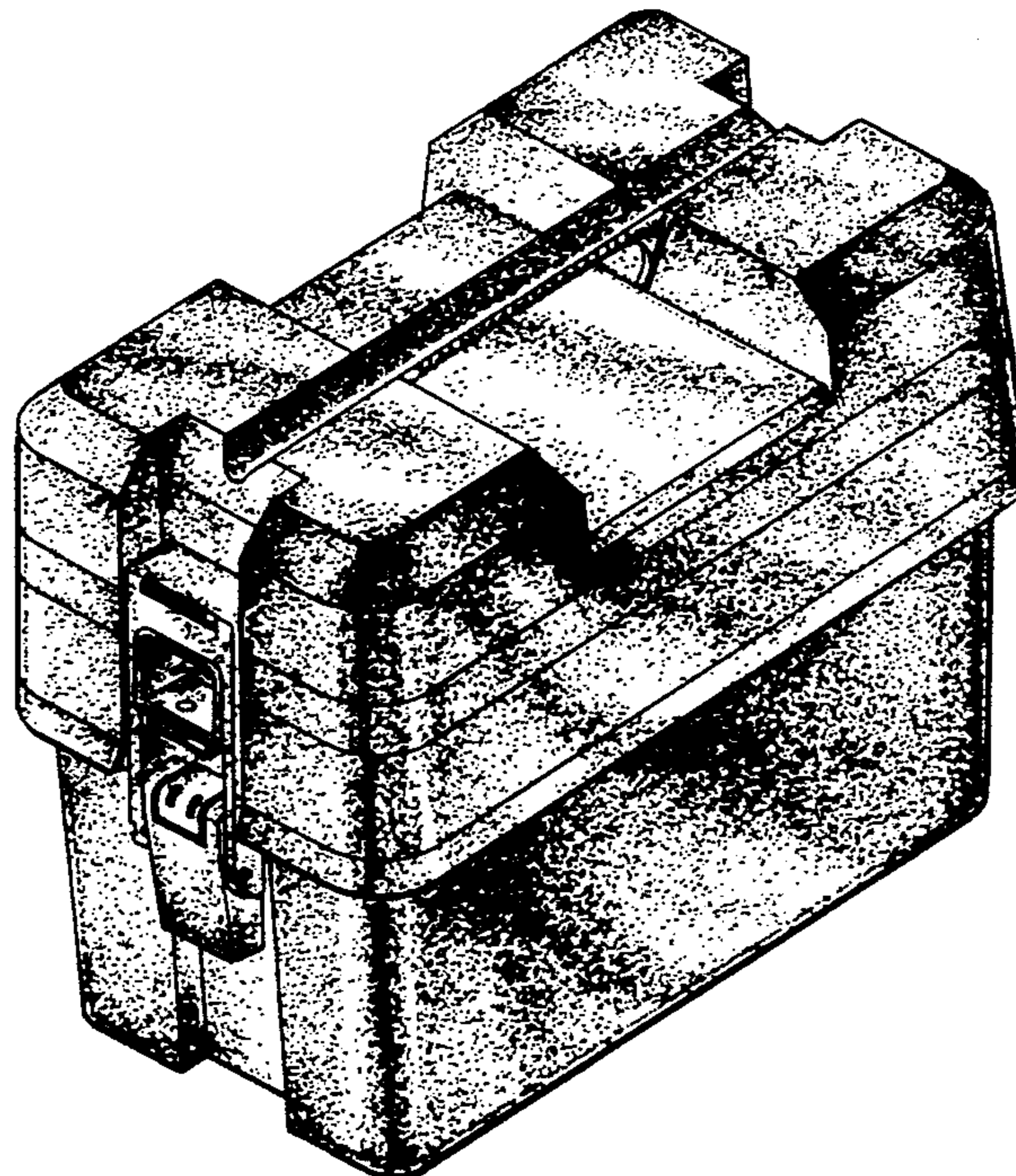


FIG. 1

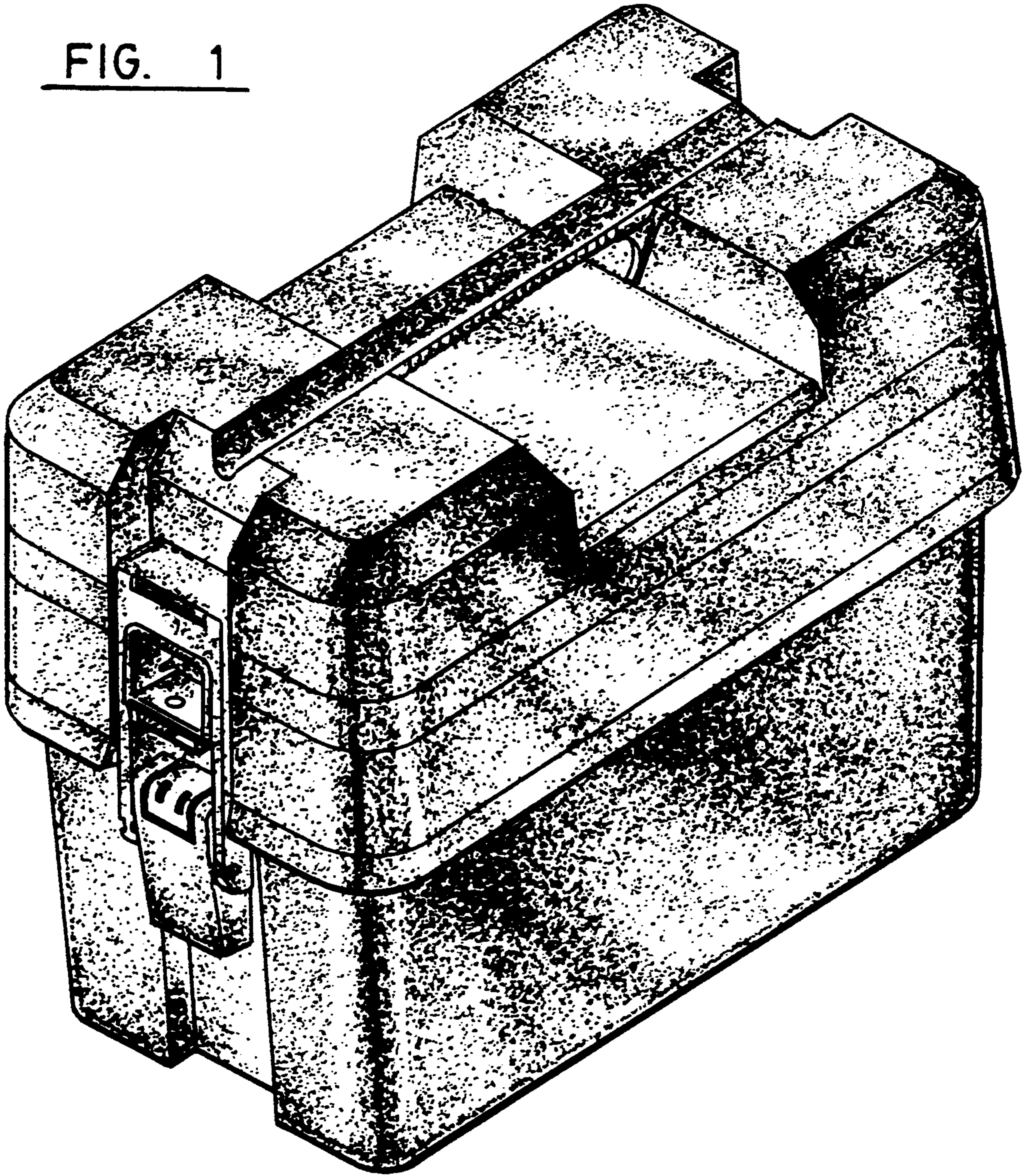


FIG. 2

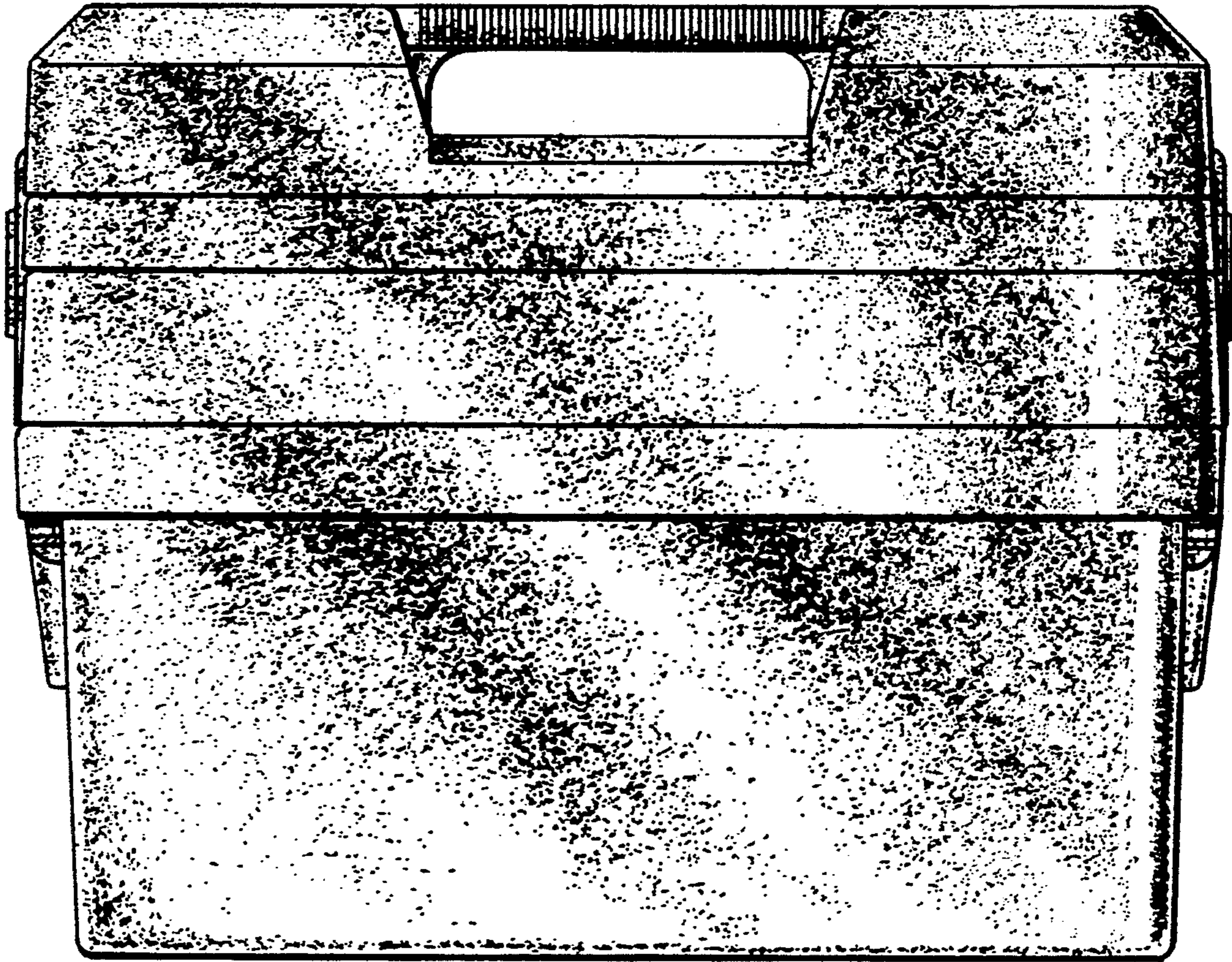


FIG. 3



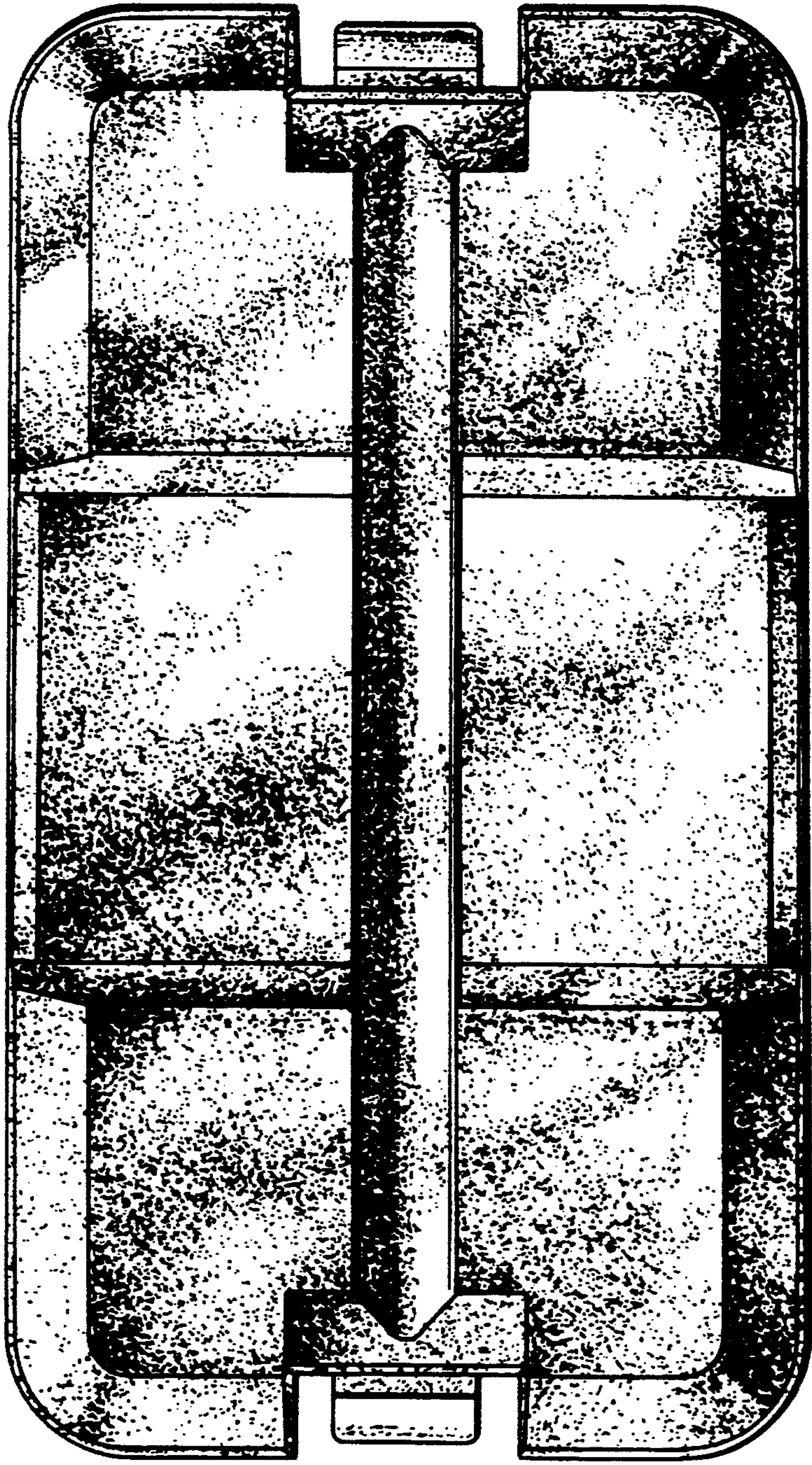


FIG. 4



FIG. 5

FIG. 6

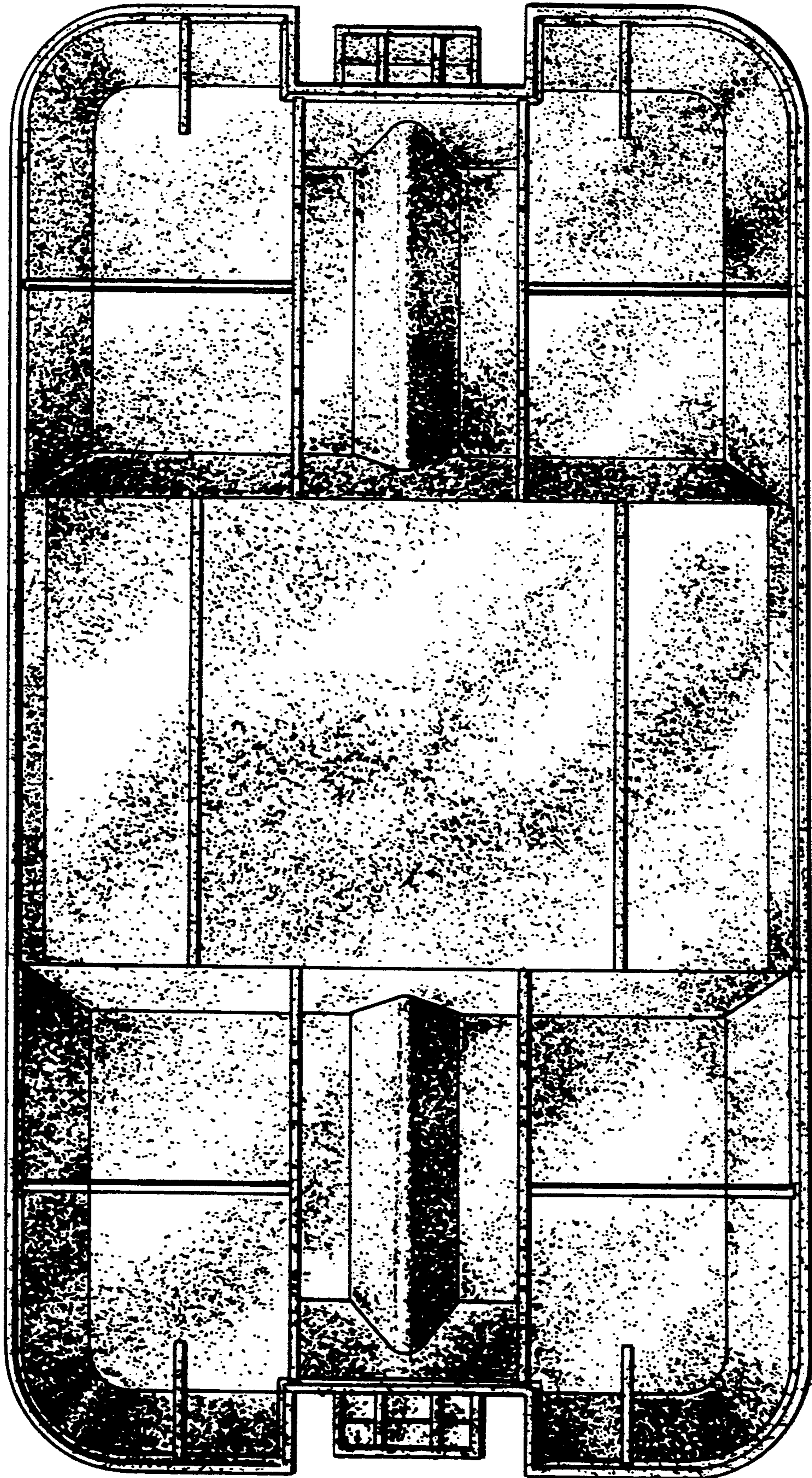


FIG. 7

