



US00D355847S

# United States Patent [19]

[11] Patent Number: **Des. 355,847**

Woolaway

[45] Date of Patent: **\*\* Feb. 28, 1995**

[54] **COLLAPSIBLE TUMBLER SLEEVE**

4,735,314	4/1988	Kadleck et al. ....	206/426
4,890,738	1/1990	Carver .....	206/434
5,042,660	8/1991	Carver .....	229/40 X

[75] Inventor: **Bradley P. Woolaway, Savona, N.Y.**

[73] Assignee: **Corning Incorporated, Corning, N.Y.**

[\*\*] Term: **14 Years**

[21] Appl. No.: **11,252**

[22] Filed: **Jul. 19, 1993**

[52] U.S. Cl. .... **D9/346; D9/433**

[58] Field of Search ..... **D9/346, 345, 341, 344, D9/433; 206/426, 427, 161, 193, 558, 446, 476, 277, 395**

### OTHER PUBLICATIONS

Modern Packaging 1963, p. 272.

*Primary Examiner*—Prabhakar G. Deshmukh  
*Attorney, Agent, or Firm*—Robert L. Carlson

### [57] CLAIM

The ornamental design for a collapsible tumbler sleeve, as shown and described.

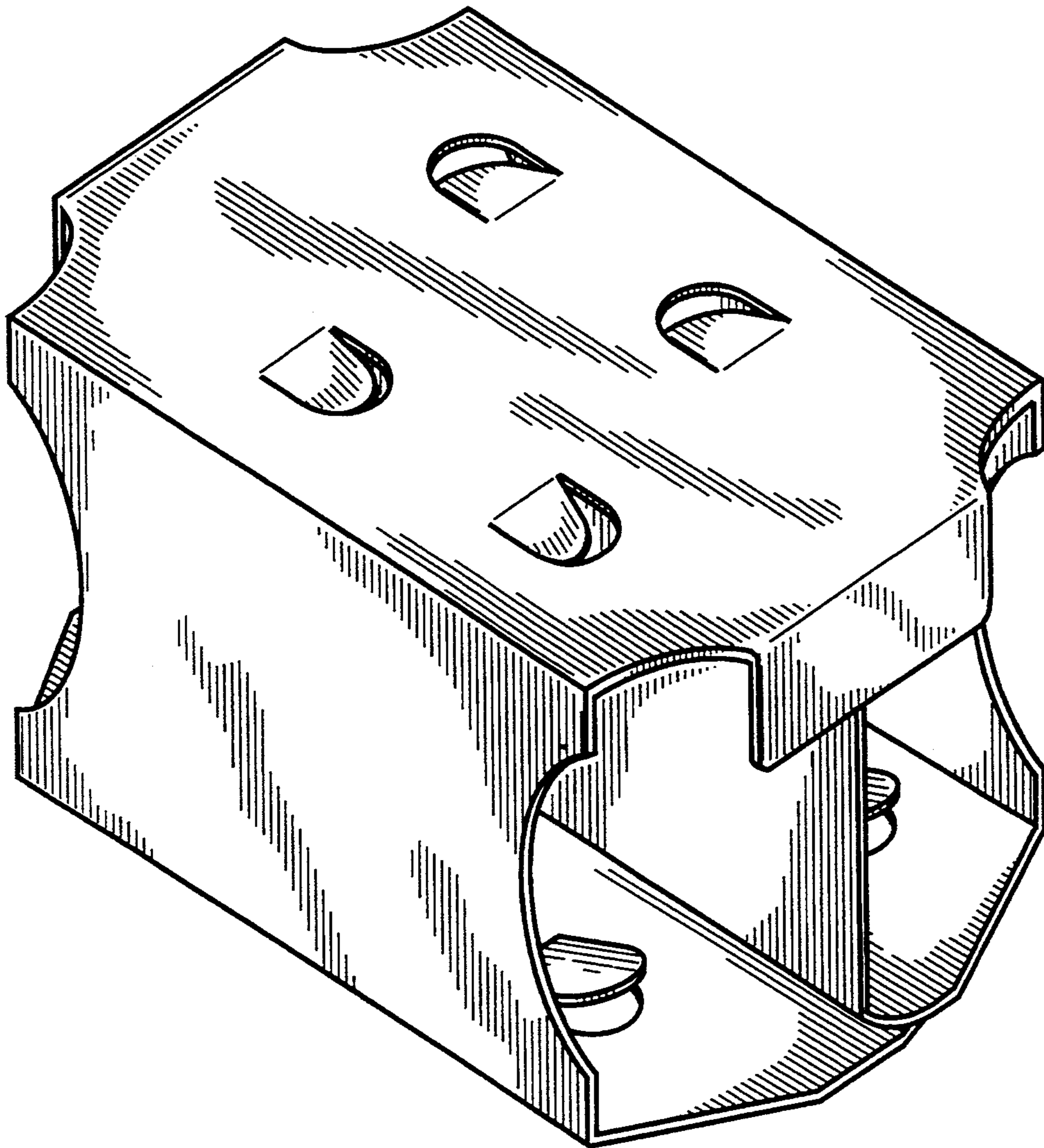
### DESCRIPTION

FIG. 1 is a perspective view of a collapsible tumbler sleeve, showing my new design; FIG. 2 is a perspective view of the collapsible tumbler sleeve in partially collapsed position; and, FIG. 3 is a folded plan view of the collapsible tumbler sleeve in collapsed position.

### [56] References Cited

#### U.S. PATENT DOCUMENTS

D. 306,828	3/1990	Schuster .....	D9/418
D. 319,388	8/1991	McIntosh, Jr. et al. ....	D9/346
4,381,057	4/1983	Carver .....	206/426 X



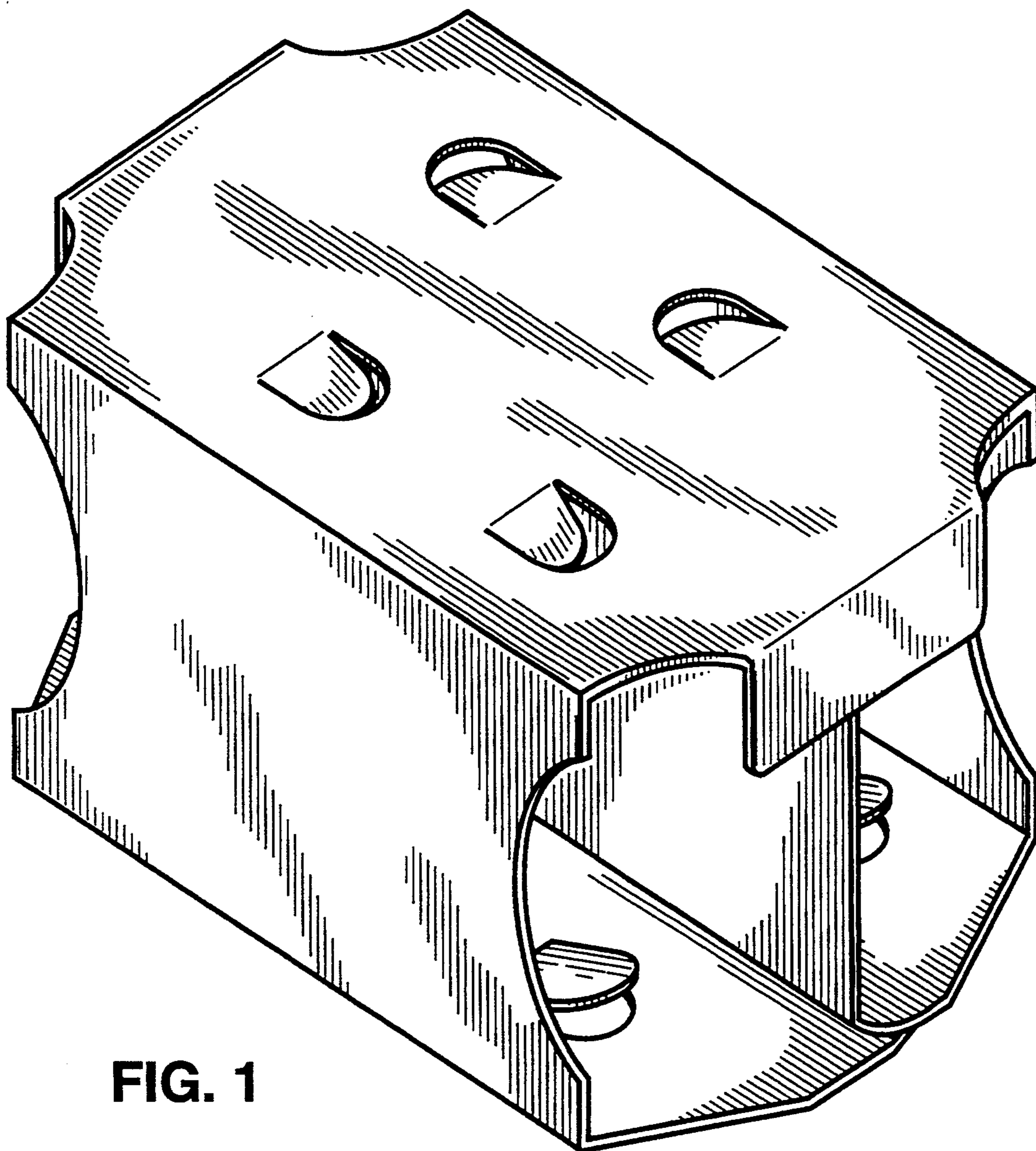


FIG. 1

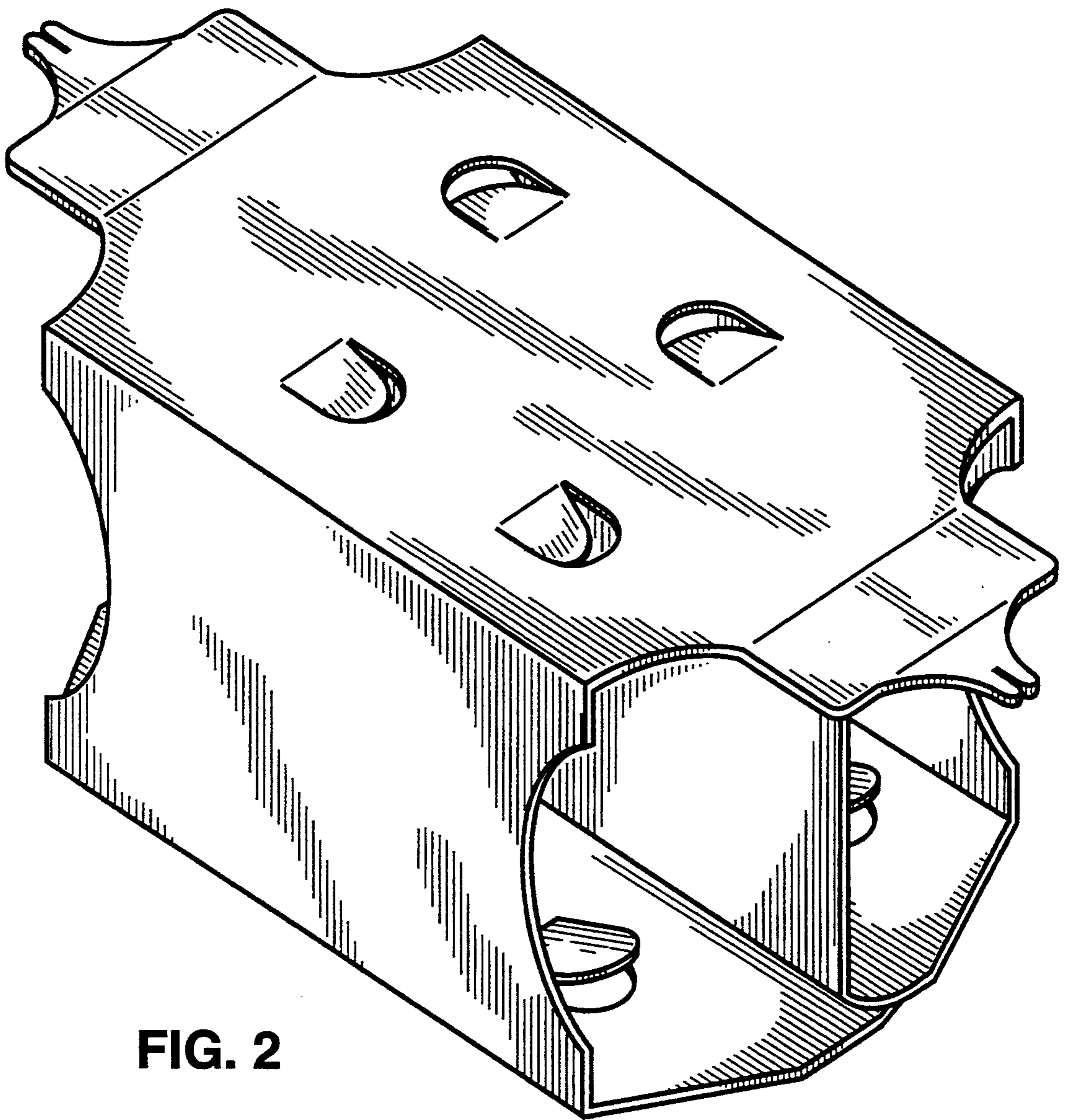


FIG. 2

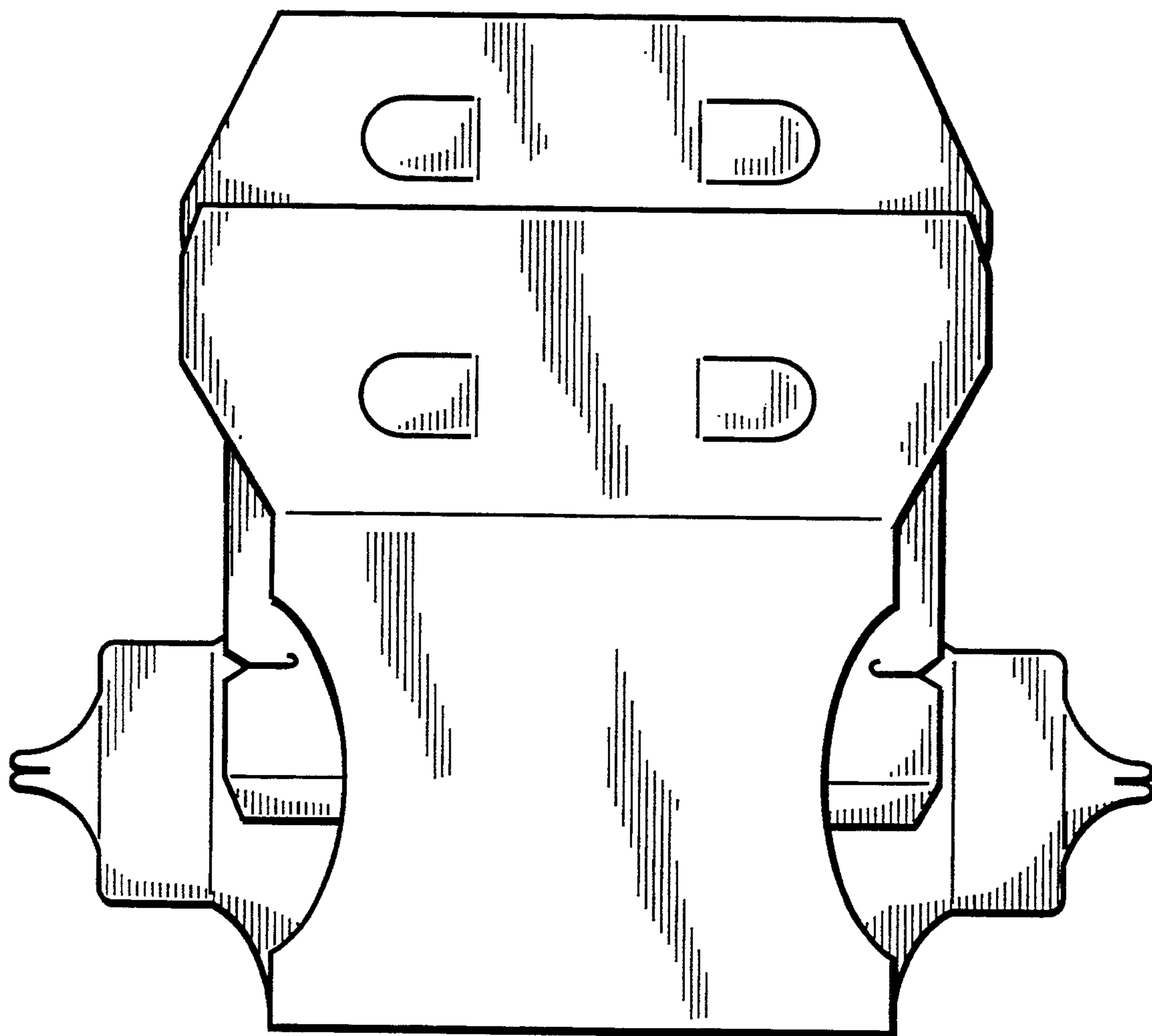


FIG. 3