



US00D355846S

United States Patent [19]

[11] Patent Number: **Des. 355,846**

Denney et al.

[45] Date of Patent: **** Feb. 28, 1995**

[54] CUP LID
[75] Inventors: **Melvin L. Denney**, Sugar Land;
Srinivas Nishtala, Houston, both of
Tex.

3,160,309 12/1964 Rivas 220/253
4,164,301 8/1979 Thayer 220/253
4,548,331 10/1985 Montgomery 220/253
4,880,136 11/1989 Englert D9/435

[73] Assignee: **Teledyne Industries, Inc.**, Los
Angeles, Calif.

Primary Examiner—Alan P. Douglas
Assistant Examiner—R. Spear
Attorney, Agent, or Firm—Cushman Darby & Cushman

[**] Term: **14 Years**

[57] CLAIM

[21] Appl. No.: **952,771**

The ornamental design for a cup lid, as shown and described.

[22] Filed: **Sep. 29, 1992**

DESCRIPTION

[52] U.S. Cl. **D9/449; D9/435;**
D9/447

[58] Field of Search D9/434-435,
D9/440, 447, 499; 215/235, 240, 310; 220/253,
336, 703, 713

FIG. 1 is a perspective view from above showing a cup lid showing our new design with the disk thereof rotated to an open position;

FIG. 2 is a top plan view thereof;

FIG. 3 is a bottom plan view thereof;

FIG. 4 is a side elevational view thereof;

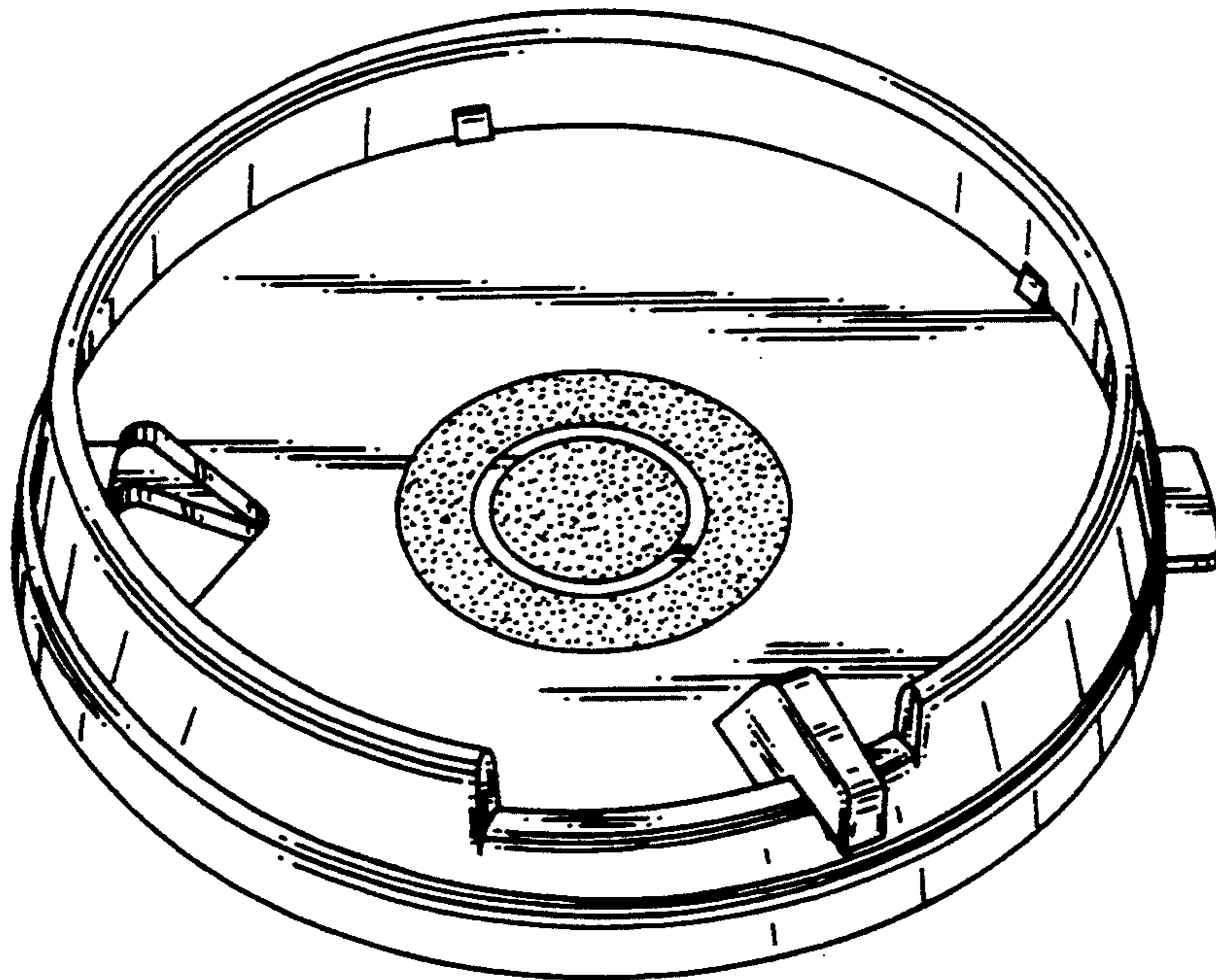
FIG. 5 is a longitudinal sectional view thereof on line 5—5 of FIG. 2; and,

FIG. 6 is a top plan view thereof similar to FIG. 2, but showing the disk thereof rotated to a closed position.

[56] References Cited

U.S. PATENT DOCUMENTS

D. 263,932 4/1982 Daenen et al. D9/434
D. 314,514 2/1991 Ten Eyck et al. D9/447



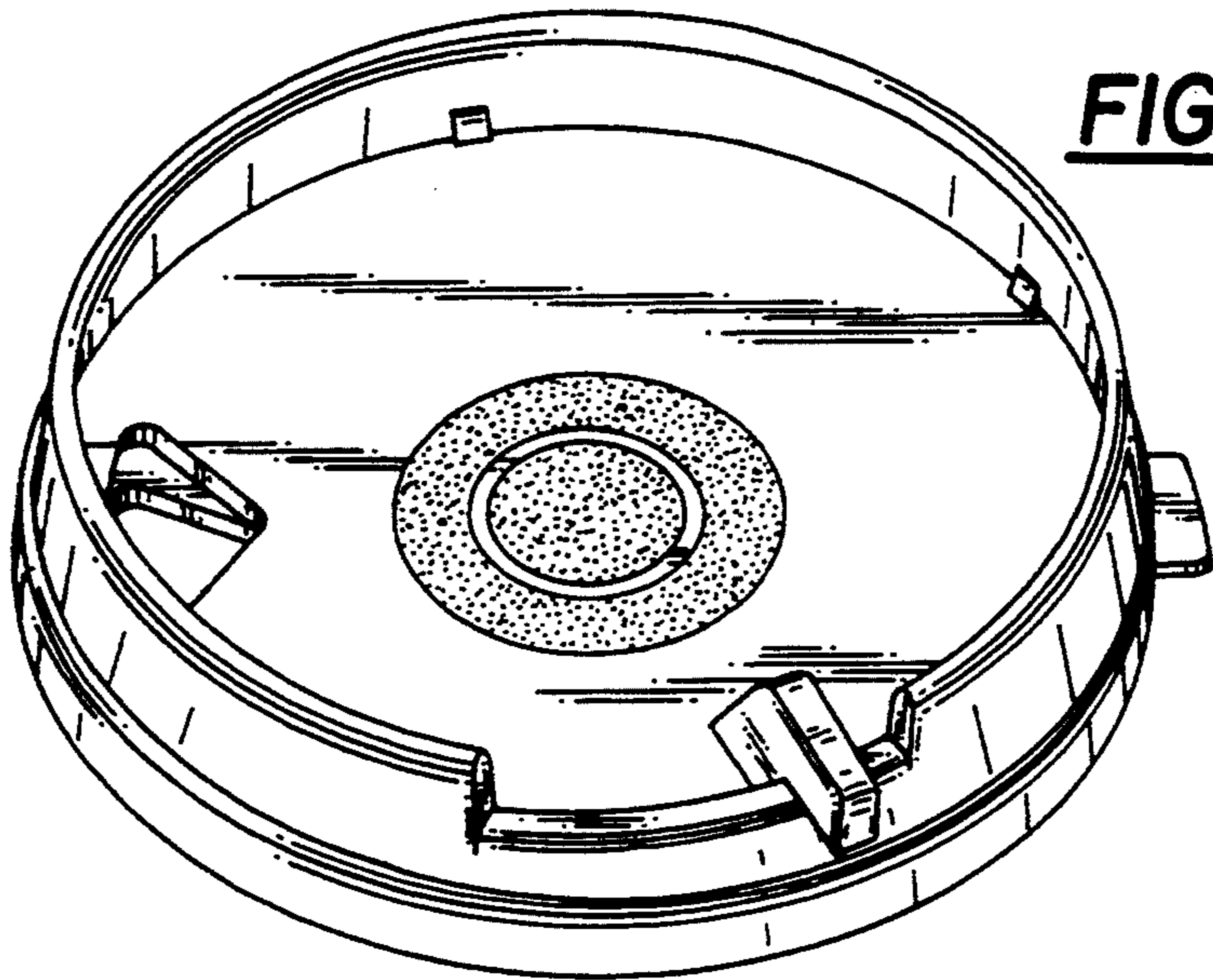


FIG. 1

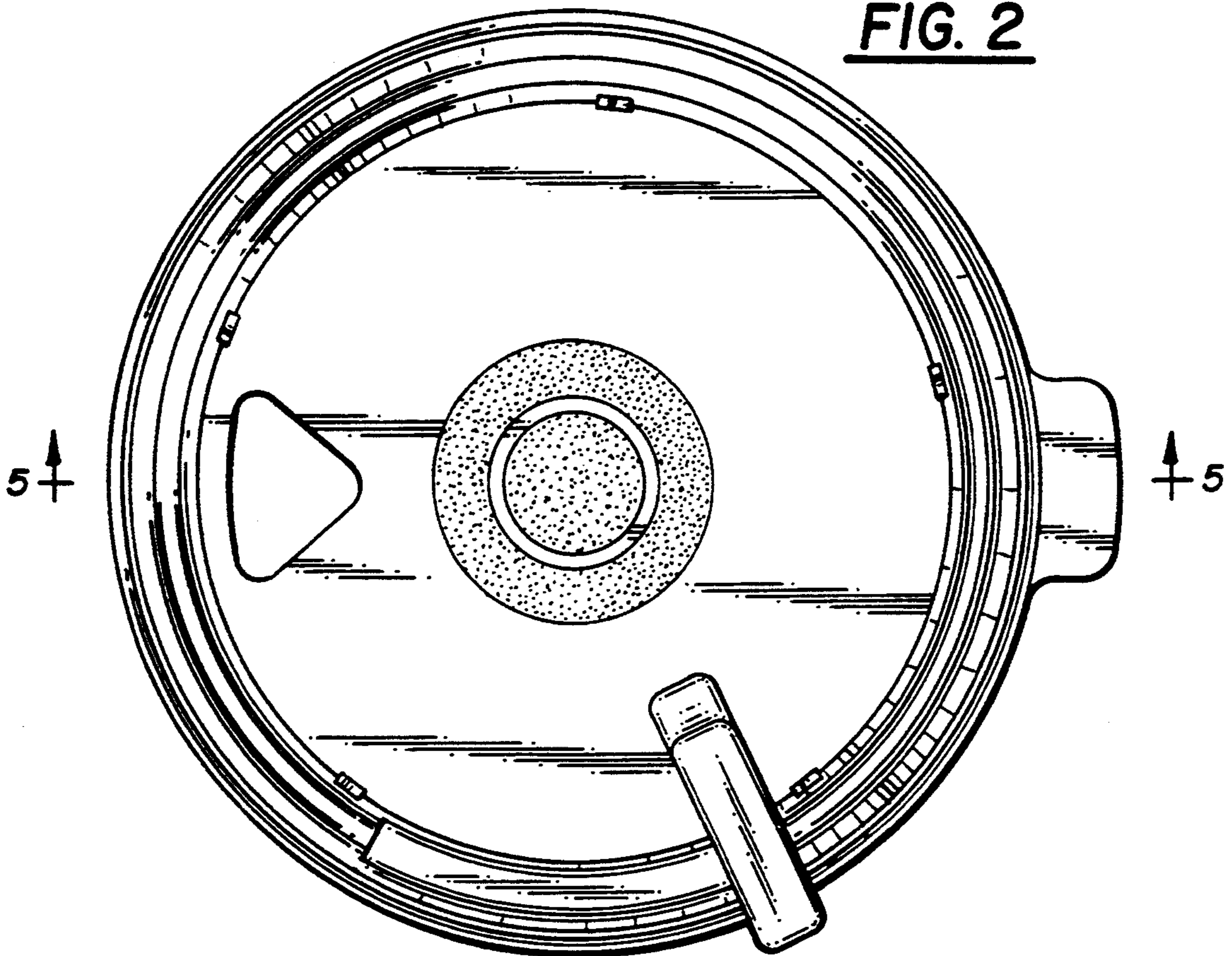


FIG. 2

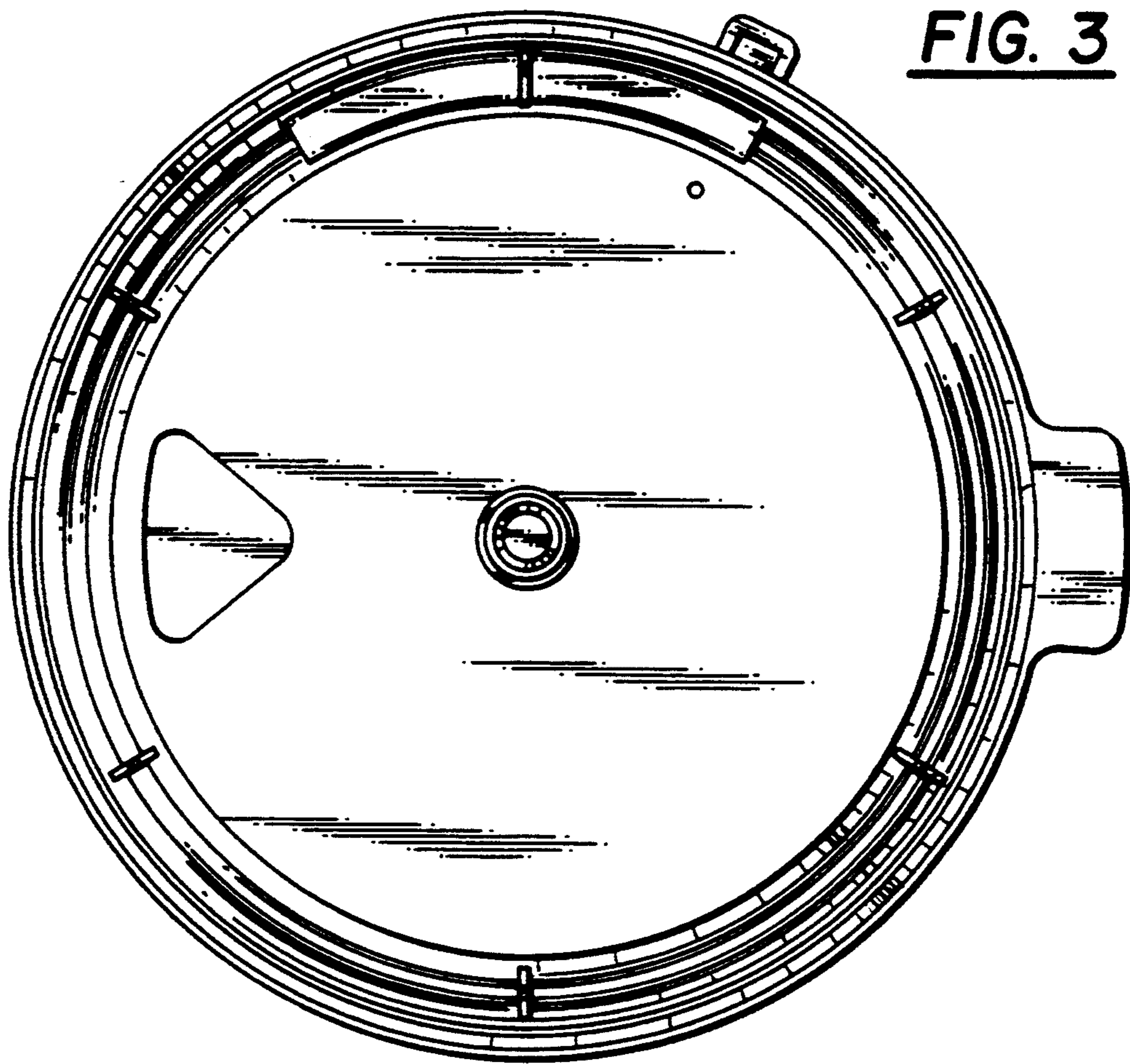


FIG. 3

FIG. 4

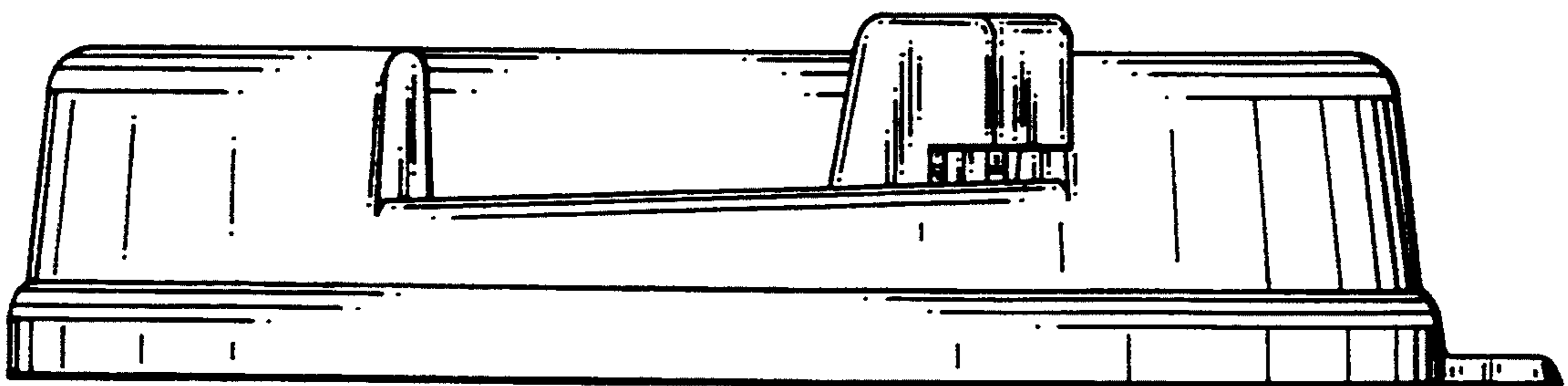


FIG. 5

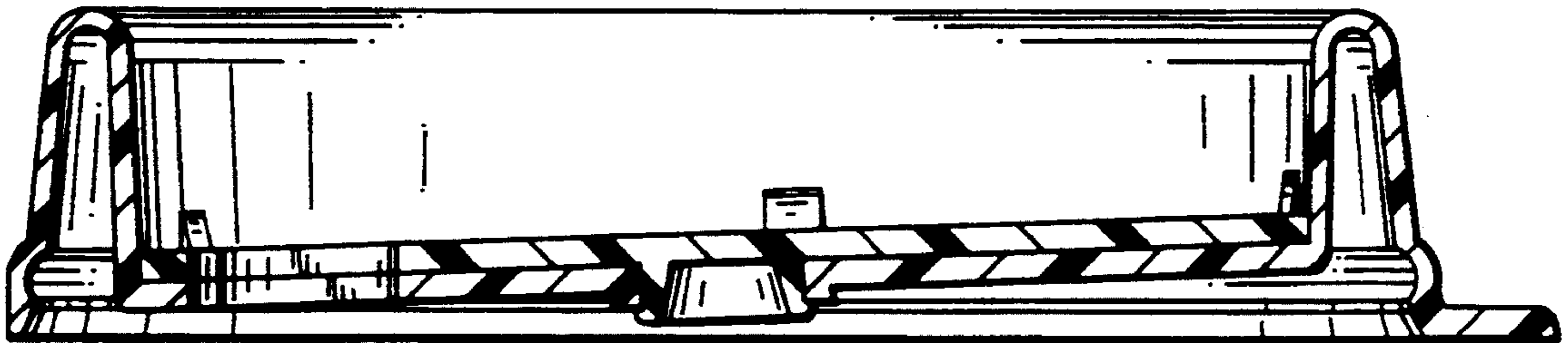


FIG. 6

