



US00D355845S

United States Patent [19]

[11] Patent Number: **Des. 355,845**

Wass

[45] Date of Patent: **** Feb. 28, 1995**

[54] **PUMP-ACTION DISPENSER**

[75] Inventor: **Anthony Wass**, Stamford, England

[73] Assignee: **The English Glass Company Limited**,
United Kingdom

[**] Term: **14 Years**

[21] Appl. No.: **844,681**

[22] Filed: **Feb. 18, 1992**

[30] **Foreign Application Priority Data**

Aug. 16, 1991 [GB] United Kingdom 2016707

[52] U.S. Cl. **D9/448**

[58] Field of Search D9/434-436,
D9/444, 447-449; 222/182, 204, 209, 320, 544,
562

[56] **References Cited**

U.S. PATENT DOCUMENTS

D. 193,222 7/1962 Van Nest D9/447

D. 244,513 5/1977 Butcher D9/448

D. 296,526 7/1988 von Schuckmann D9/448
D. 319,588 9/1991 Beck D9/449 X
D. 339,527 9/1993 Tobler D9/448
3,249,260 5/1966 Goldberg 222/182
3,272,394 9/1966 Sagarin 222/182

Primary Examiner—Alan P. Douglas
Assistant Examiner—R. Spear
Attorney, Agent, or Firm—Larson and Taylor

[57] **CLAIM**

The ornamental design for a pump-action dispenser, as shown and described.

DESCRIPTION

FIG. 1 is a perspective view of a pump-action dispenser embodying my new design;
FIG. 2 is a left side elevational view;
FIG. 3 is a top plan view; and,
FIG. 4 is a bottom plan view.
The broken line disclosure of the wall thickness and the valve stem, shown in FIG. 4, are part of the internal structure and not part of the claim.

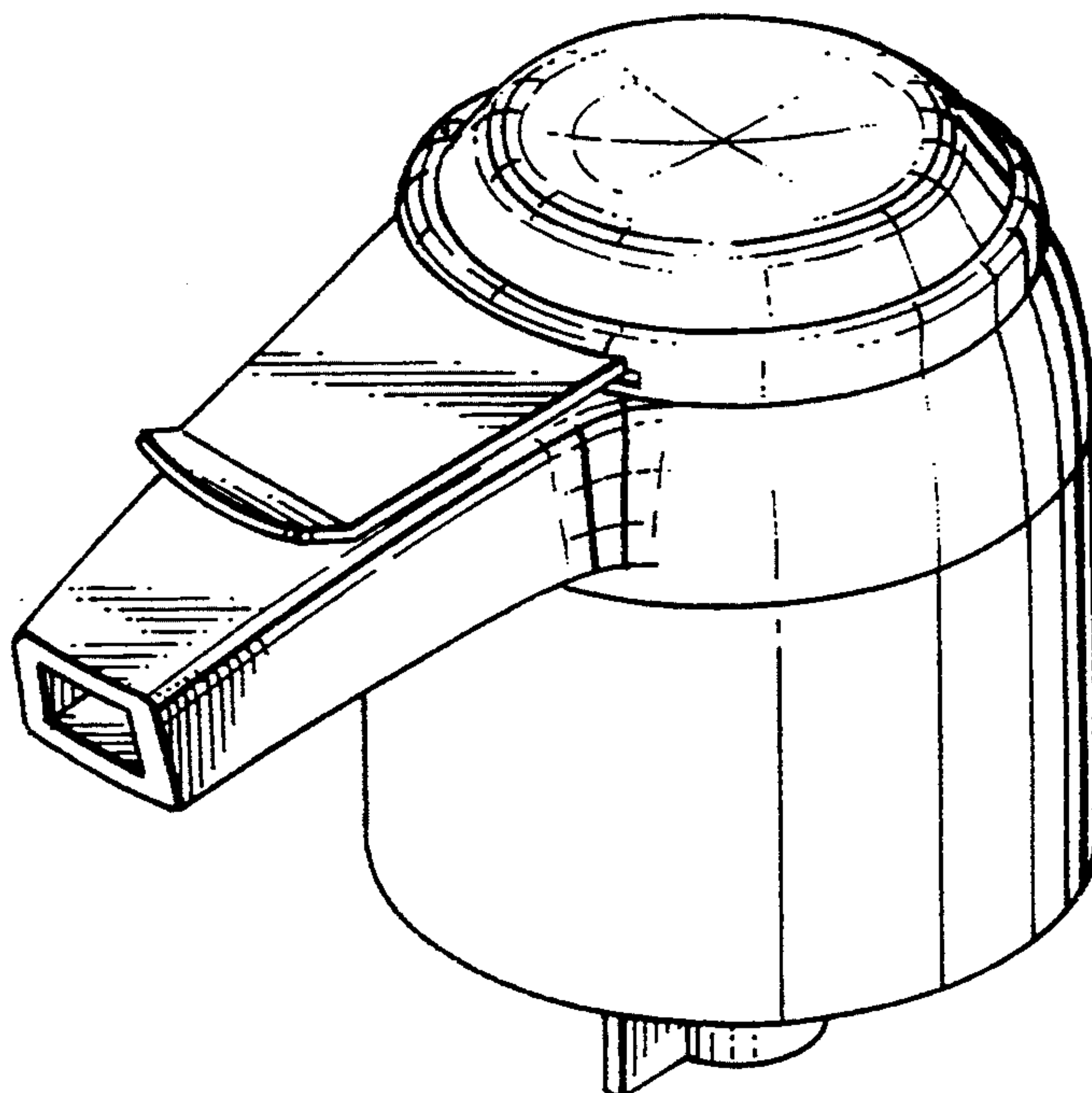


Fig.1.

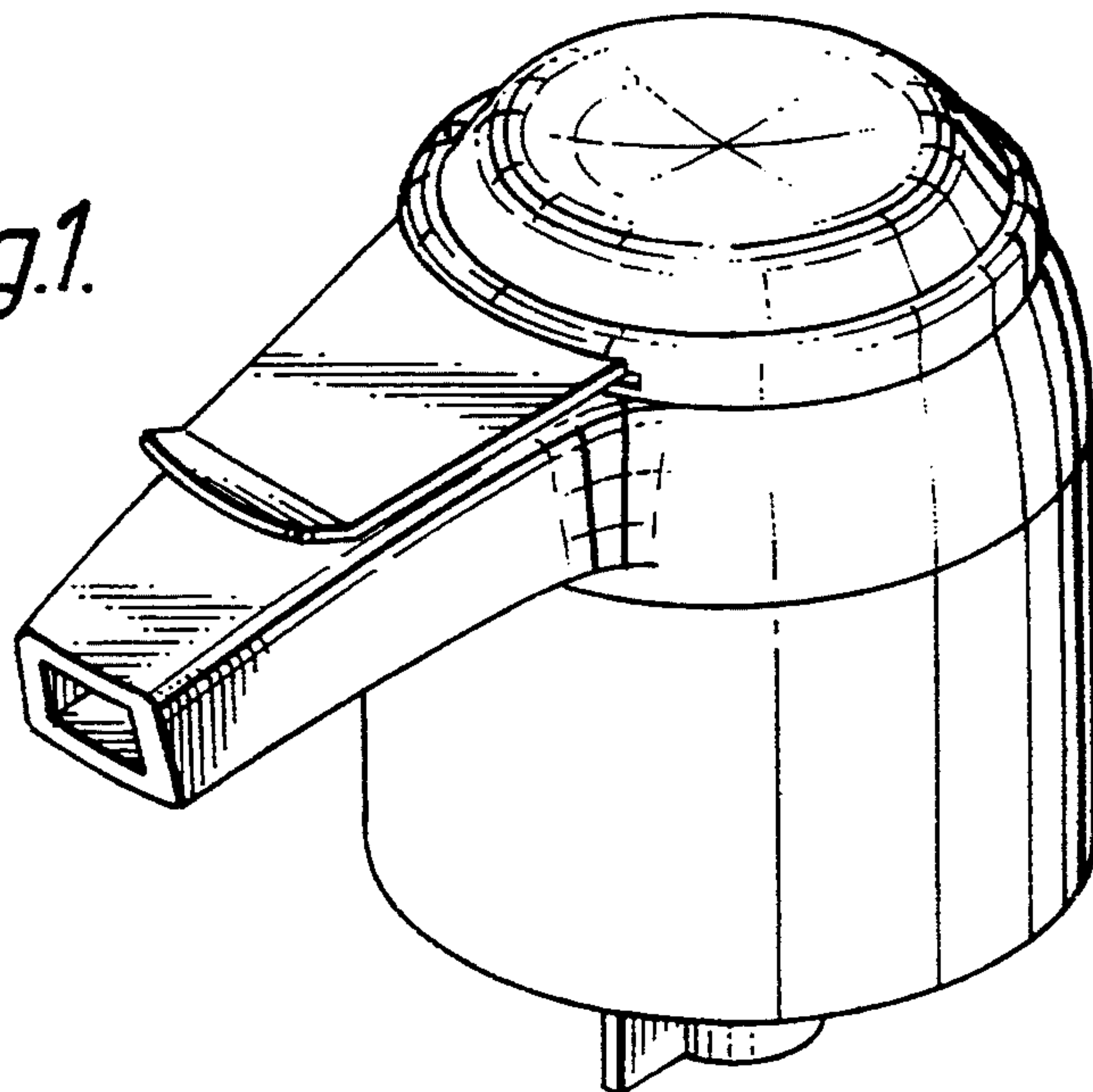


Fig.2.

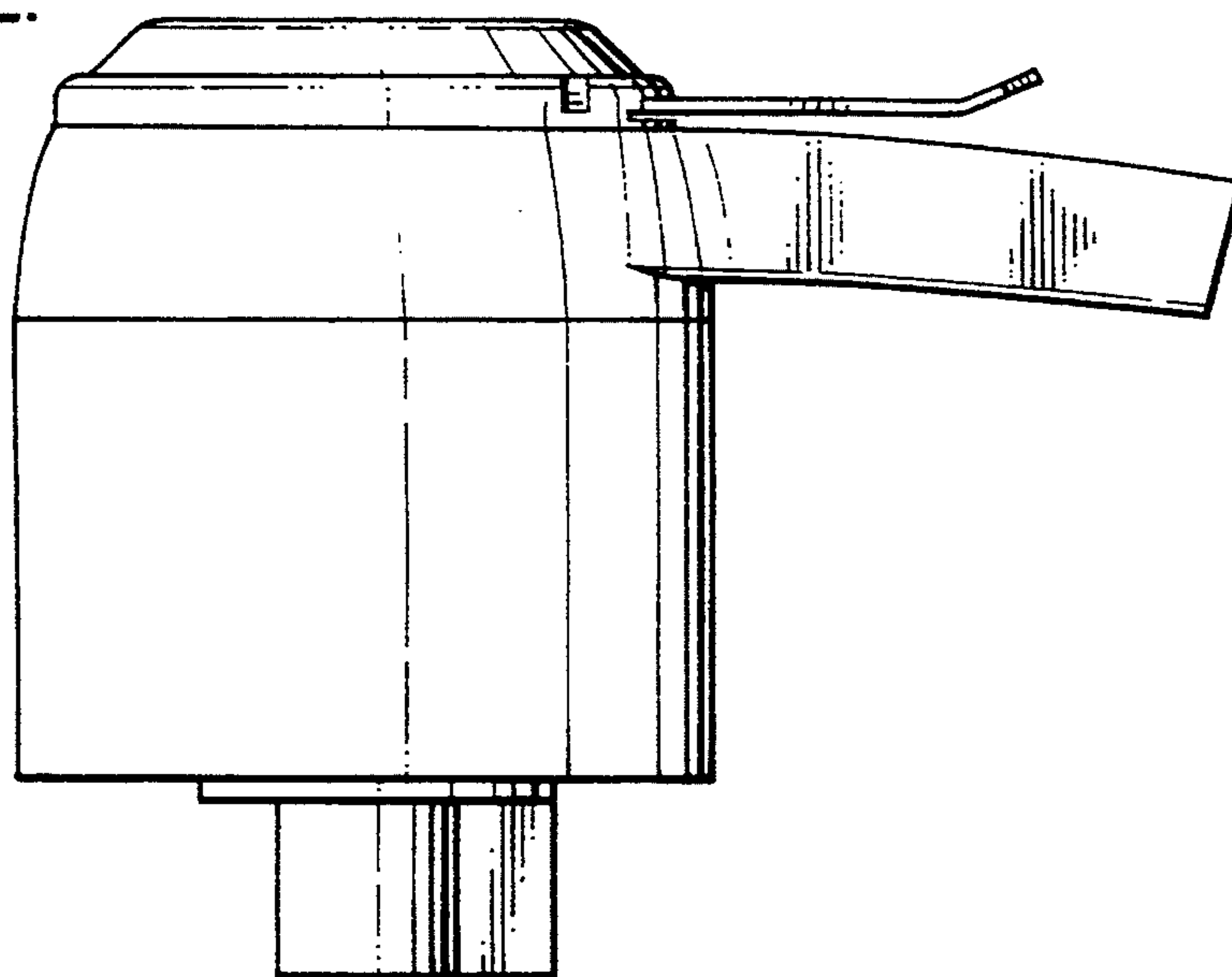


Fig.3.

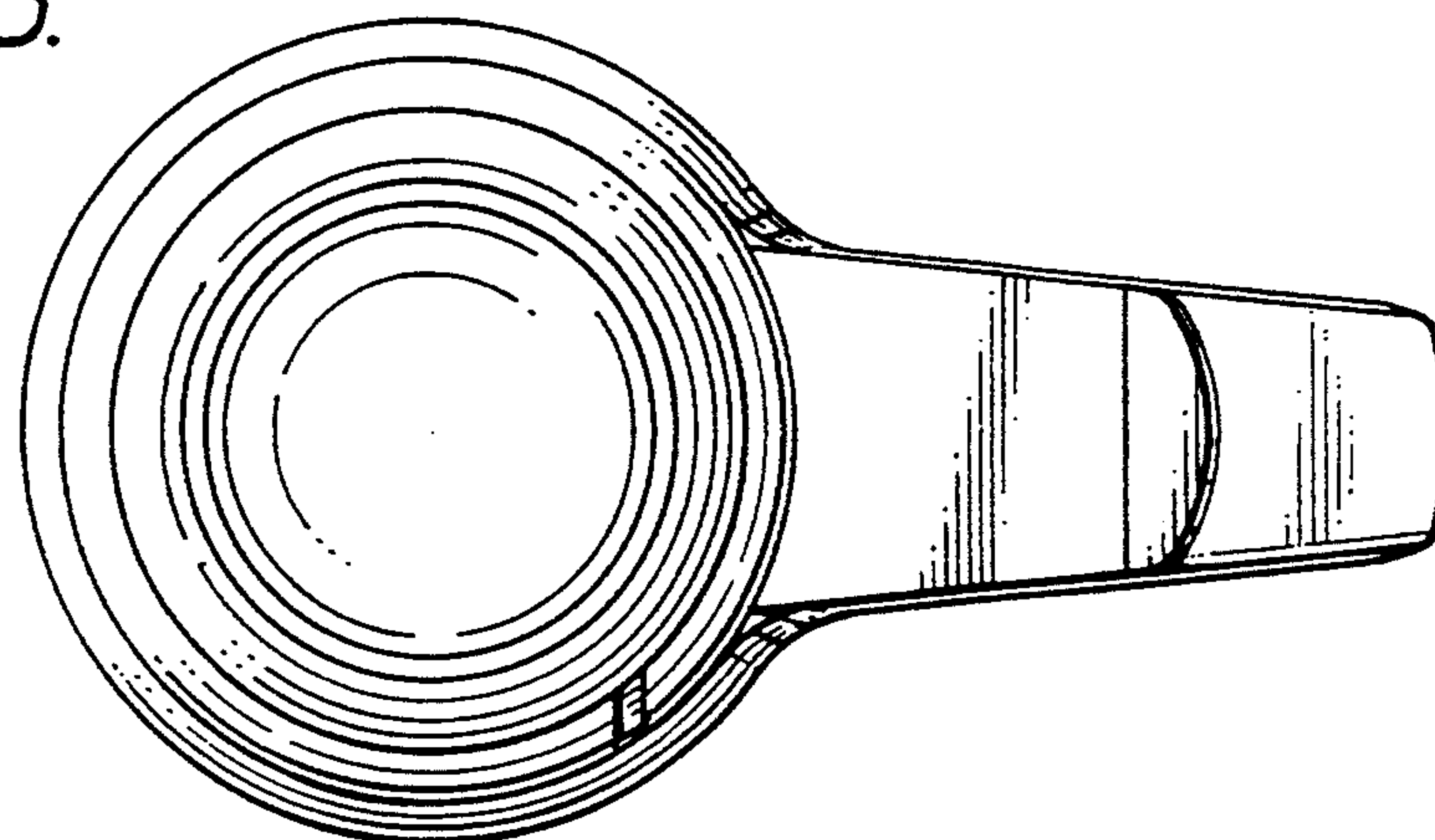


Fig. 4

