



US00D355843S

United States Patent [19]

[11] Patent Number: **Des. 355,843**

Kuwata

[45] Date of Patent: **** Feb. 28, 1995**

[54] **SHELF JOINT**

[75] Inventor: **Yuji Kuwata**, Shizuoka, Japan

[73] Assignee: **Yazaki Industrial Chemical Co. Ltd.**, Chizuoka, Japan

[**] Term: **14 Years**

[21] Appl. No.: **954,071**

[22] Filed: **Sep. 30, 1992**

[52] U.S. Cl. **D8/382**

[58] Field of Search **D8/382, 396; D21/108; 403/169, 170, 217-219, 286, 300, 305, 306, 309, 310, 312, 313, 405.1, 205**

[56] **References Cited**

U.S. PATENT DOCUMENTS

D. 275,075	8/1984	Magnér	D8/382
D. 311,680	10/1990	Miall	D8/382
2,001,215	5/1935	Ruppel	403/306
2,839,320	6/1958	Hill	D8/382
3,502,357	3/1970	Wagner	403/205
4,864,795	9/1989	Burg	403/312
5,015,116	5/1991	Nardone et al.	403/205

Primary Examiner—B. J. Bullock
Attorney, Agent, or Firm—Eric P. Schellin

[57] **CLAIM**

The ornamented design for a shelf joint, as shown and described.

DESCRIPTION

FIG. 1 is a front elevational view of a shelf joint showing my new design;
 FIG. 2 is a rear elevational view;
 FIG. 3 is a top plan view;
 FIG. 4 is a bottom plan view;
 FIG. 5 is a left side elevational view;
 FIG. 6 is a right side elevational view;
 FIG. 7 is a sectional view taken in the direction of the arrows on line 7—7 of FIG. 1;
 FIG. 8 is a sectional view taken in the direction of the arrows on line 8—8 of FIG. 5;
 FIG. 9 is a top, front and right side perspective view;
 FIG. 10 is an exploded top, front and right side perspective view; and,
 FIG. 11 is a reduced perspective view, the broken line showing of the pipes, box and additional connectors being for illustrative purposes only.

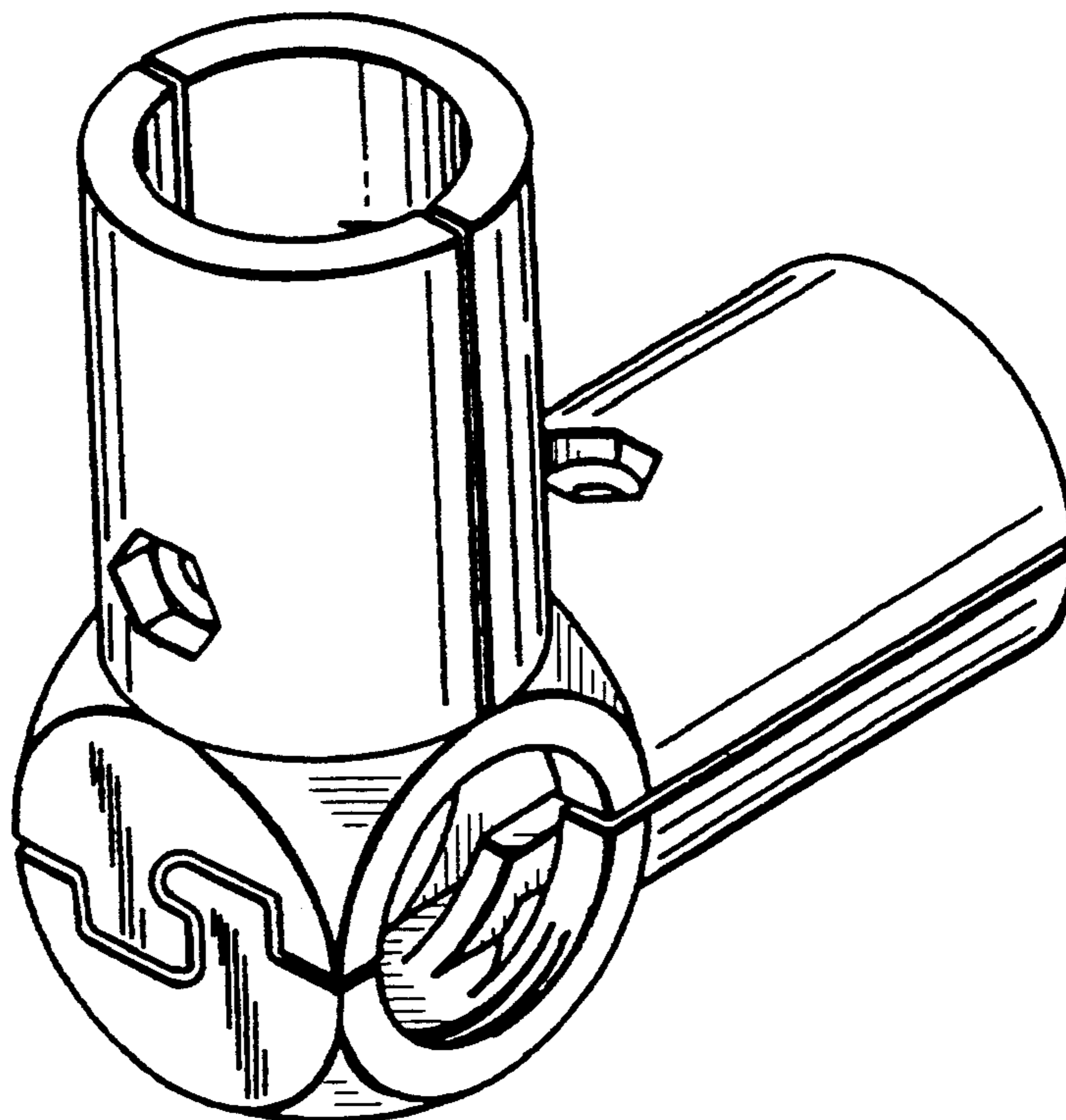


FIG. 1

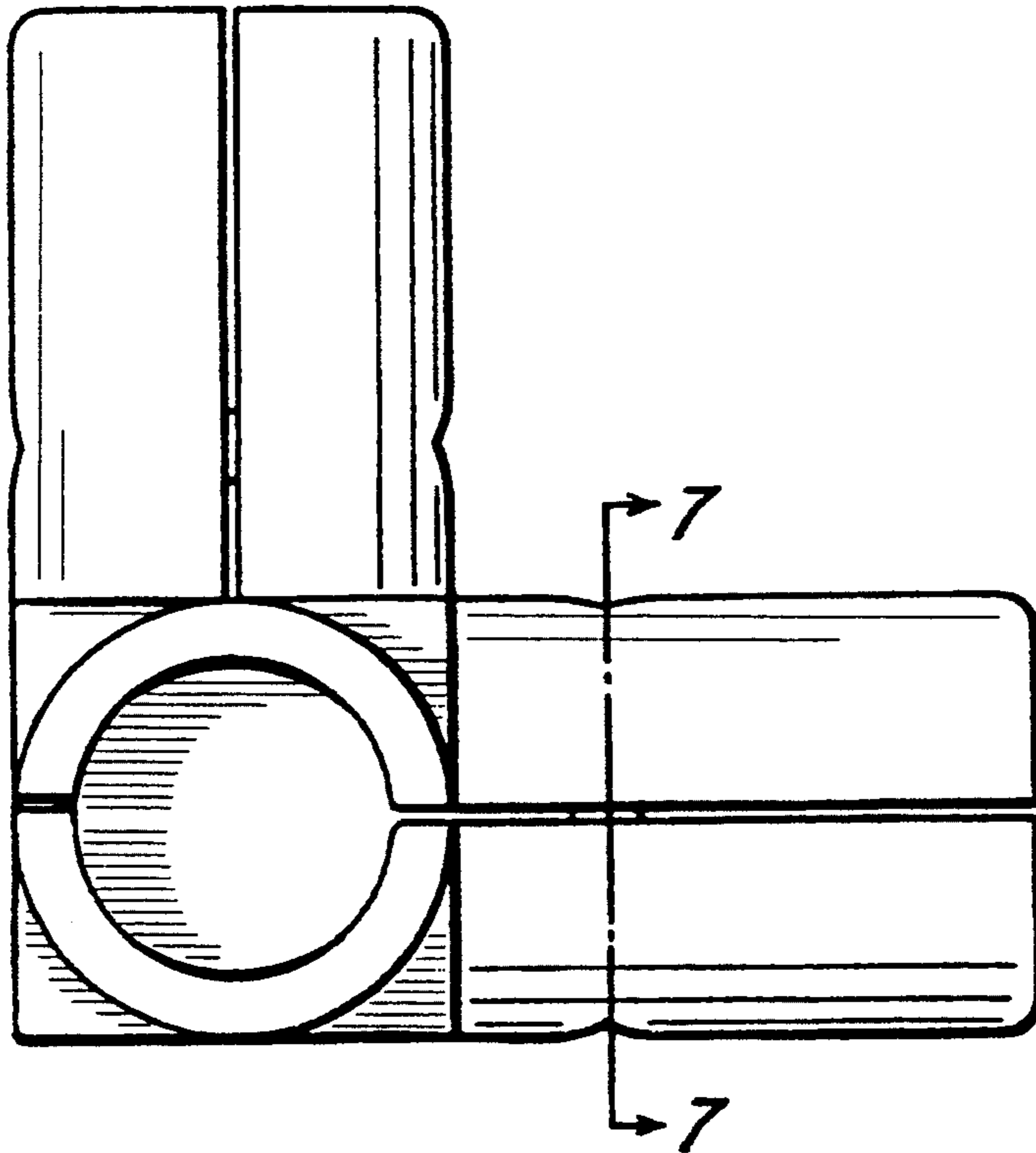


FIG. 2

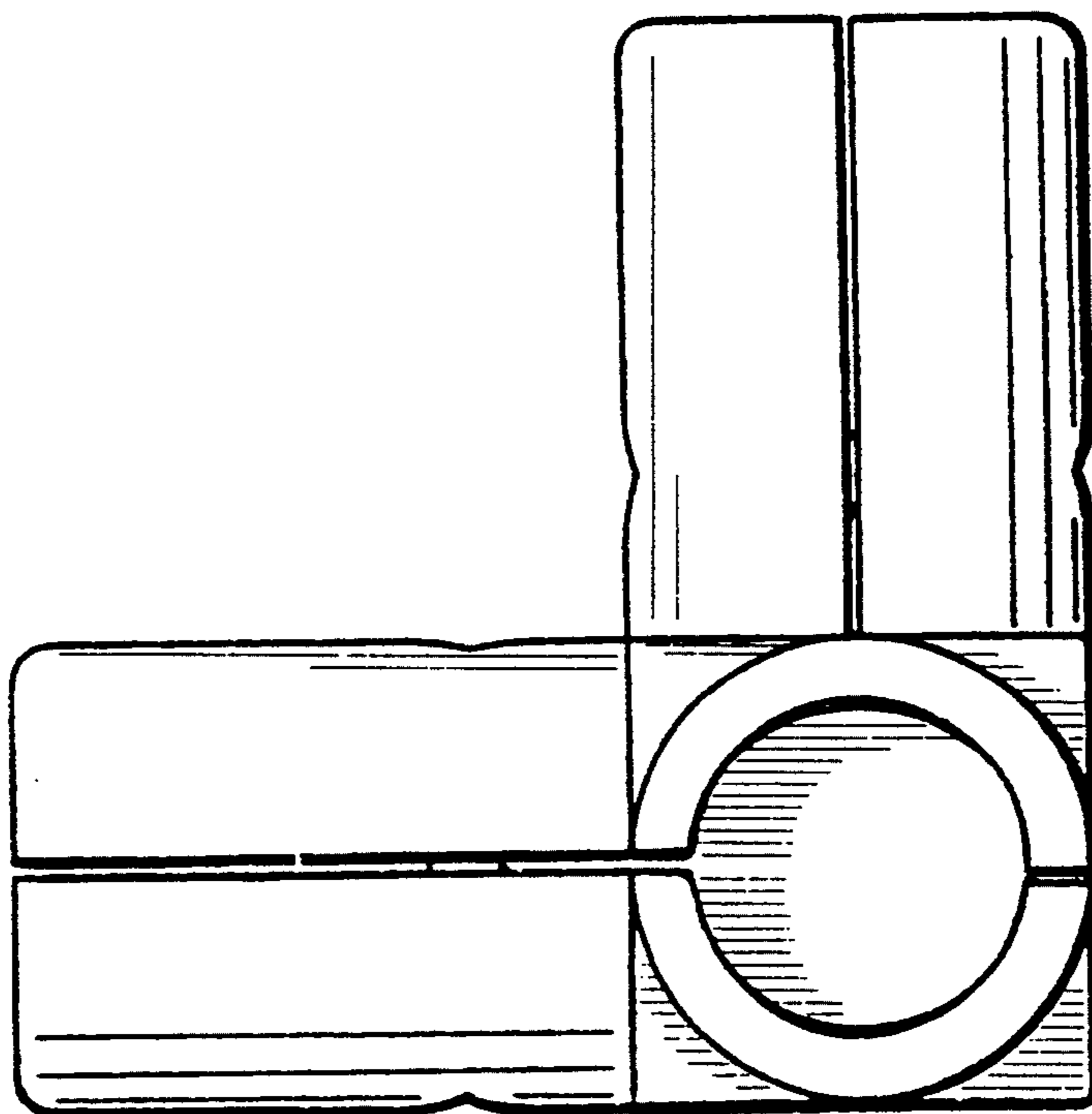


FIG. 3

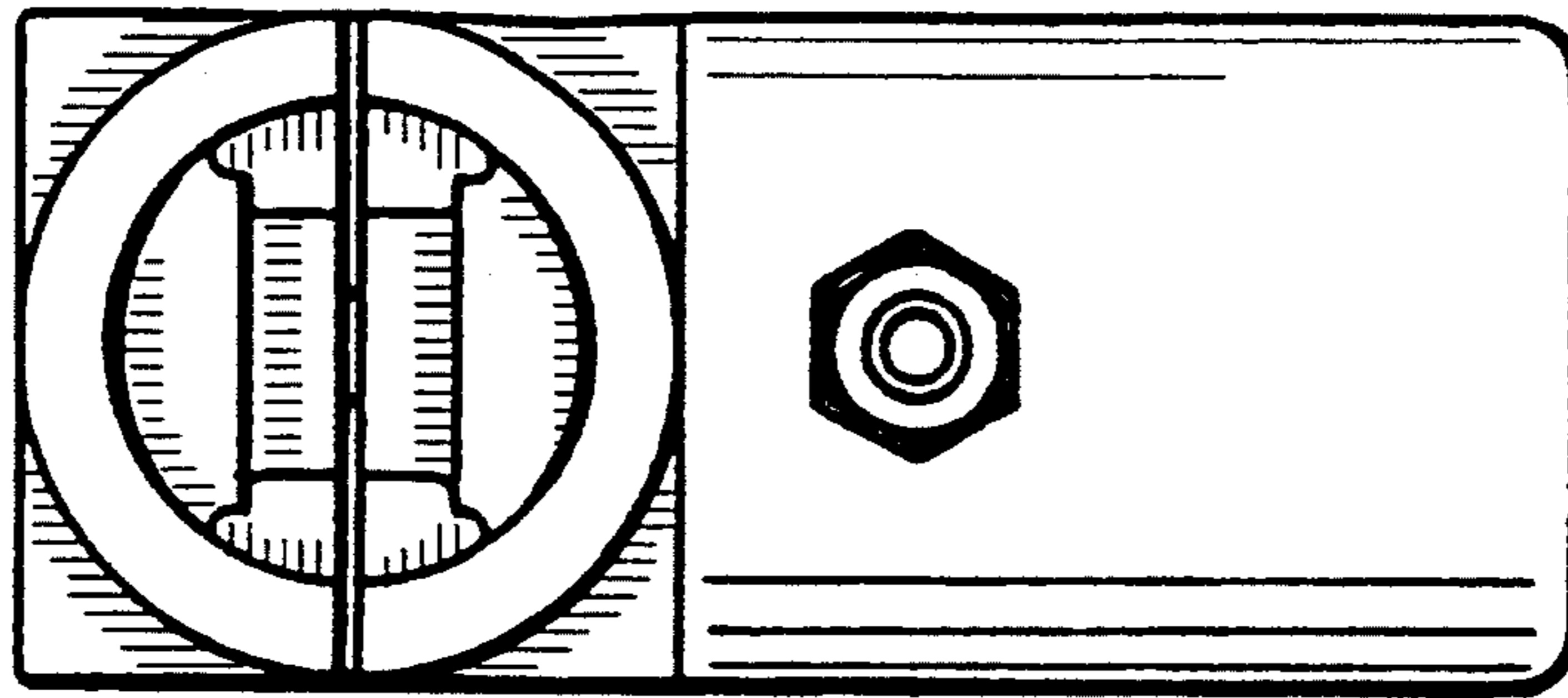


FIG. 4

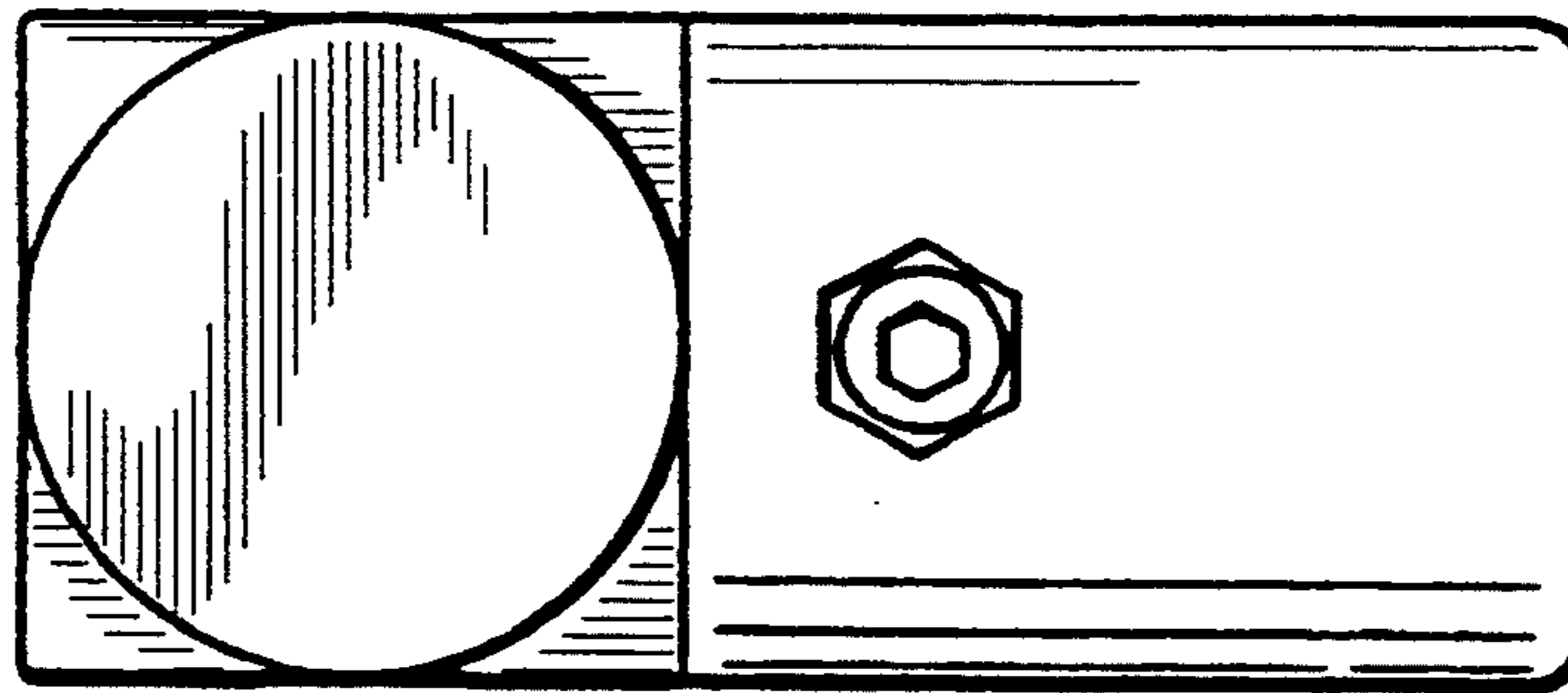


FIG. 5

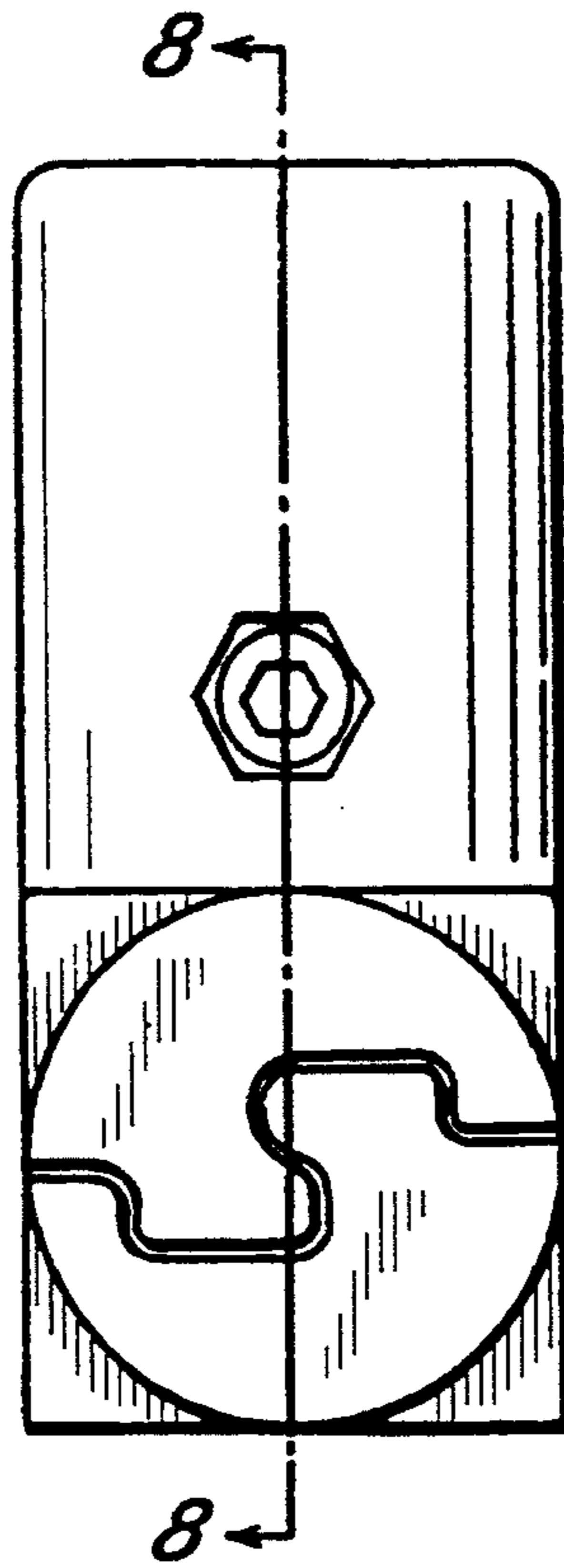


FIG. 6

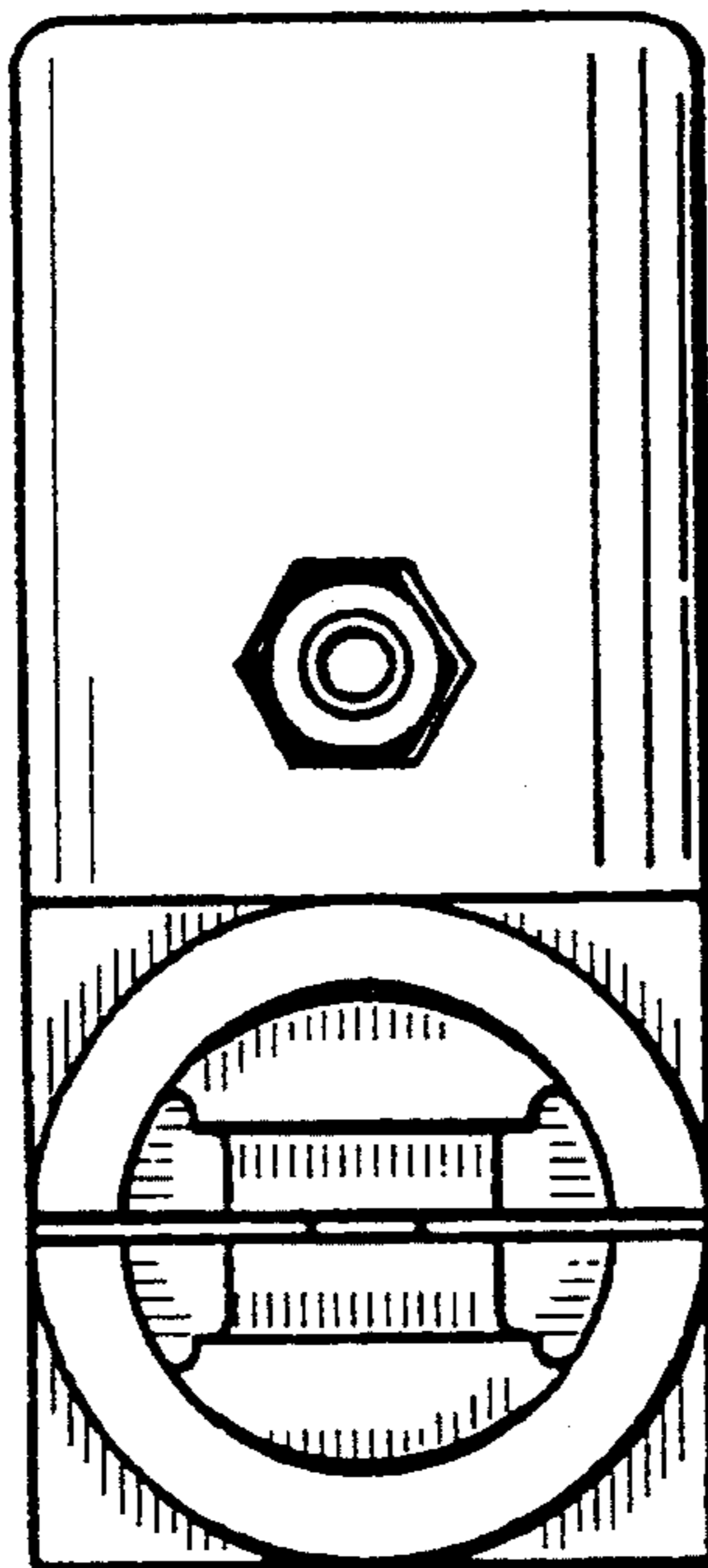


FIG. 7

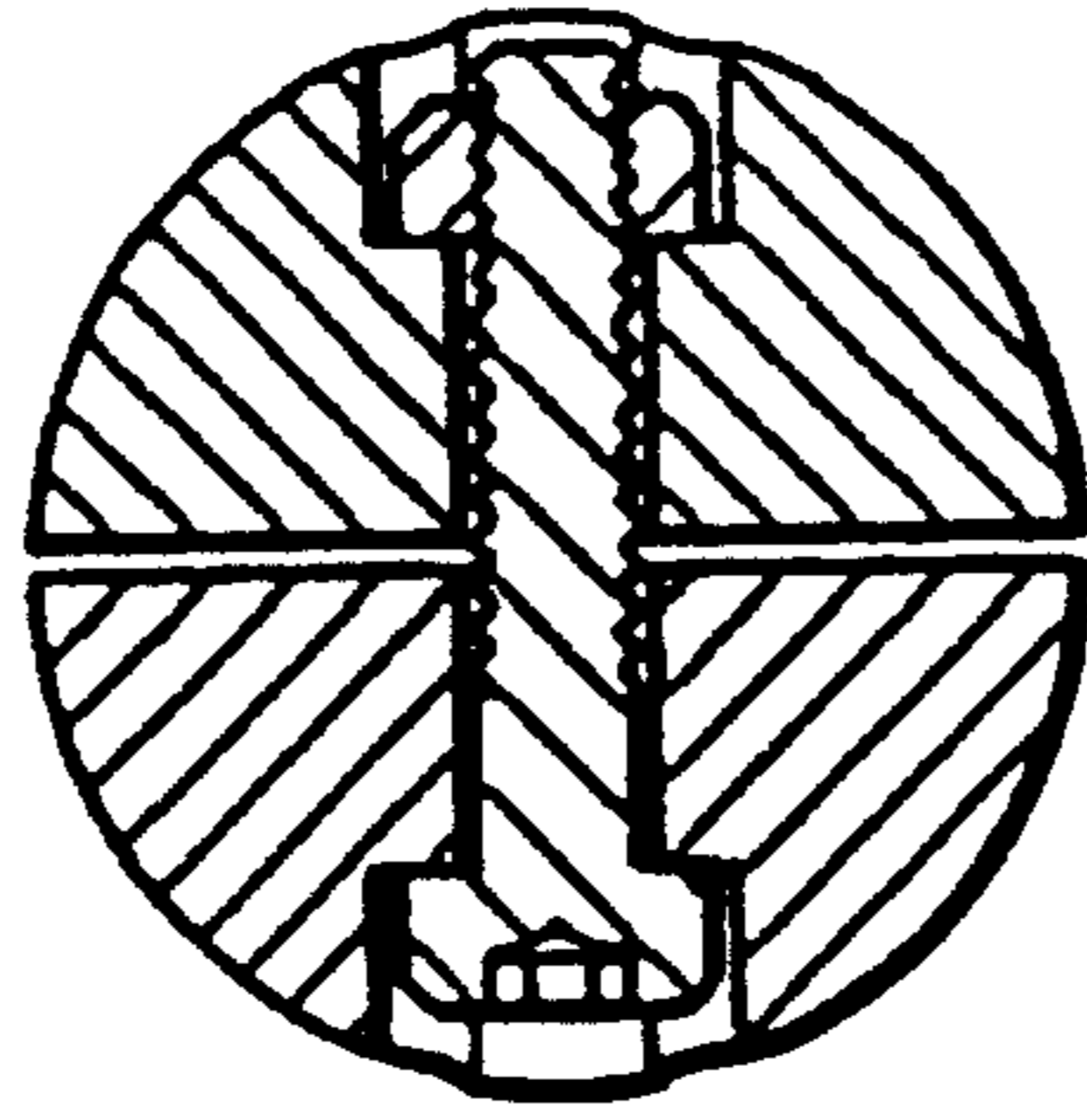


FIG. 8

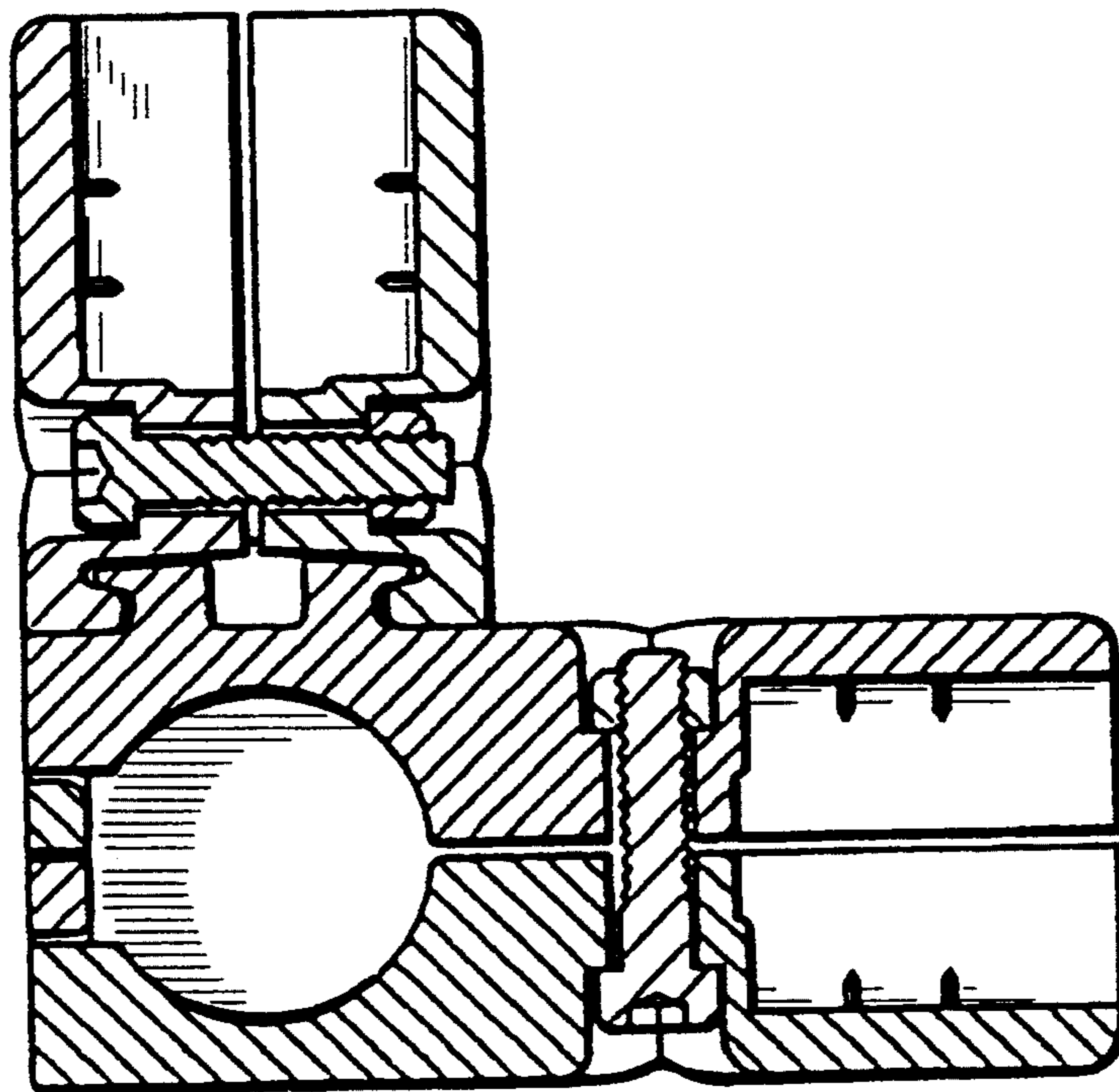


FIG. 9

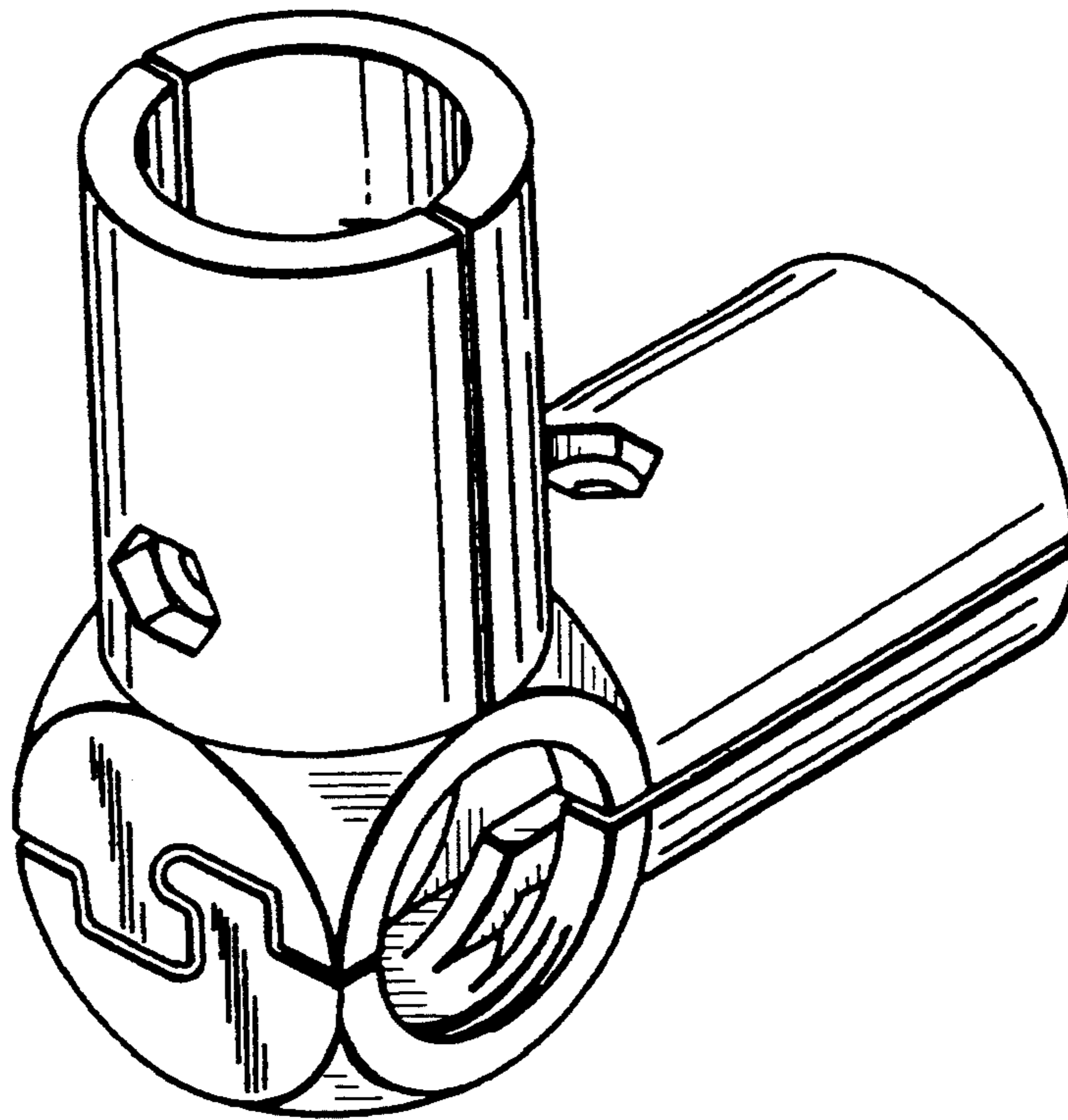


FIG. 10

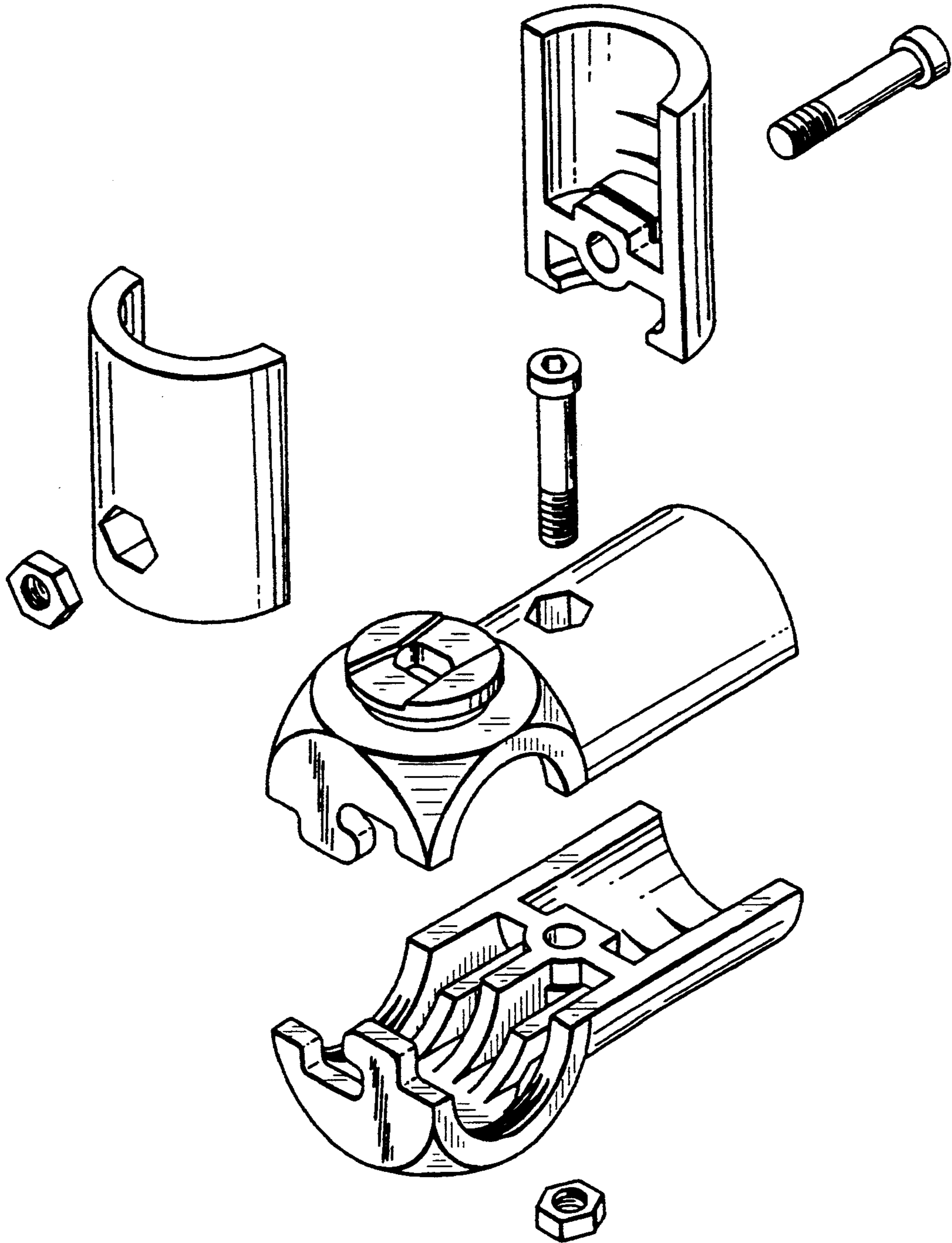


FIG. 11

