



US00D355842S

# United States Patent [19]

[11] Patent Number: **Des. 355,842**

**Goodman et al.**

[45] Date of Patent: **\*\* Feb. 28, 1995**

[54] RACK

- D. 301,406 6/1989 Barbieri et al. .... D8/370 X
- D. 326,564 6/1992 Emery ..... D6/566 X
- D. 344,868 3/1994 Martinell ..... D6/566 X
- 4,094,415 6/1978 Larson ..... 211/87

[76] Inventors: **Sheldon H. Goodman**, 30905 Stratford, Solon, Ohio 44139; **Steven E. Greenhut**, 6368 NW. 23rd Way, Boca Raton, Fla. 33496

*Primary Examiner*—Brian N. Vinson  
*Attorney, Agent, or Firm*—Pearne, Gordon, McCoy & Granger

[\*\*] Term: **14 Years**

[21] Appl. No.: **11,962**

### [57] CLAIM

The ornamental design for a rack, as shown and described.

[22] Filed: **Aug. 18, 1993**

[52] U.S. Cl. .... **D8/372; D6/566**

[58] Field of Search ..... **D6/567, 566; D8/370-372; 248/303-304; 211/30-31, 34-35, 86-87, 123, 181**

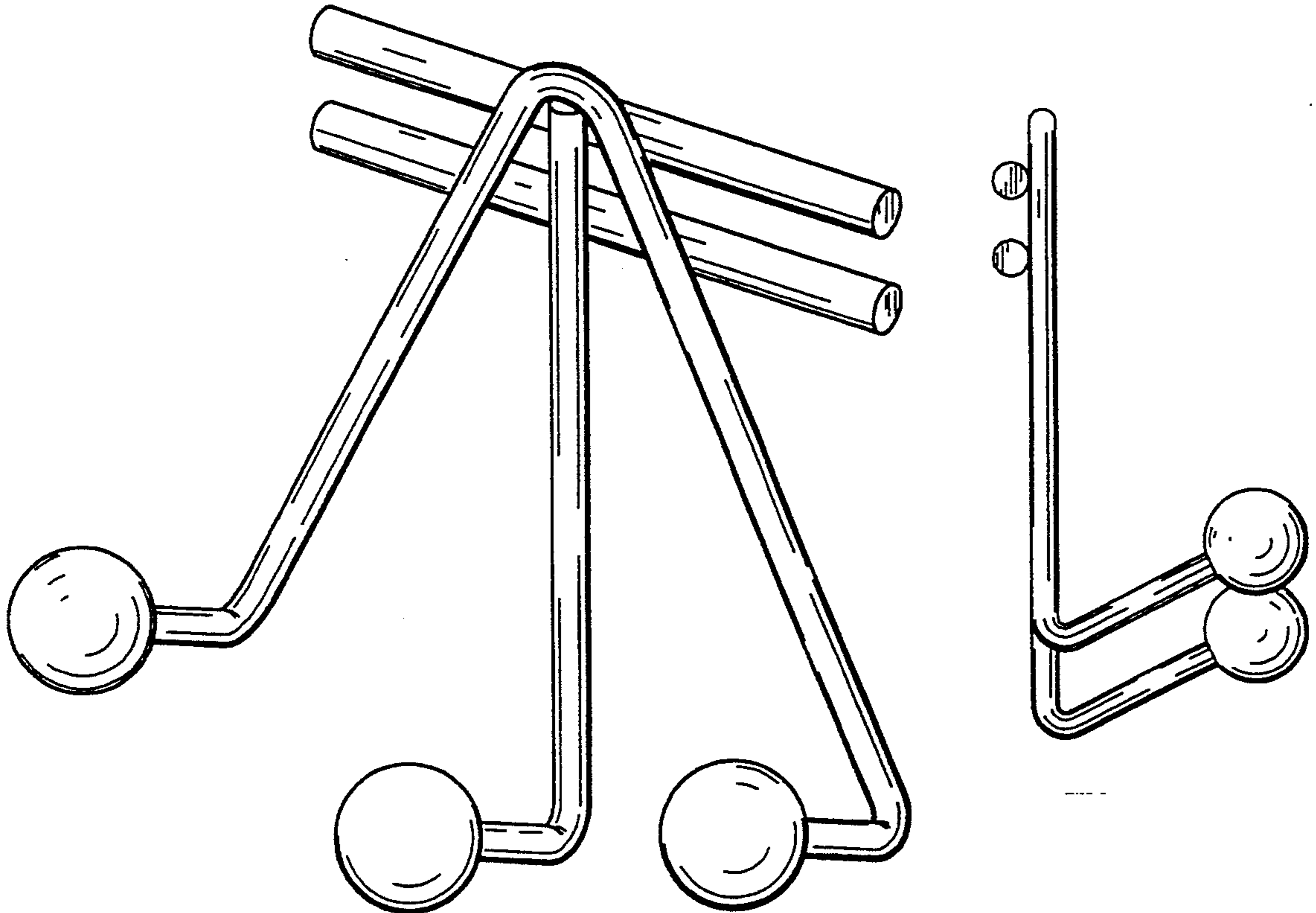
### DESCRIPTION

FIG. 1 is a front perspective view of a rack showing our new design;  
FIG. 2 is a front elevational view thereof;  
FIG. 3 is a rear elevational view thereof;  
FIG. 4 is a left side elevational view thereof, the right side elevational view being a mirror image;  
FIG. 5 is a top plan view thereof; and,  
FIG. 6 is a bottom plan view thereof.

### [56] References Cited

#### U.S. PATENT DOCUMENTS

- D. 156,600 12/1949 Brown ..... D8/370
- D. 244,883 6/1977 Rohrmuller ..... D8/370
- D. 271,545 11/1983 Licari et al. .... D8/372



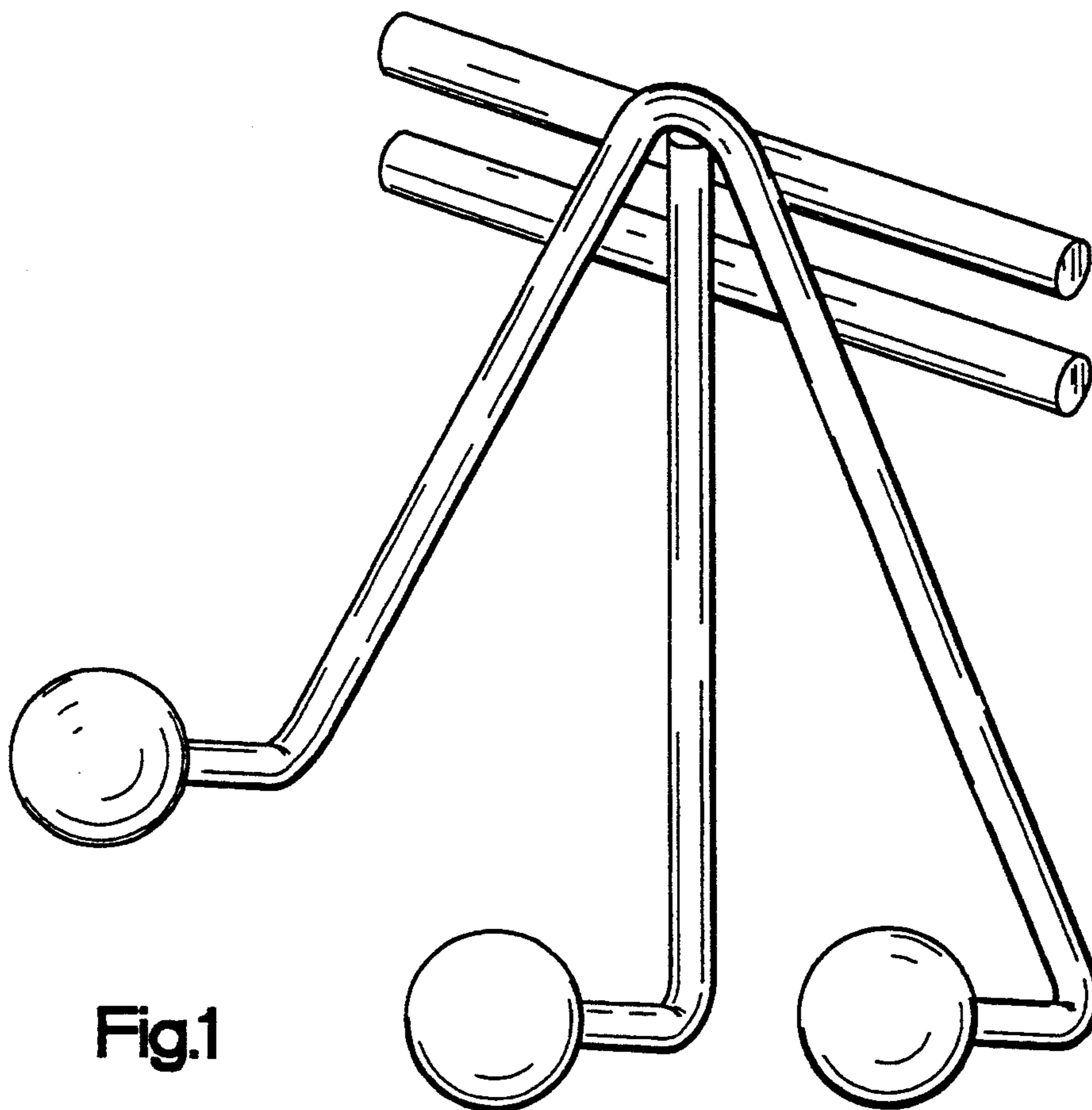


Fig.1

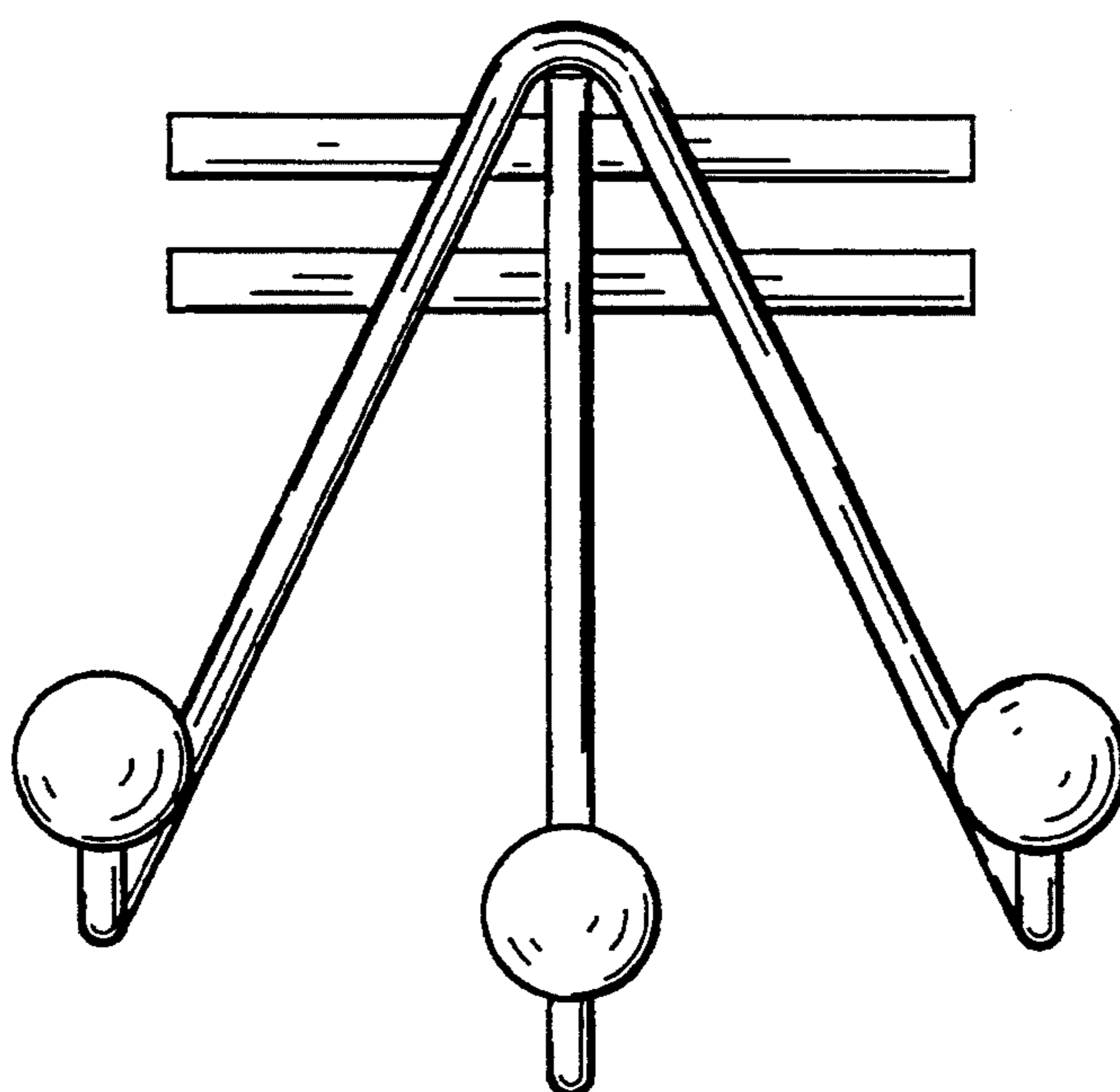


Fig.2

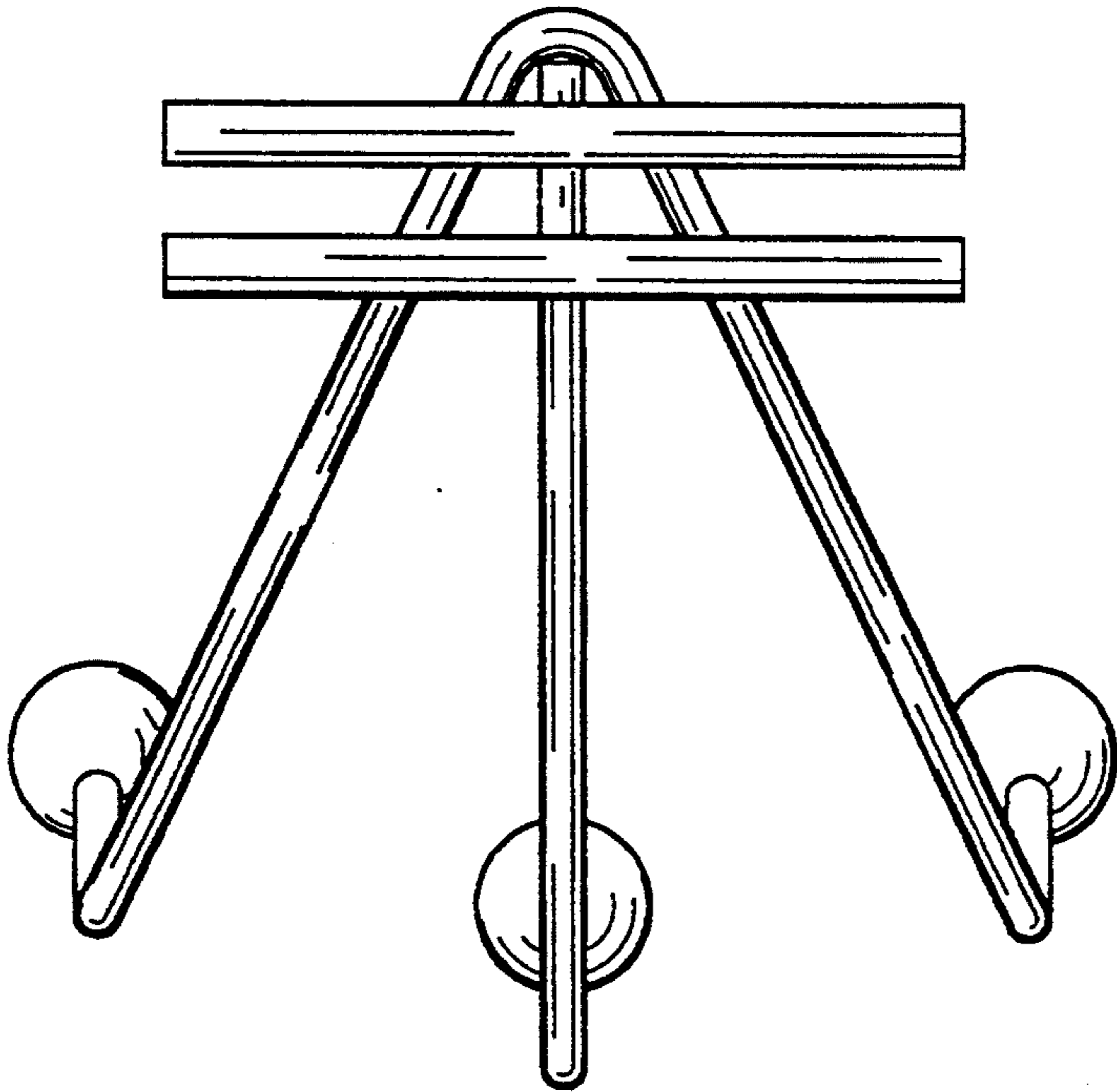


Fig.3

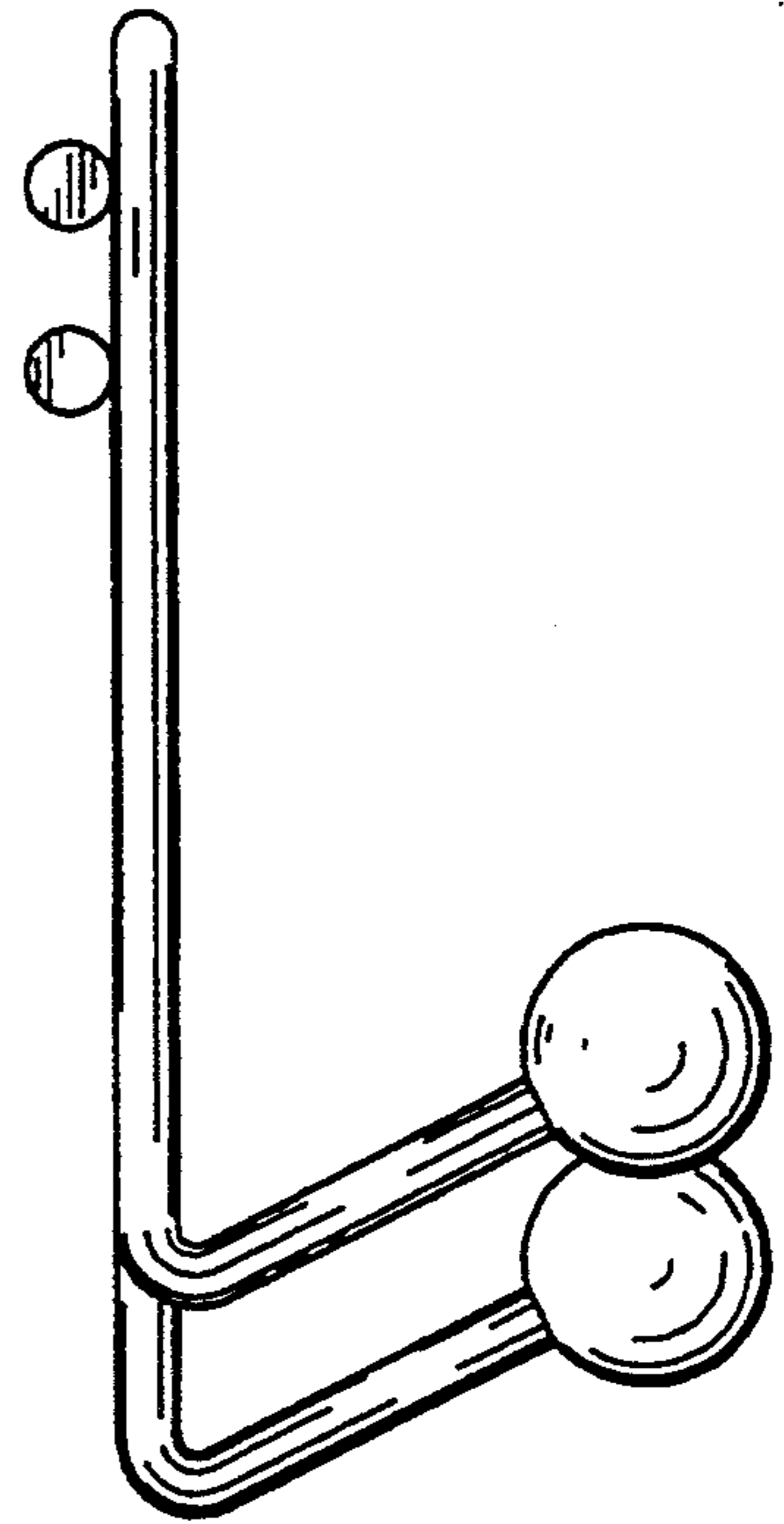


Fig.4

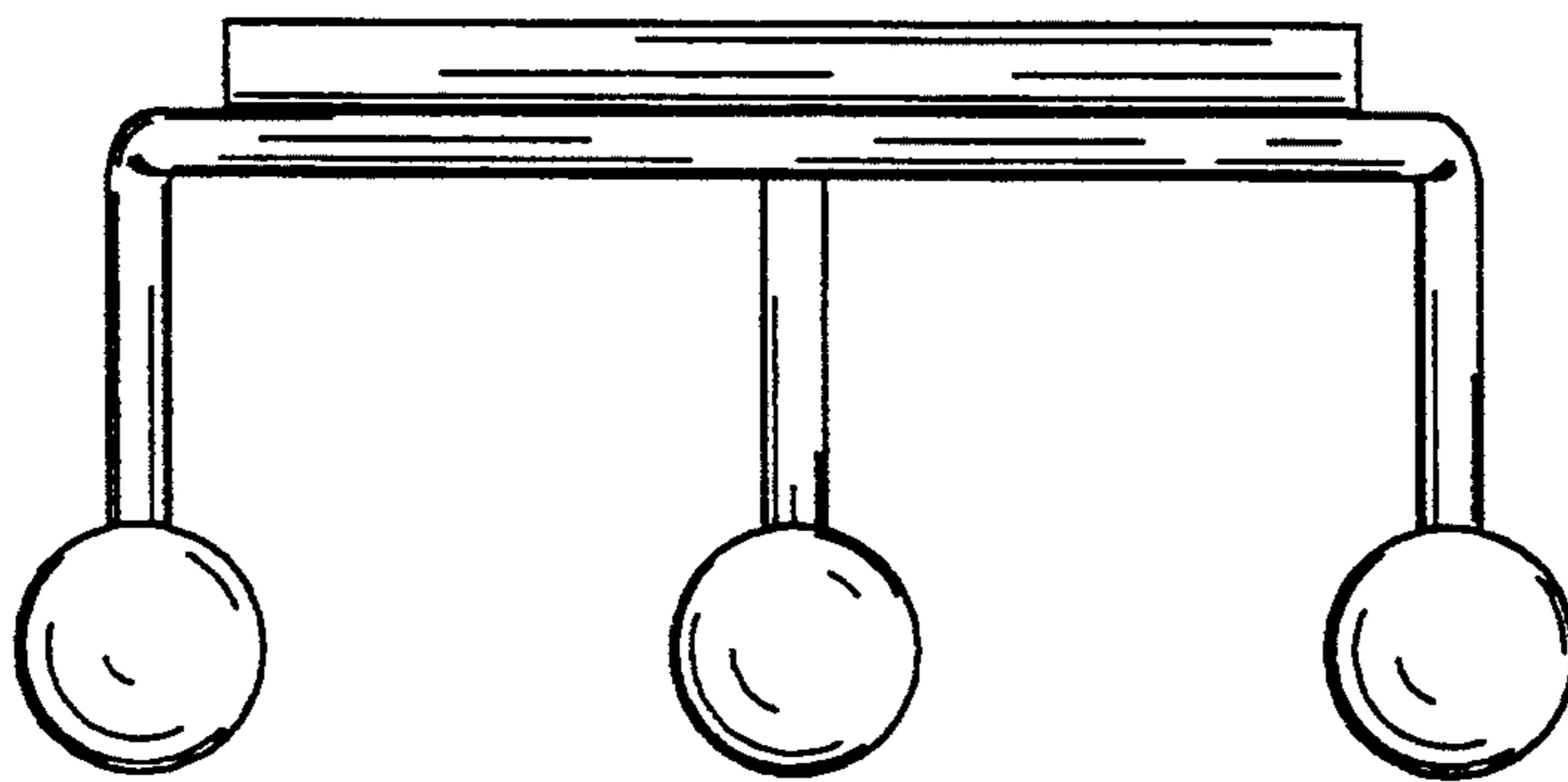


Fig.5

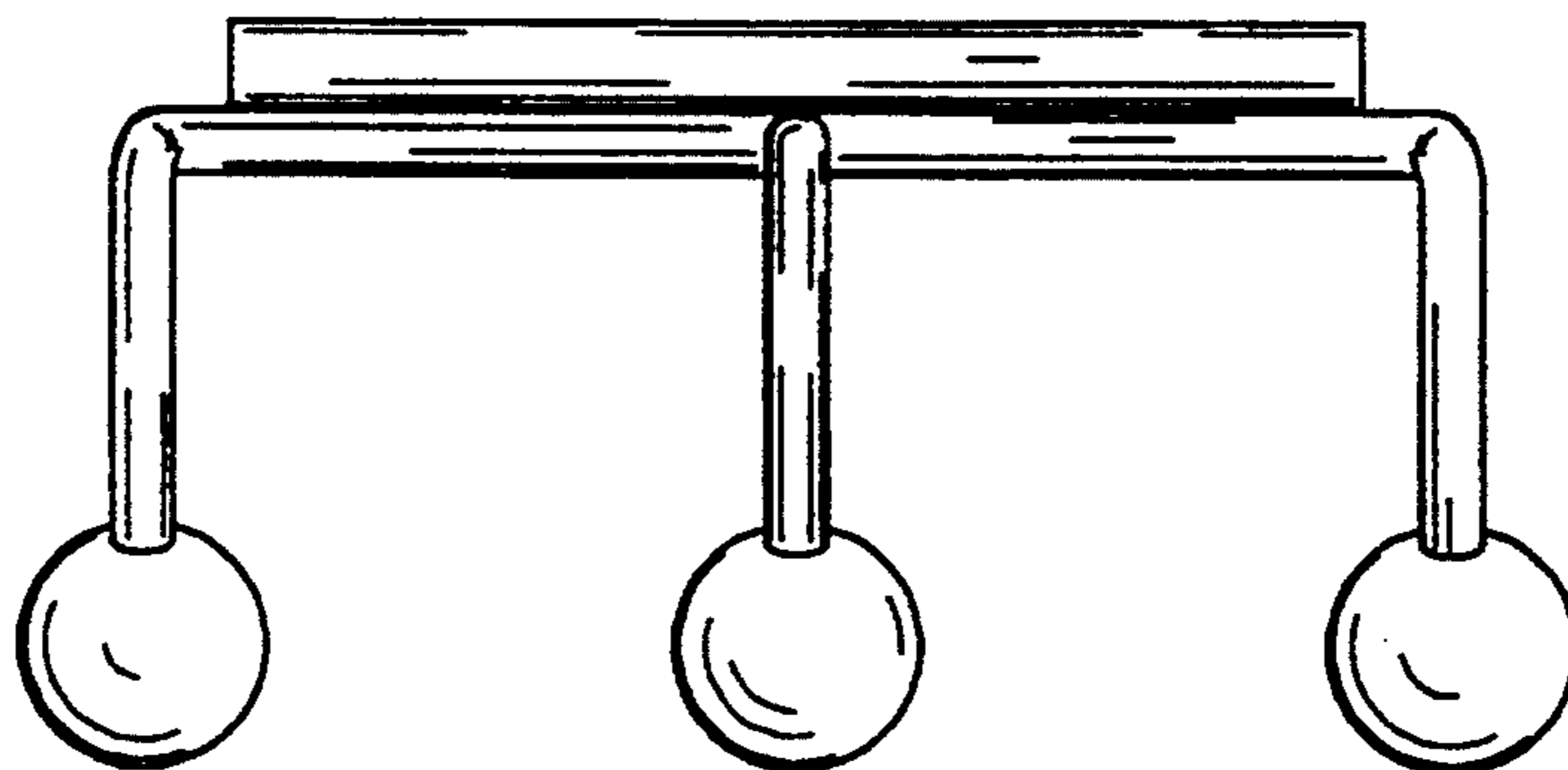


Fig.6