



US00D355841S

# United States Patent [19]

[11] Patent Number: **Des. 355,841**

Goodman et al.

[45] Date of Patent: **\*\* Feb. 28, 1995**

[54] RACK

[76] Inventors: **Sheldon H. Goodman**, 30905 Stratford, Solon, Ohio 44139; **Steven E. Greenhut**, 6368 NW. 23rd Way, Boca Raton, Fla. 33496

[\*\*] Term: **14 Years**

[21] Appl. No.: **11,957**

[22] Filed: **Aug. 18, 1993**

[52] U.S. Cl. .... **D8/372; D6/566**

[58] Field of Search ..... **D6/567, 566; D8/370-372; 248/303-304; 211/30-31, 34-35, 86-87, 123, 181**

[56] **References Cited**

**U.S. PATENT DOCUMENTS**

- D. 271,545 11/1983 Licari et al. .... D8/372
- D. 275,629 9/1984 Einhorn ..... D8/372
- D. 301,523 6/1989 Barbieri ..... D8/370 X

- D. 326,564 6/1992 Emery ..... D6/566 X
- D. 327,213 6/1992 Murphy ..... D8/372
- 4,069,920 1/1978 Ross ..... 211/87
- 4,094,415 6/1978 Larson ..... 211/87

*Primary Examiner*—Brian N. Vinson  
*Attorney, Agent, or Firm*—Pearne, Gordon, McCoy & Granger

[57] **CLAIM**

The ornamental design for a rack, as shown and described.

**DESCRIPTION**

FIG. 1 is a front perspective view of a rack showing our new design;

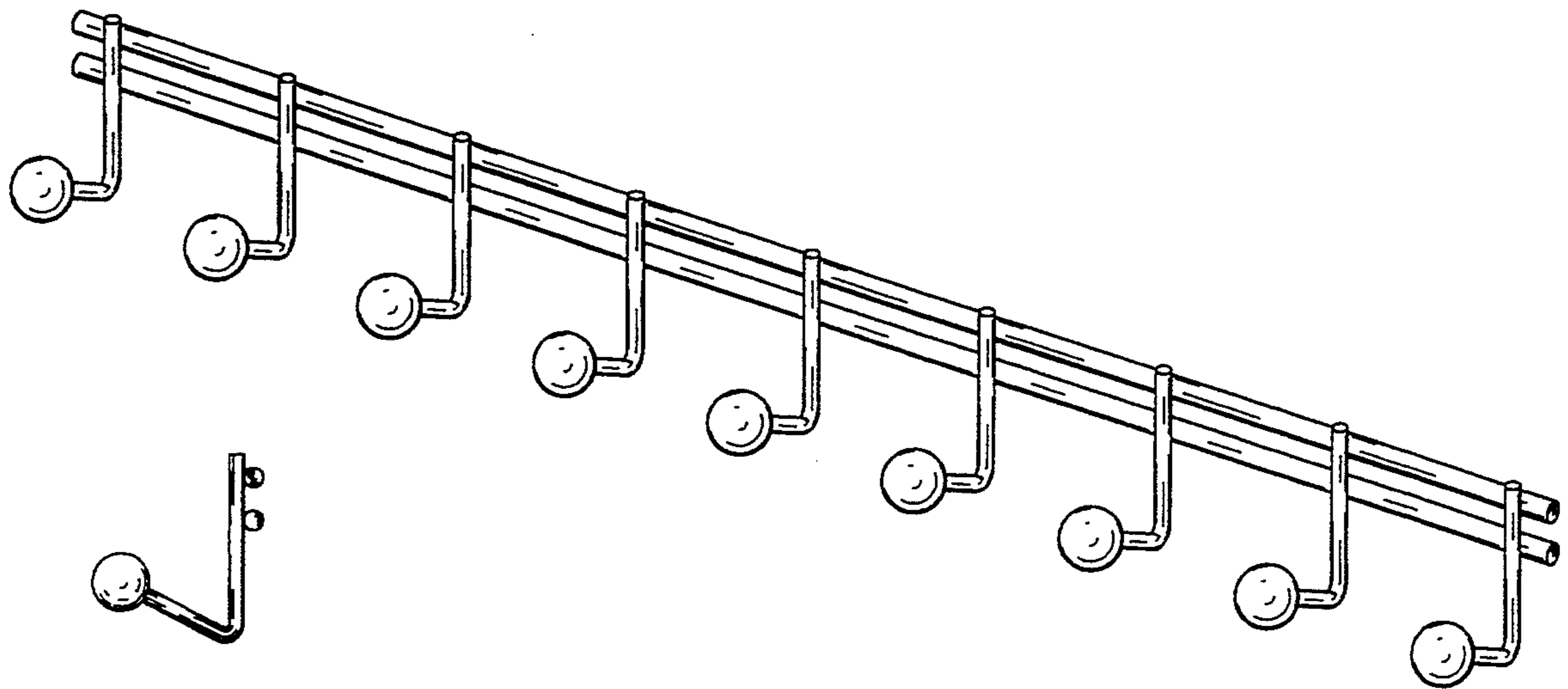
FIG. 2 is a right side elevational view thereof, the left side elevational view being a mirror image;

FIG. 3 is a front elevational view thereof;

FIG. 4 is a rear elevational view thereof;

FIG. 5 is a top plan view thereof; and,

FIG. 6 is a bottom plan view thereof.



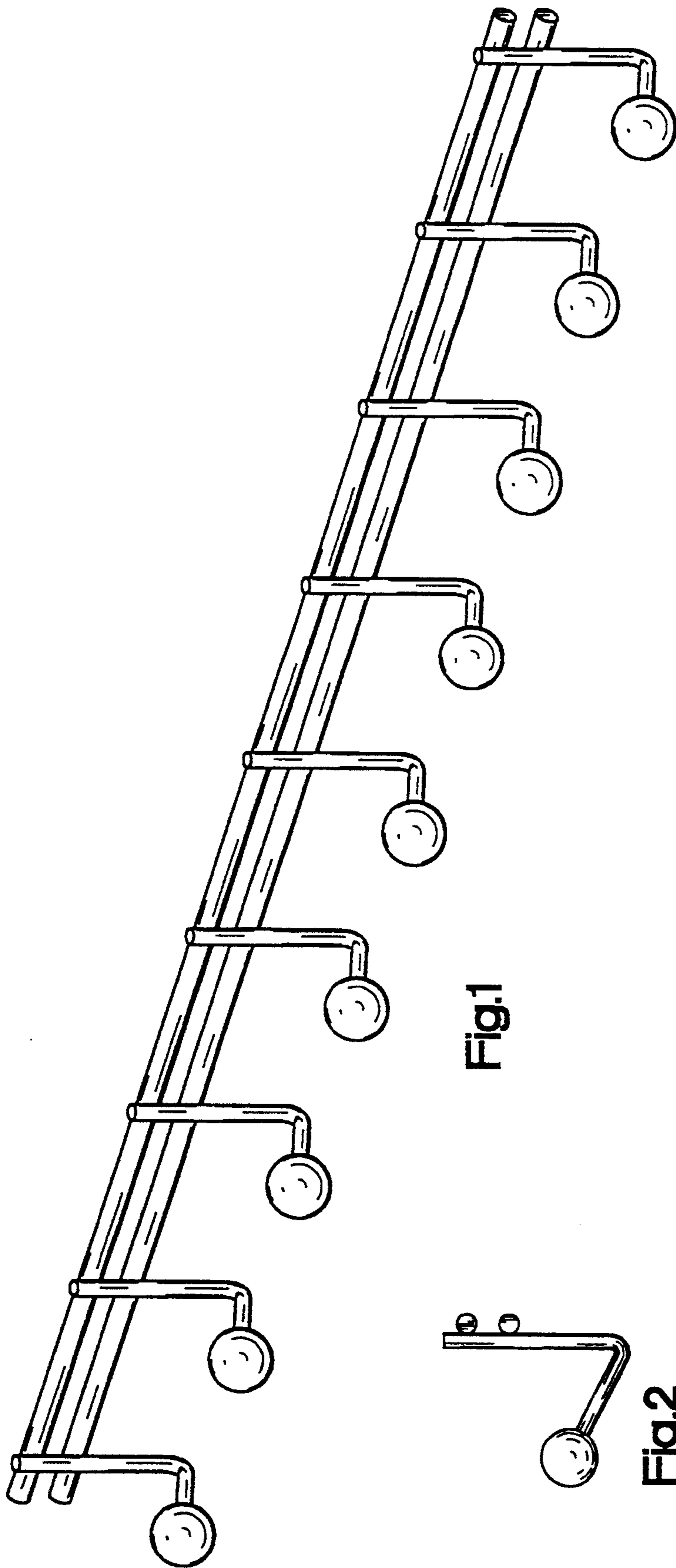


Fig.1

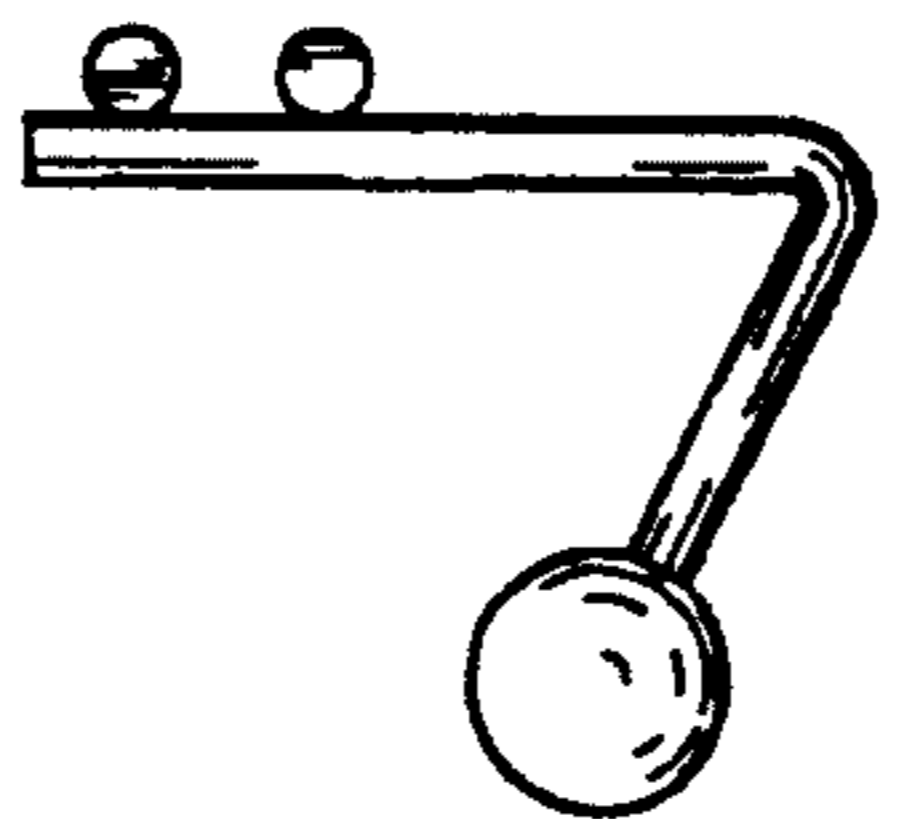


Fig.2

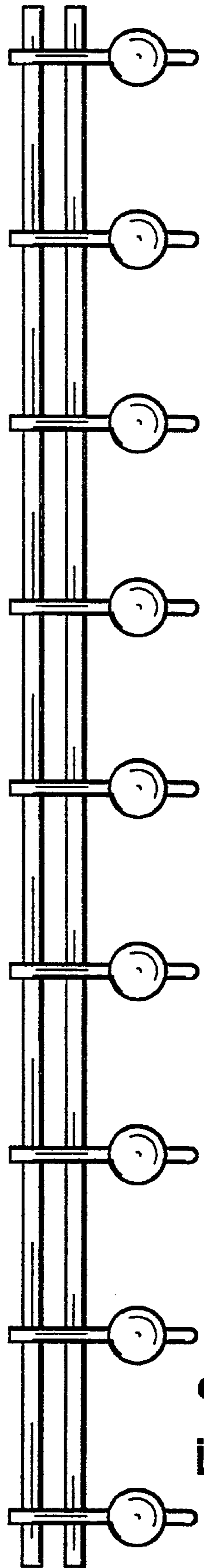


Fig.3

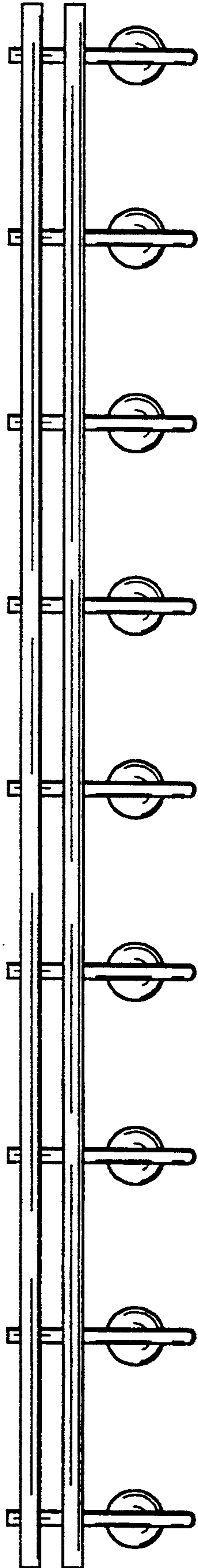


Fig. 4

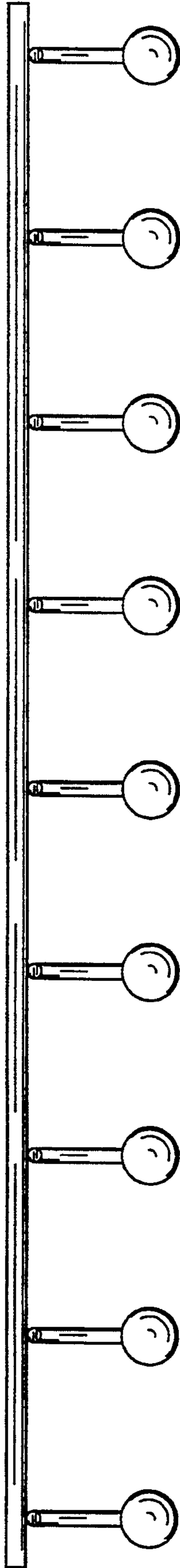


Fig. 5

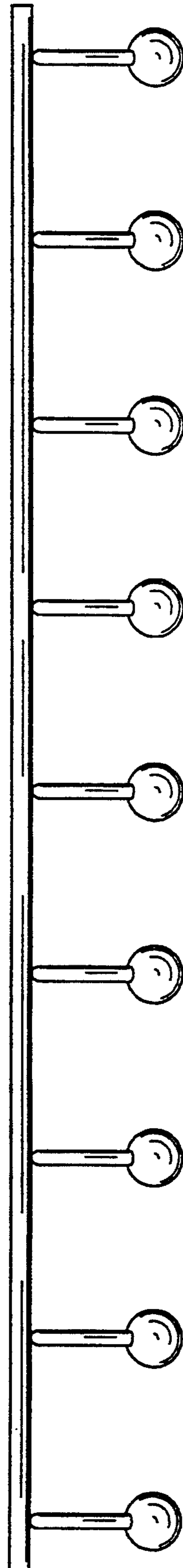


Fig. 6