



US00D355840S

# United States Patent [19] Carroll

[11] Patent Number: **Des. 355,840**

[45] Date of Patent: **\*\* Feb. 28, 1995**

[54] **BRACKET AND PULLEY UNIT**

[76] Inventor: **Francis G. Carroll**, 428 Lathrop Ave., Apt. A., Boonton, N.J. 07005

[\*\*] Term: **14 Years**

[21] Appl. No.: **951,709**

[22] Filed: **Sep. 28, 1982**

[52] U.S. Cl. .... **D8/360**

[58] Field of Search ..... **D8/360, 349, 354, 357; D15/5; 248/638, 675, 637**

[56] **References Cited**

**U.S. PATENT DOCUMENTS**

D. 265,884	8/1982	Mabry	.....	D8/354
D. 273,274	4/1984	Taylor	.....	D8/380
D. 315,859	4/1991	Carroll	.....	D8/357
D. 332,951	2/1993	Seats	.....	D15/5
D. 342,524	12/1993	Younger	.....	D15/5
4,360,950	11/1982	Miller	.....	248/638 X

*Primary Examiner*—Wallace R. Burke  
*Assistant Examiner*—H. Baynham  
*Attorney, Agent, or Firm*—Richard N. Miller

[57] **CLAIM**

The ornamental design for a bracket and pulley unit, as shown and described.

**DESCRIPTION**

FIG. 1 is a front view of a bracket and pulley unit embodying my new design;  
FIG. 2 is a top plan view thereof;  
FIG. 3 is a left side elevational view thereof;  
FIG. 4 is a right side elevational view thereof;  
FIG. 5 is a rear elevational view thereof;  
FIG. 6 is a bottom plan view thereof; and,  
FIG. 7 is an isometric view of the bracket and pulley assembly of FIG. 1 at an angle of thirty degrees from the horizontal and tilted downward from the vertical at an angle of thirty degrees showing part of the left side surface, part of the front surface and part of the top surface.

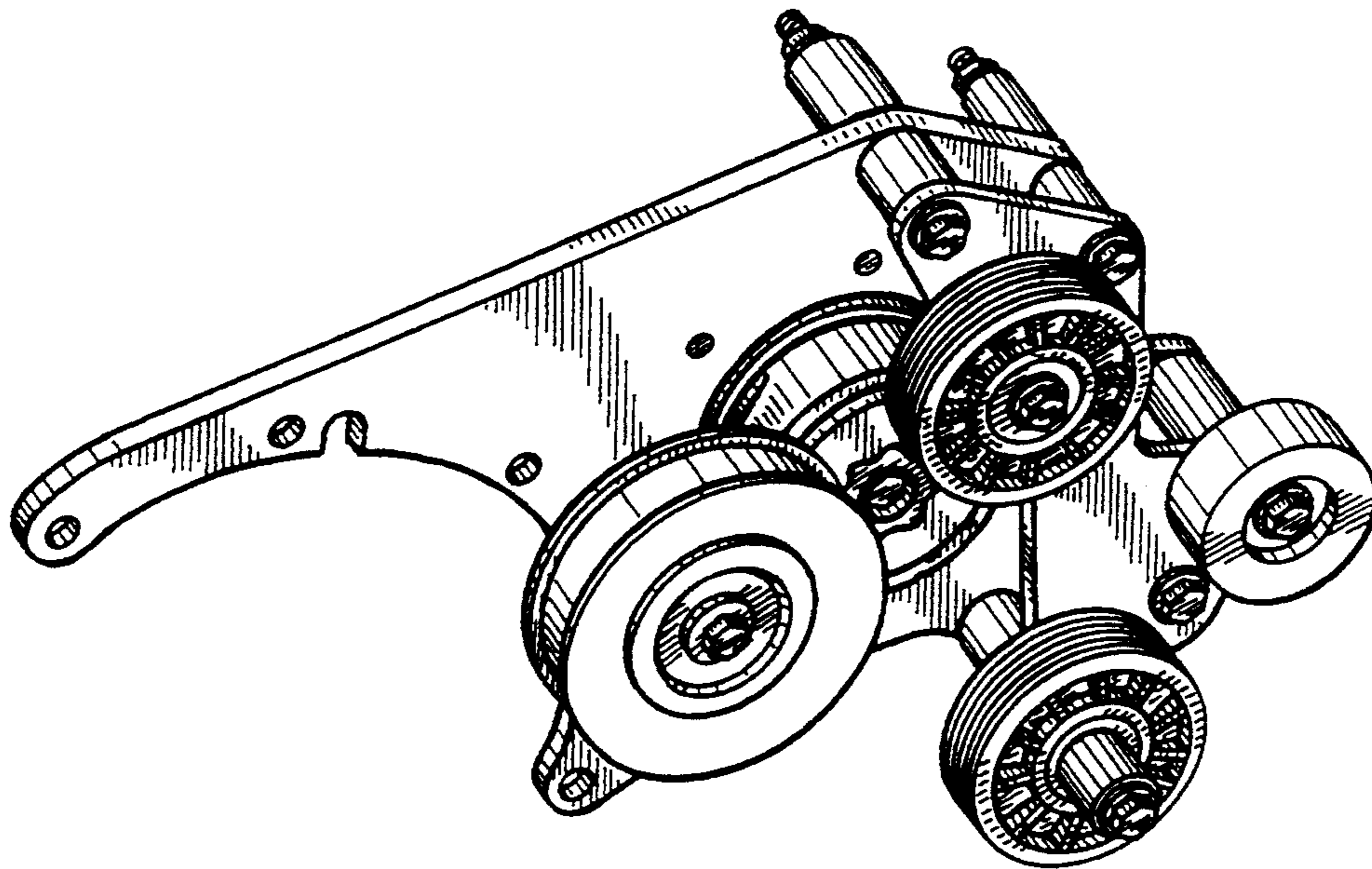


FIG. 1

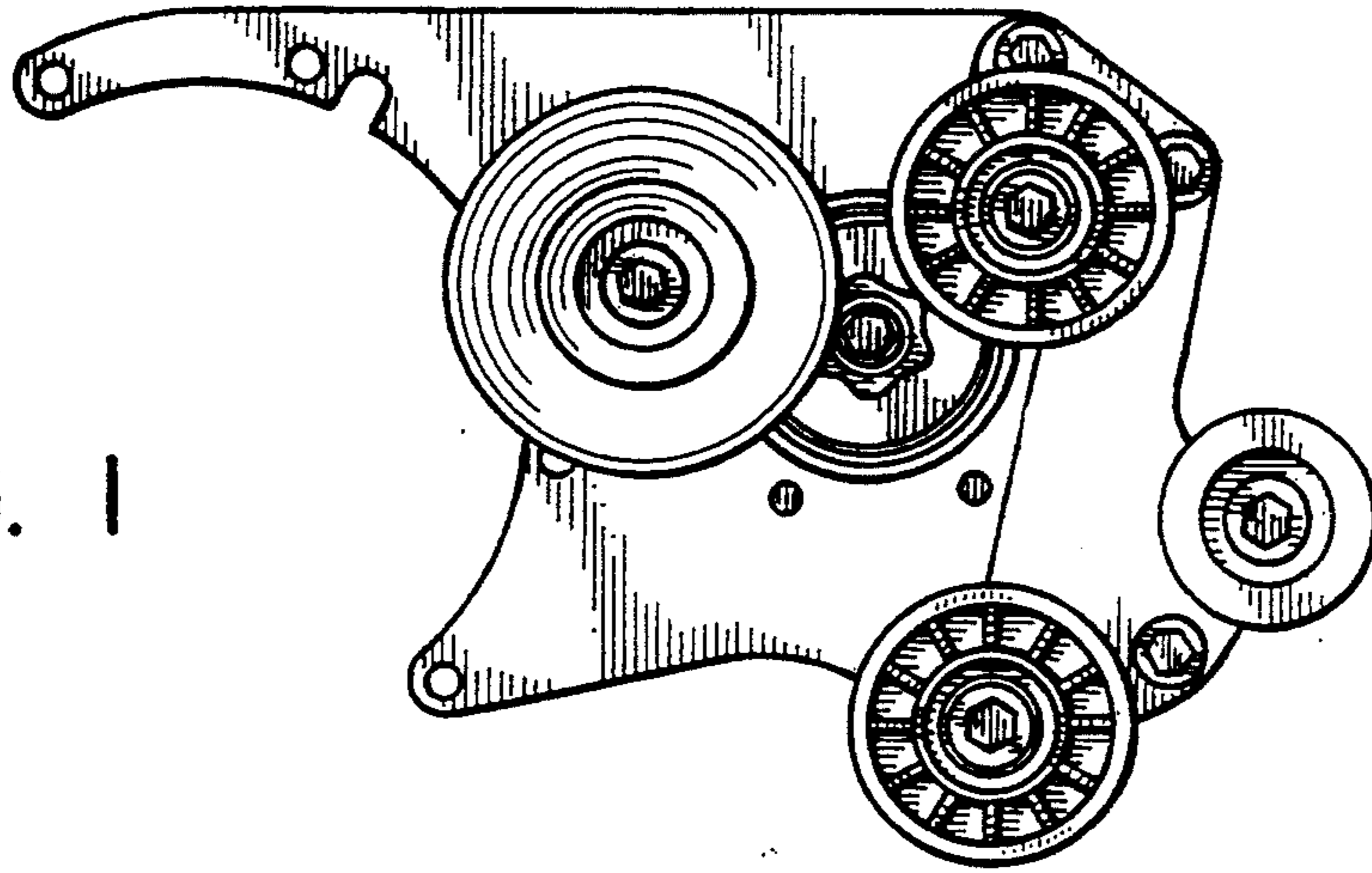


FIG. 2

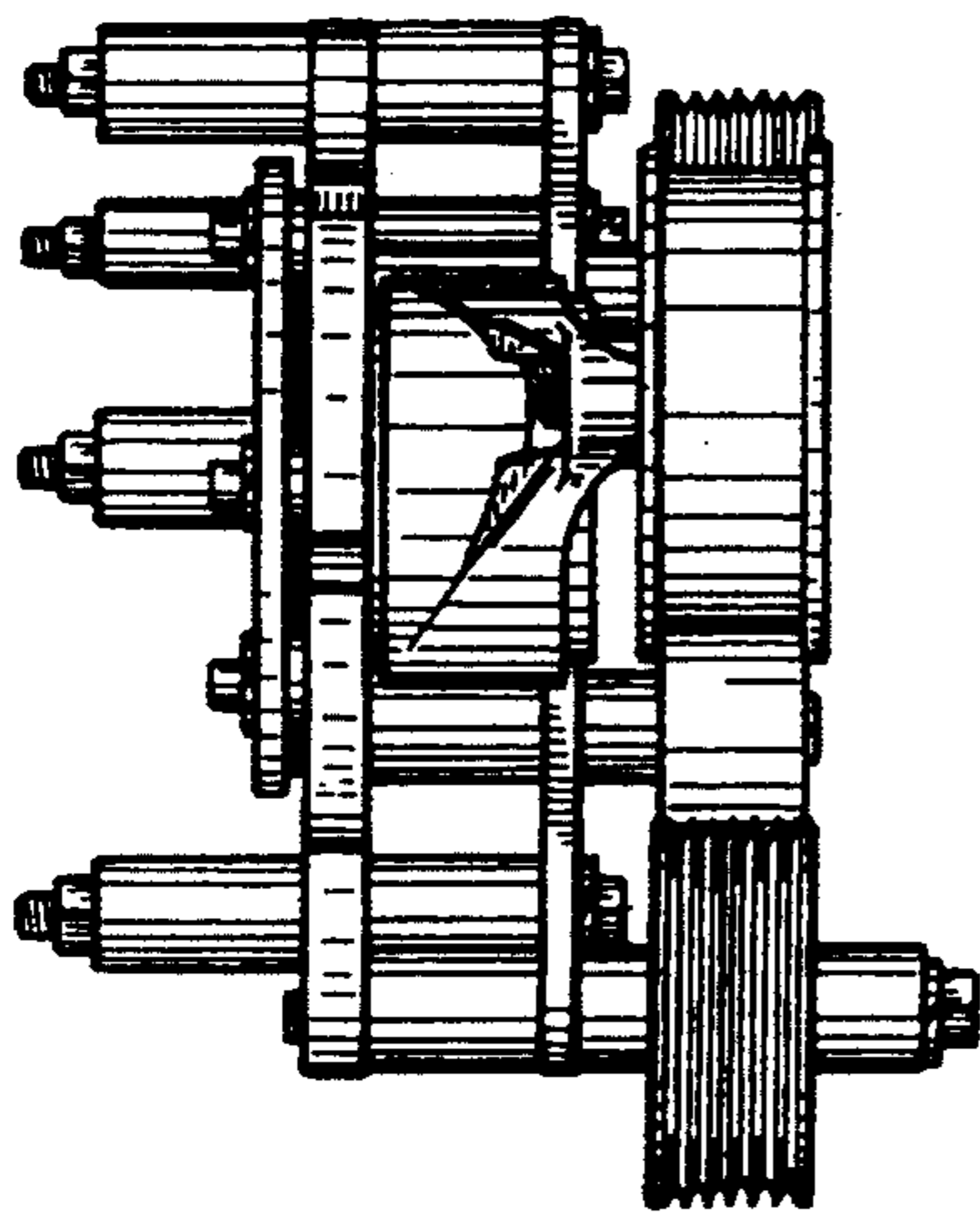
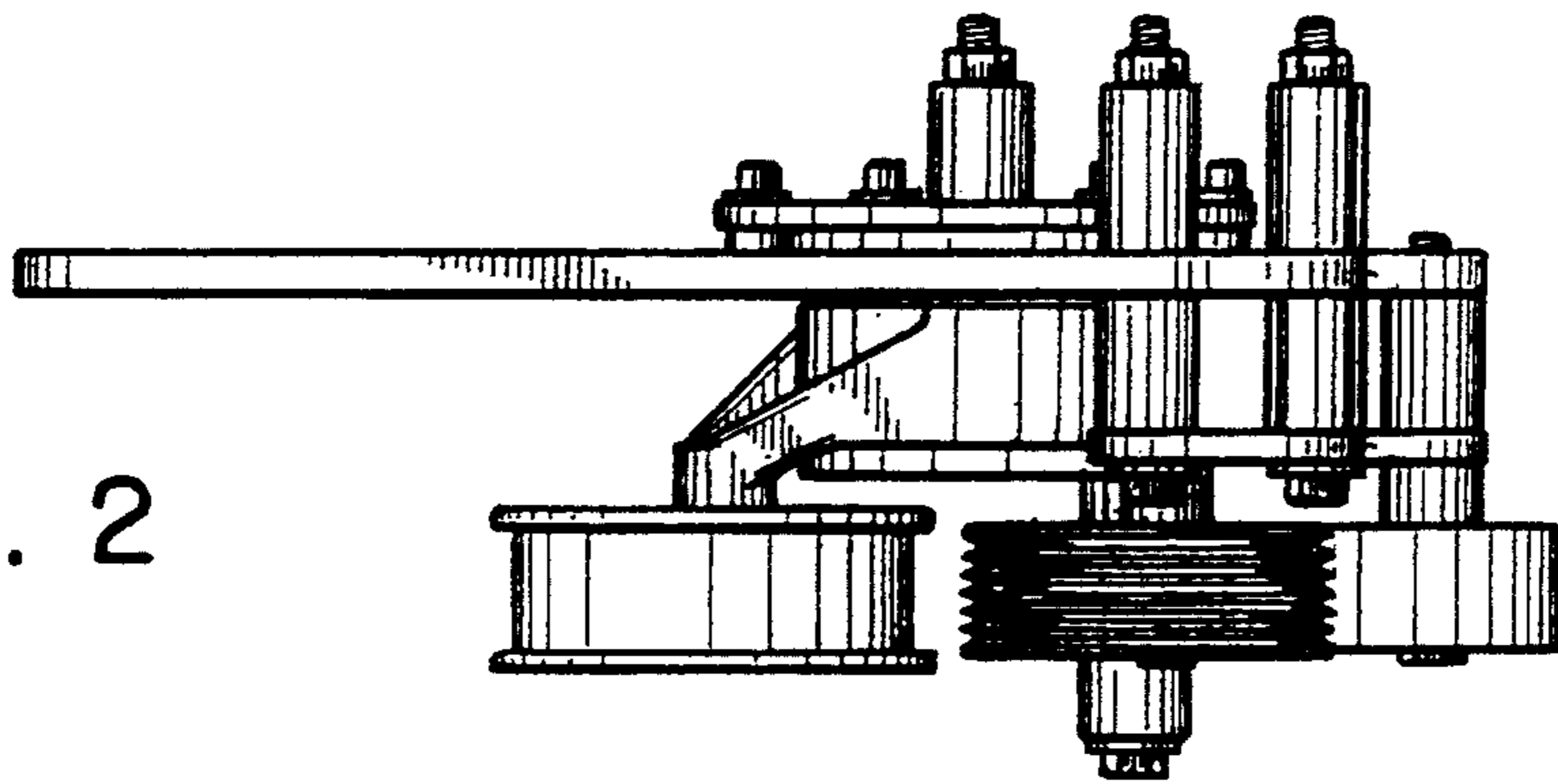


FIG. 3

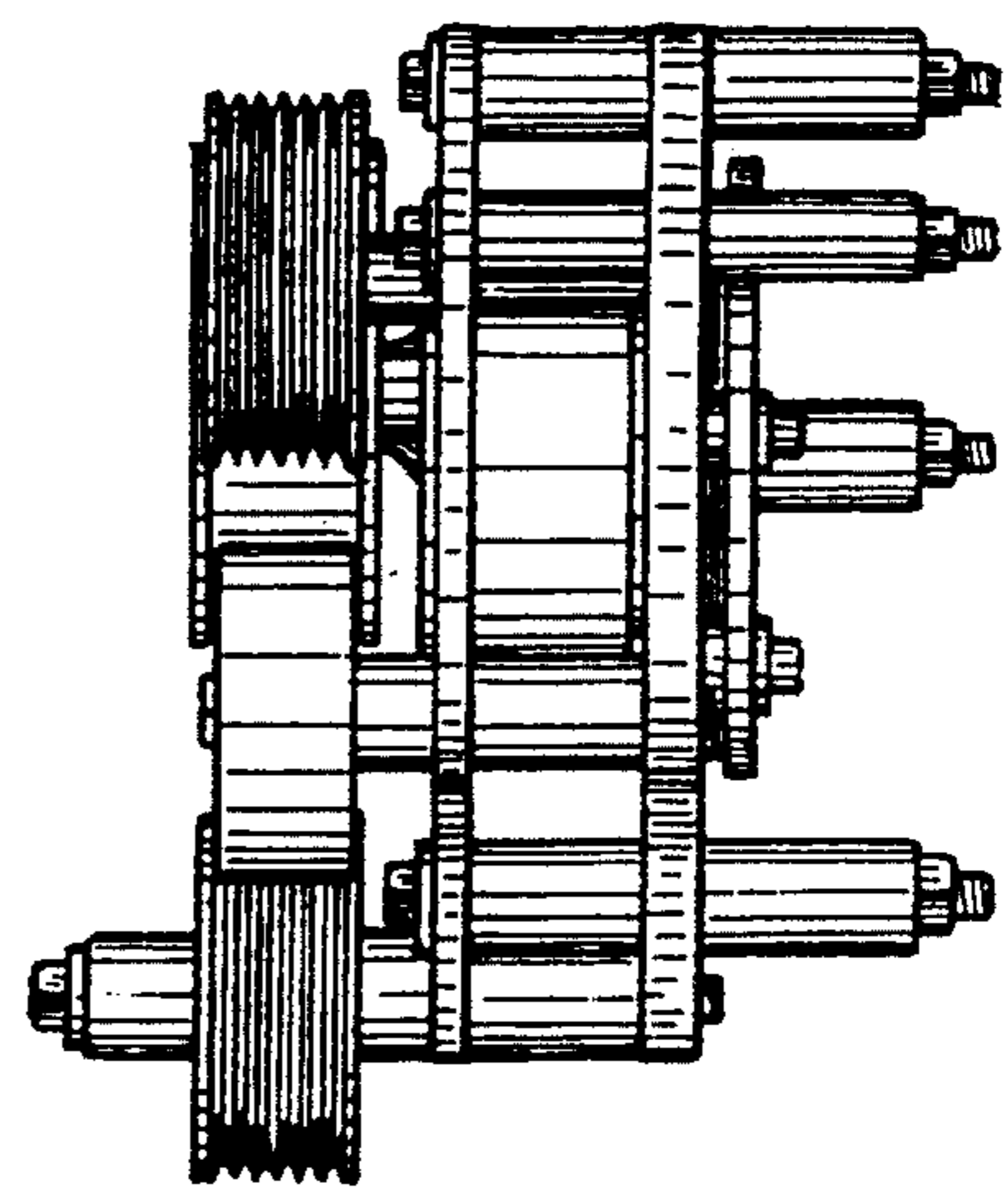


FIG. 4

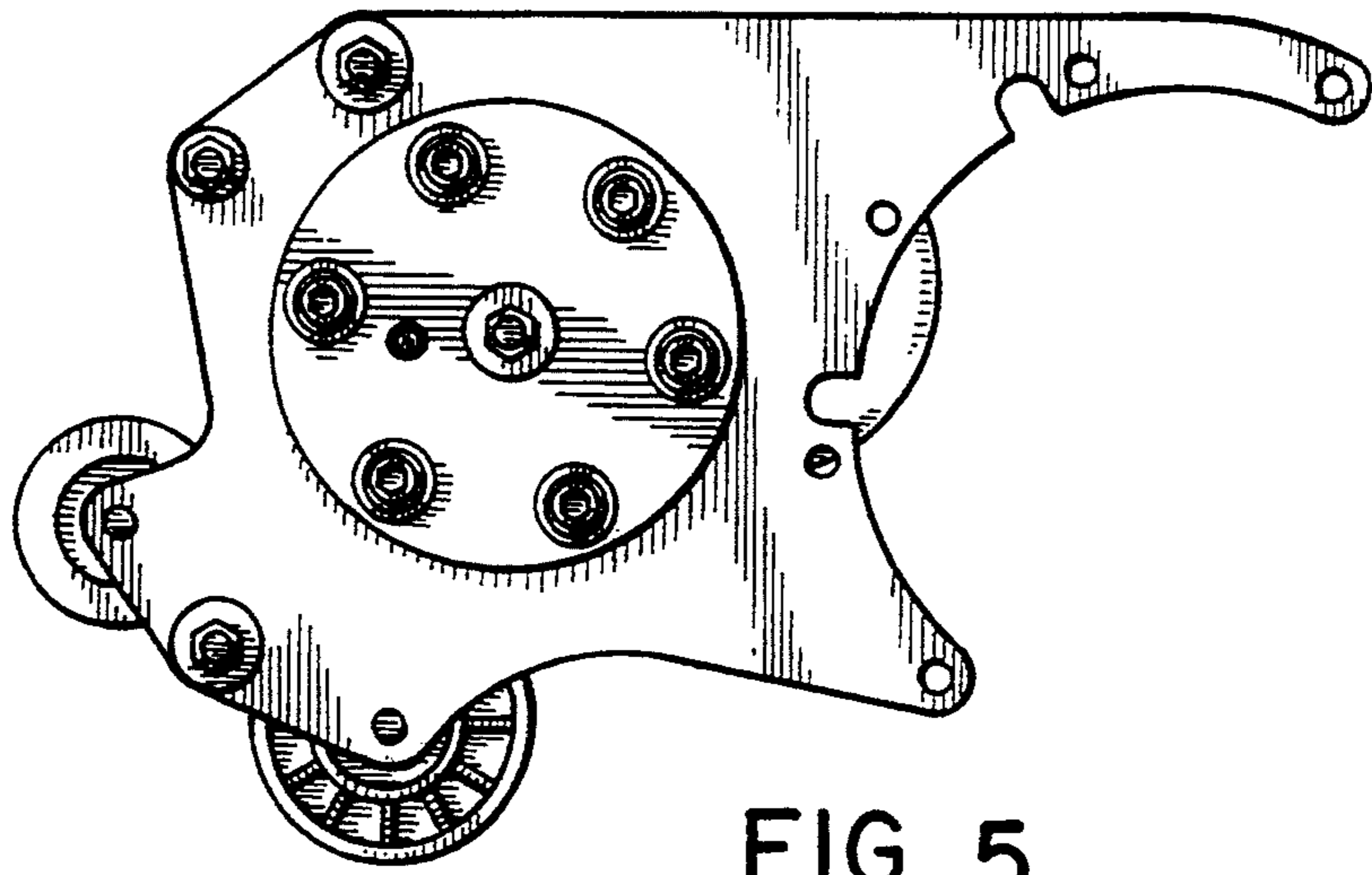


FIG. 5

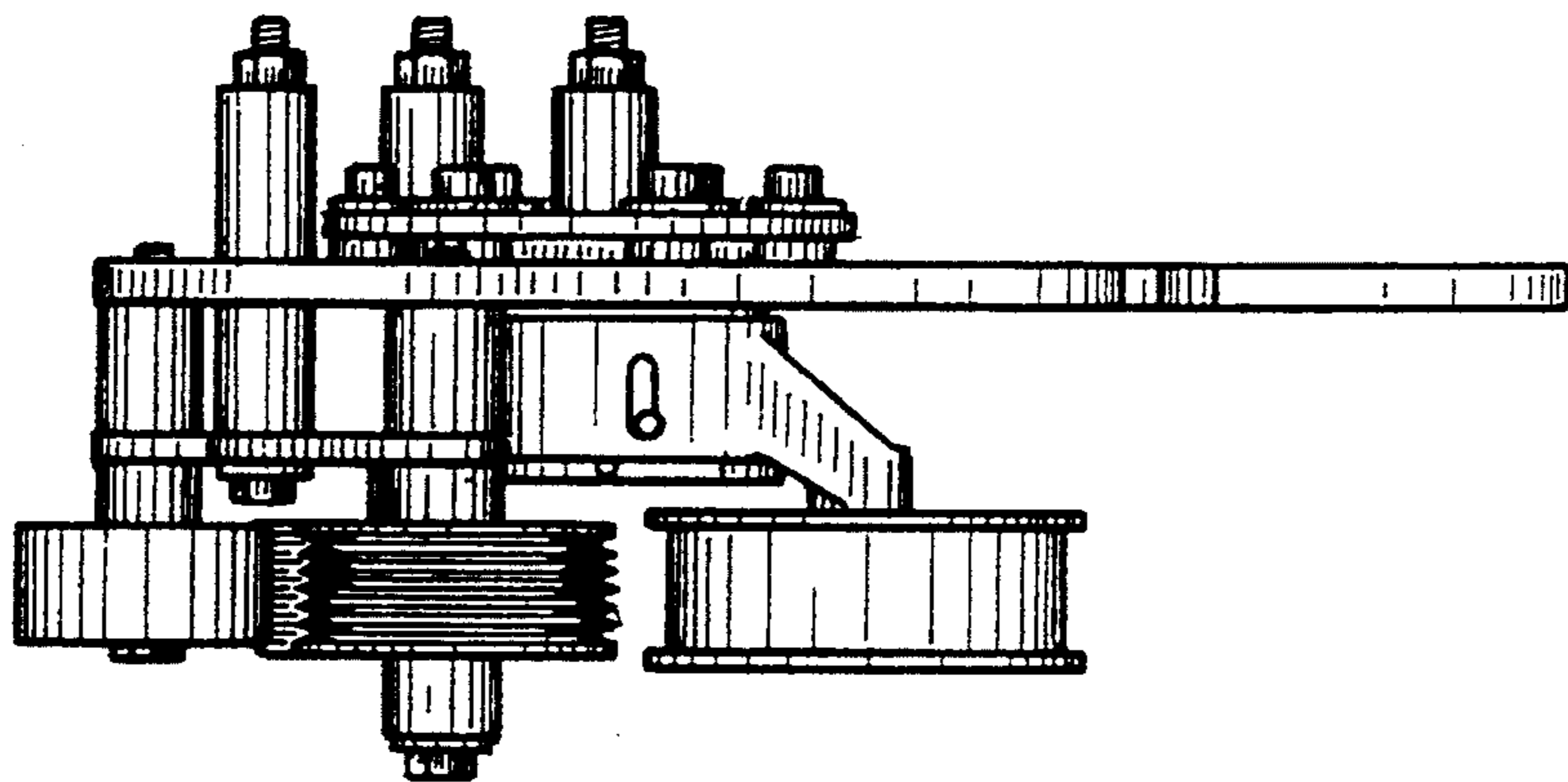


FIG. 6

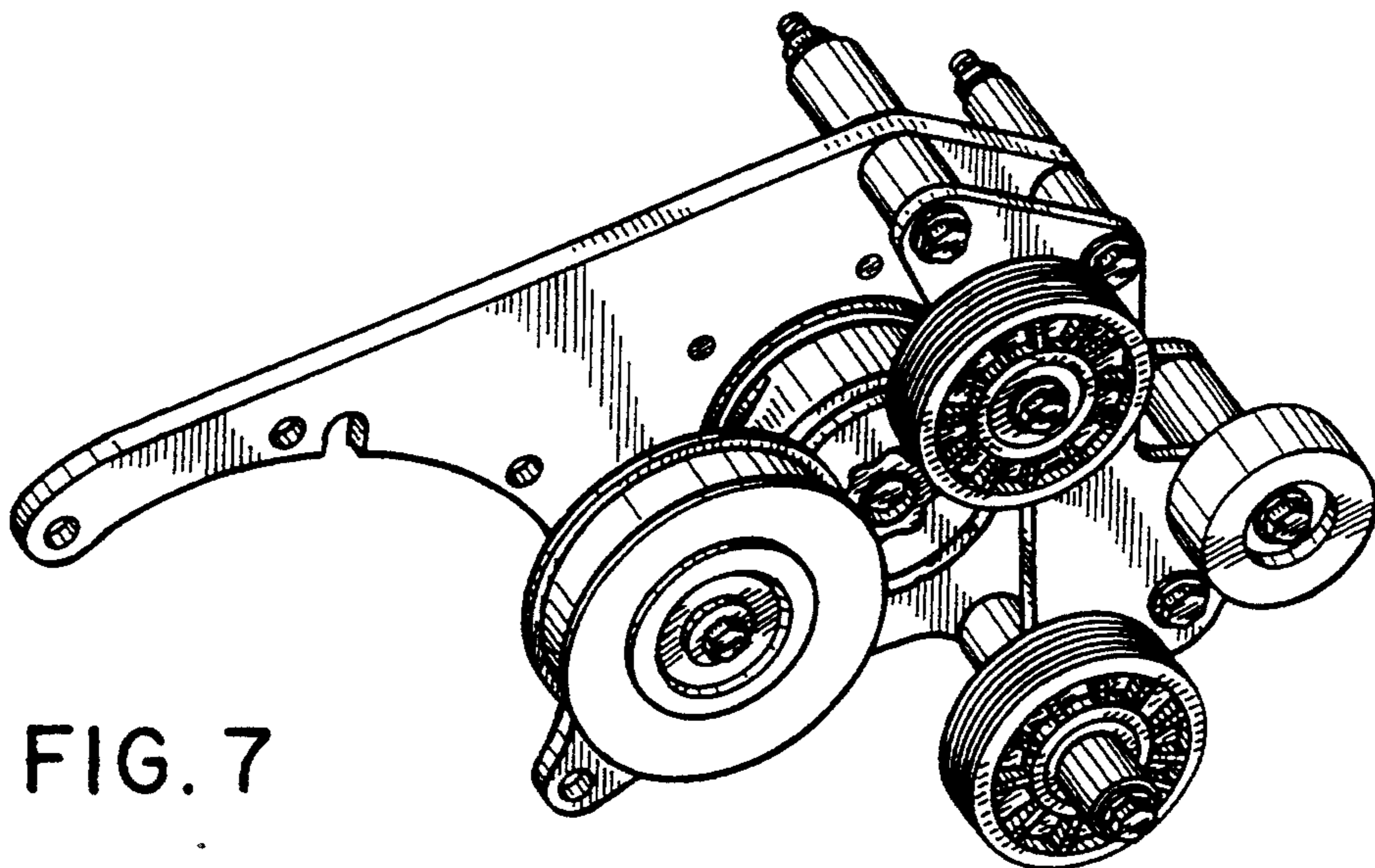


FIG. 7