



US00D355839S

United States Patent [19]

[11] Patent Number: **Des. 355,839**

Chieda

[45] Date of Patent: **** Feb. 28, 1995**

[54] PULL

[75] Inventor: **Robert Chieda, Wheaton, Ill.**

[73] Assignee: **Amerock Corporation, Rockford, Ill.**

[**] Term: **14 Years**

[21] Appl. No.: **11,367**

[22] Filed: **Aug. 3, 1993**

[52] U.S. Cl. **D8/317**

[58] Field of Search **D8/305, 315-320;**
16/110 R, 111 R, 124

[56] **References Cited**

U.S. PATENT DOCUMENTS

D. 189,526	1/1961	Clayton	D8/318
D. 196,036	8/1963	Louis	D8/319
D. 326,991	6/1992	Bishop	D8/317

OTHER PUBLICATIONS

Item No. N20891-0812 on p. 3 of a catalog published by Sechel (publication date unknown).

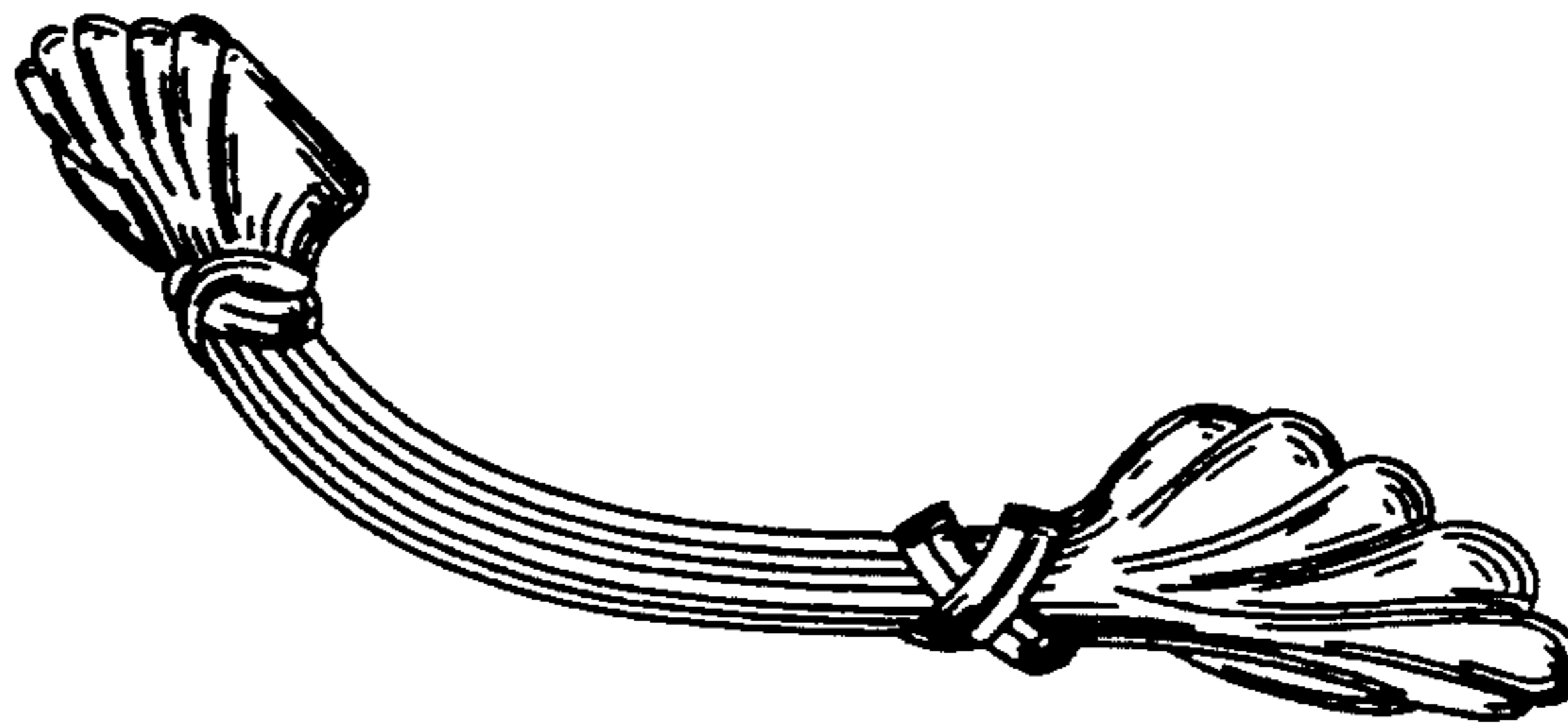
Primary Examiner—B. J. Bullock
Attorney, Agent, or Firm—Leydig, Voit & Mayer, Ltd.

[57] **CLAIM**

The ornamental design for a pull, as shown and described.

DESCRIPTION

FIG. 1 is a perspective view of a pull showing my new design;
FIG. 2 is an enlarged front view thereof;
FIG. 3 is an enlarged bottom view thereof, the top being a mirror image;
FIG. 4 is an enlarged rear view thereof;
FIG. 5 is an enlarged left end view thereof, both ends being identical; and,
FIG. 6 is an enlarged sectional view taken in the direction of the arrows on line 6—6 of FIG. 3.



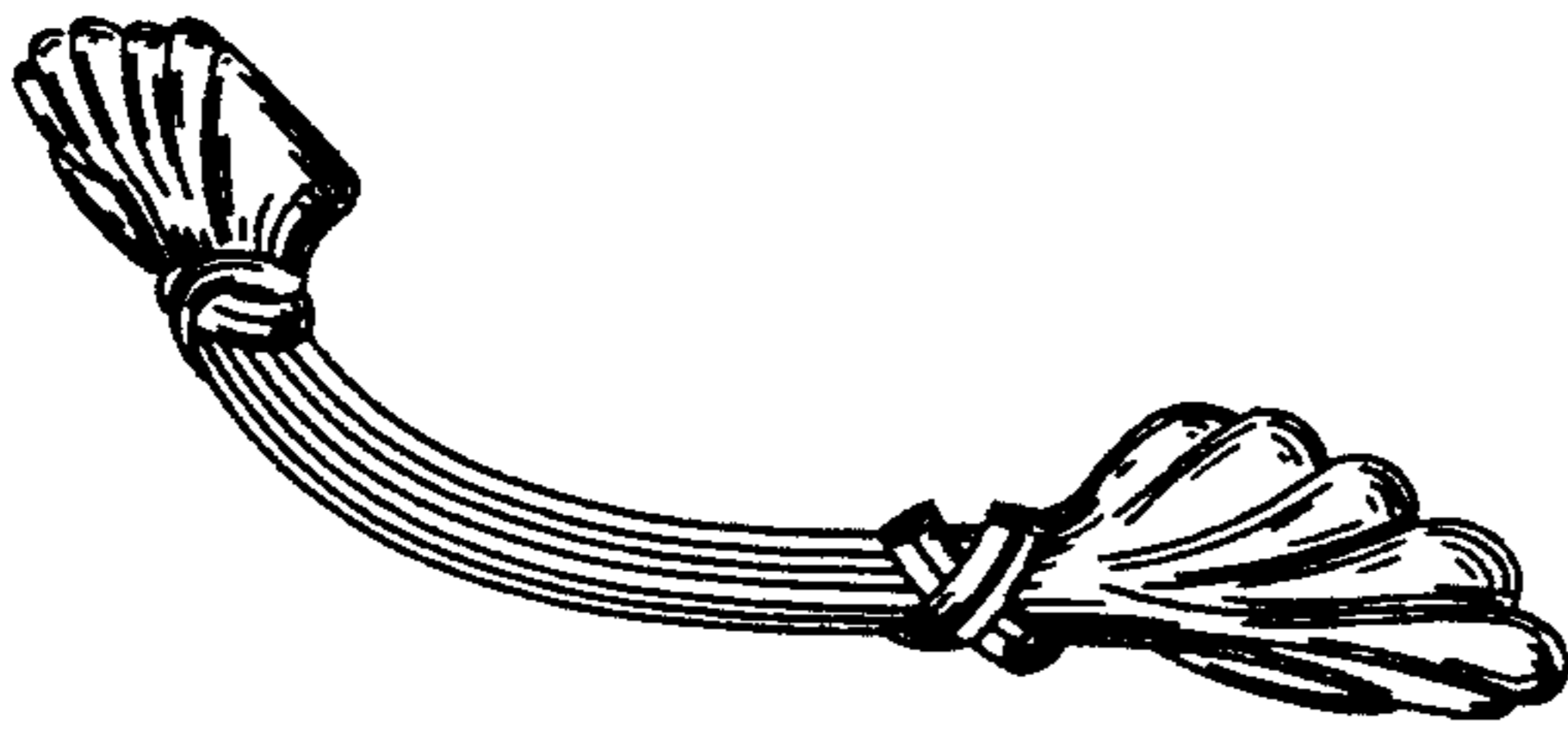


FIG. 1



FIG. 2

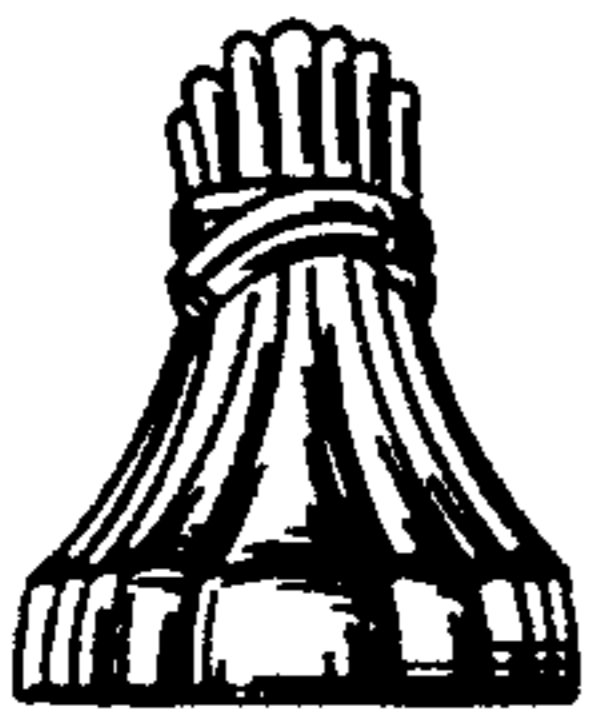


FIG. 5

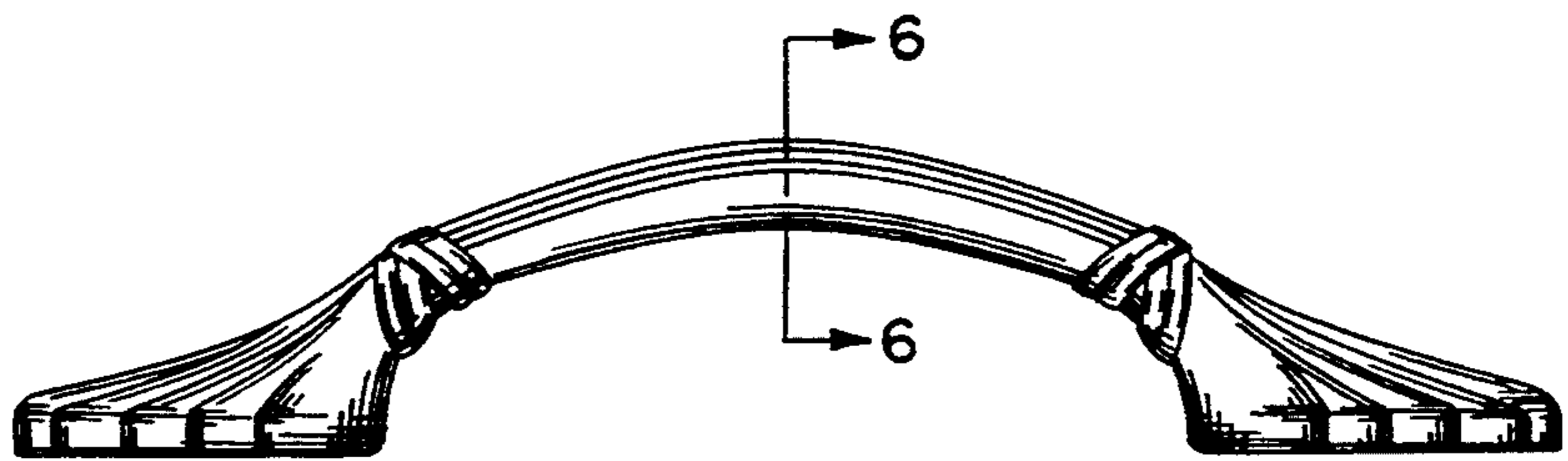


FIG. 3



FIG. 6

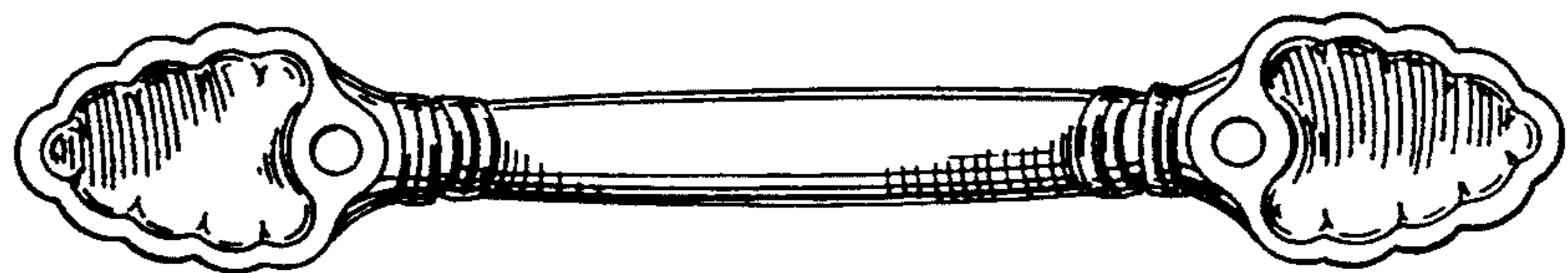


FIG. 4