



US00D355835S

United States Patent [19]

[11] Patent Number: **Des. 355,835**

Chieda

[45] Date of Patent: **** Feb. 28, 1995**

[54] PULL

[75] Inventor: **Robert Chieda, Wheaton, Ill.**

[73] Assignee: **Amerock Corporation, Rockford, Ill.**

[**] Term: **14 Years**

[21] Appl. No.: **11,363**

[22] Filed: **Aug. 3, 1993**

[52] U.S. Cl. **D8/305; D8/317**

[58] Field of Search **D8/305, 315-320; D11/63, 84, 115; 16/110 R, 111 R, 124**

[56] **References Cited**

U.S. PATENT DOCUMENTS

- D. 99,387 4/1936 Behnke D11/115
- D. 189,526 1/1961 Clayton D8/318
- D. 196,036 8/1963 Louis D8/319
- D. 326,991 6/1992 Bishop D8/317

OTHER PUBLICATIONS

Hardware Age; Feb. 12, 1959; p. 159; Ajax Hardware

Advertisement of Simulative Fruit and Vegetable Knobs.

Phylrich Cat.; ©1965; p. 45; Fruit and Vegetable--Shaped Knobs.

Phylrich Cat.; ©1965; p. 576-V; Knobs.

Primary Examiner—B. J. Bullock

Attorney, Agent, or Firm—Leydig, Voit & Mayer, Ltd.

[57] **CLAIM**

The ornamental design for a pull, as shown and described.

DESCRIPTION

FIG. 1 is a perspective view of a pull showing my new design;

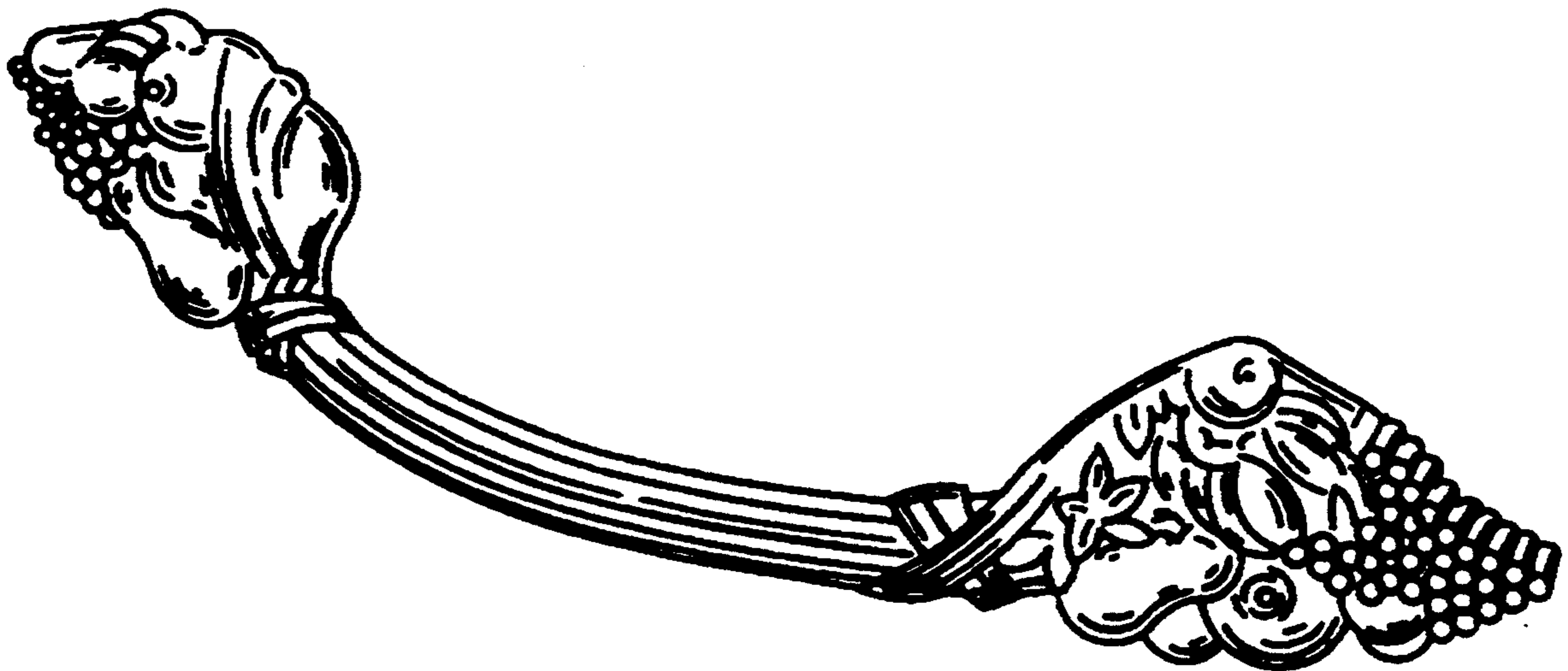
FIG. 2 is an enlarged front view thereof;

FIG. 3 is an enlarged bottom view thereof, the top being substantially a mirror image;

FIG. 4 is an enlarged rear view thereof;

FIG. 5 is an enlarged left end view thereof, the right end being substantially a mirror image; and,

FIG. 6 is an enlarged sectional view taken in the direction of the arrows on line 6—6 of FIG. 3.



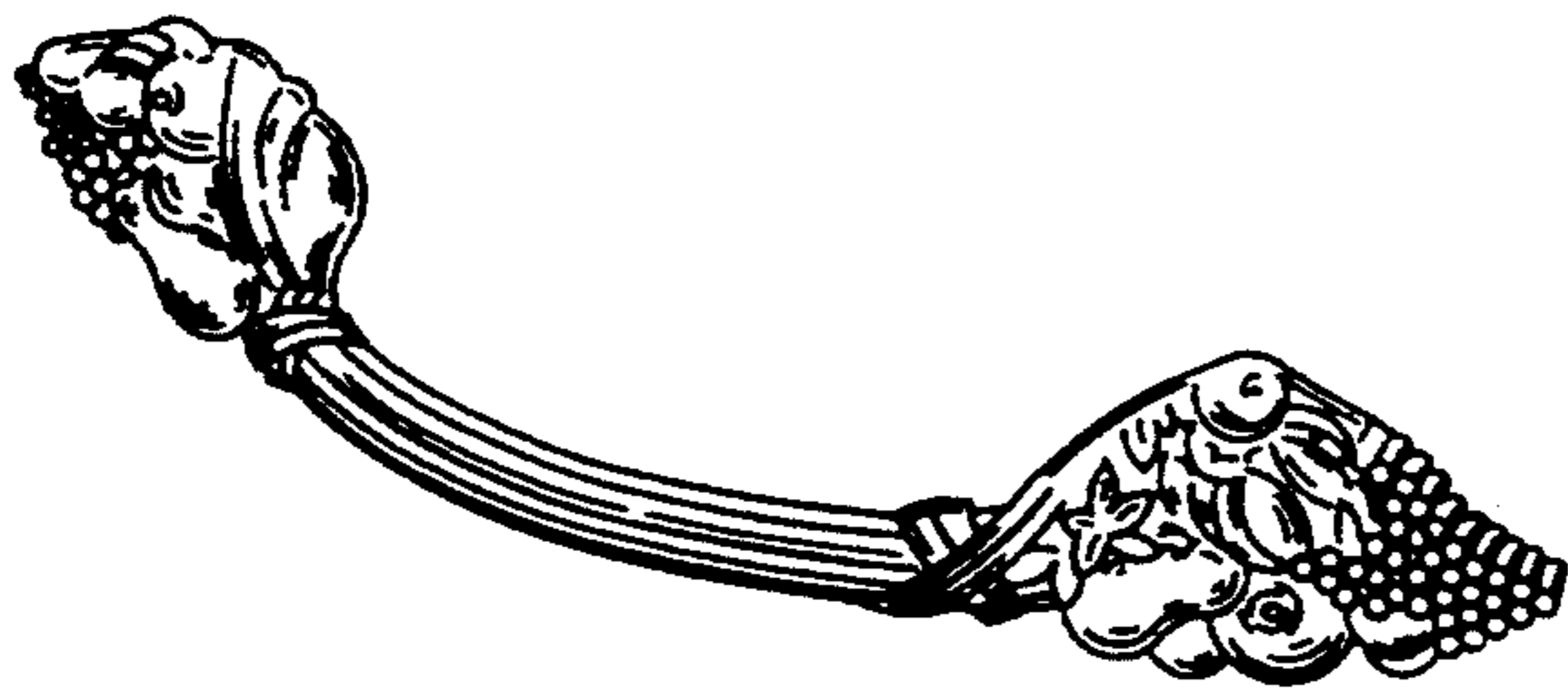


FIG. 1

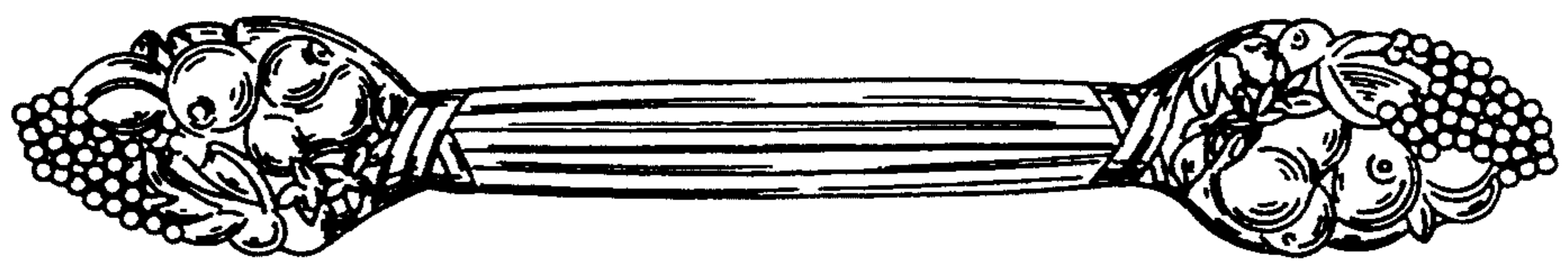


FIG. 2



FIG. 5

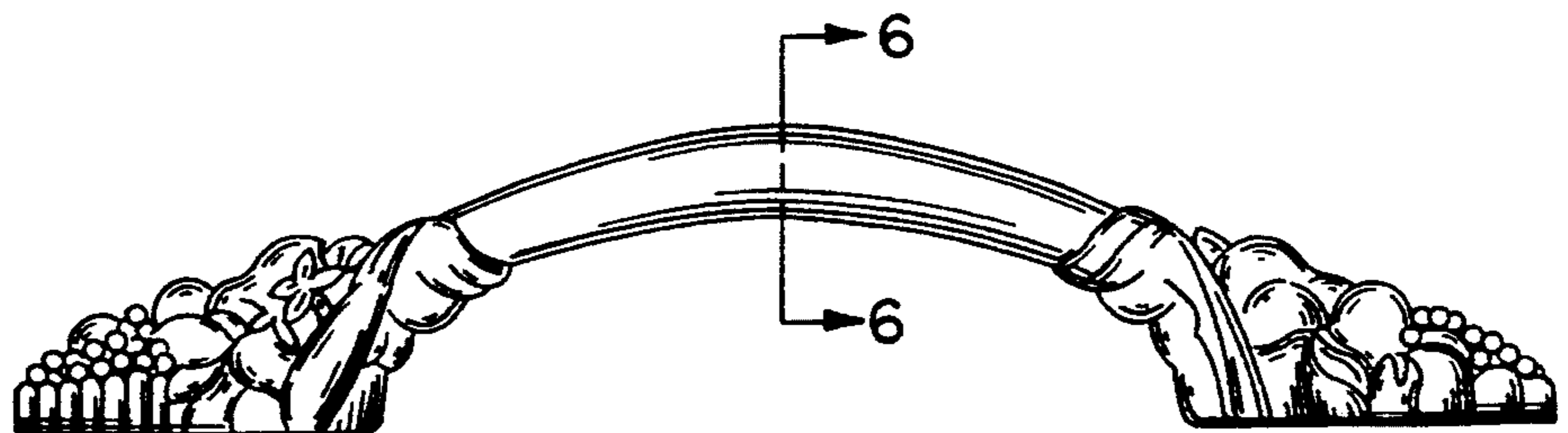


FIG. 3



FIG. 6

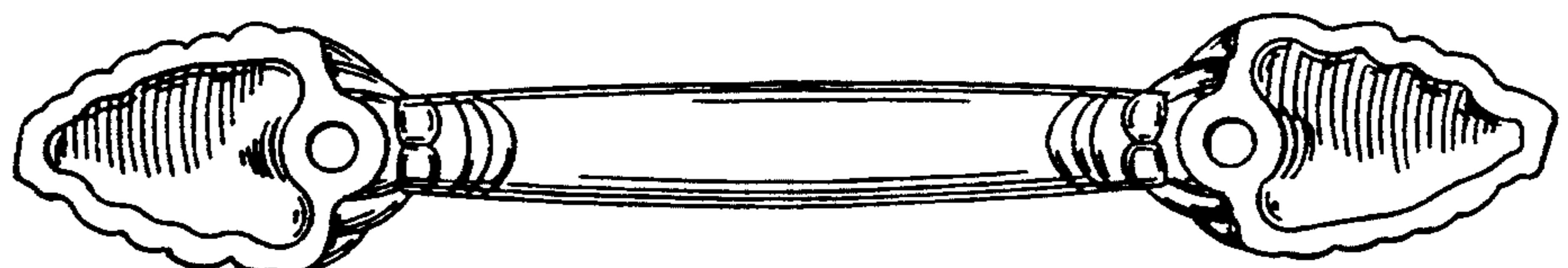


FIG. 4