



US00D355833S

**United States Patent** [19]  
**Seaquist**

[11] **Patent Number: Des. 355,833**  
[45] **Date of Patent: \*\* Feb. 28, 1995**

[54] **CASTER PAD**  
[76] **Inventor: Lyn Seaquist, 25472 Calle Jardin, San Juan Capistrano, Calif. 92675**  
[\*\*] **Term: 14 Years**  
[21] **Appl. No.: 7,124**  
[22] **Filed: Apr. 14, 1993**  
[52] **U.S. Cl. .... D8/374**  
[58] **Field of Search ..... D8/374; D11/216; 16/42 R; 248/346.1**

1,827,972 10/1931 Darnell ..... 16/42 R

**OTHER PUBLICATIONS**

Flyer with Quick Change Caster Pad.  
Flyer with Caster Pad by Hercules Jul. 10, 1992.

*Primary Examiner*—Wallace R. Burke  
*Assistant Examiner*—H. Baynham  
*Attorney, Agent, or Firm*—Stetina Brunda & Buyan

[56] **References Cited**

**U.S. PATENT DOCUMENTS**

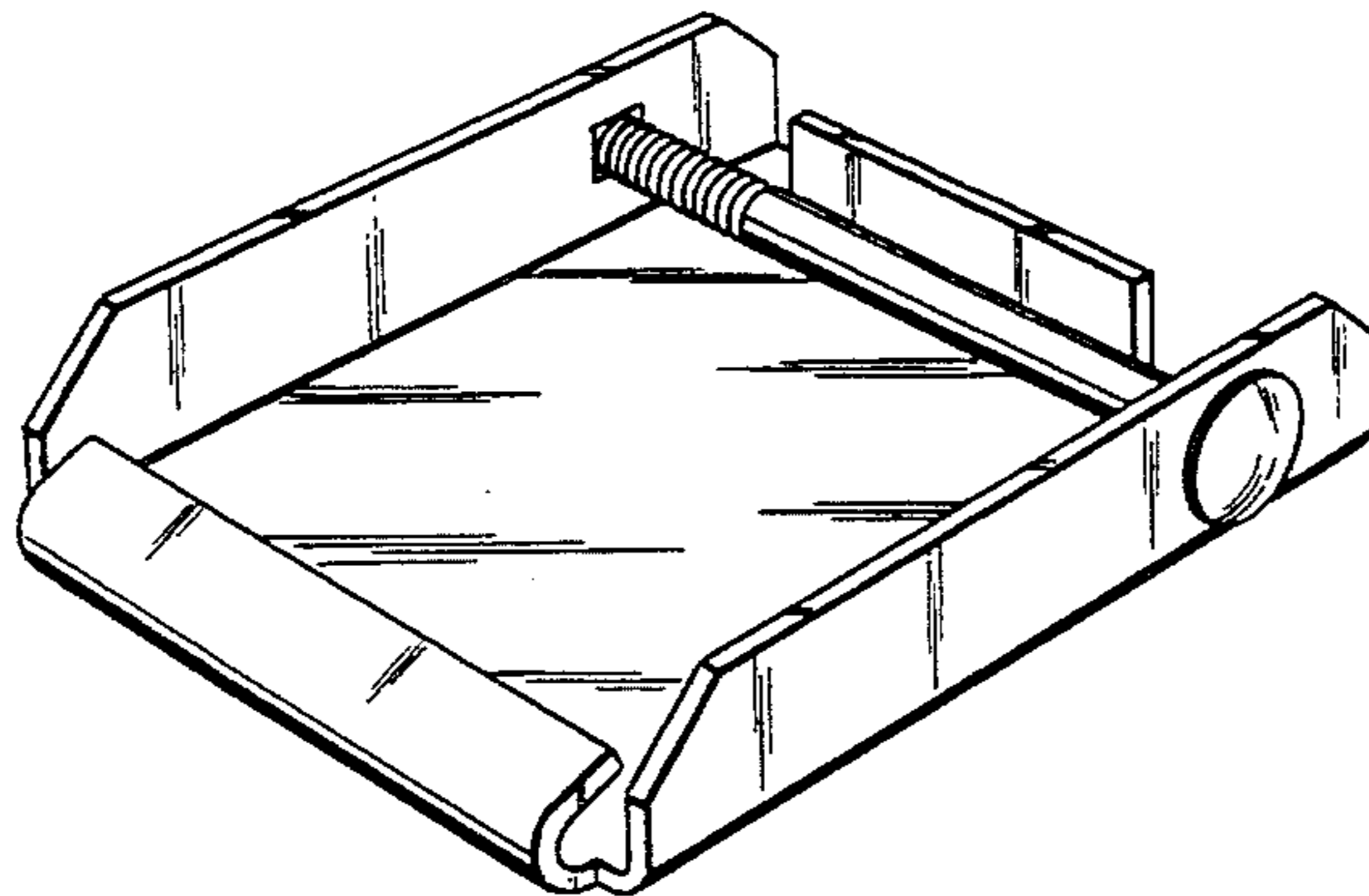
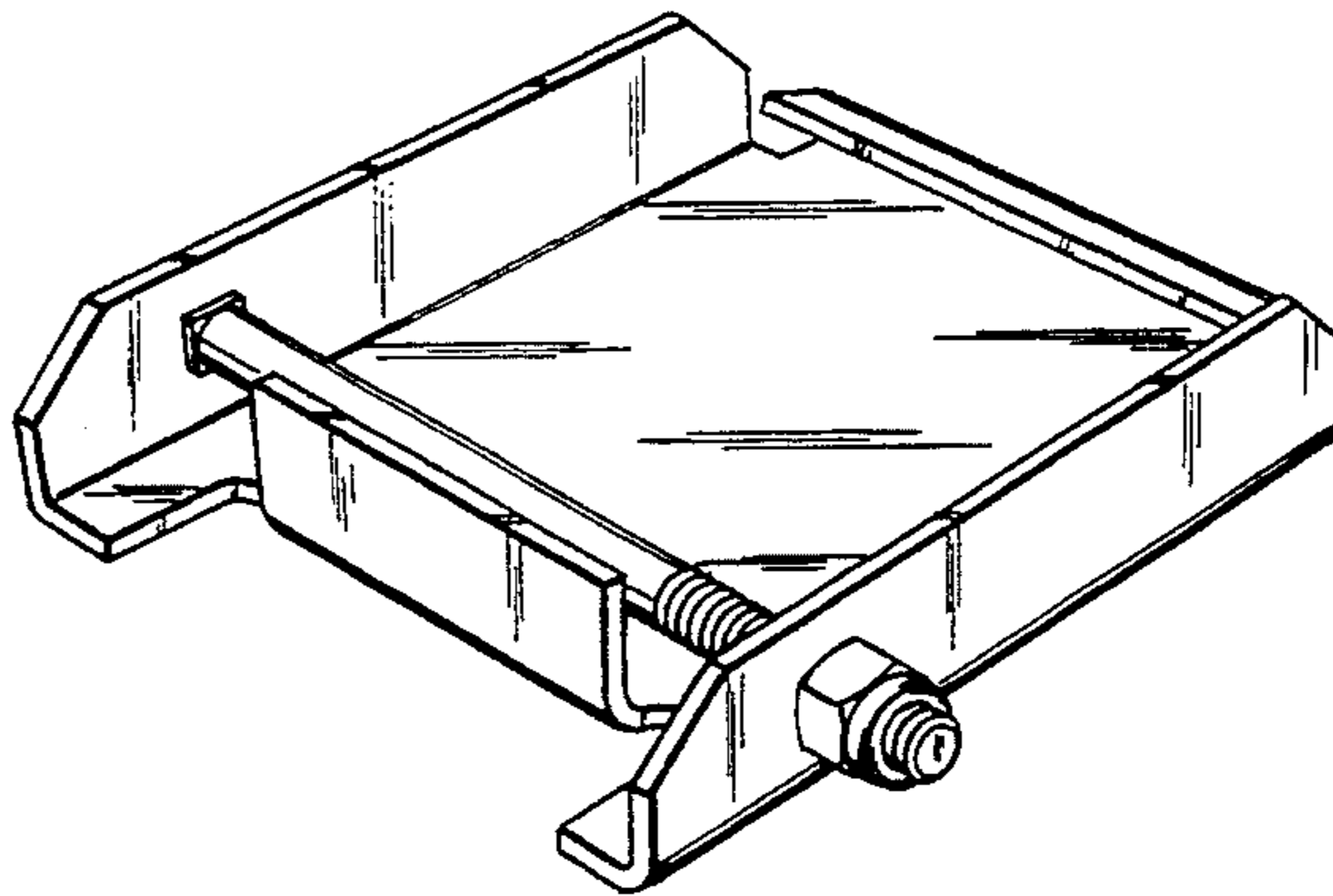
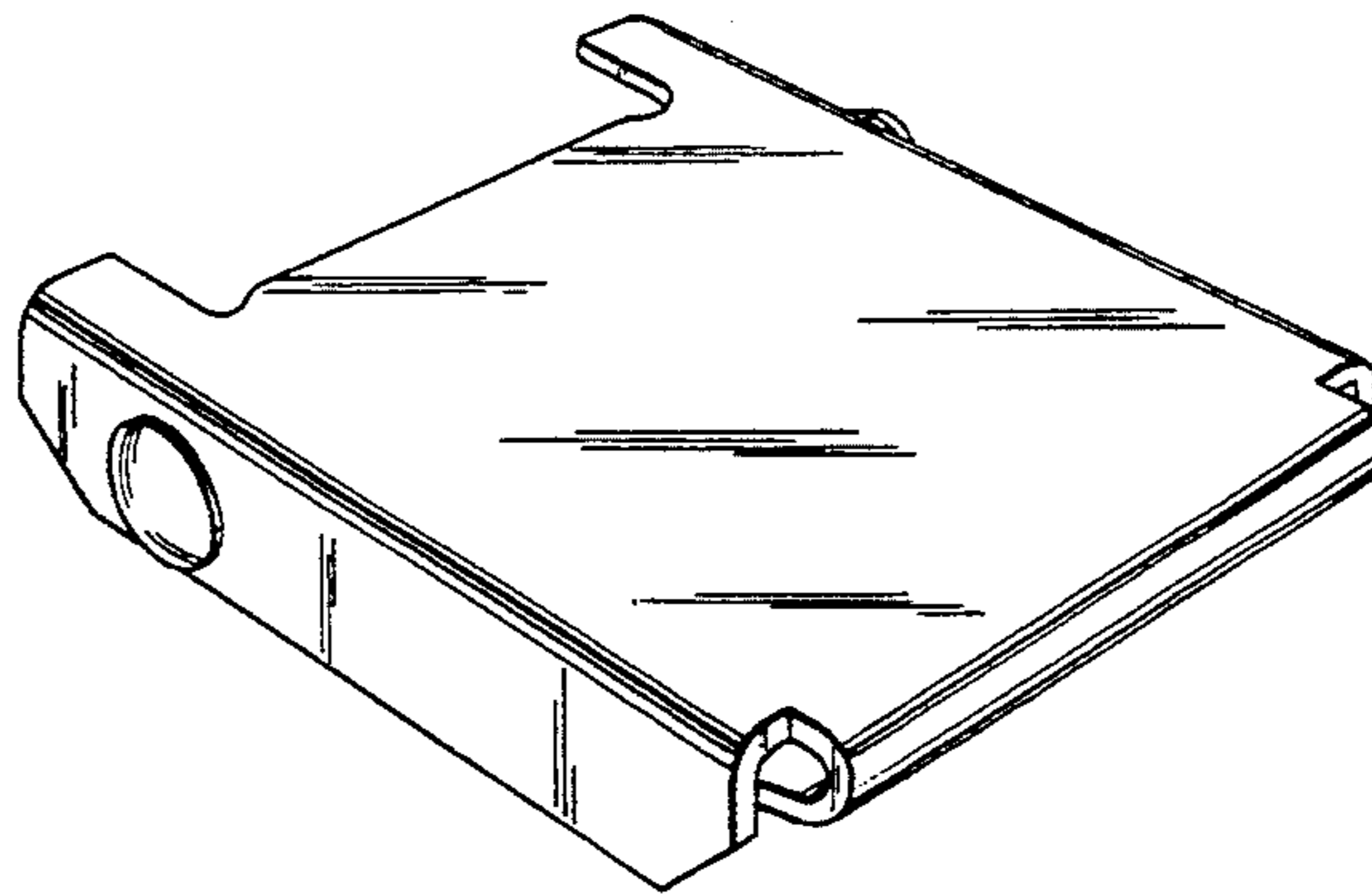
D. 184,029 12/1958 Schaefer ..... D8/374  
D. 200,772 4/1965 Dahms ..... D11/216  
D. 215,195 9/1969 Kregel et al. .... D11/216  
D. 302,140 6/1989 Johnston ..... D11/216

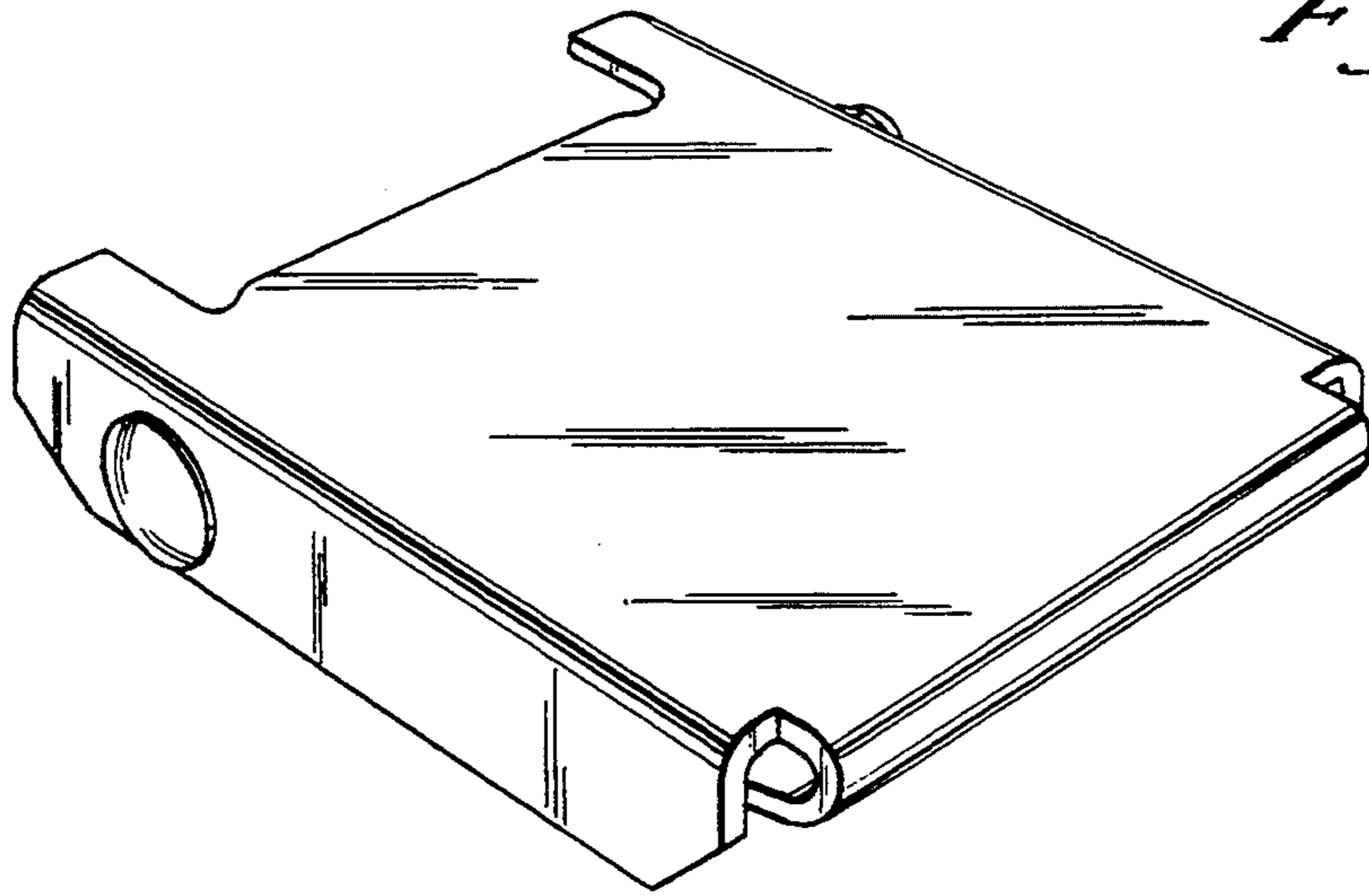
[57] **CLAIM**

The ornamental design for an caster pad, as shown and described.

**DESCRIPTION**

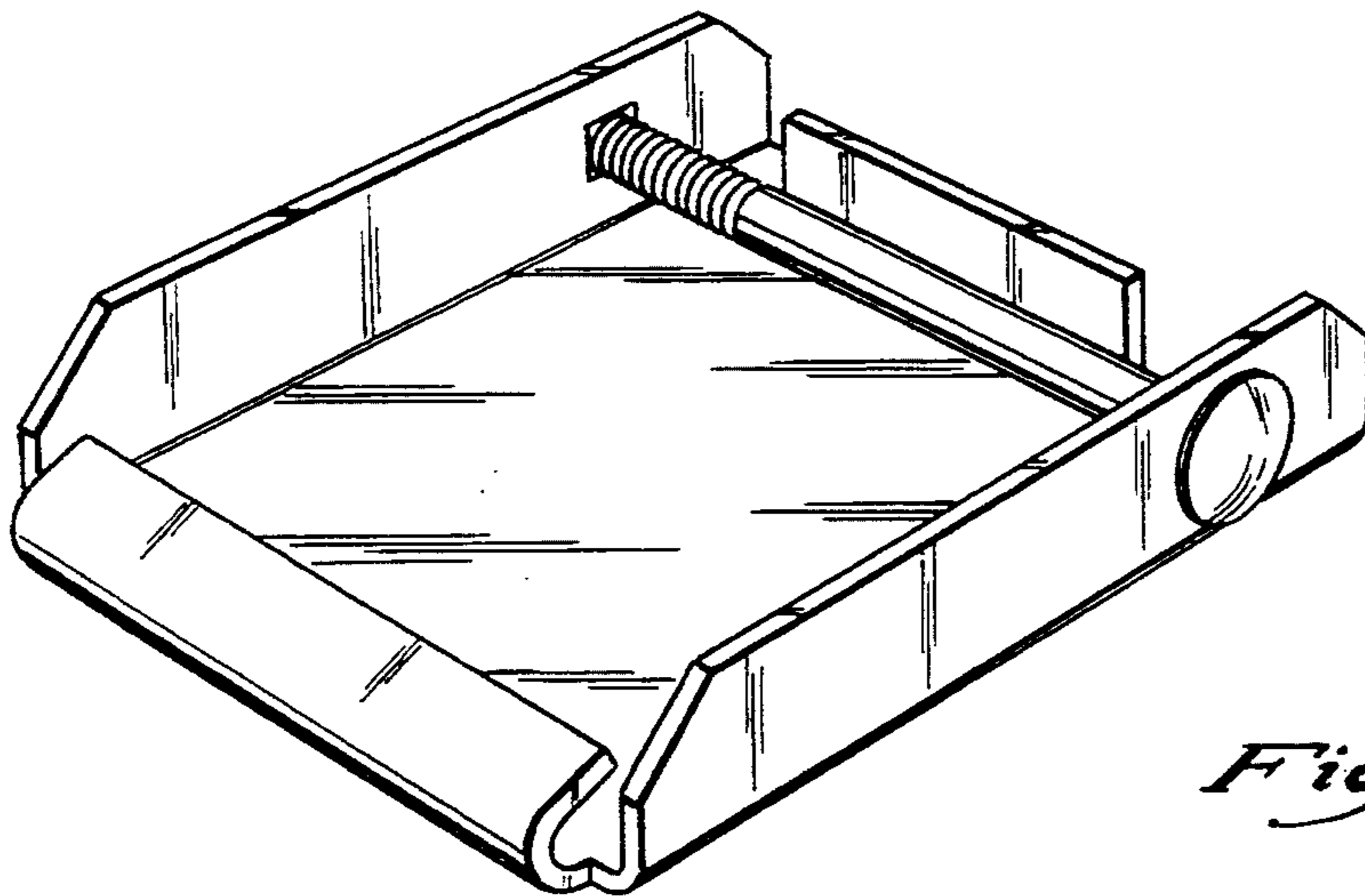
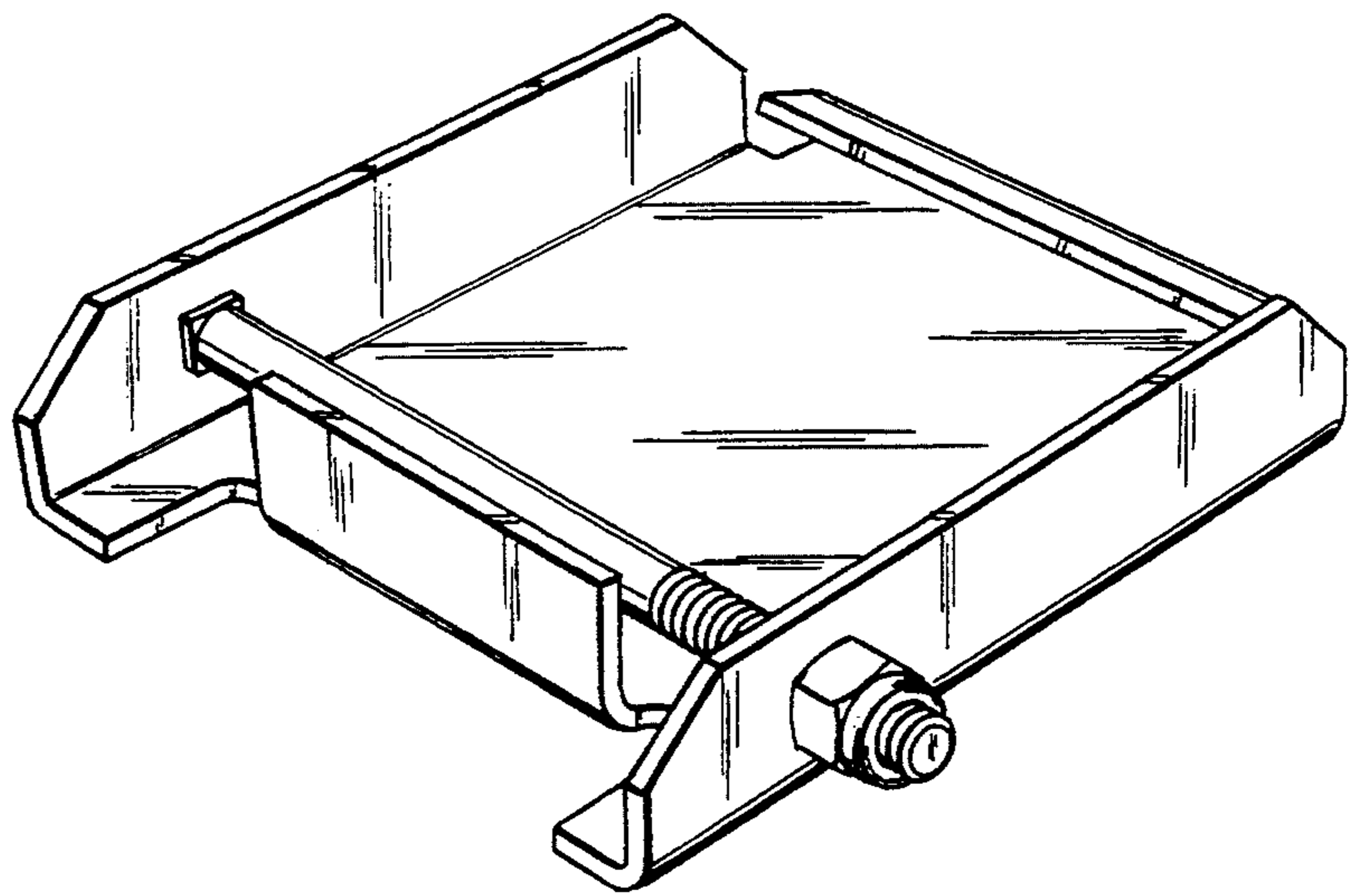
FIG. 1 is a top perspective view of the caster pad of the present invention showing my new design; FIG. 2 is a bottom rear perspective view thereof; and, FIG. 3 is a bottom front perspective view thereof.





*Fig. 1*

*Fig. 2*



*Fig. 3*