



US00D355832S

United States Patent [19]

[11] Patent Number: **Des. 355,832**

Downey

[45] Date of Patent: **** Feb. 28, 1995**

[54] **EXTENSION HANDLE FOR A TRACK SWITCH TOOL**

| | | | |
|-----------|---------|------------------|-----------|
| 3,999,730 | 12/1976 | Gonsalves et al. | 104/130 X |
| 4,104,935 | 8/1978 | Stoops | 81/177.2 |
| 4,644,600 | 2/1987 | Fugate | 81/177.2 |
| 4,960,014 | 10/1990 | Kelley | 81/177.2 |

[76] Inventor: **James R. Downey**, P.O. Box 21, Farmersville, Ill. 62533

Primary Examiner—Bernard Ansher
Assistant Examiner—Philip Hyder
Attorney, Agent, or Firm—Richard C. Litman

[**] Term: **14 Years**

[21] Appl. No.: **9,024**

[57] **CLAIM**

[22] Filed: **Jun. 3, 1993**

The ornamental design for a extension handle for a track switch tool, as shown and described.

[52] U.S. Cl. **D8/107; D8/14**

[58] Field of Search **D8/14, 107; 81/177.1, 81/177.2, 489; 294/19.1, 15, 92**

DESCRIPTION

[56] **References Cited**

U.S. PATENT DOCUMENTS

| | | | |
|------------|---------|-----------|----------|
| D. 272,980 | 3/1984 | Kapphahn | D8/14 |
| D. 305,859 | 2/1990 | White | D8/14 |
| 324,104 | 8/1885 | Goodson | 81/177.2 |
| 1,463,077 | 7/1923 | Gandell | 81/177.2 |
| 1,511,738 | 10/1924 | Lownsbery | 81/177.2 |
| 1,643,027 | 9/1927 | Morgan | 81/177.1 |
| 1,689,639 | 10/1928 | Neff | 81/177.2 |
| 2,652,736 | 9/1953 | Kiene | 81/177.2 |
| 3,657,944 | 4/1972 | Able | 81/177.2 |
| 3,843,981 | 10/1974 | Verest | 81/177.2 |

FIG. 1 is a front, left side and top perspective view of an extension handle for a track switch tool showing my new design;

FIG. 2 is a front elevational view thereof;

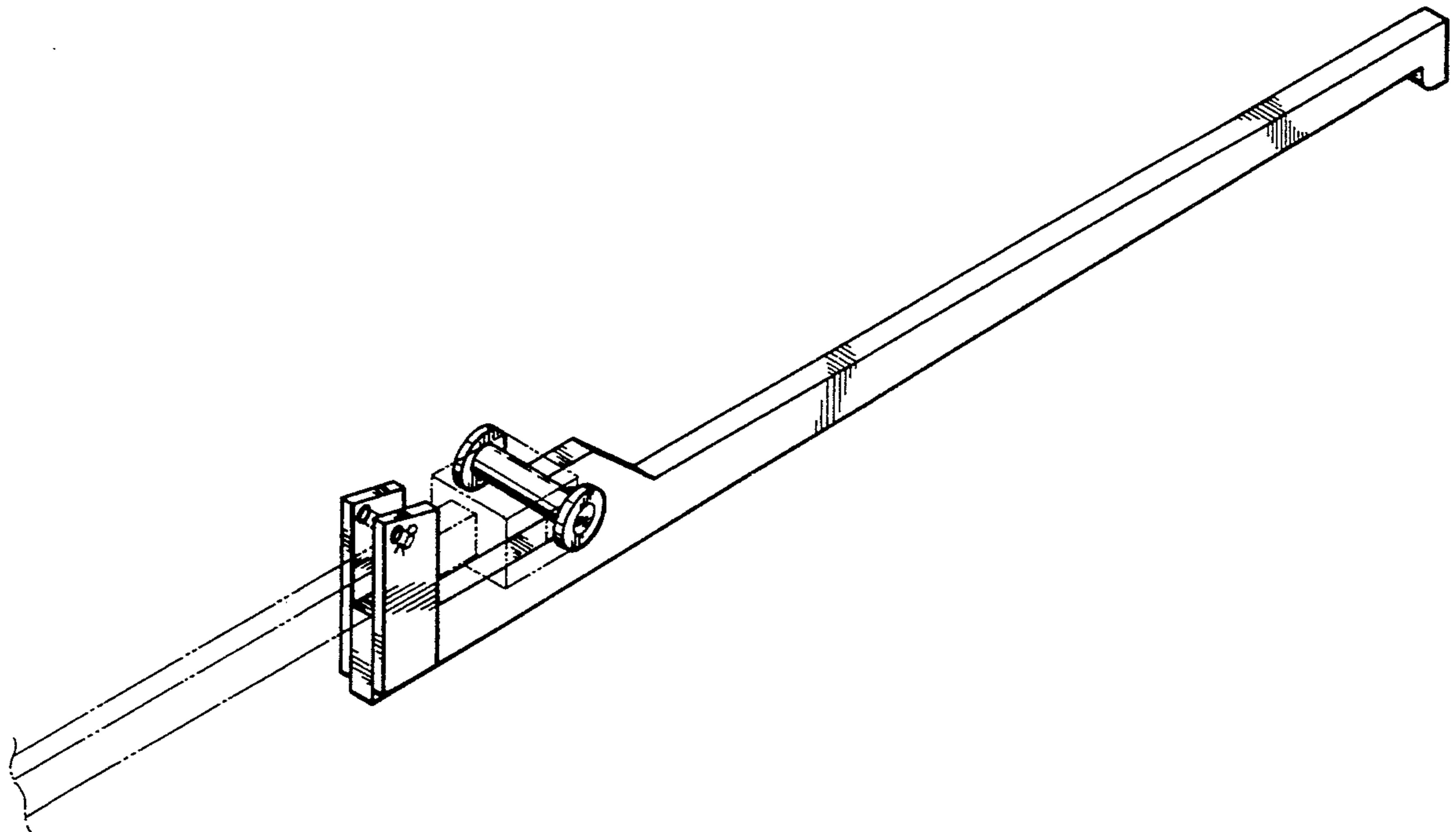
FIG. 3 is a rear elevational view thereof;

FIG. 4 is a top plan view thereof;

FIG. 5 is a left side view thereof, the right side being a mirror image; and,

FIG. 6 is a bottom plan view thereof.

The broken line showing of a railroad switch arm and a retainer pin in FIG. 1 is for illustrative purposes only and forms no part of the claimed design.



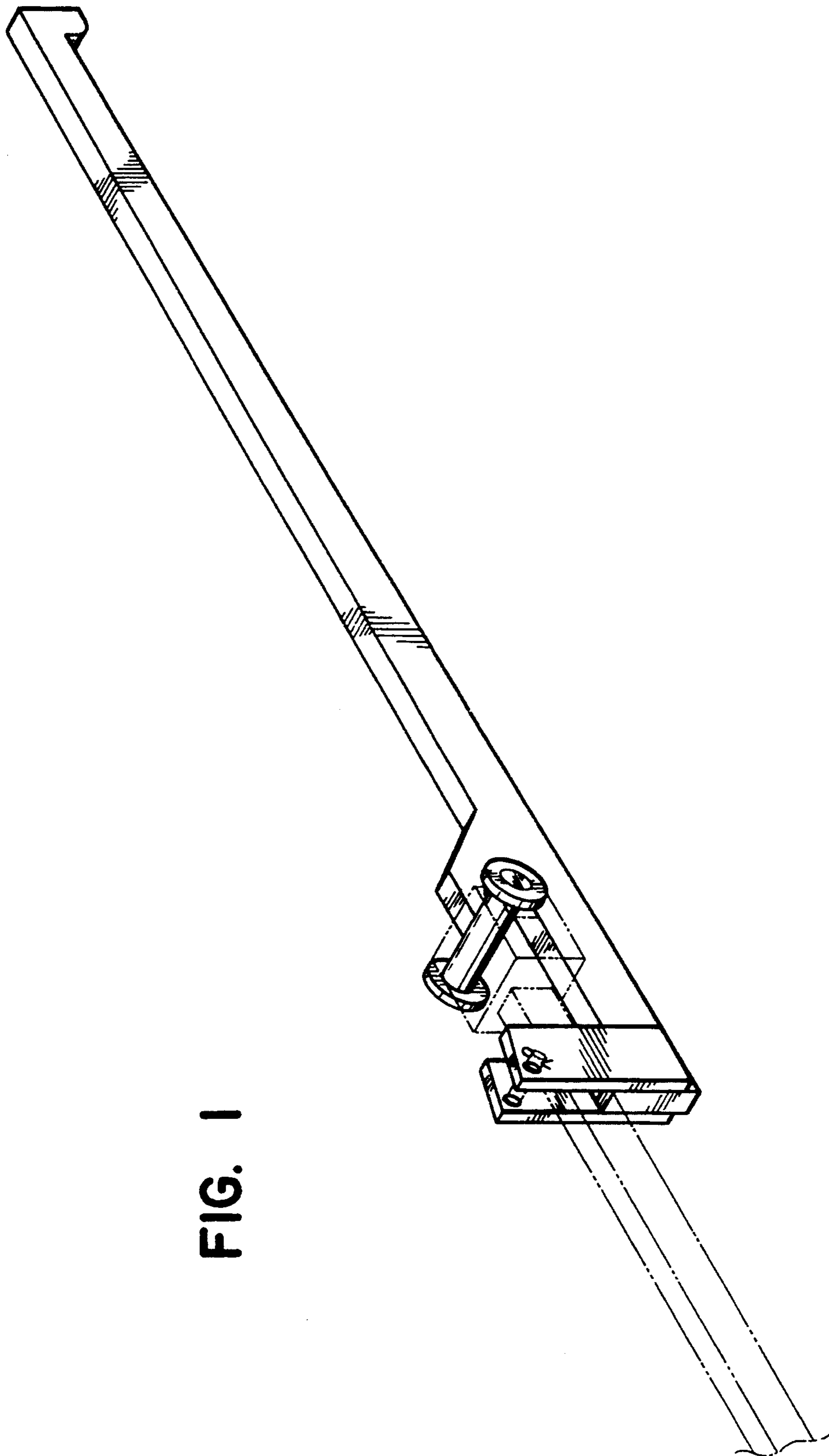


FIG. 1

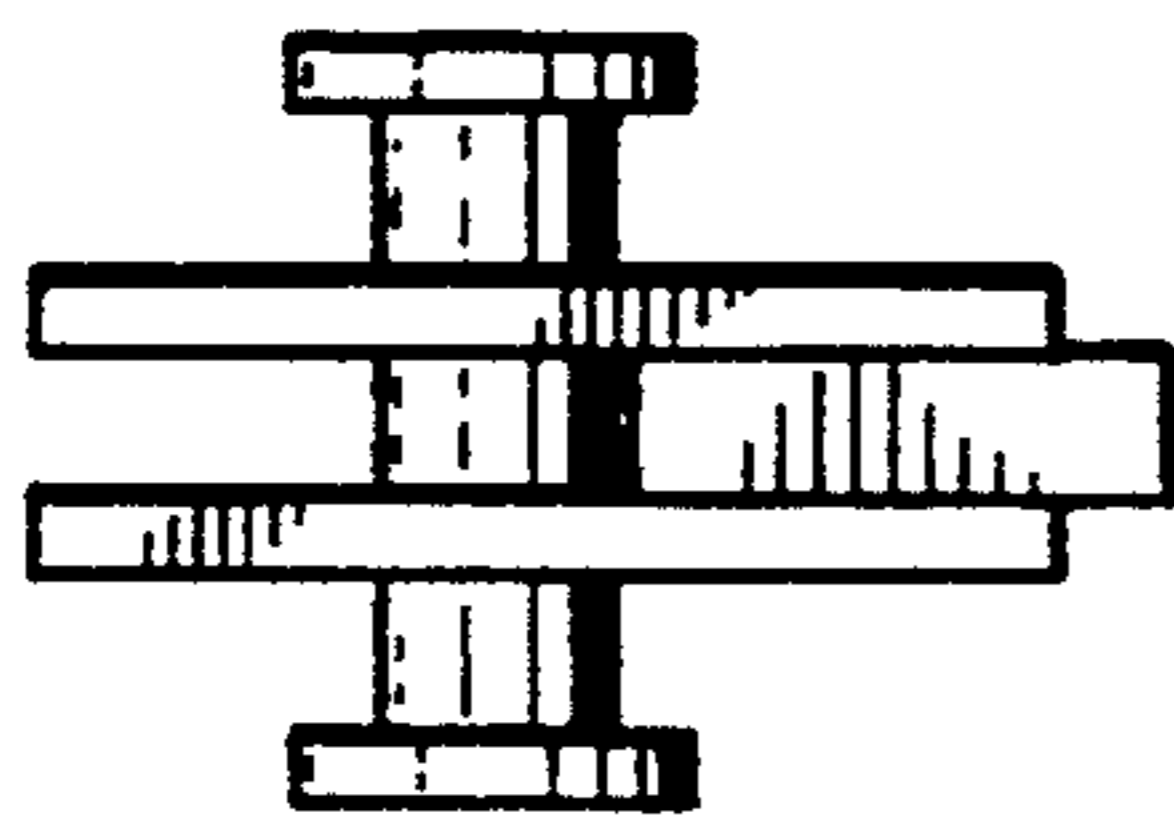


FIG. 2

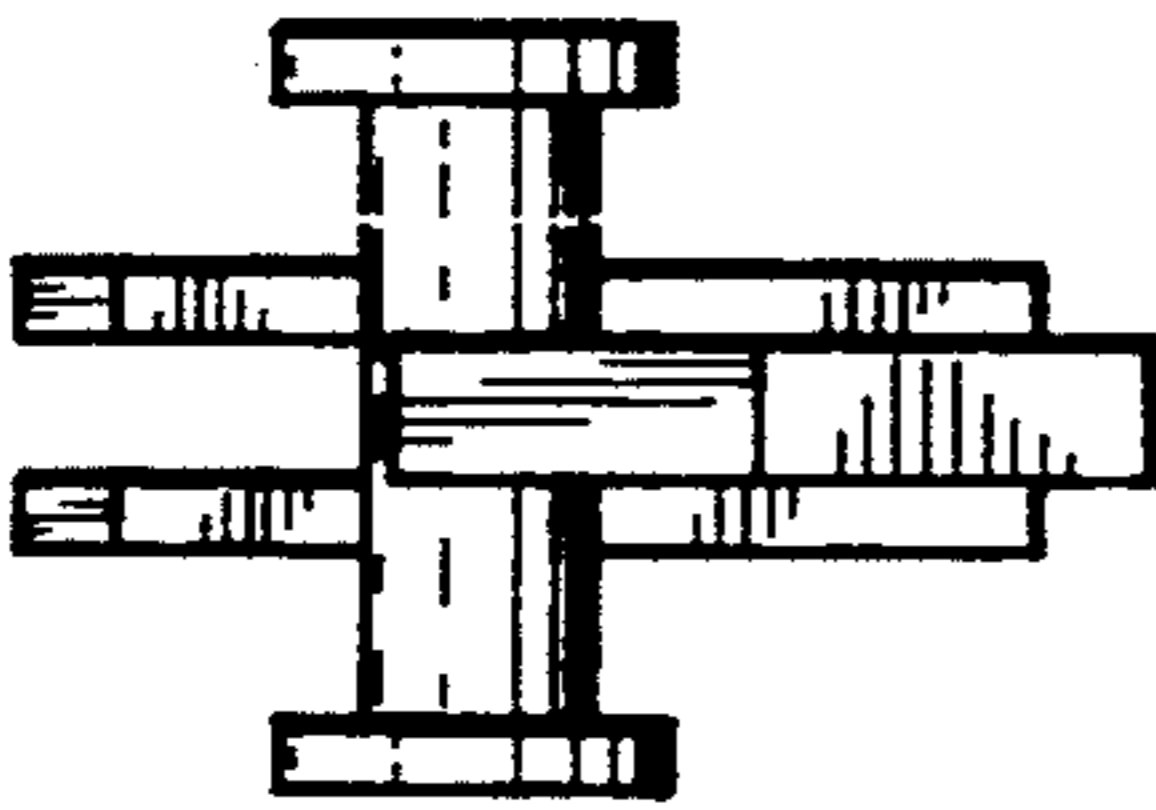


FIG. 3

FIG. 4

