



US00D355825S

# United States Patent [19]

[11] Patent Number: **Des. 355,825**

Moyer

[45] Date of Patent: **\*\* Feb. 28, 1995**

[54] **TOOL FOR RESTORING CURVATURE TO ITEMS OF SHEET METAL CONSTRUCTION**

4,386,461	6/1983	Plummer .....	81/420
4,386,542	6/1983	Verna .....	81/420
4,386,543	6/1983	Walker, Jr. ....	81/420
4,747,588	5/1988	Dillhoff .....	81/418

[76] Inventor: **Thomas E. Moyer**, R.R. 5, Box 933, Altoona, Pa. 16601

*Primary Examiner*—Theodore M. Shooman  
*Assistant Examiner*—Philip Hyder  
*Attorney, Agent, or Firm*—David L. Baker

[\*\*] Term: **14 Years**

[21] Appl. No.: **10,102**

[57] **CLAIM**

[22] Filed: **Jun. 29, 1993**

The ornamental design for a tool for restoring curvature to items of sheet metal construction, as shown.

[52] U.S. Cl. .... **D8/52**

[58] Field of Search ..... D8/14, 51, 52; 81/367, 81/368, 418, 419, 420, 426, 426.5

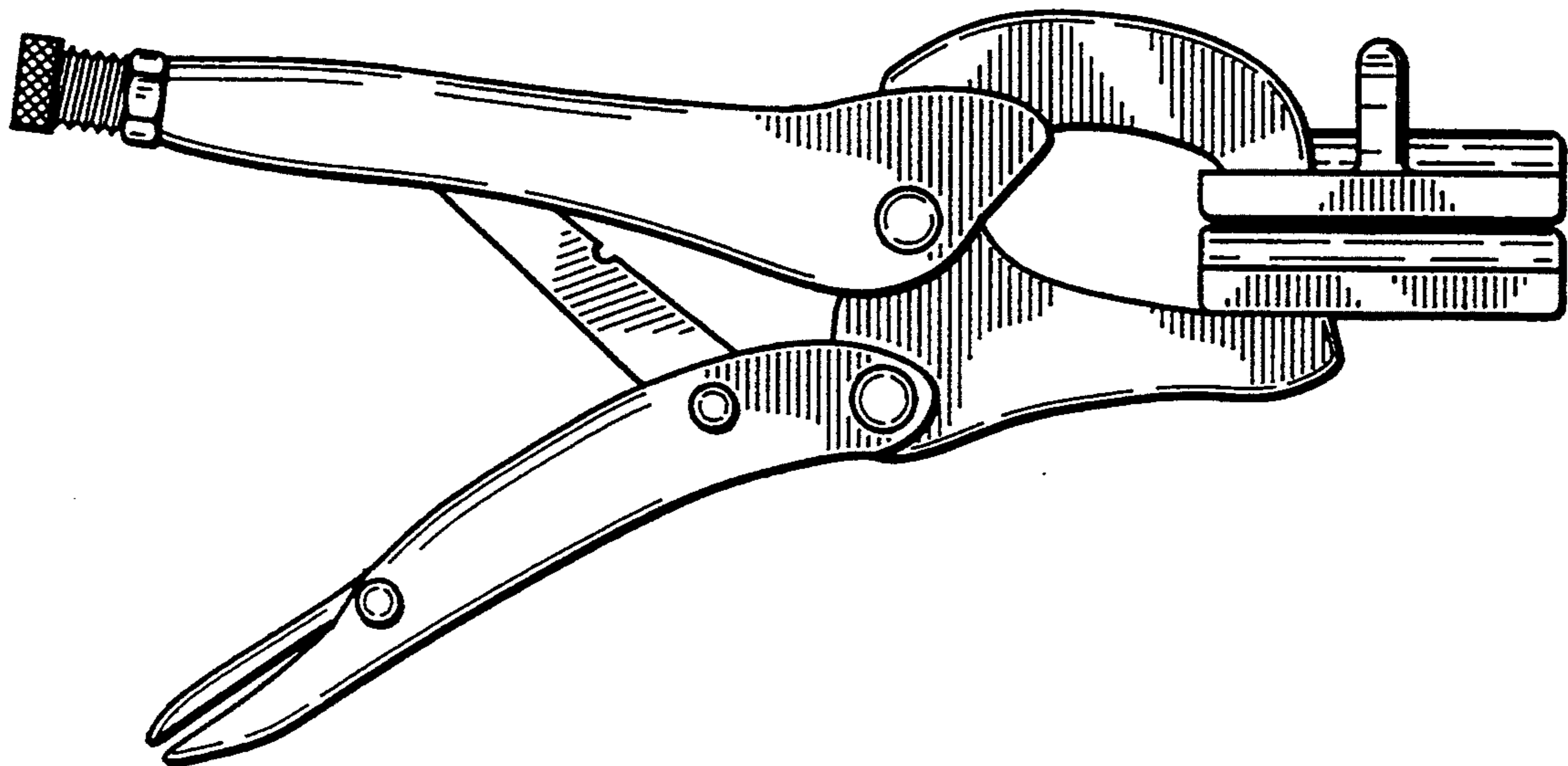
**DESCRIPTION**

[56] **References Cited**

**U.S. PATENT DOCUMENTS**

D. 215,079	9/1969	Heater .....	D8/52
D. 250,451	12/1978	Chartier et al. ....	D8/52
D. 256,091	7/1980	Fernandes .....	D8/90
D. 297,103	8/1988	Parish, Sr. ....	D8/52
1,778,949	10/1930	Johnson .....	72/458
3,617,044	11/1971	Strange .....	81/420
3,747,392	7/1973	King et al. ....	81/420
4,299,146	11/1981	Phelps .....	81/426.5

FIG. 1 is a top plan view of a tool for restoring curvature to items of sheet metal construction showing my new design thereof. The broken line drawing depicting a damaged machine being restored is for purposes of illustration only and forms no part of my design; FIG. 2 is a bottom plan view; FIG. 3 is a left side elevational view; FIG. 4 is a front elevational view; FIG. 5 is a top plan view; FIG. 6 is a right side elevational view; and, FIG. 7 is a rear elevational view.



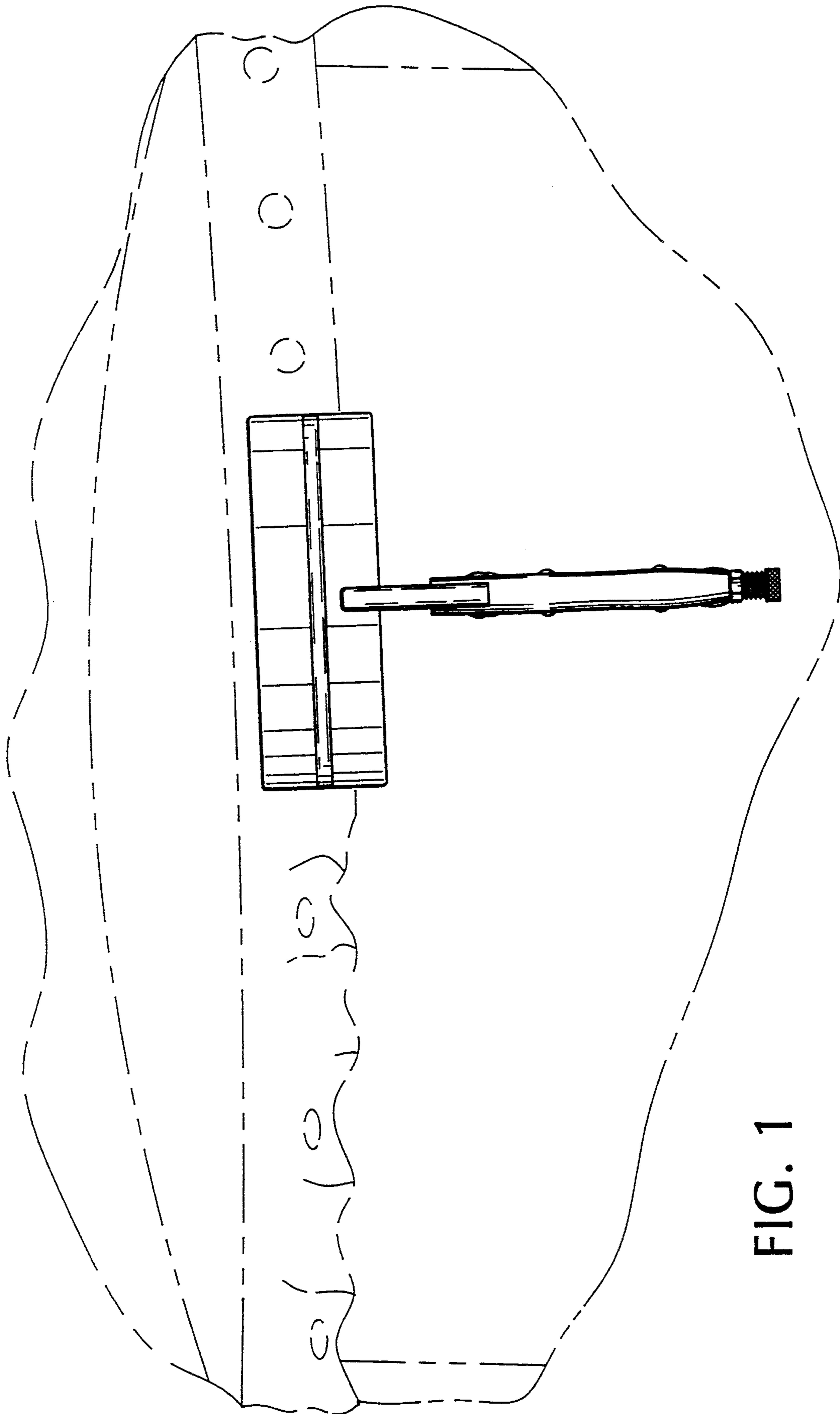
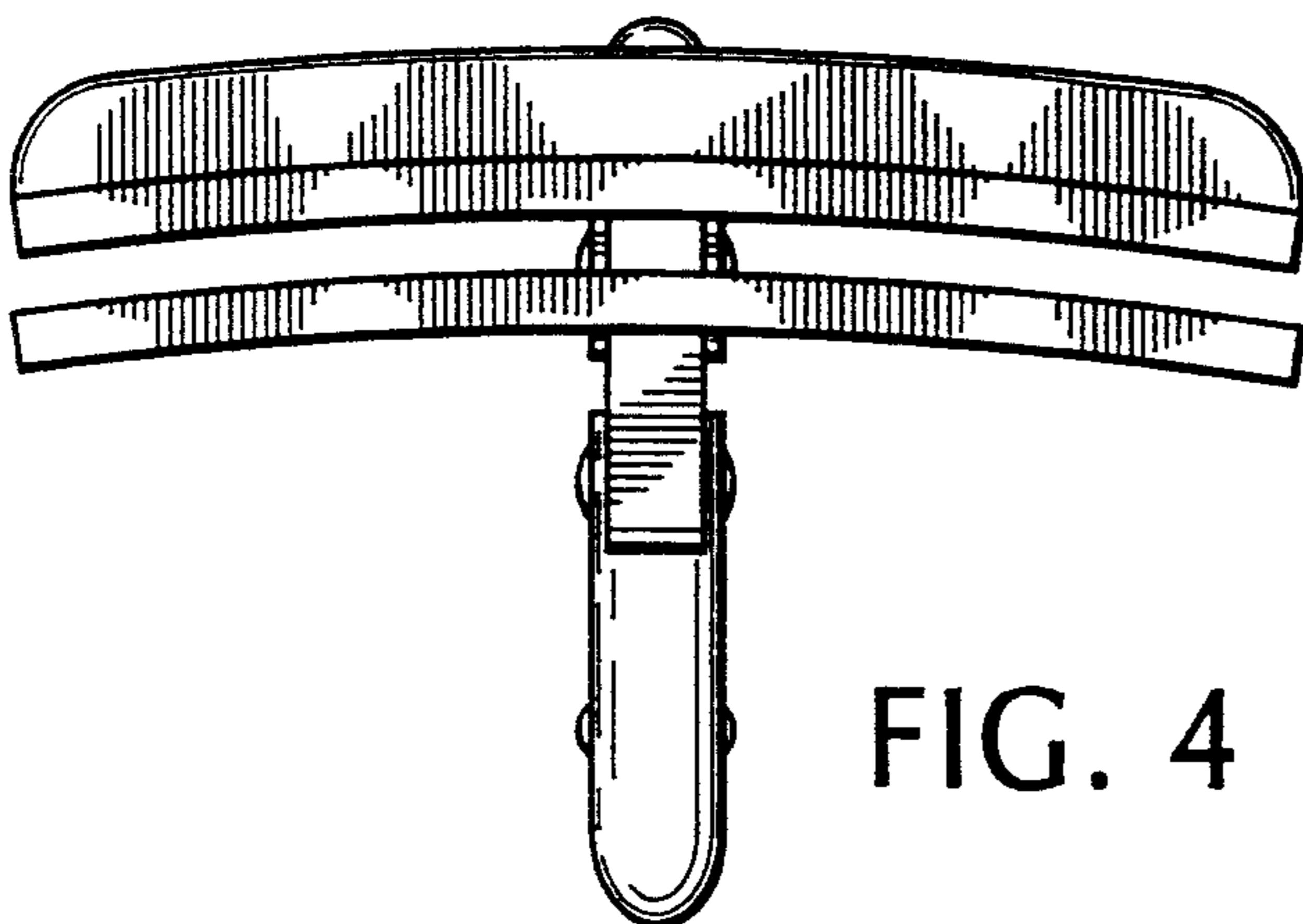
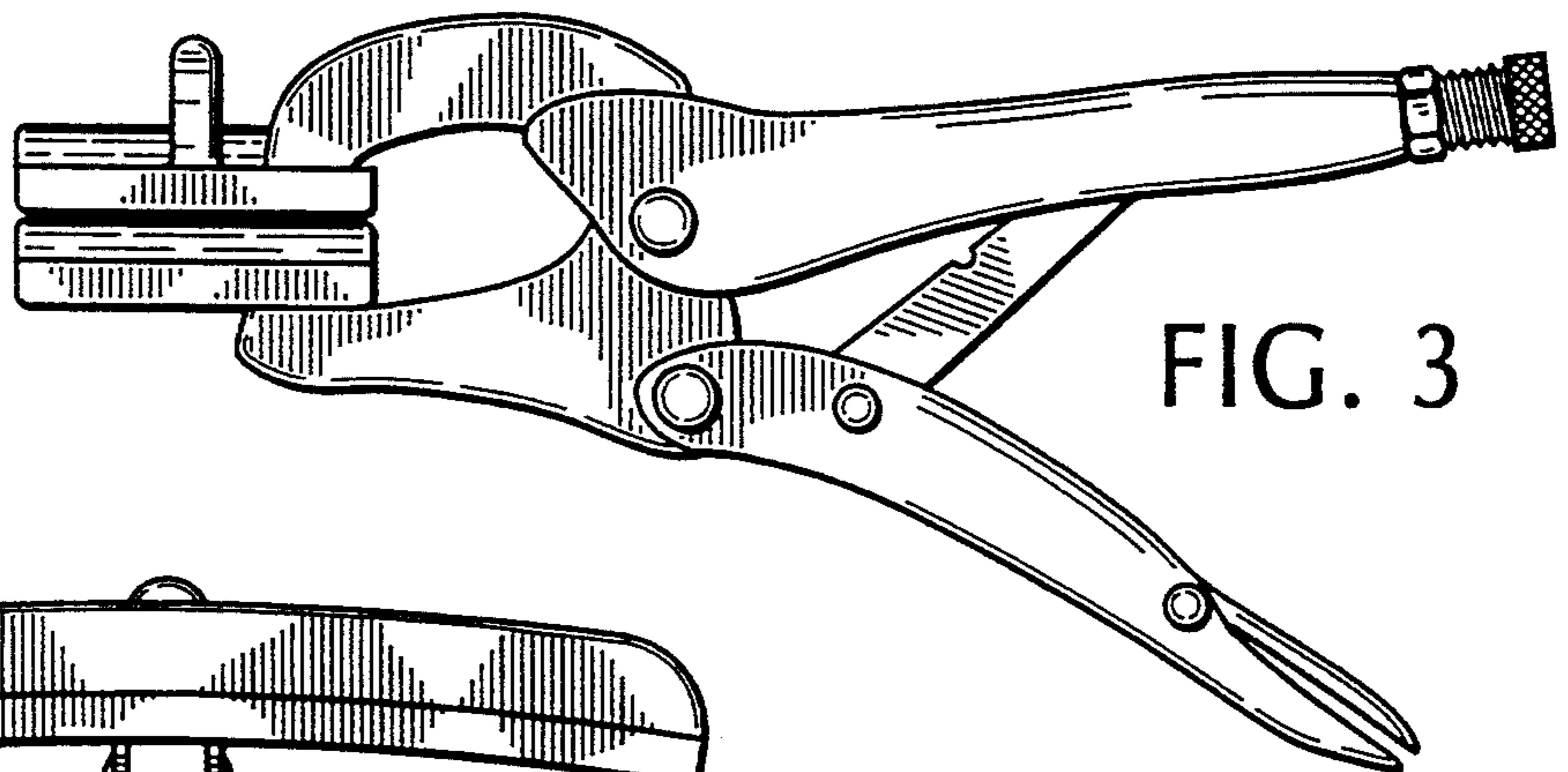
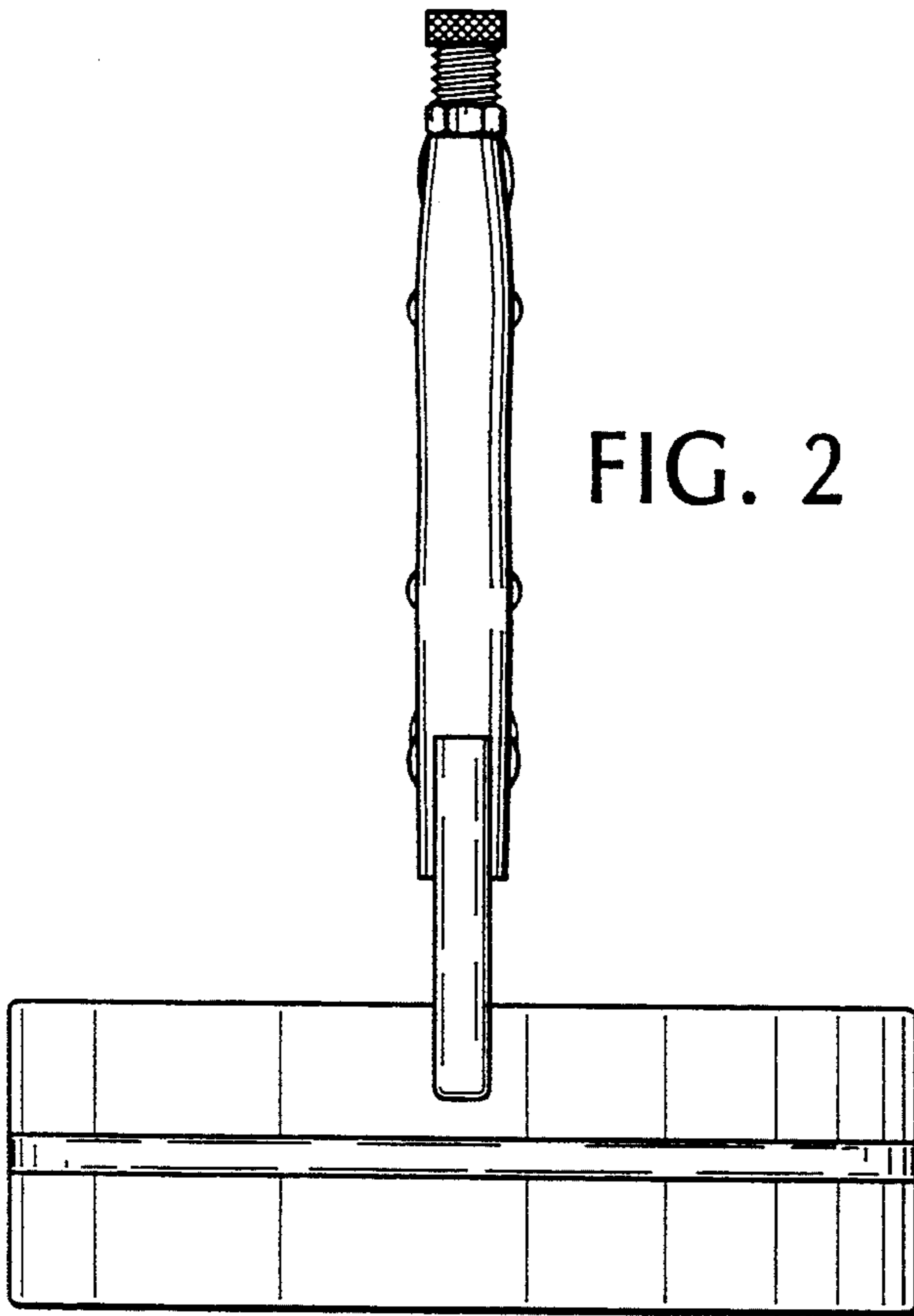


FIG. 1



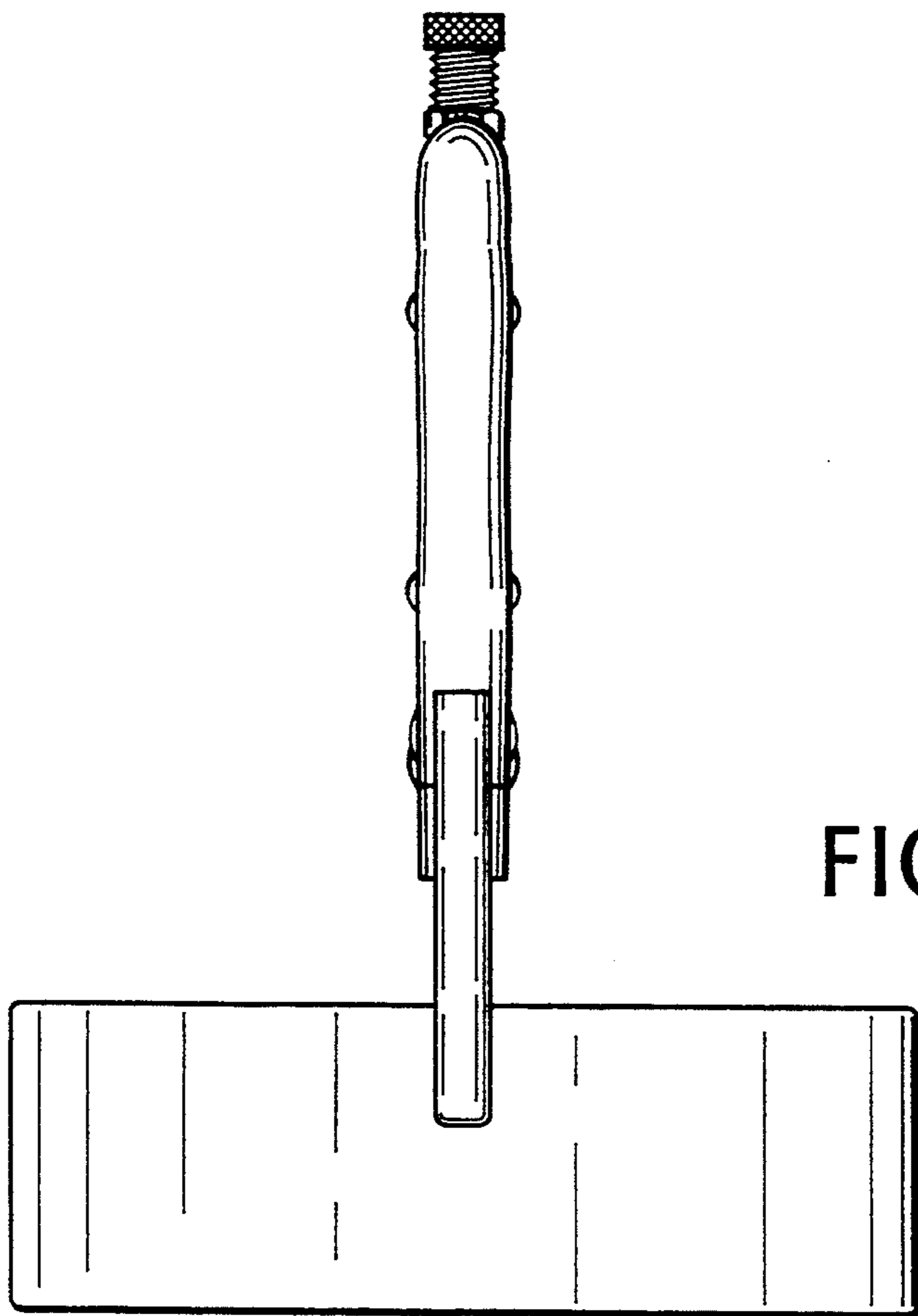


FIG. 5

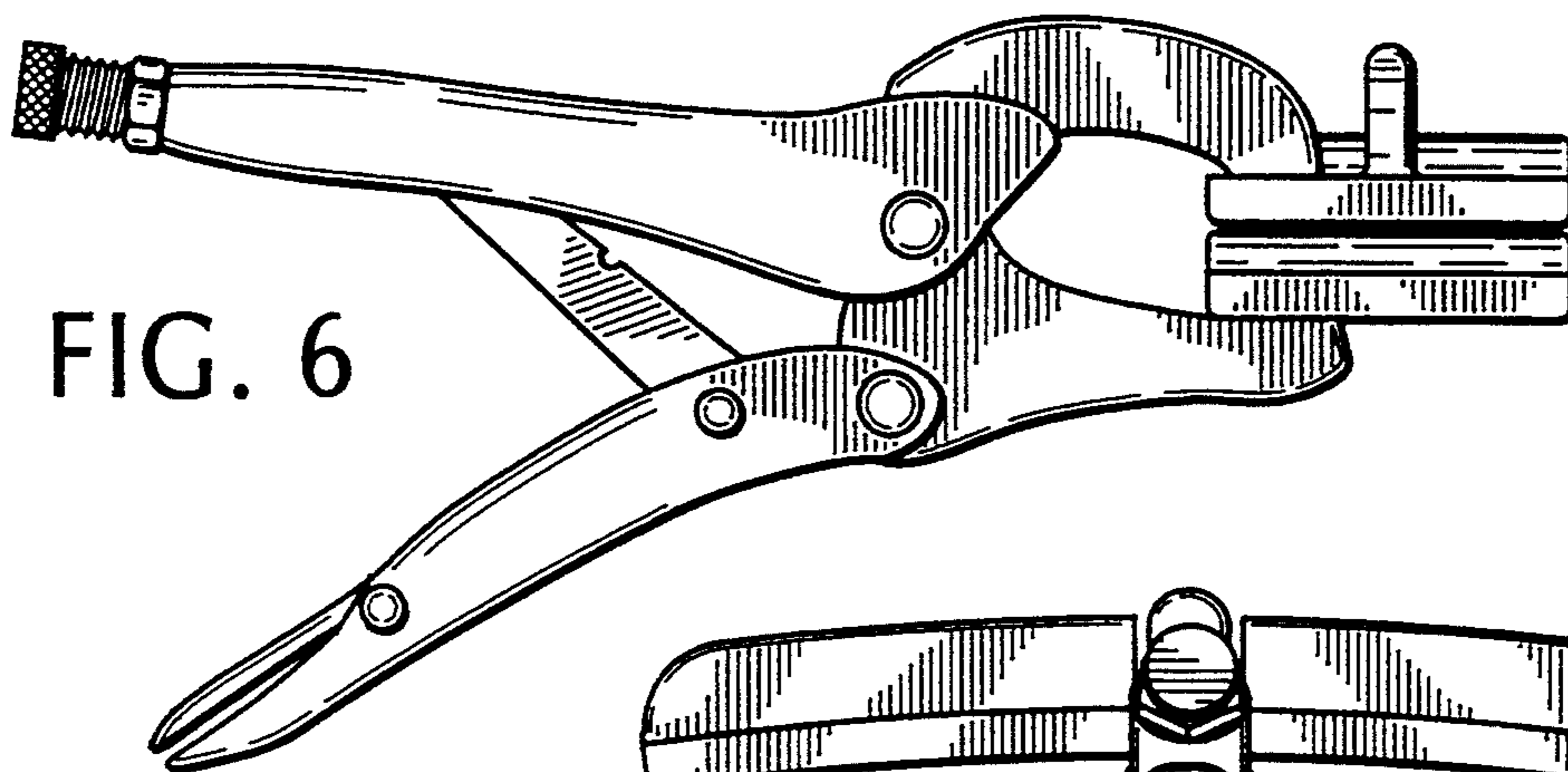


FIG. 6

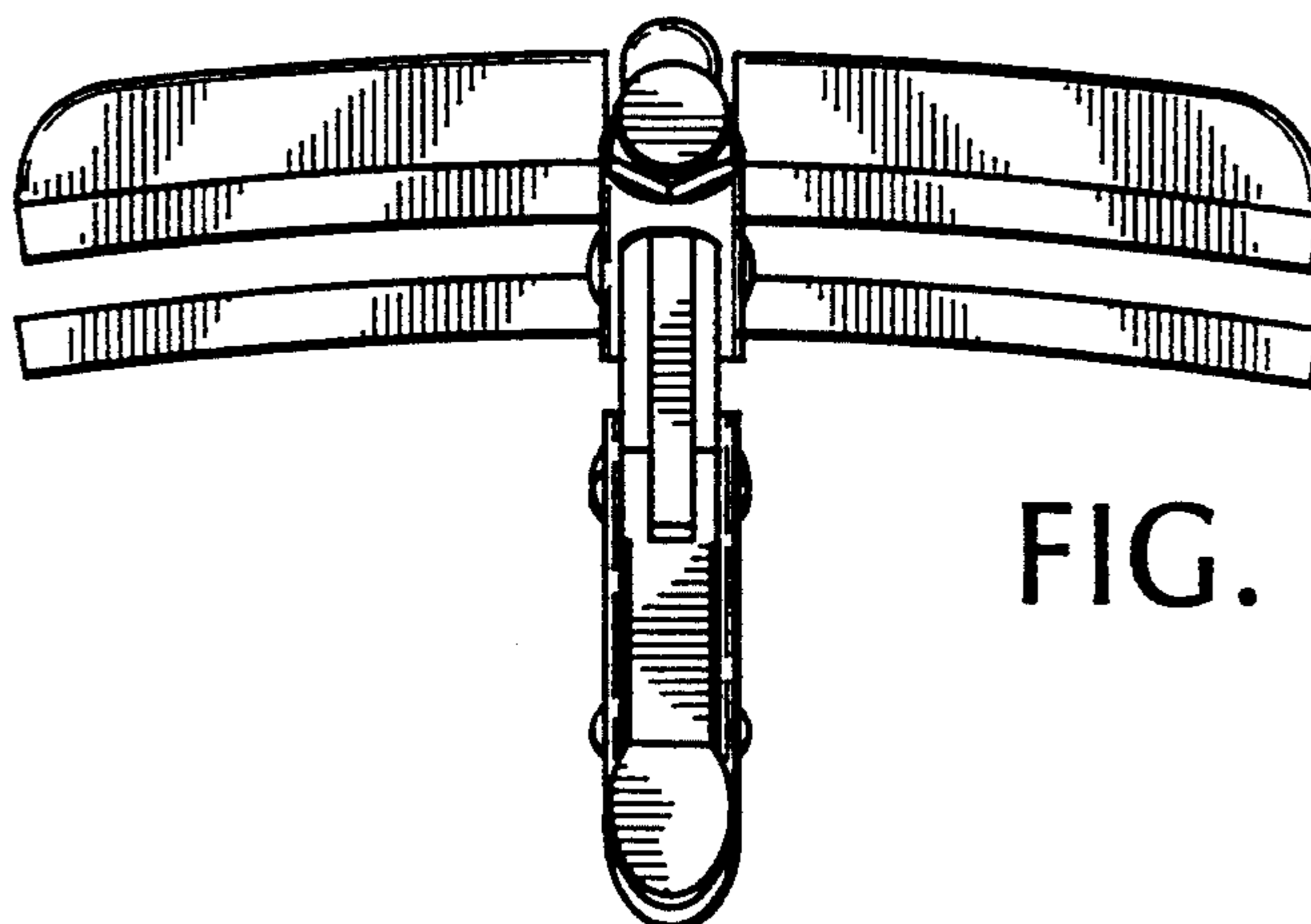


FIG. 7