



US00D355824S

# United States Patent [19]

[11] Patent Number: **Des. 355,824**

Smrt

[45] Date of Patent: **\*\* Feb. 28, 1995**

[54] **HANDLE FOR HOLDING AND REMOTELY ACTUATING AN AEROSOL CONTAINER**

*Primary Examiner*—Bernard Ansher

*Assistant Examiner*—Philip Hyder

*Attorney, Agent, or Firm*—Leydig, Voit & Mayer, Ltd.

[76] Inventor: **Thomas J. Smrt**, 9716 S. Grant Highway, Marengo, Ill. 60152

[57] **CLAIM**

[\*\*] Term: **14 Years**

The ornamental design of a handle for holding and remotely actuating an aerosol container, as shown and described.

[21] Appl. No.: **15,537**

**DESCRIPTION**

[22] Filed: **Nov. 19, 1993**

FIG. 1 is a left side view of a first embodiment of a handle for holding and remotely actuating an aerosol container according to the present design;

[52] U.S. Cl. .... **D8/51; D9/448**

FIG. 2 is a right side view of said first embodiment;

[58] Field of Search ..... **D8/14, 51, 52; D9/434, D9/448, 449; 222/473, 474, 174, 402.15; D23/18**

FIG. 3 is a bottom view of said first embodiment;

FIG. 4 is a top view of said first embodiment;

FIG. 5 is a rear end view of said first embodiment;

FIG. 6 is a front end view of said first embodiment;

FIG. 7 is a left side perspective view of said first embodiment;

[56] **References Cited**

**U.S. PATENT DOCUMENTS**

D. 186,338	10/1959	Stow	.....	D9/434
D. 287,394	12/1986	Yamamoto	.....	D9/448
2,720,422	10/1955	Mercur	.....	222/174
2,830,742	4/1958	Gibbons et al.	.....	222/473
2,960,260	11/1960	Kutik	.....	222/473
3,485,206	12/1969	Smrt	.....	222/174
3,510,028	5/1970	Batistelli	.....	222/174
3,716,195	2/1973	Silva	.....	239/375
3,856,209	12/1974	Hickson	.....	222/174
3,861,566	1/1975	Wentzell	.....	222/174
3,977,570	8/1976	Smrt	.....	222/174
4,040,543	8/1977	Guillen	.....	222/473
4,099,482	7/1978	Smrt	.....	222/174
4,660,745	4/1987	Hess, Jr.	.....	222/174
4,789,084	12/1988	Yoshitomi	.....	222/402.15
4,805,812	2/1989	Brody	.....	222/474
5,086,954	2/1992	Brody	.....	222/402.11

FIG. 8 is a left side view of a second embodiment of a handle for holding and remotely actuating an aerosol container according to the present design;

FIG. 9 is a right side view of said second embodiment;

FIG. 10 is a top view of said second embodiment;

FIG. 11 is a bottom view of said second embodiment;

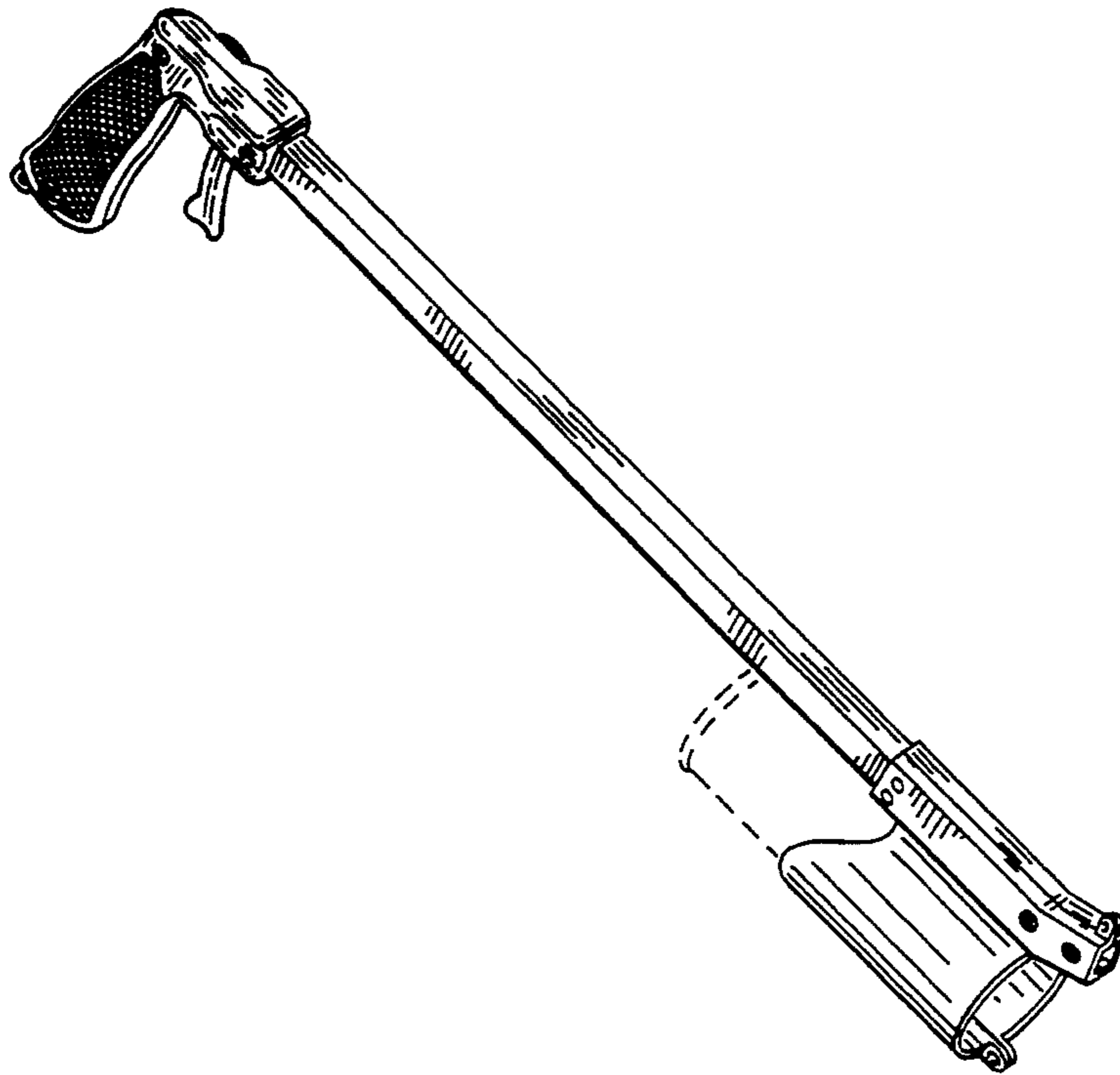
FIG. 12 is a rear end view of said second embodiment;

FIG. 13 is a front end view of said second embodiment;

and,

FIG. 14 is a right side perspective view of said second embodiment.

The broken line showing of the aerosol container in FIG. 7 is for illustrative purposes only and forms no part of the claimed design.



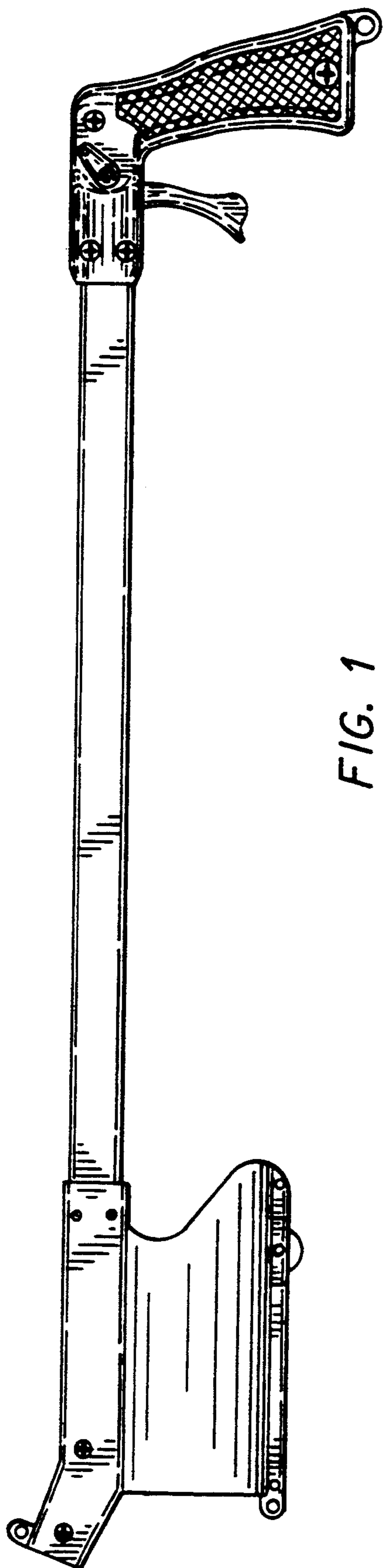


FIG. 1

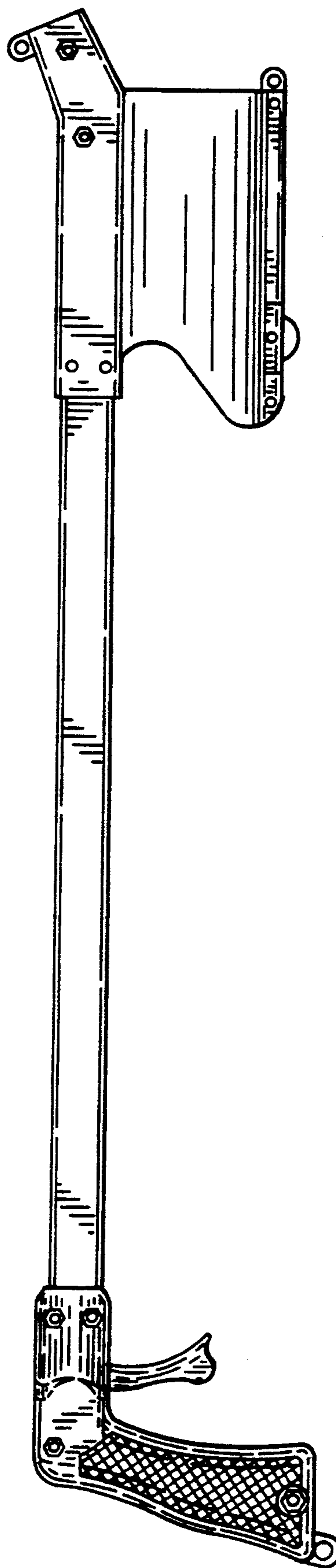


FIG. 2

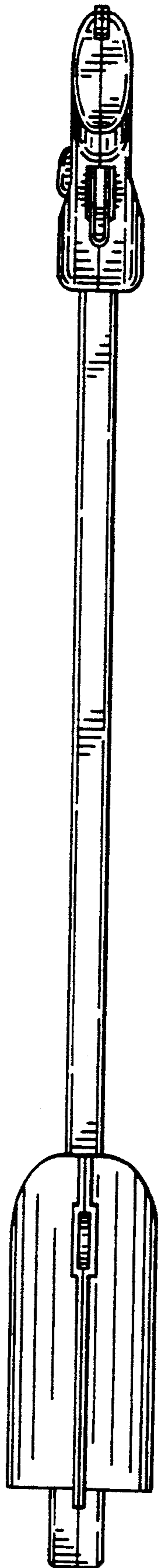


FIG. 3

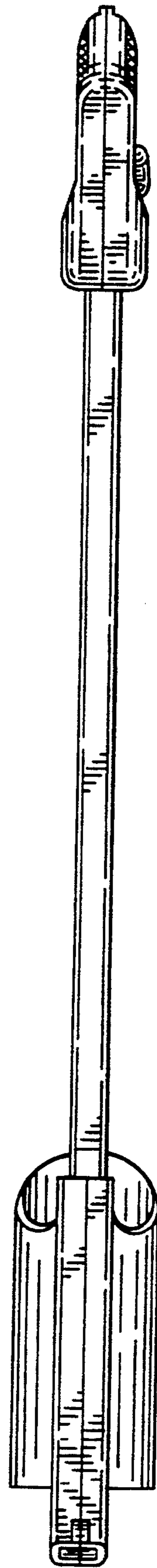


FIG. 4



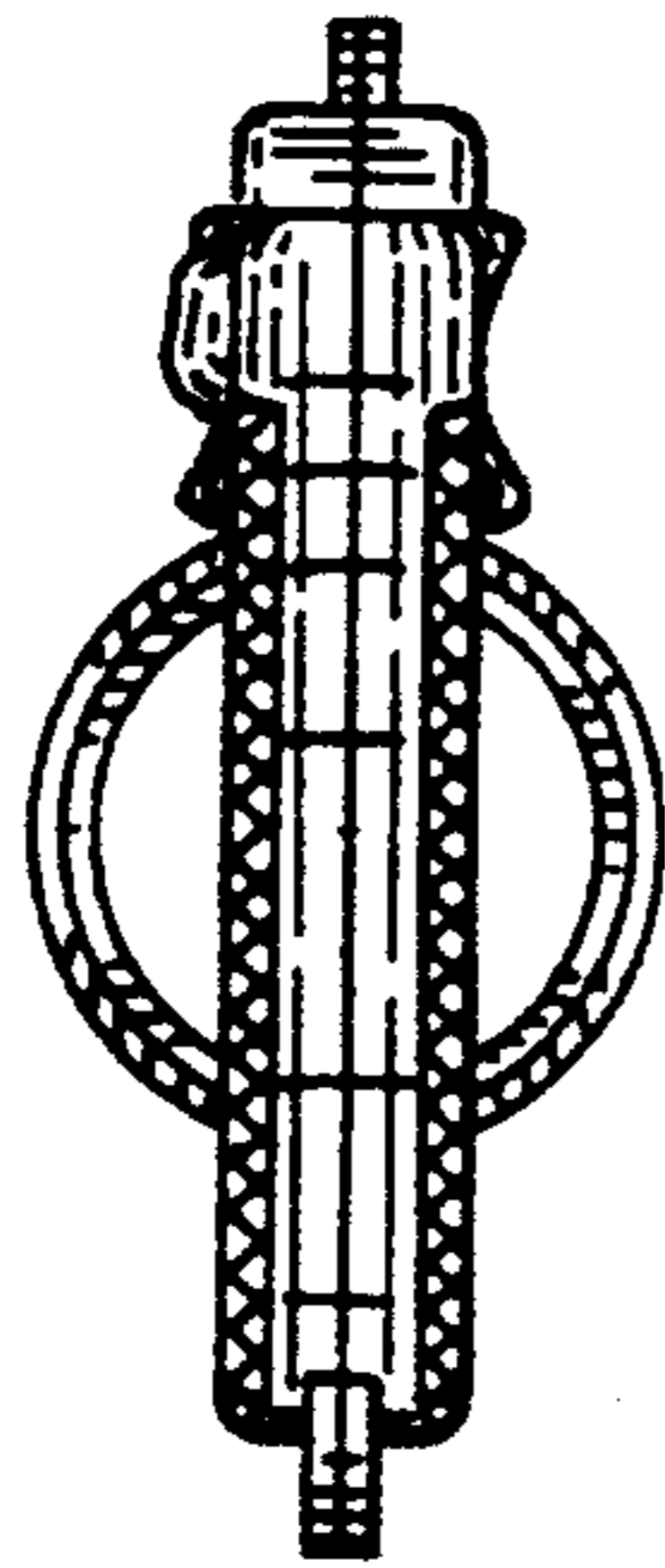


FIG. 5

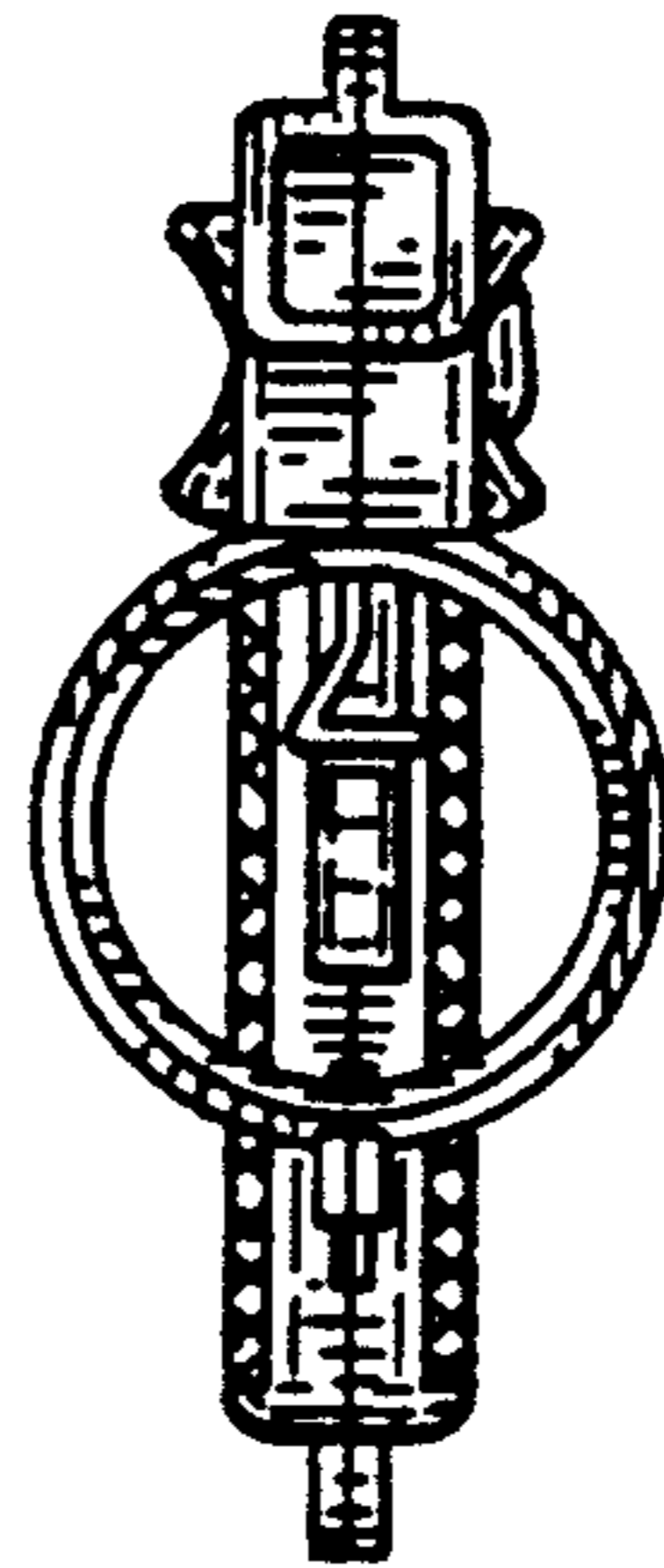


FIG. 6

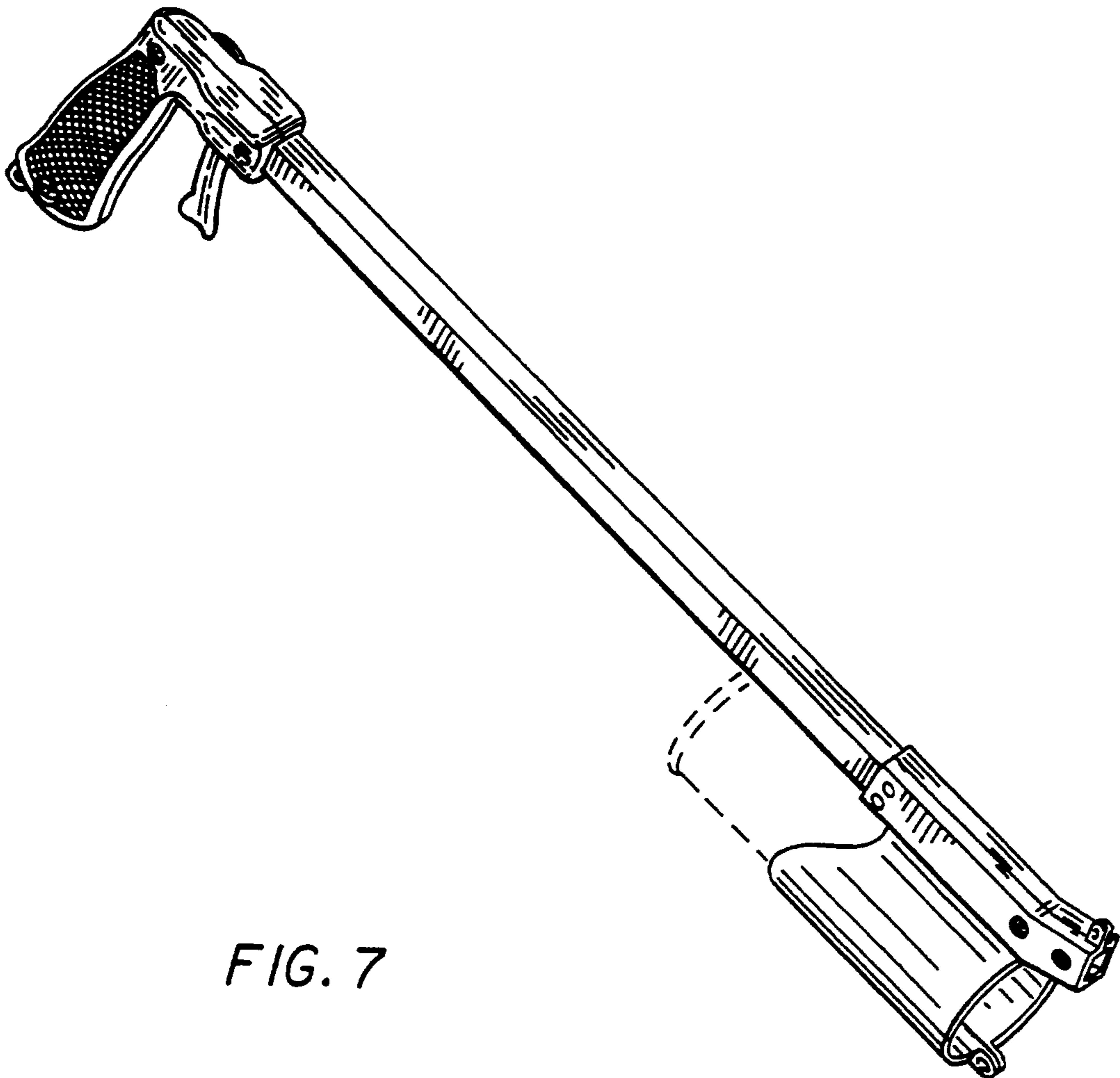
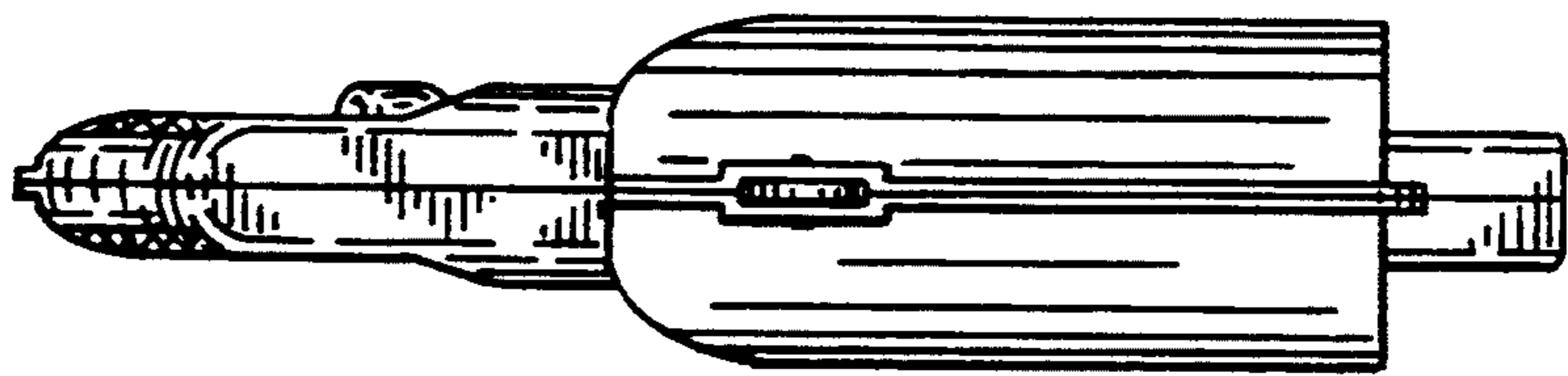
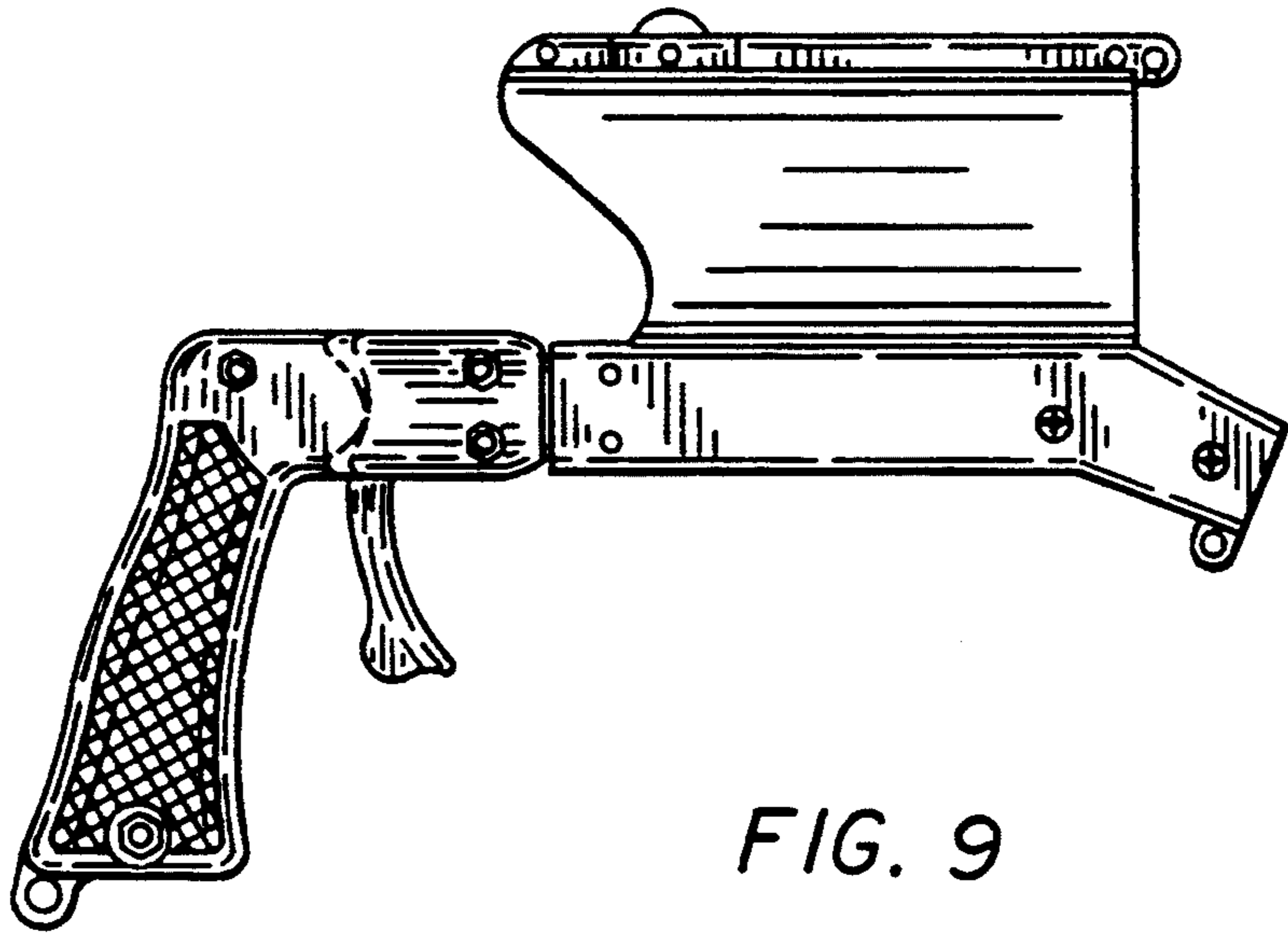
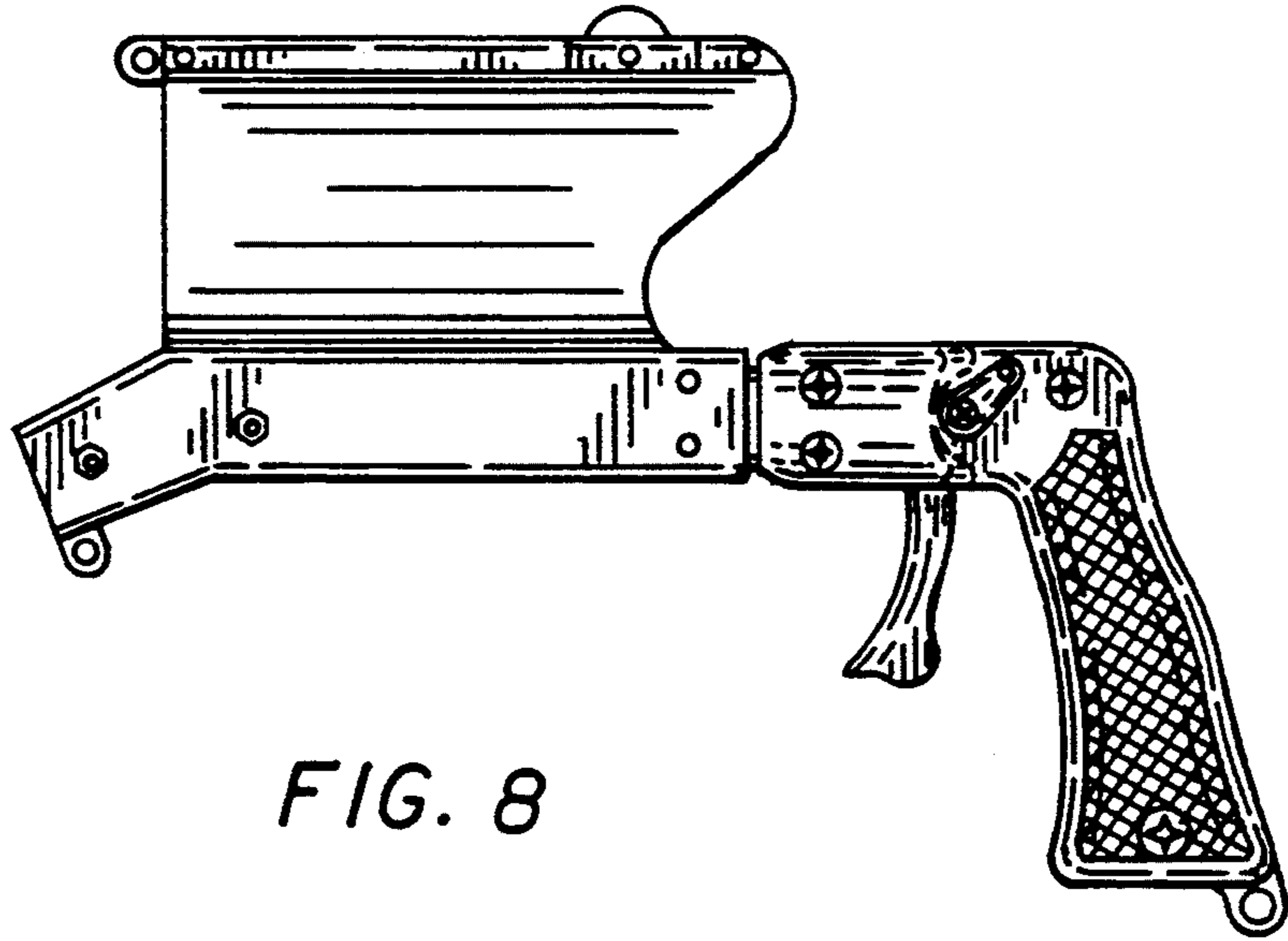


FIG. 7



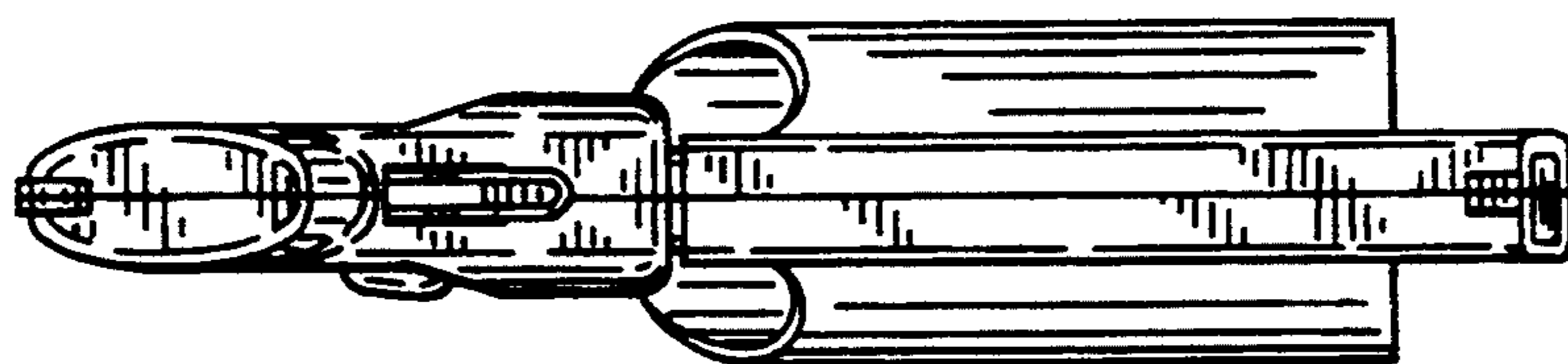


FIG. 11

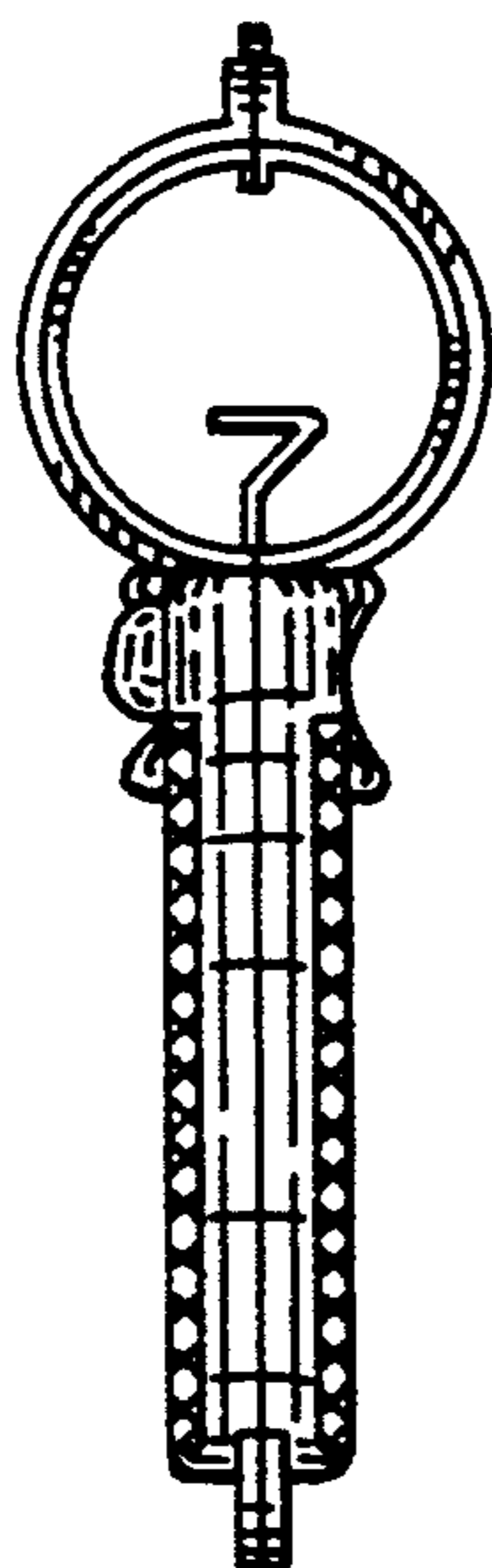


FIG. 12

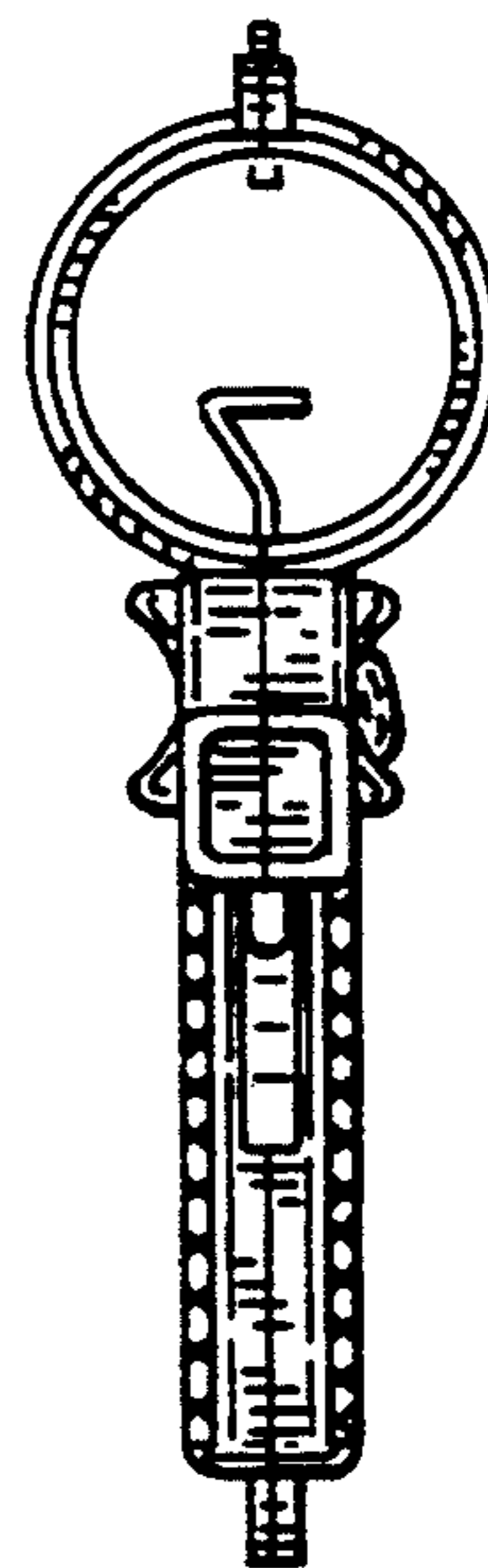


FIG. 13

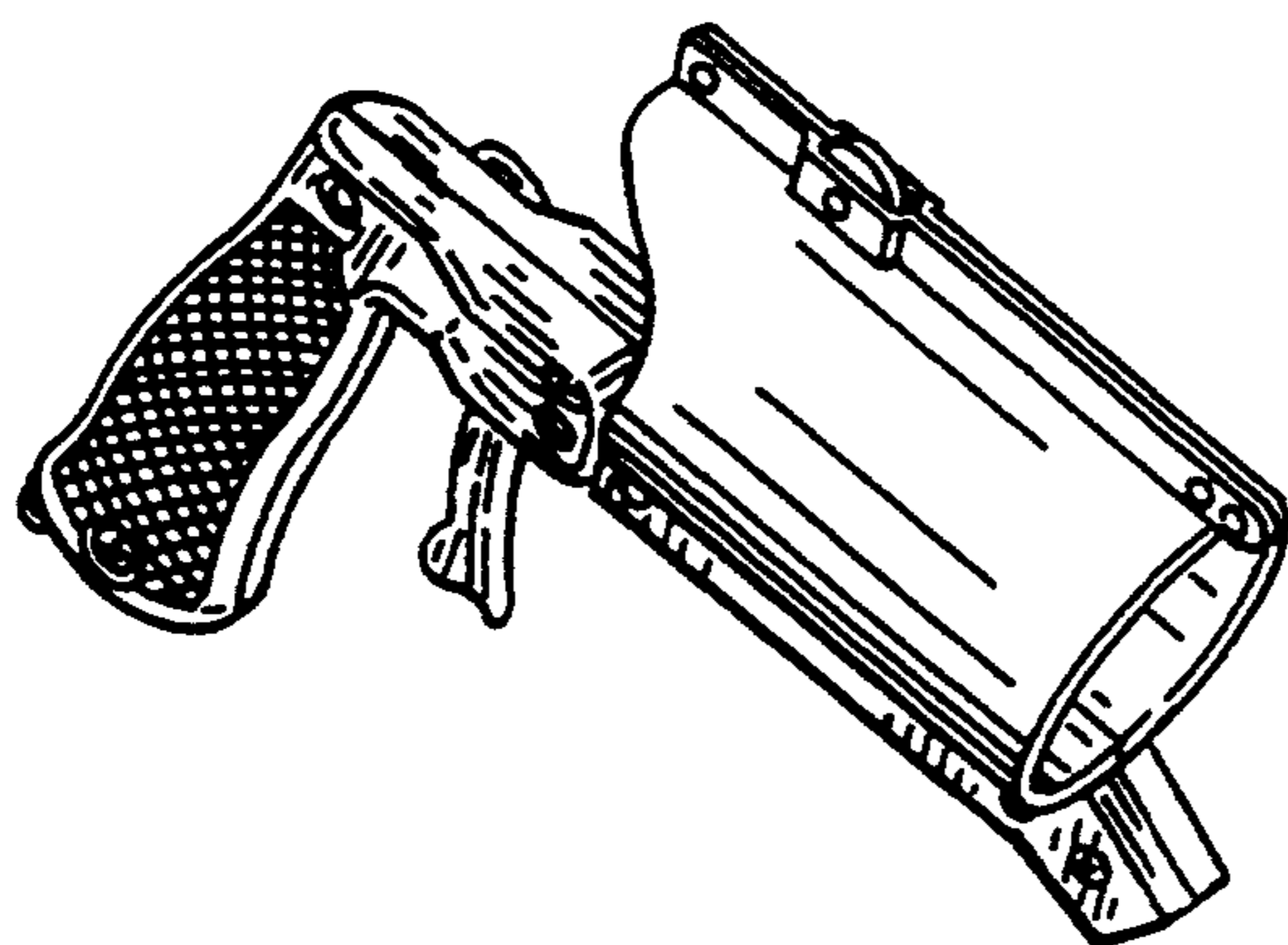


FIG. 14