



US00D355823S

# United States Patent [19]

[11] Patent Number: **Des. 355,823**

Dumas et al.

[45] Date of Patent: **\*\* Feb. 28, 1995**

[54] **COMBINED HUB PULLER AND UNIVERSAL JOINT PUSHER TOOL**

[76] Inventors: **Denis Dumas**, 674 St. Joseph E., Levis, Quebec G6V-1J4; **Michel Caron**, 2312 Marie-Victorin, Sillery, Quebec G1T-2W4, both of Canada

[\*\*] Term: **14 Years**

[21] Appl. No.: **920,630**

[22] Filed: **Jul. 28, 1992**

[30] **Foreign Application Priority Data**

Jun. 29, 1992 [CA] Canada ..... 29-06-92-3  
[52] U.S. Cl. .... **D8/51**  
[58] Field of Search ..... D8/51, 14; D12/207; 301/105.1; 29/258, 263, 264, 266

[56] **References Cited**

**U.S. PATENT DOCUMENTS**

1,227,178 5/1917 Murray ..... 301/105.1  
1,230,016 6/1917 Murray ..... 301/105.1  
1,309,804 7/1919 Kelsey ..... 301/105.1

2,098,134 11/1937 Cook et al. .... 29/265  
2,349,220 5/1944 Eksbergian ..... 301/105.1  
2,684,527 7/1954 Hedlund ..... 29/266  
4,209,888 7/1980 Glasscock, Sr. .... D8/51  
4,259,774 4/1981 Dolinski et al. .... 29/263  
4,682,395 7/1987 Klann ..... 29/263

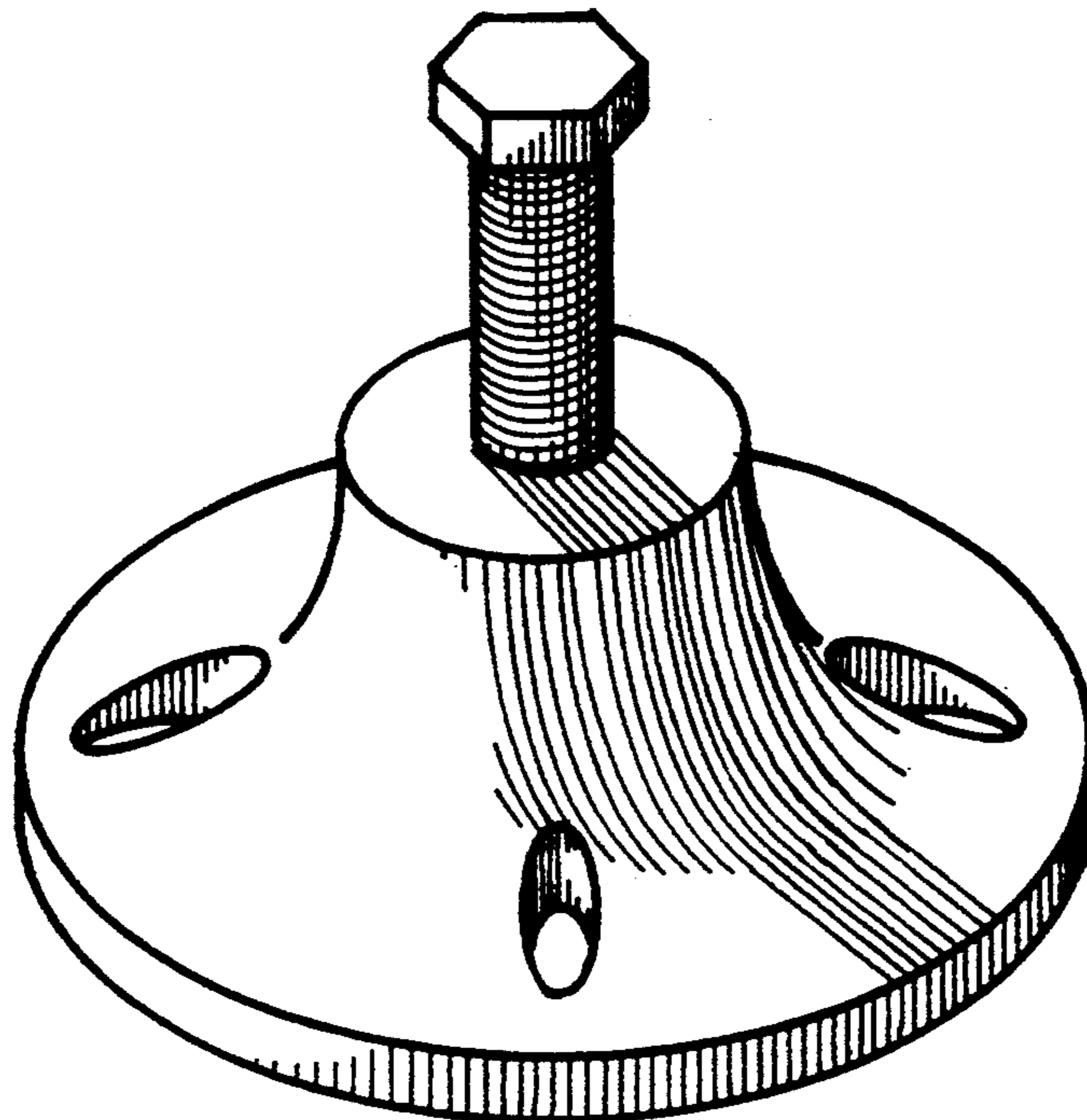
*Primary Examiner*—Bernard Ansher  
*Assistant Examiner*—Philip Hyder

[57] **CLAIM**

The ornamental design for a combined hub puller and universal joint pusher tool, as shown and described.

**DESCRIPTION**

FIG. 1 is a perspective view of a combined hub puller and universal joint pusher tool showing my new design, taken from the top;  
FIG. 2 is a perspective view thereof, taken from the bottom;  
FIG. 3 is a top plan view thereof;  
FIG. 4 is a bottom plan view thereof;  
FIG. 5 is a side elevational view thereof;  
FIG. 6 is a top plan view of a modified embodiment thereof; and,  
FIG. 7 is a front elevational view of FIG. 6.



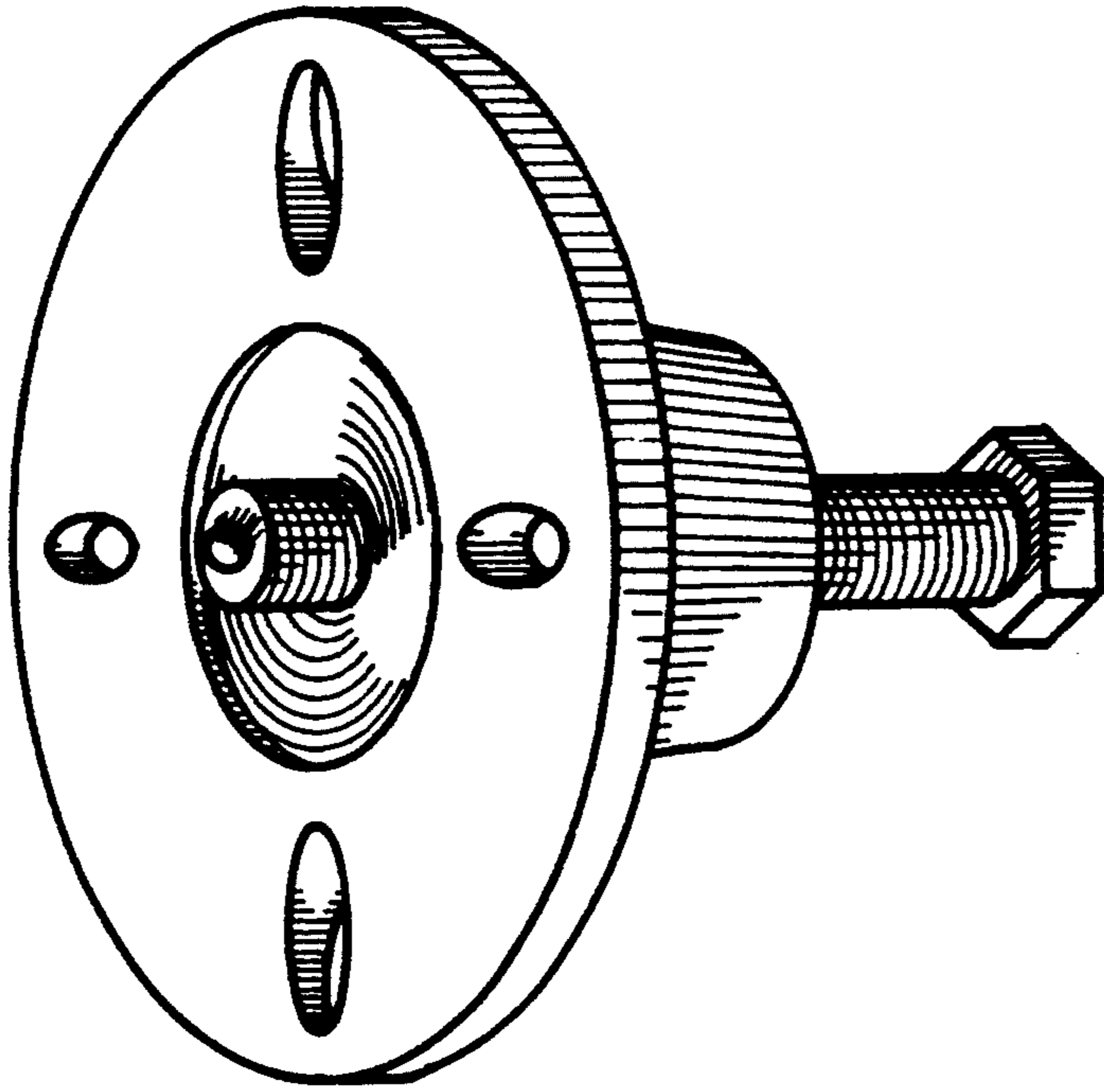


FIG. 2

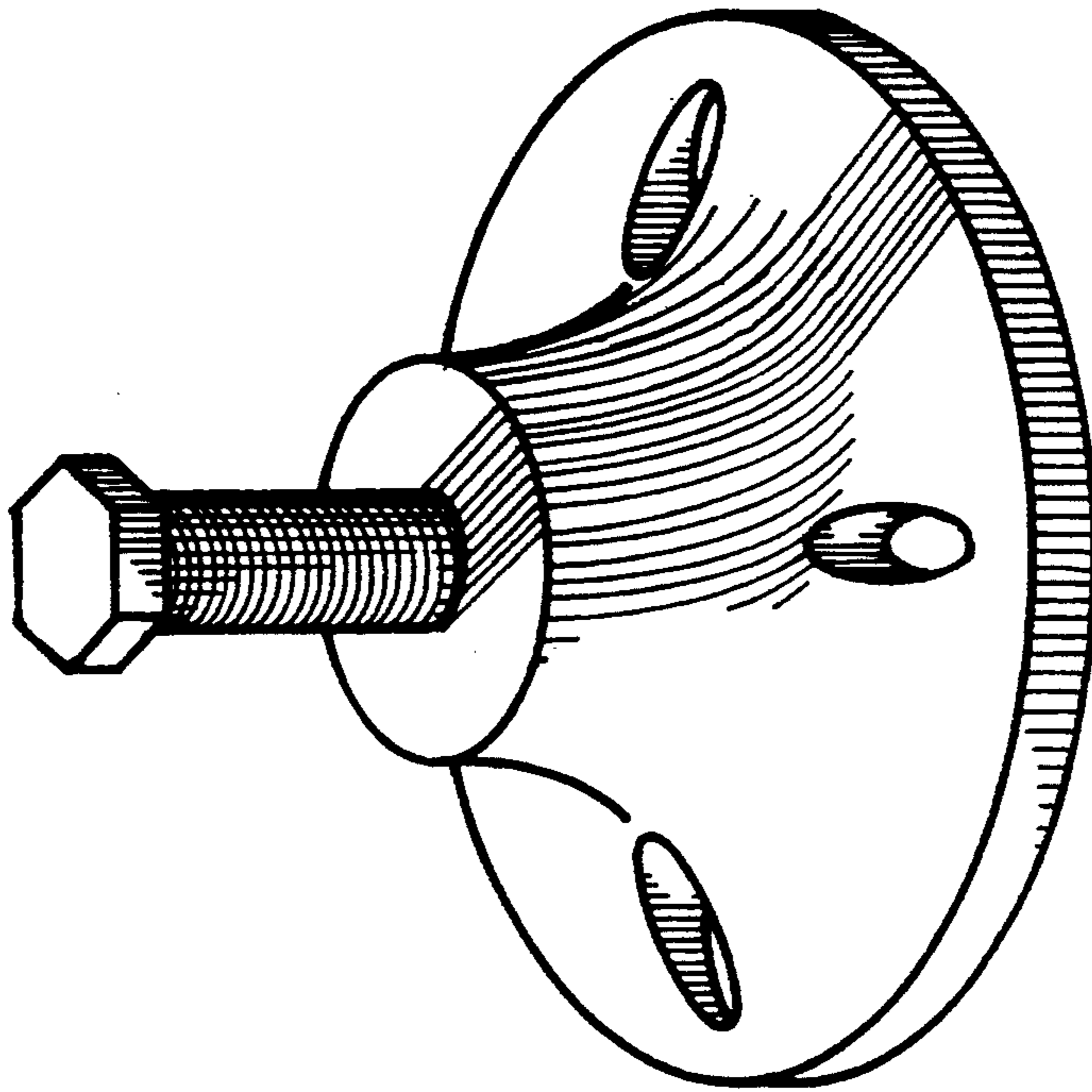


FIG. 1

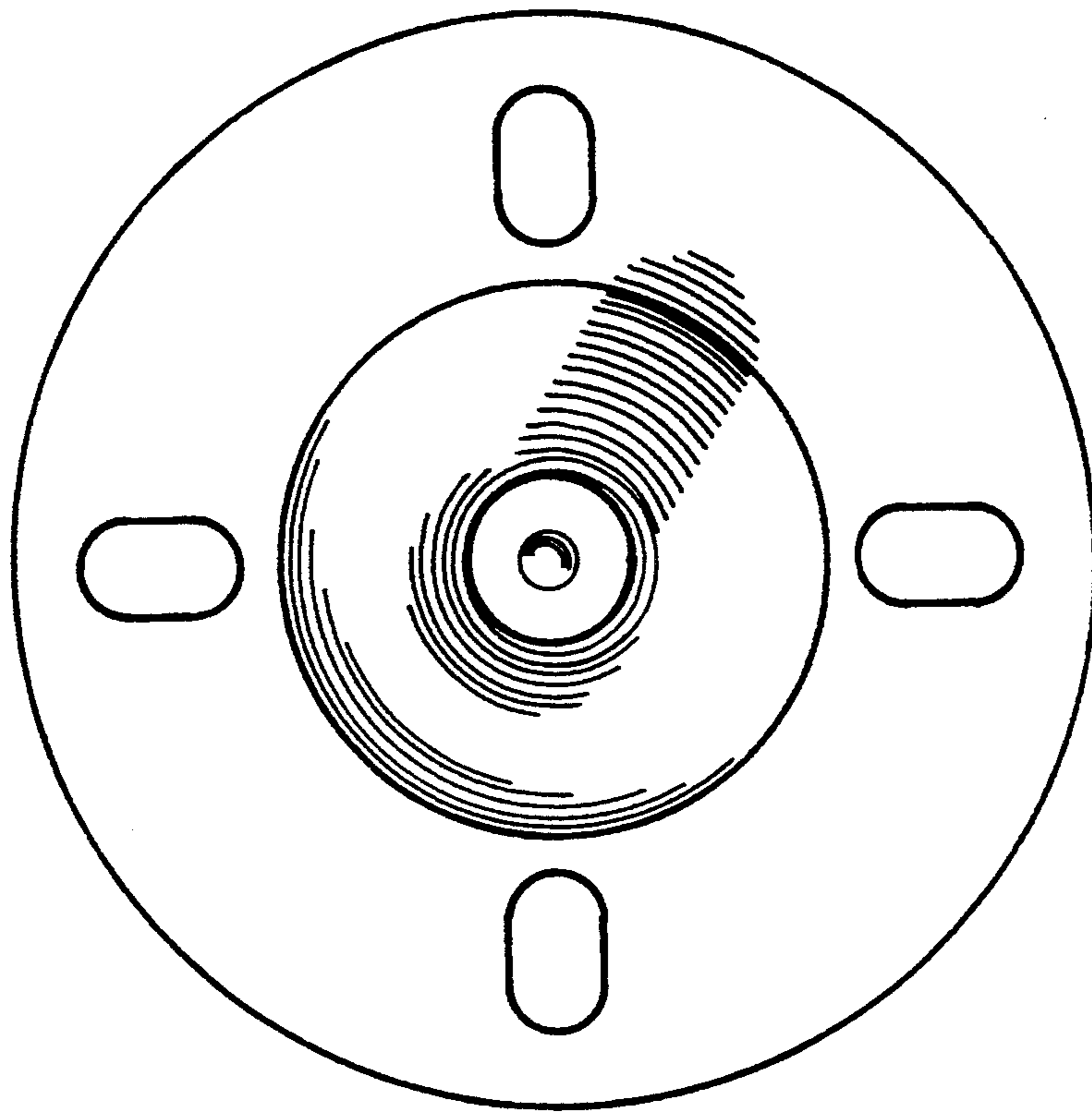


FIG. 4

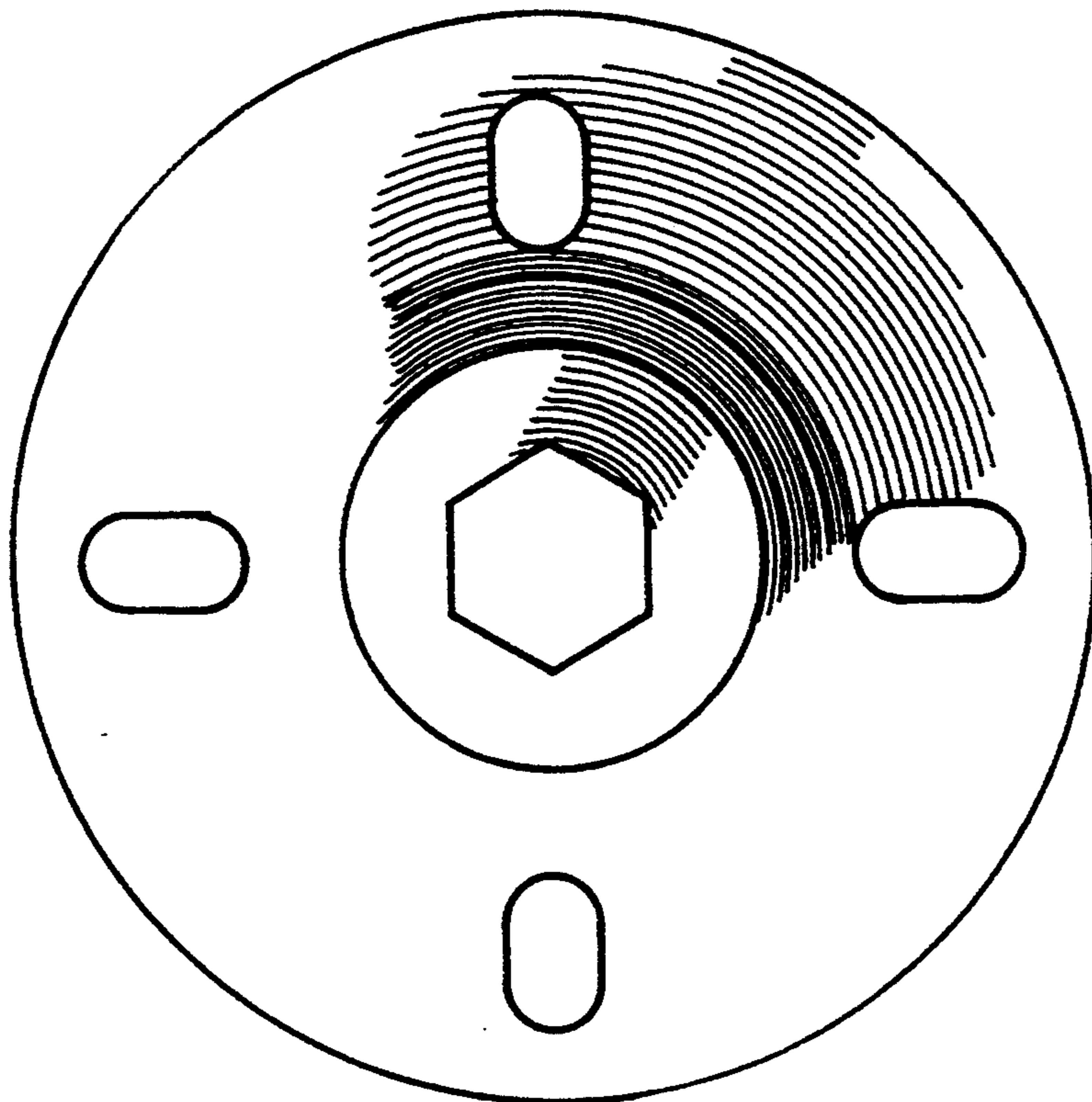


FIG. 3

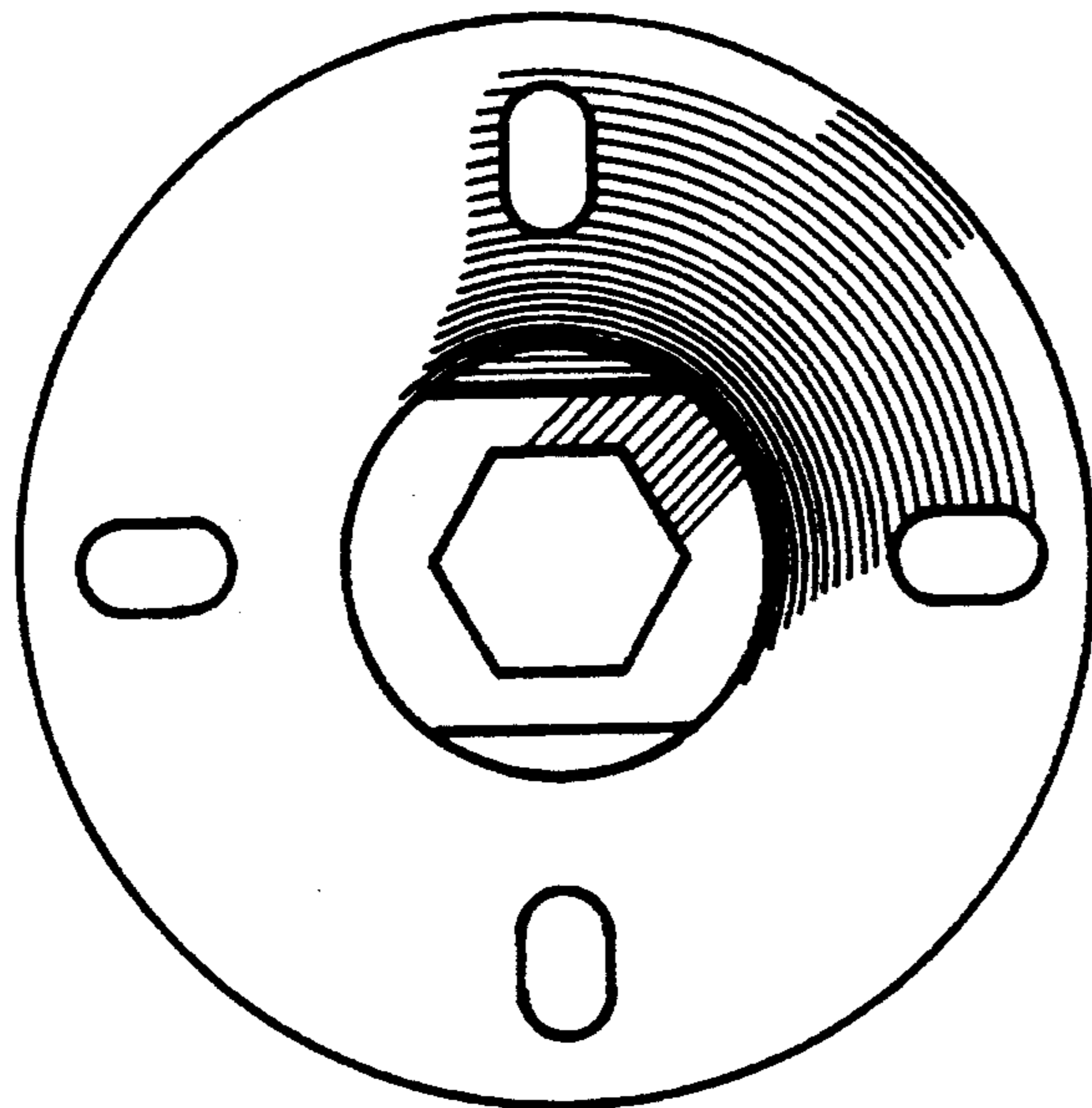


FIG. 6

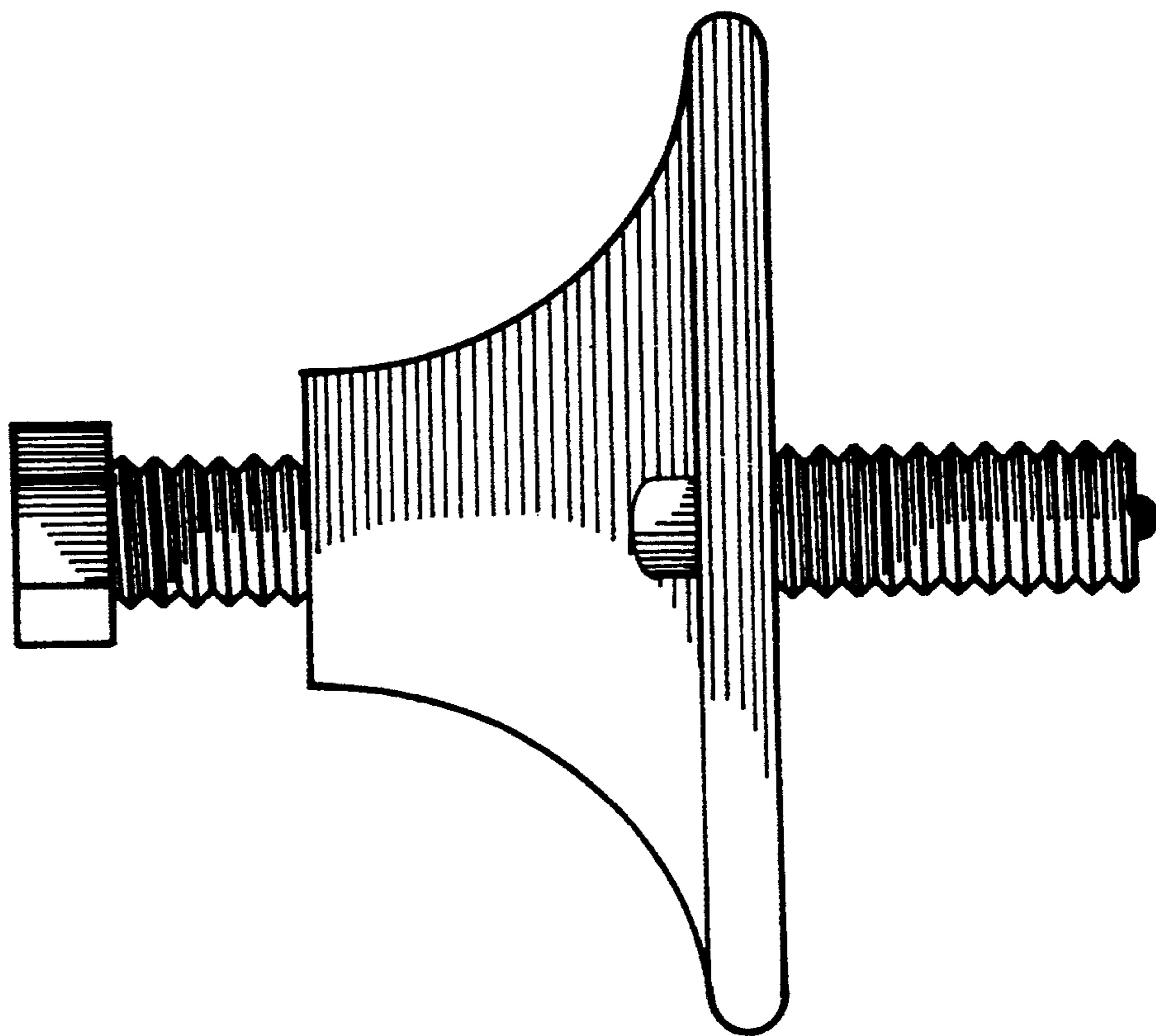


FIG. 5



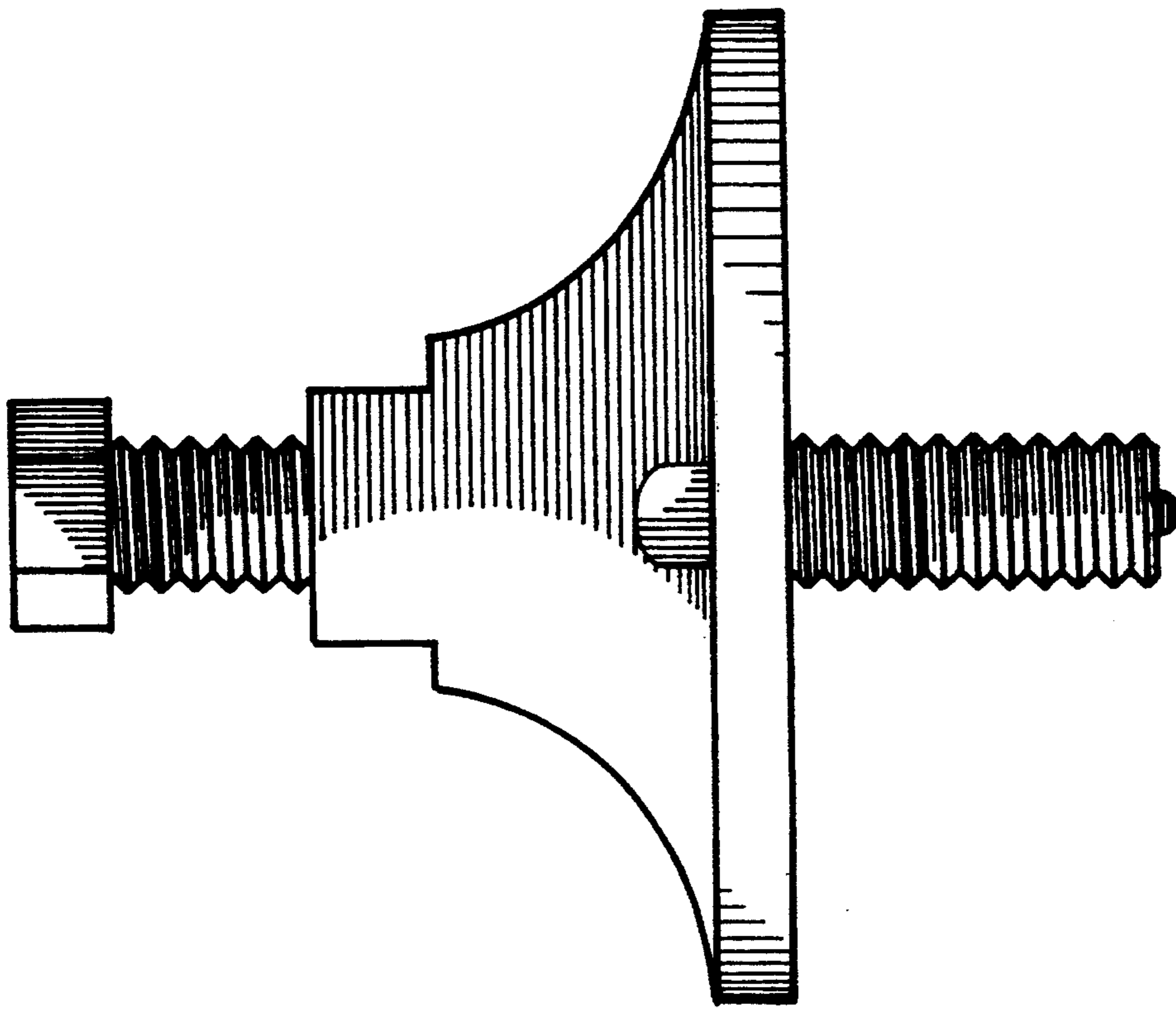


FIG. 7