



US00D355822S

# United States Patent [19]

[11] Patent Number: **Des. 355,822**

Smith

[45] Date of Patent: **\*\* Feb. 28, 1995**

[54] STAPLER

### OTHER PUBLICATIONS

[76] Inventor: **Robert S. Smith**, 1468 Rimcrest Ct., Bonita, Calif. 91902

U.S. Gov't Office & Furnishing Supply Catalog, 1981 p. 309 (model 300HD).

U.S. Postal Service Products, 1989 p. 242 (model H1-11302, Item B).

[\*\*] Term: **14 Years**

*Primary Examiner*—Bernard Ansher  
*Assistant Examiner*—Adir Aronovich  
*Attorney, Agent, or Firm*—Timothy T. Tyson

[21] Appl. No.: **8,392**

### [57] CLAIM

[22] Filed: **May 17, 1993**

The ornamental design for a stapler, as shown and described.

[52] U.S. Cl. .... **D8/50**

[58] Field of Search ..... D8/49, 50, 61, 69;  
227/127, 128, 132, 134

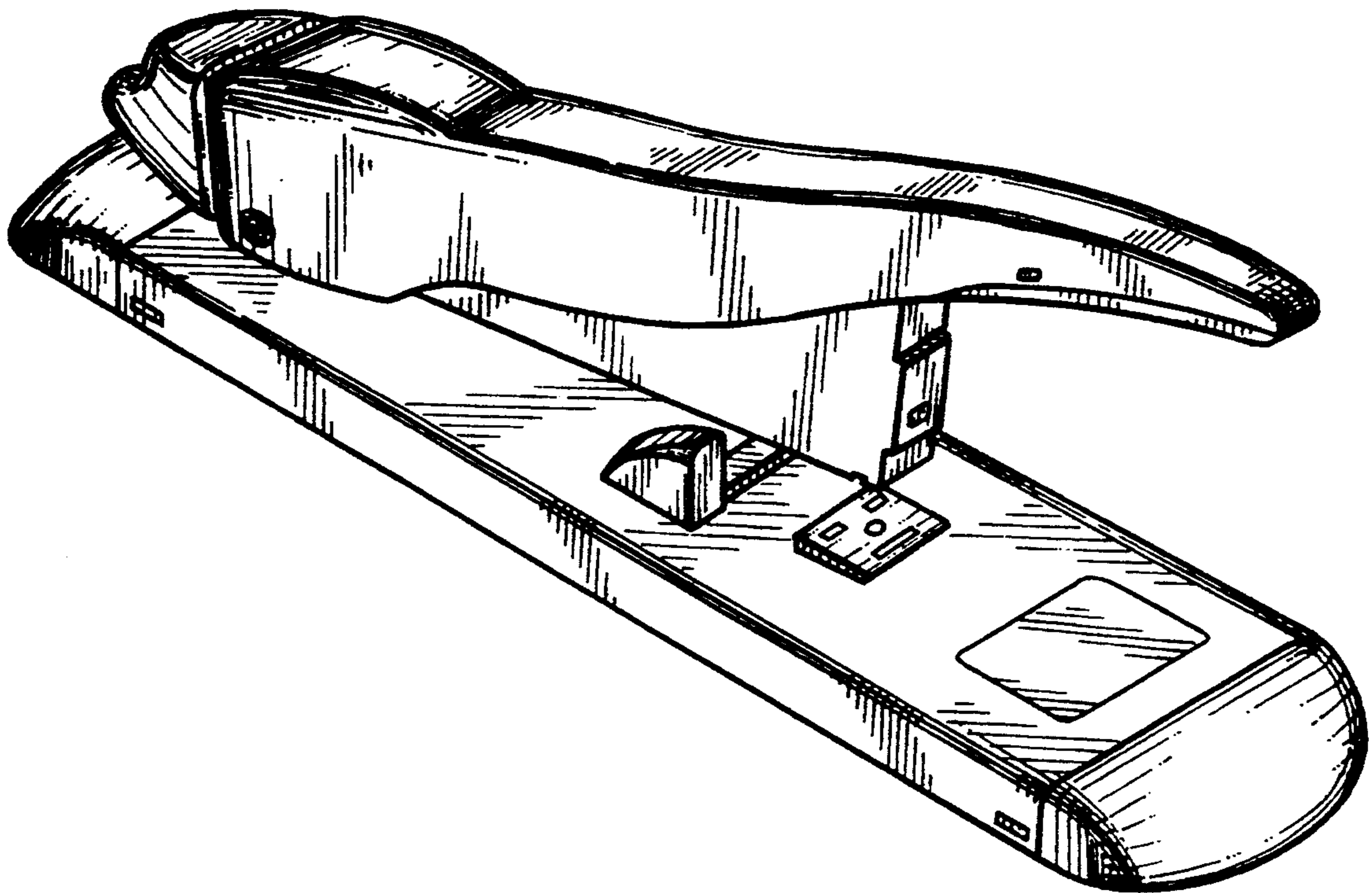
### DESCRIPTION

### [56] References Cited

#### U.S. PATENT DOCUMENTS

D. 214,347	6/1969	Power	.....	D8/50
D. 264,925	6/1982	Bass et al.	.....	D8/50
D. 329,790	9/1992	Chi	.....	D8/50
1,028,778	6/1912	Powers et al.	.....	227/132
2,603,781	7/1952	Ruskin	.....	227/128

FIG. 1 is a reduced top front right side perspective view of a stapler showing my new design; FIG. 2 is a front elevation view thereof; FIG. 3 is a rear elevation view thereof; FIG. 4 is a top plan view thereof; FIG. 5 is a left side elevational view, the right side elevational view being the mirror image thereof; and, FIG. 6 is a bottom plan view thereof.



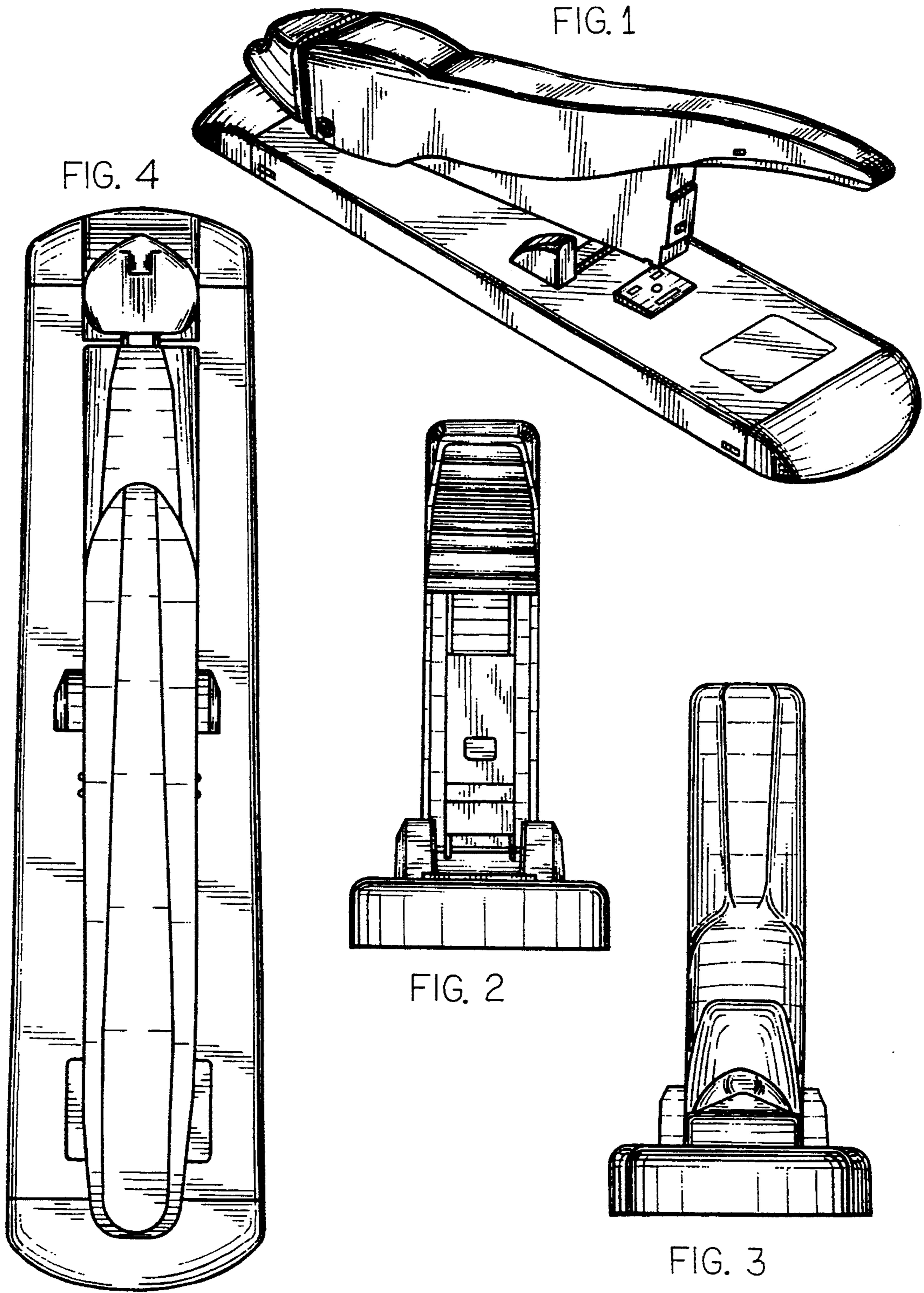


FIG. 5

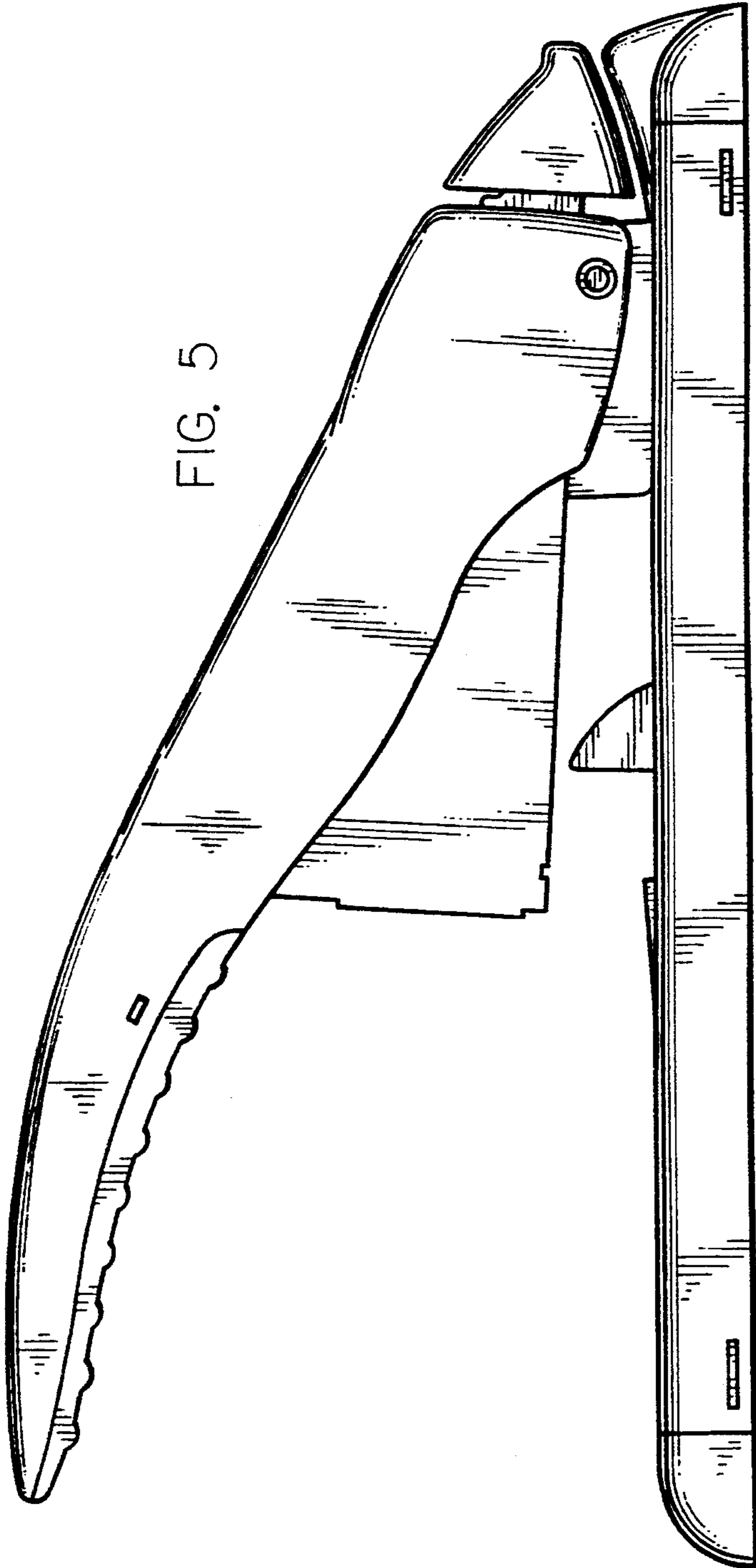


FIG. 6

