



US00D355821S

United States Patent [19]

[11] Patent Number: Des. 355,821

Kruskamp

[45] Date of Patent: ** Feb. 28, 1995

[54] VINYL AND CARPET KICKER

[75] Inventor: Stephen L. Kruskamp, Fair Oaks, Calif.

[73] Assignee: Gary K. Wood, Carmichael, Calif.; a part interest

[**] Term: 14 Years

[21] Appl. No.: 7,011

[22] Filed: Apr. 14, 1993

[52] U.S. Cl. D8/15

[58] Field of Search D8/15; 7/103; 294/8.6

[56] References Cited

U.S. PATENT DOCUMENTS

D. 209,620	12/1967	Kochanowski	D8/15
844,107	2/1907	Driver	294/8.6
1,919,840	7/1933	Hoobler	294/8.6
2,631,403	3/1953	Hopkins	294/8.6
2,882,642	4/1959	Hill	294/8.6
3,374,023	3/1968	Hill et al.	294/8.6
3,866,964	2/1975	Prater	294/8.6

OTHER PUBLICATIONS

"Floor Covering Tools" catalogue published by Crain

Cutter Co., Inc.; p. 1, with front and rear cover—publi7 cation date unknown.

"Floor Covering Installation Products" catalogue published by Robert Consolidated Industries Inc.; p. 24 with front cover—publication date unknown.

"Tools, Patching Compounds and Underlayments" catalogue published by Roofing Equipment Inc., a subsidiary of Daniels Enterprises Inc.; p. 11 with front cover—published on or about May, 1987.

Primary Examiner—Bernard Ansher

Assistant Examiner—Mitchell I. Siegel

Attorney, Agent, or Firm—Lothrop & West

[57] CLAIM

The ornamental design for a vinyl and carpet kicker, as shown and described.

DESCRIPTION

FIG. 1 is a left front perspective of a vinyl and carpet kicker, showing my new design;

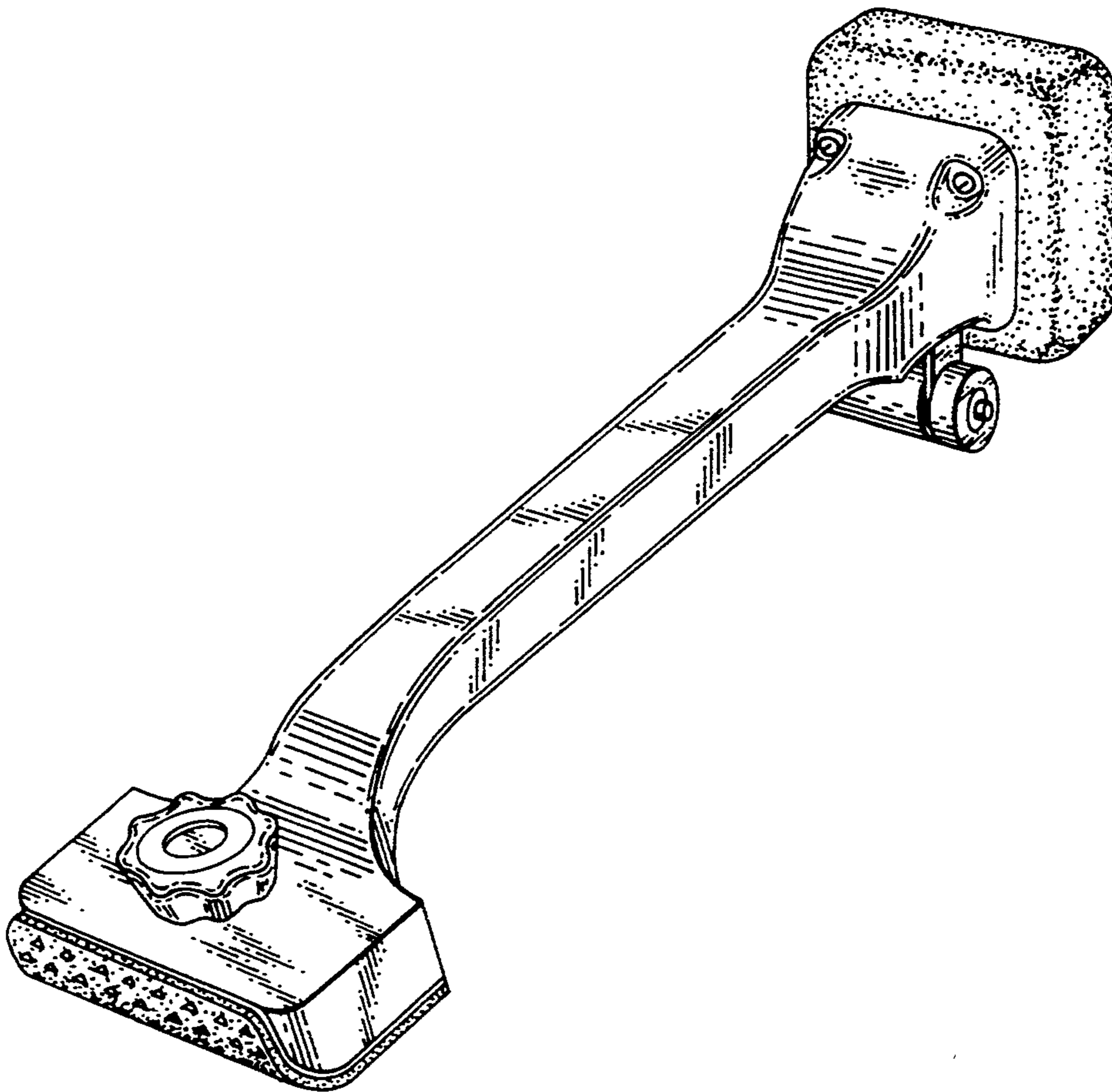
FIG. 2 is a left side elevational view thereof, the undisclosed opposite side being a mirror image;

FIG. 3 is a top plan view, thereof;

FIG. 4 is a bottom plan view, thereof;

FIG. 5 is a front elevational view, thereof; and,

FIG. 6 is a rear elevational view.



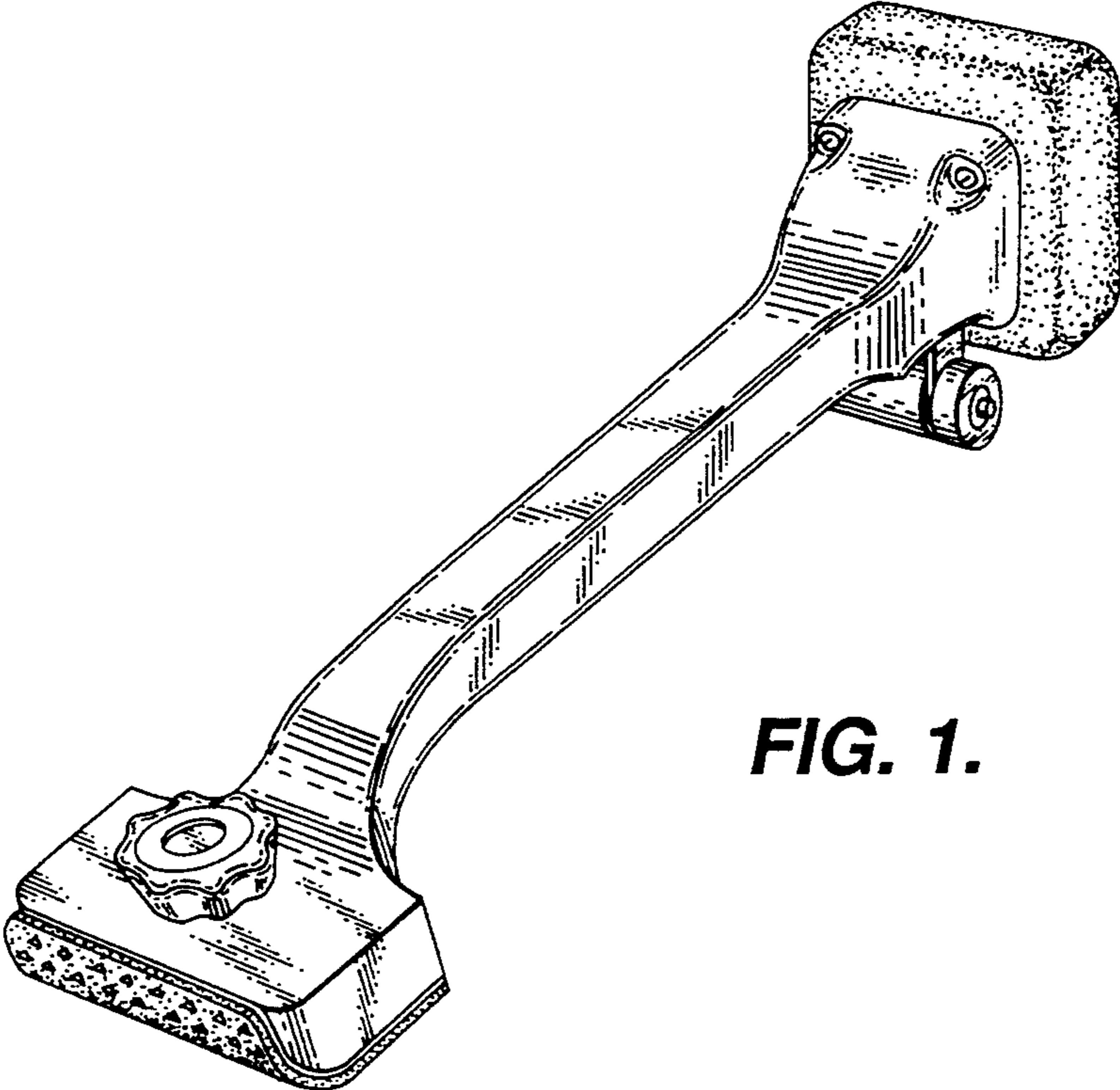


FIG. 1.

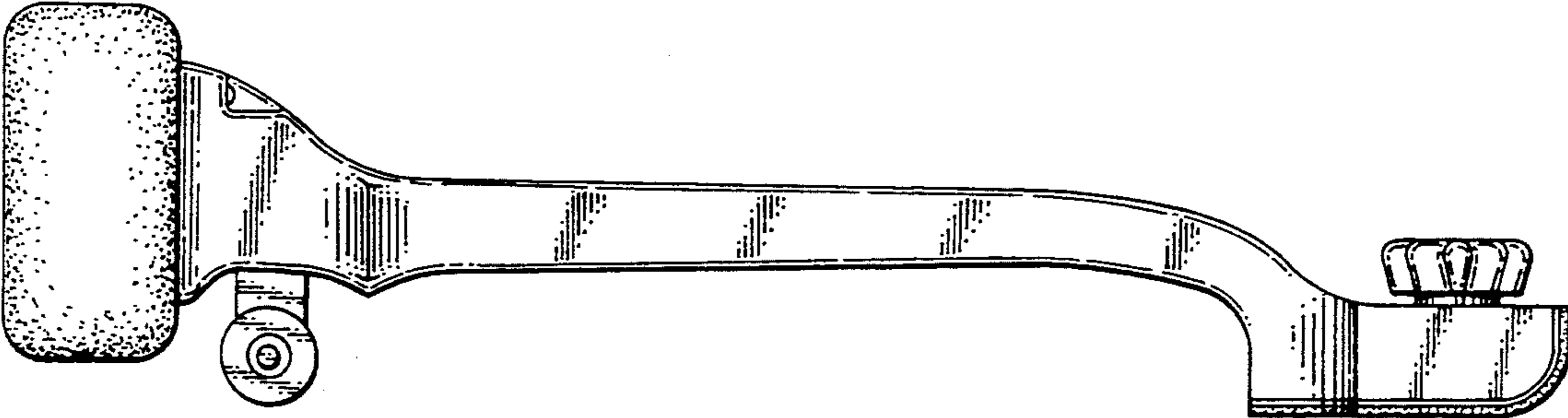


FIG. 2.

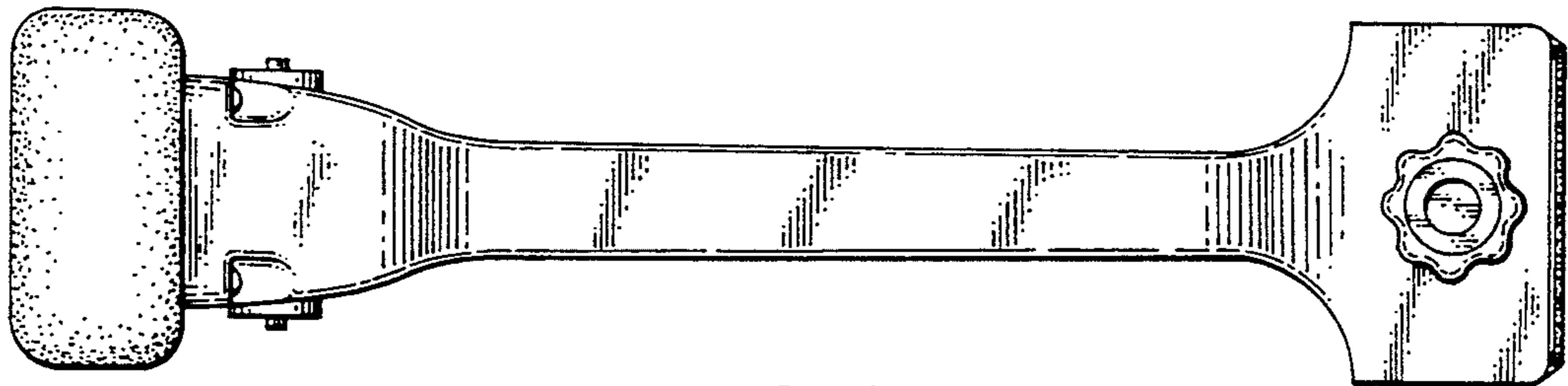


FIG. 3.

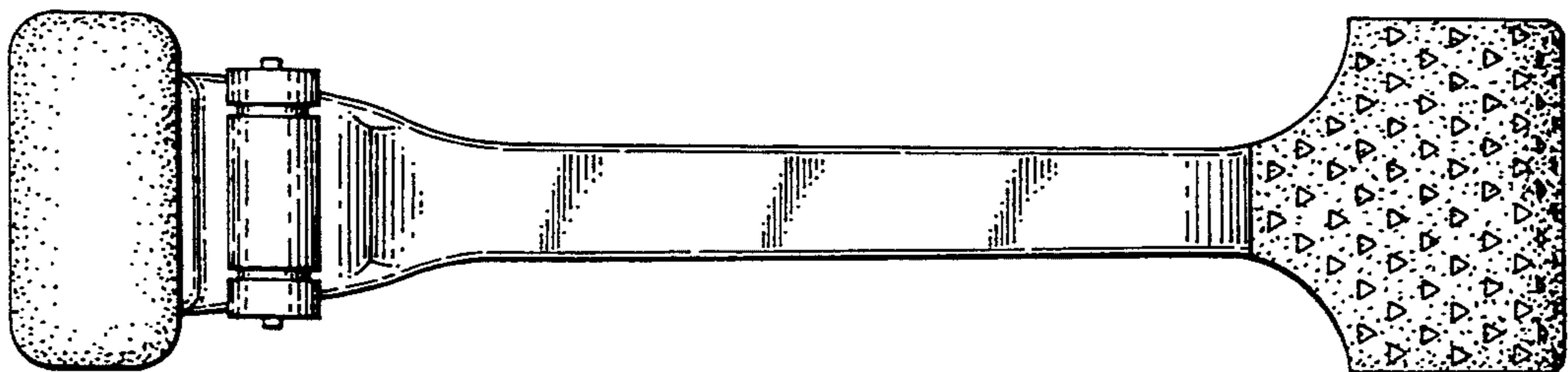


FIG. 4.

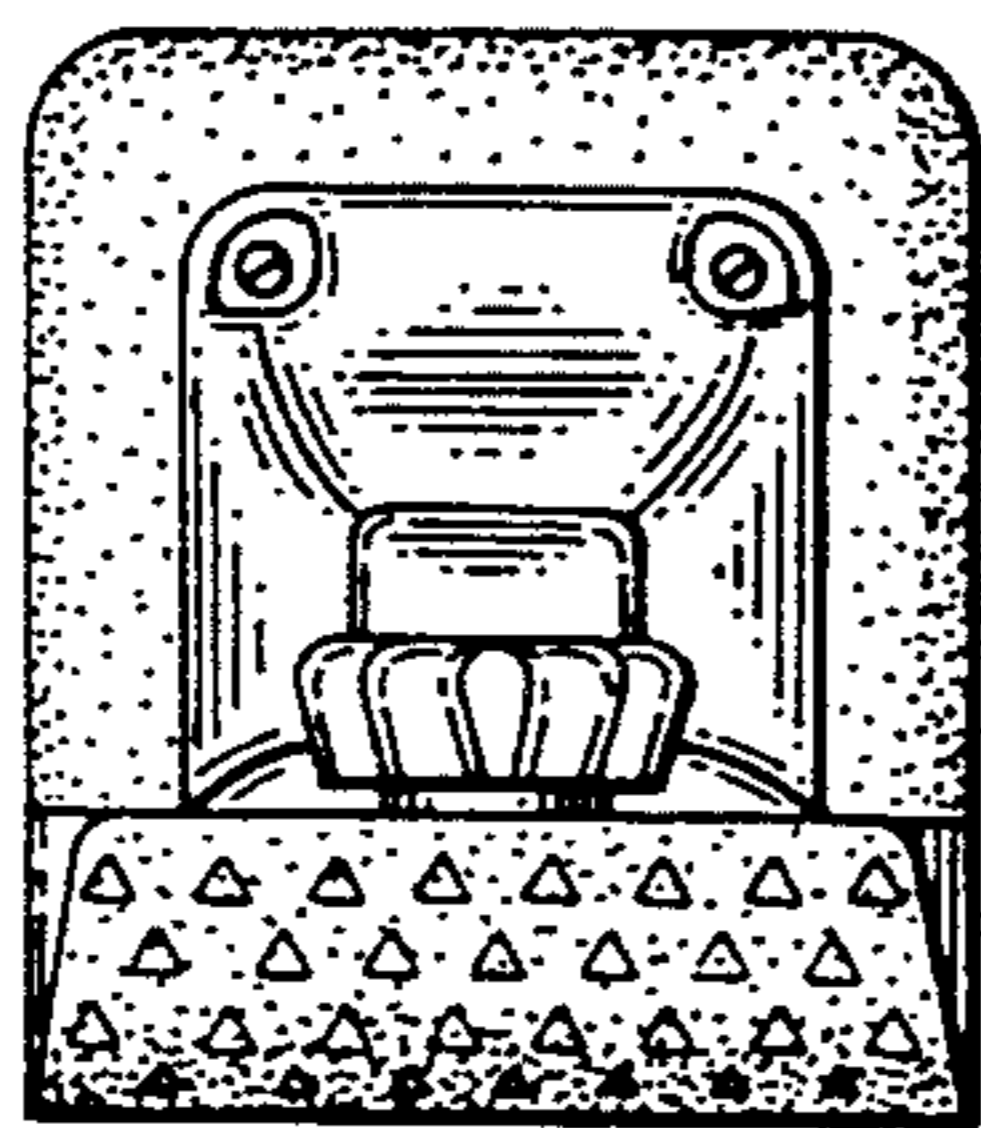


FIG. 5.

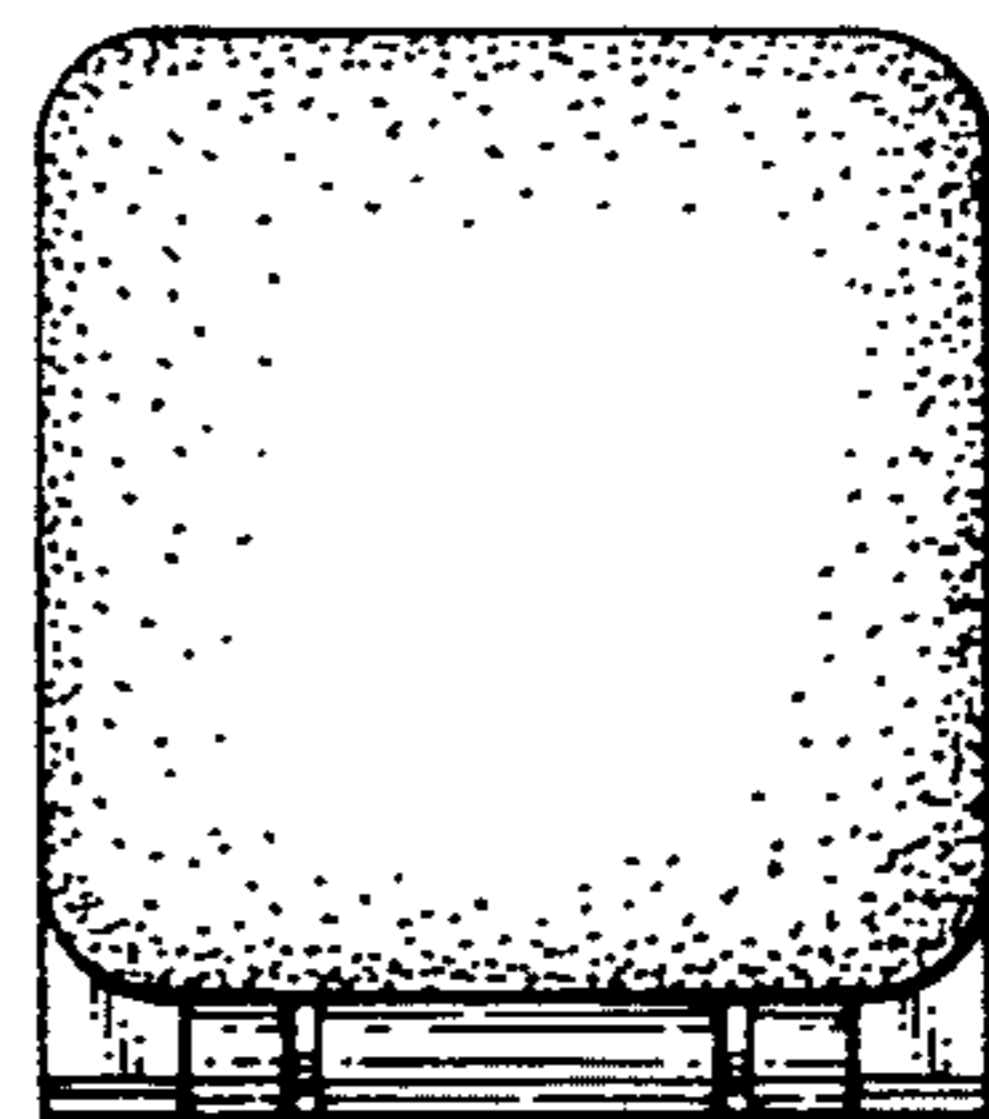


FIG. 6.