



US00D355820S

# United States Patent [19]

[11] Patent Number: **Des. 355,820**

**Tollison**

[45] Date of Patent: **\*\* Feb. 28, 1995**

[54] **FURROW GRADING IMPLEMENT**

2,773,318 12/1956 Hemsath et al. .... 172/371 X  
3,965,990 6/1976 Pittman ..... 172/375

[76] Inventor: **Marty R. Tollison**, Rte. 1 Box 4990,  
Pell City, Ala. 35125

*Primary Examiner*—Wallace R. Burke  
*Assistant Examiner*—H. Baynham

[\*\*] Term: **14 Years**

[57] **CLAIM**

[21] Appl. No.: **20,050**

The ornamental design for the furrow grading implement, as shown and described.

[22] Filed: **Mar. 18, 1994**

[52] U.S. Cl. .... **D8/11**

[58] Field of Search ..... D8/1, 7, 9, 11;  
172/371-372, 375-376; 7/114-116

**DESCRIPTION**

[56] **References Cited**

**U.S. PATENT DOCUMENTS**

D. 19,562 1/1890 Douglas ..... D8/11  
D. 60,259 1/1922 Plantinga ..... D8/11  
2,315,074 3/1943 Olsen ..... 172/371

FIG. 1 is a front elevational view of the furrow grading implement showing my new design;  
FIG. 2 is a rear elevational view thereof;  
FIG. 3 is a left side elevational view thereof;  
FIG. 4 is a right side elevational view thereof;  
FIG. 5 is a top plan view thereof; and,  
FIG. 6 is a bottom plan view thereof.

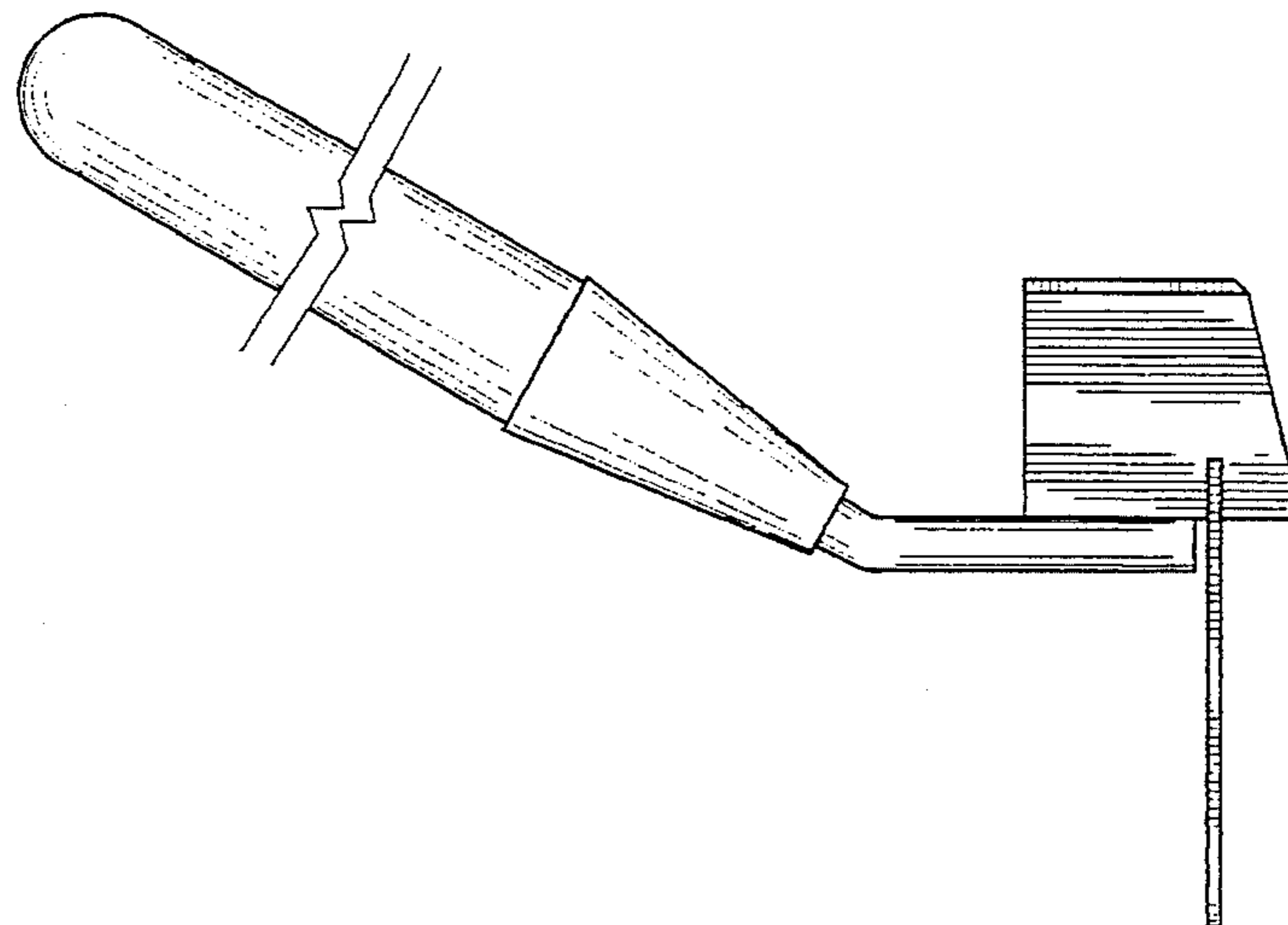
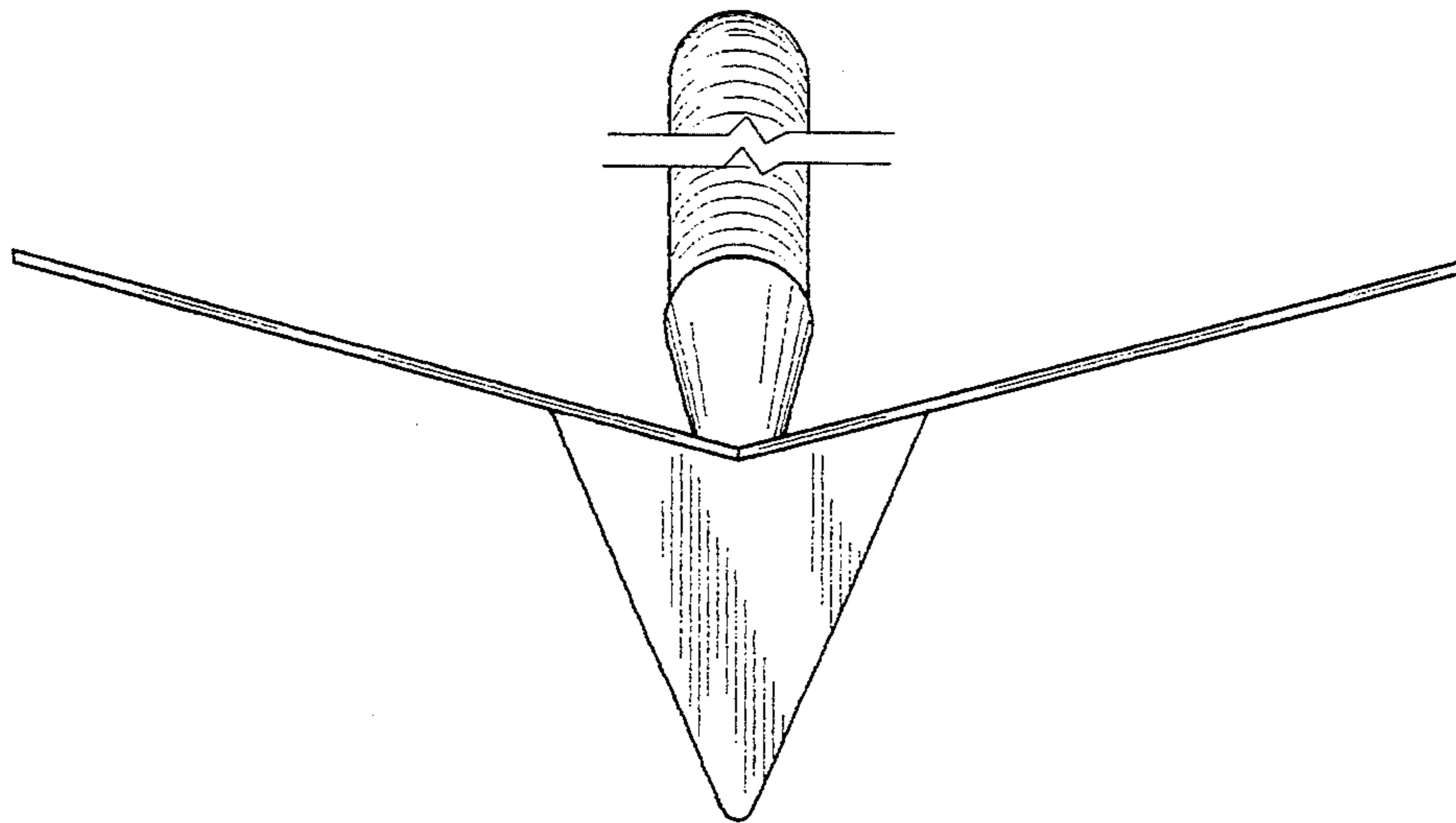


FIG. 1

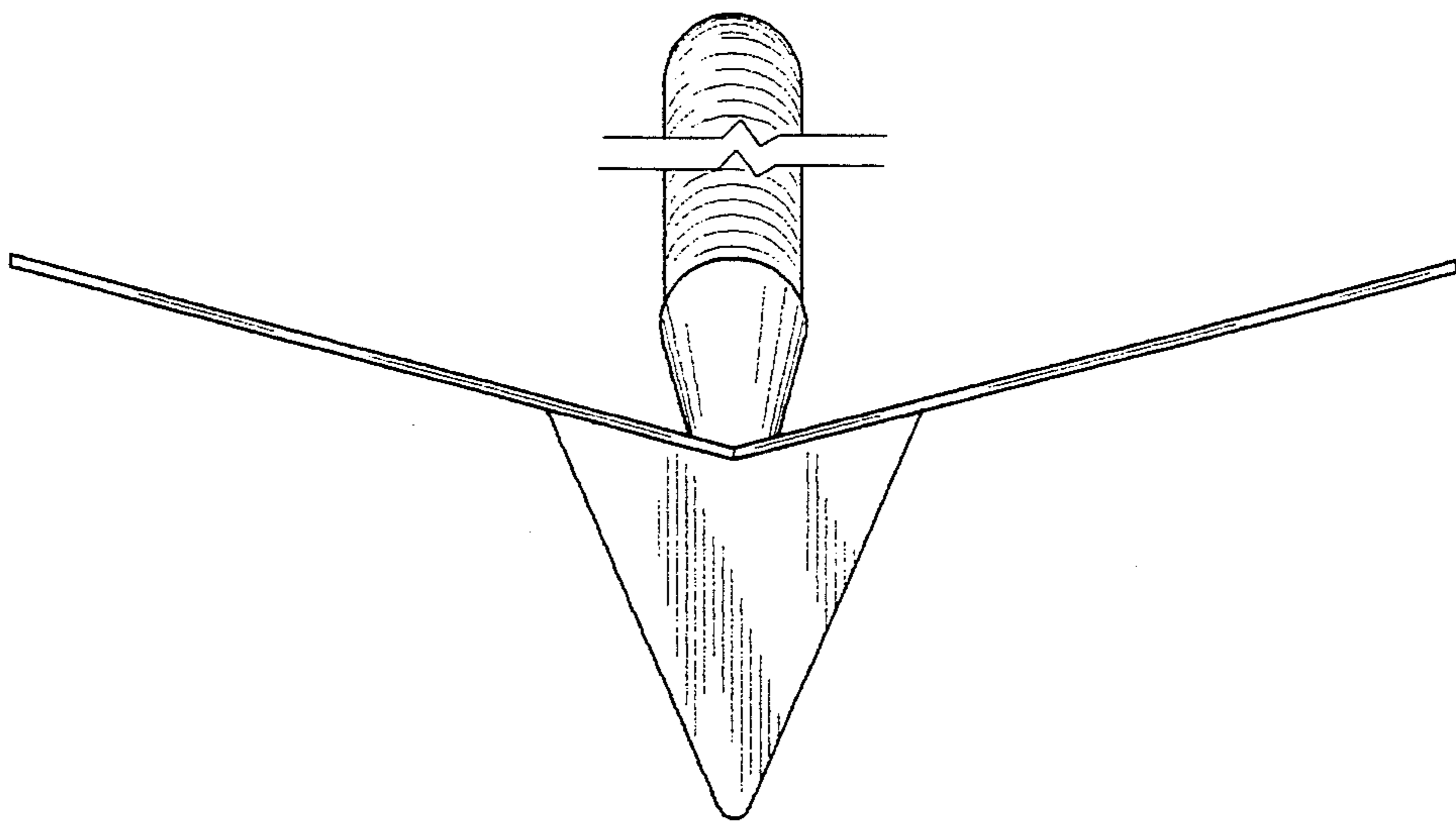


FIG. 2

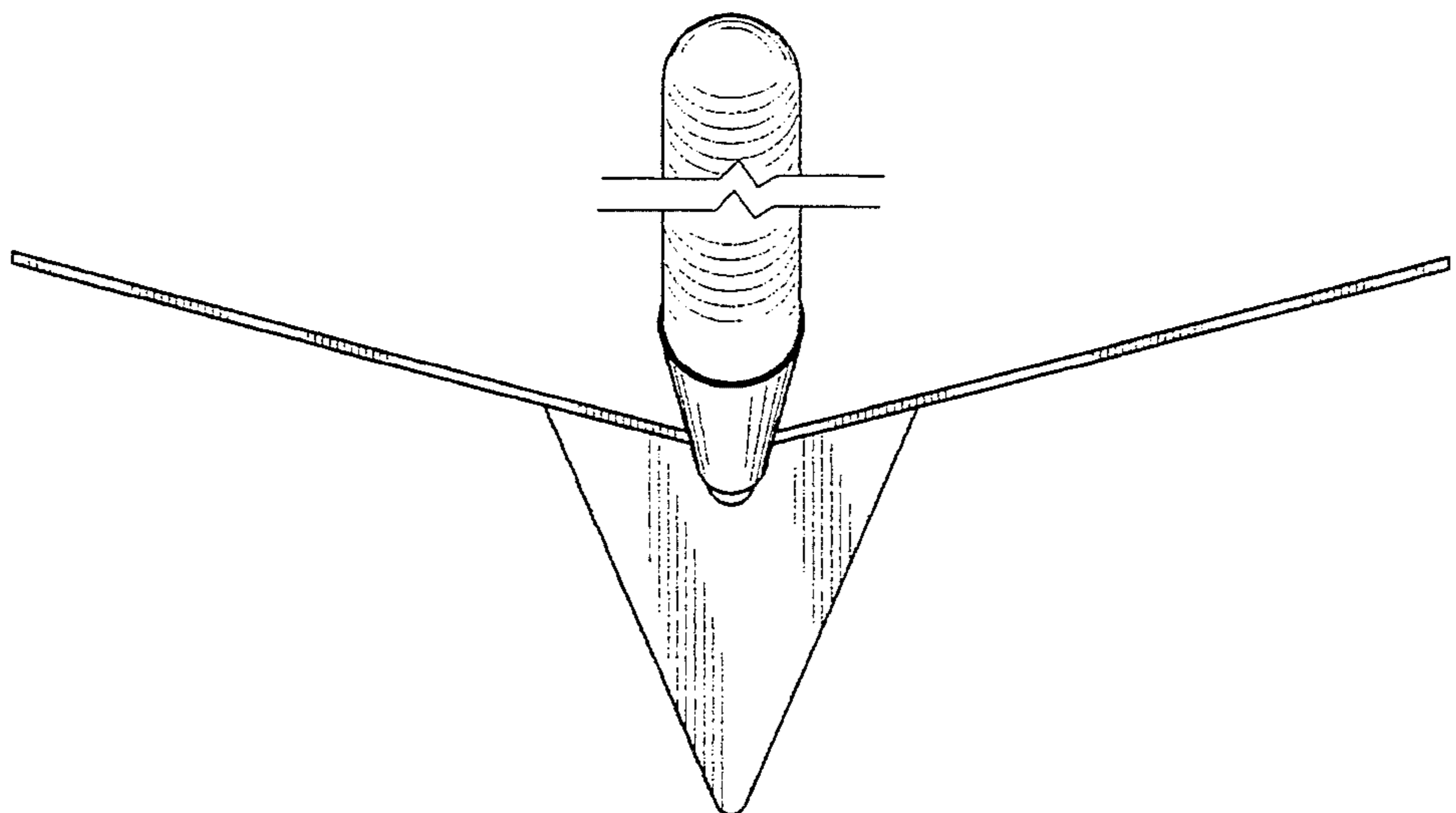


FIG. 3

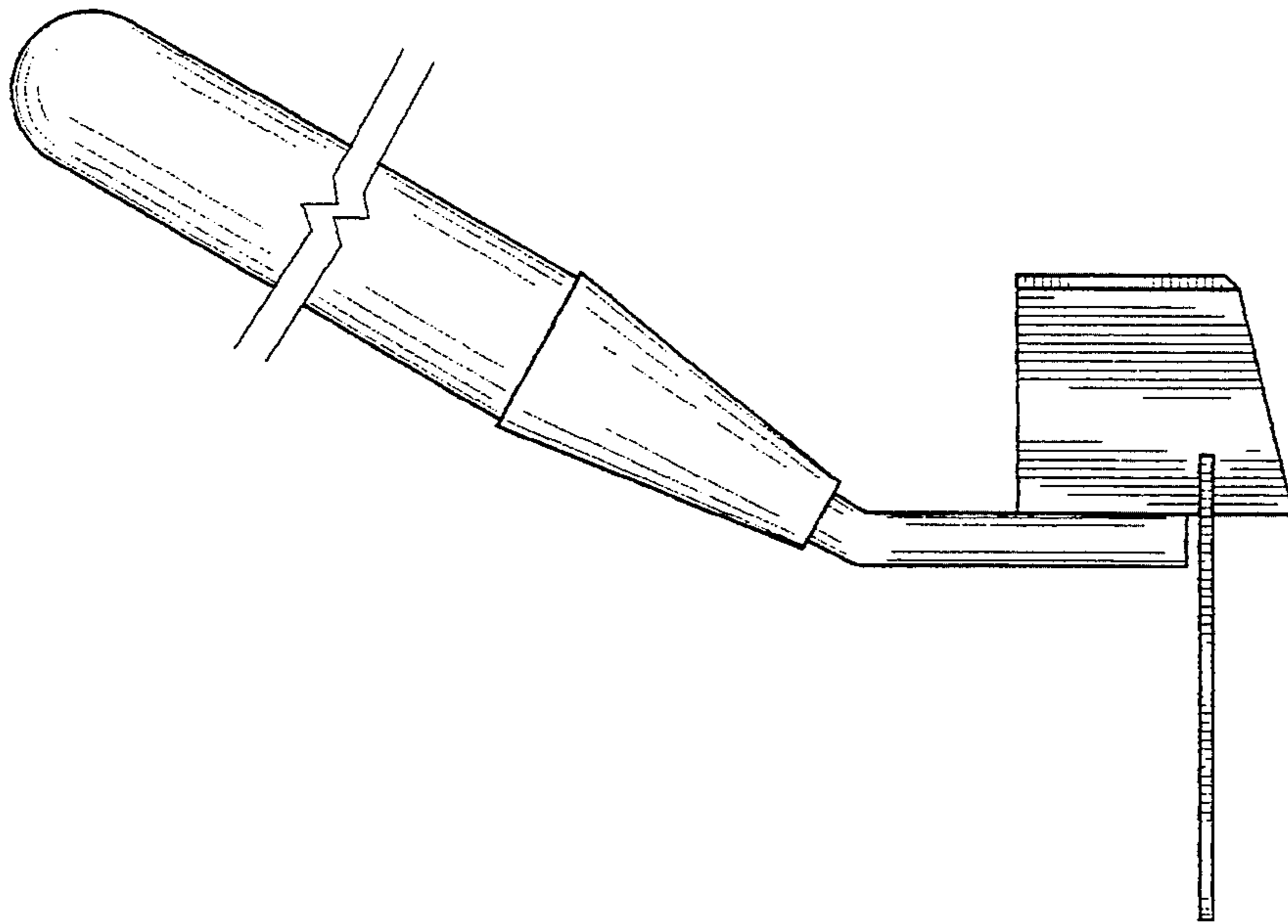


FIG. 4

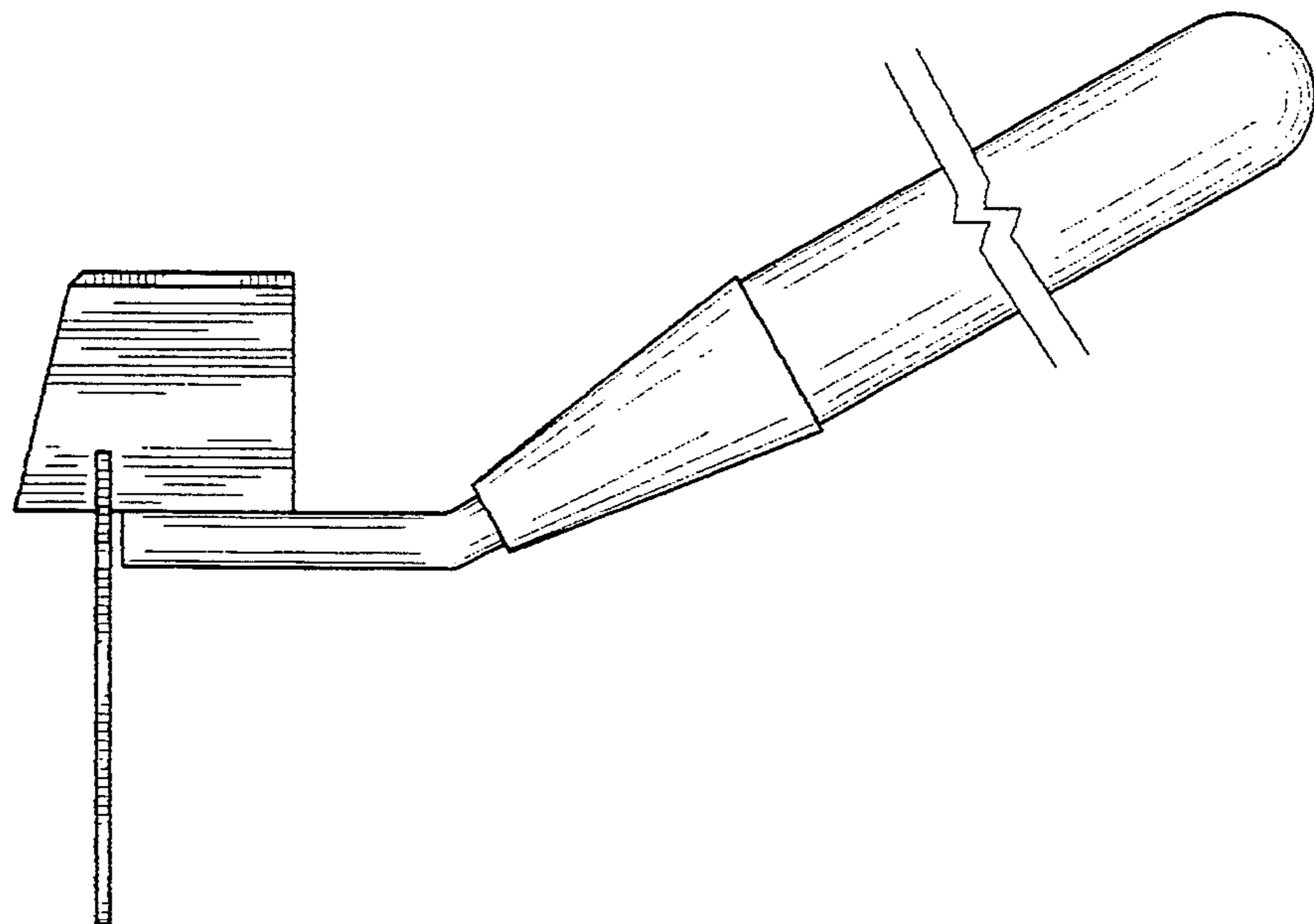


FIG. 5

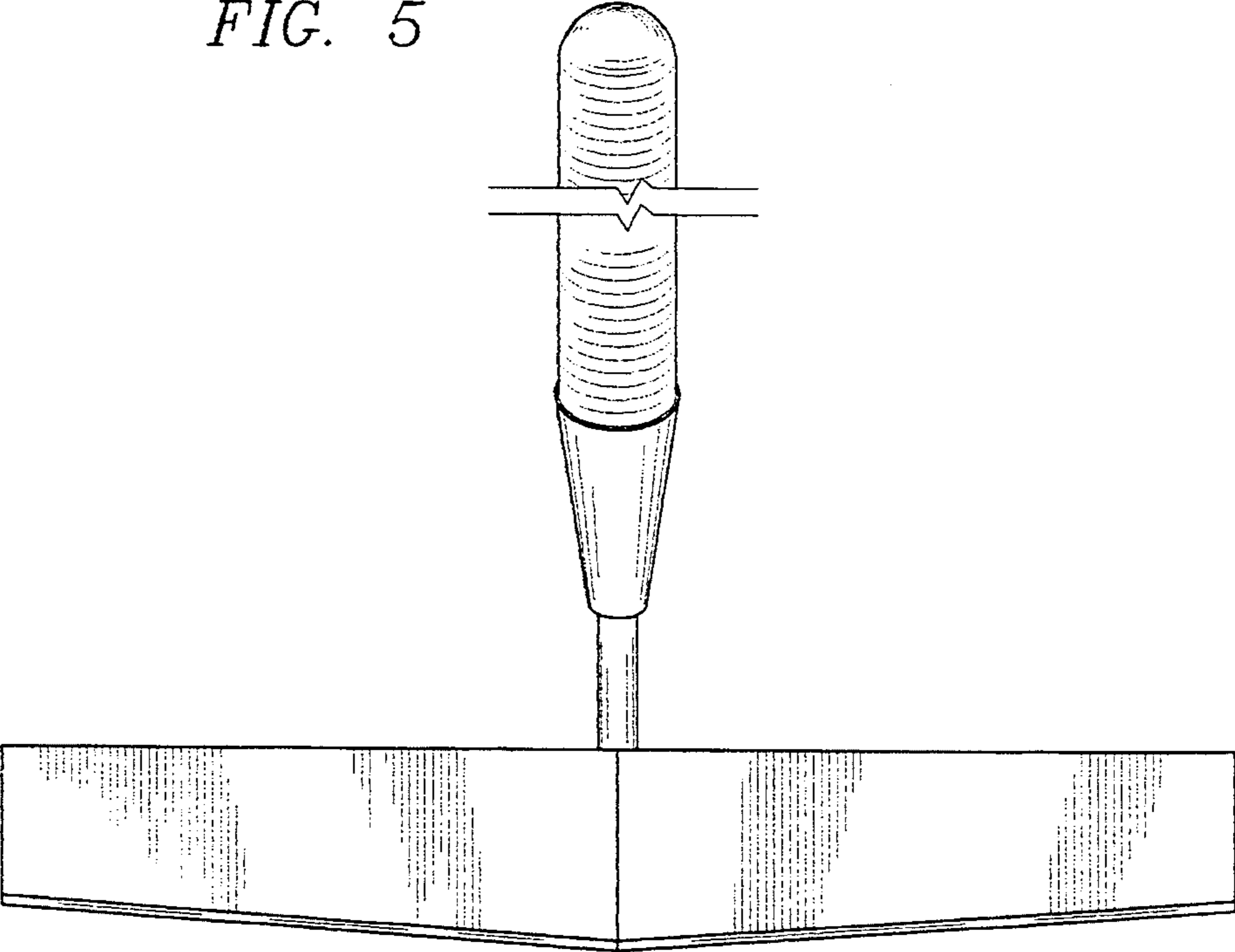


FIG. 6

