



US00D355816S

United States Patent [19]

[11] Patent Number: **Des. 355,816**

Ash

[45] Date of Patent: **** Feb. 28, 1995**

[54] **TRIMMER ATTACHMENT**

5,225,486 7/1993 Naiser 56/12.1 x

[76] Inventor: **Stephen C. Ash**, 130 E. Iris Ave.,
McAllen, Tex. 78501

Primary Examiner—James M. Gandy
Assistant Examiner—H. Baynham

[**] Term: **14 Years**

[57] **CLAIM**

[21] Appl. No.: **15,412**

The ornamental design for a trimmer attachment, as shown.

[22] Filed: **Nov. 17, 1993**

DESCRIPTION

[52] U.S. Cl. **D8/1**

[58] Field of Search **D8/1, 7; 172/13, 371; 56/12**

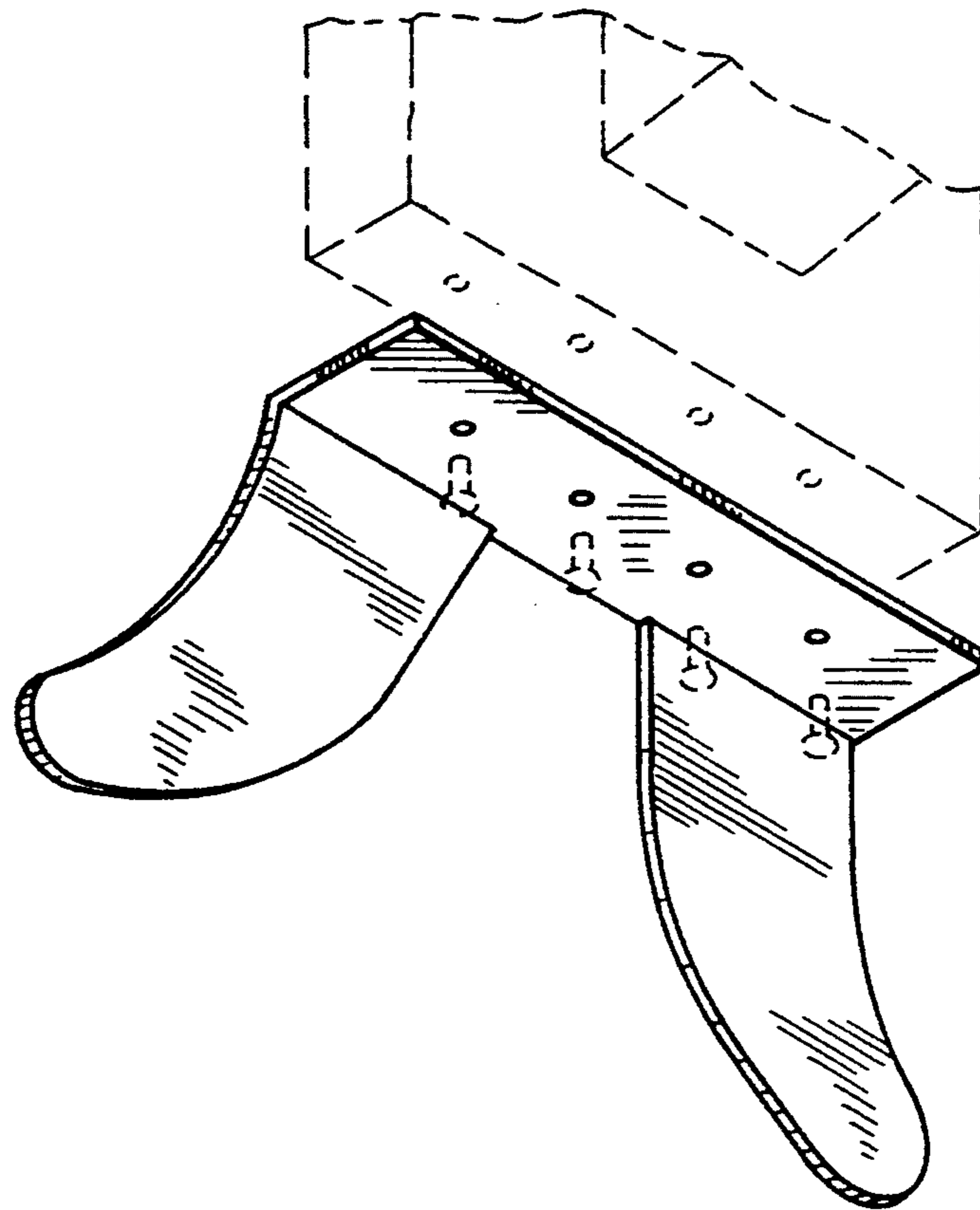
FIG. 1 is a perspective view of a trimmer attachment; FIG. 2 is a top plan view thereof; FIG. 3 is a side elevational view thereof with the opposite side being a mirror image; and, FIG. 4 is a bottom plan view thereof.

[56] **References Cited**

U.S. PATENT DOCUMENTS

1,139,978 5/1915 Imhof 172/13
4,351,395 9/1982 Lilley 172/371 X

The broken line showing of a portion of a trimmer and bolts is for illustrative purposes only and forms no part of the claimed design.



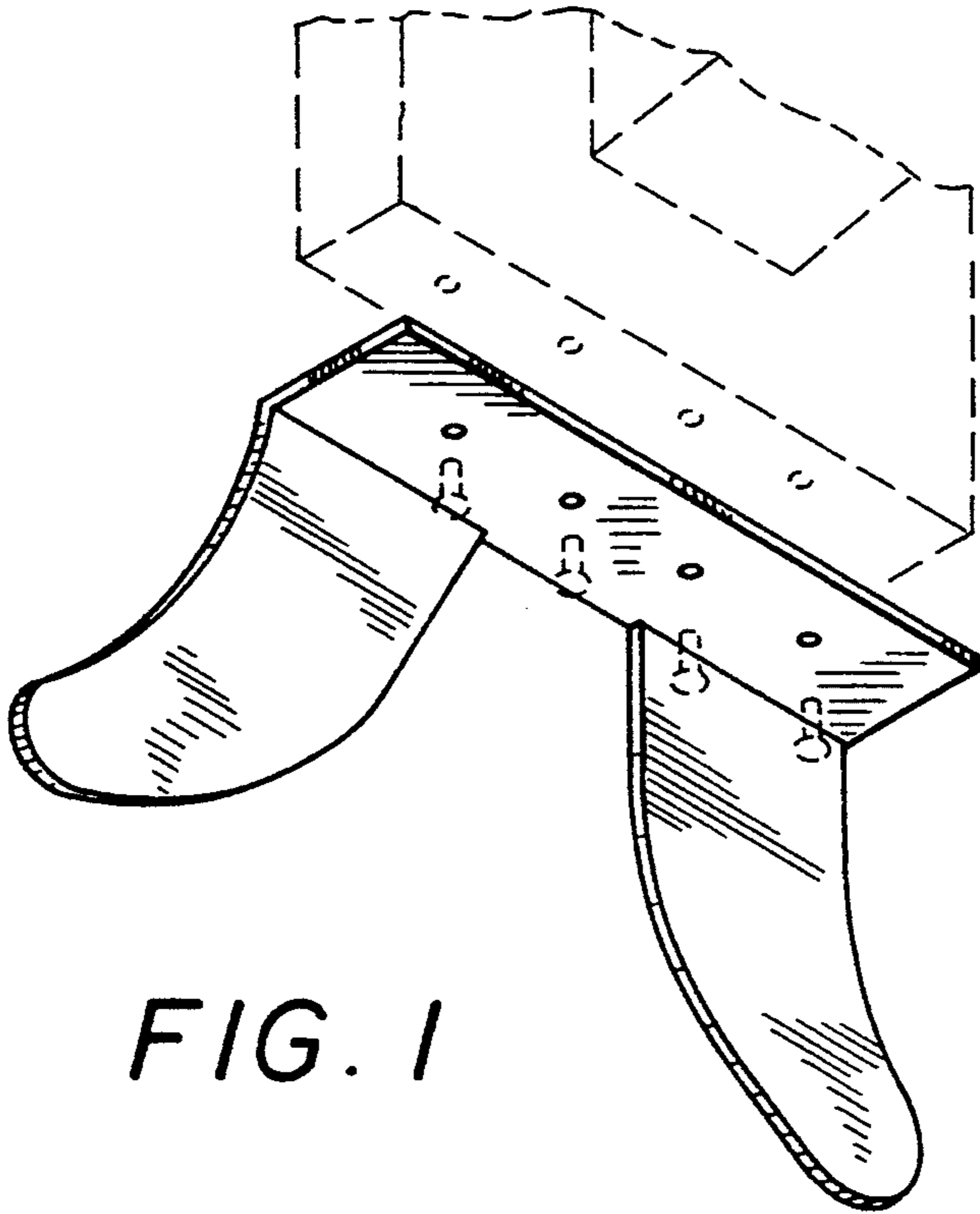


FIG. 1



FIG. 3

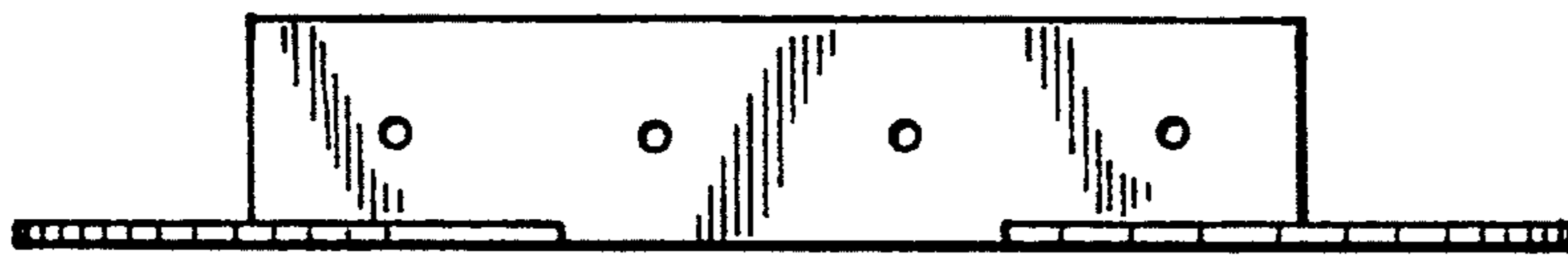


FIG. 4

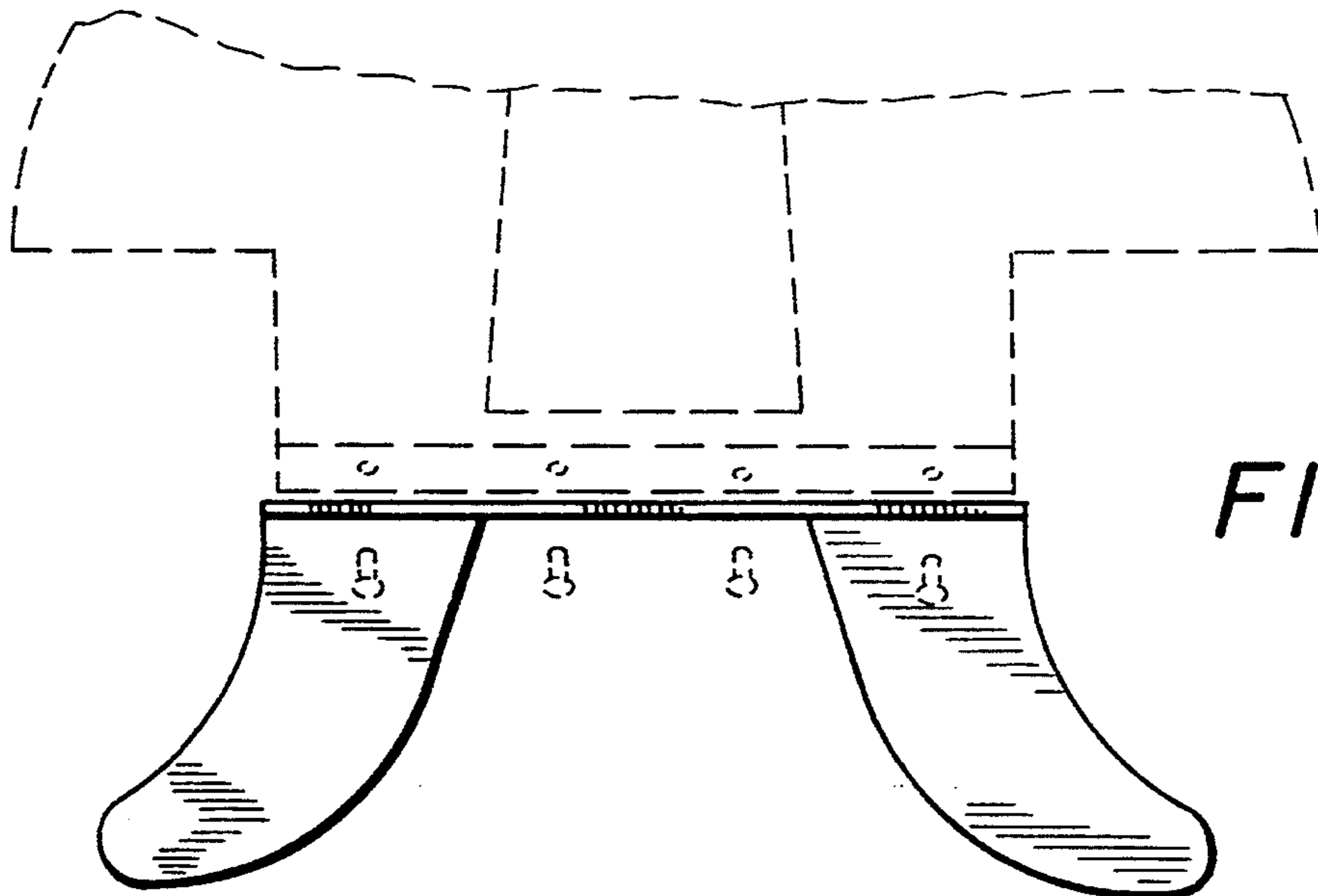


FIG. 2