



US00D355813S

United States Patent [19]

[11] Patent Number: **Des. 355,813**

Vance

[45] Date of Patent: **** Feb. 28, 1995**

[54] **COOLER**

D. 347,970 6/1994 Wright D7/606

[76] Inventor: **David K. Vance**, 1215 Apt. #306,
Kelston Pl., Charlotte, N.C. 28212

Primary Examiner—Terry A. Wallace
Attorney, Agent, or Firm—Ralph H. Dougherty

[**] Term: **14 Years**

[57] **CLAIM**

[21] Appl. No.: **11,322**

The ornamental design for a cooler, as shown and described.

[22] Filed: **Aug. 2, 1993**

DESCRIPTION

[52] U.S. Cl. **D7/606**

[58] Field of Search D7/605-608,
D7/709-710; 62/457.1, 457.5, 457.7, 372;
220/412

FIG. 1 is a left side elevational view of a cooler showing my new design;

FIG. 2 is a left side elevational view thereof with the handle in an up position;

FIG. 3 is a perspective view thereof with the handle removed for clarity of illustration;

FIG. 4 is a front elevational view thereof; and,

FIG. 5 is a rear elevational view thereof.

The undisclosed right side view is a mirror image to the left side.

The undisclosed bottom view is unornamented.

[56] **References Cited**

U.S. PATENT DOCUMENTS

- D. 299,898 2/1989 Pashley D7/710
- D. 324,306 3/1992 Lin D7/710 X
- D. 330,663 11/1992 Copeland D7/710
- D. 340,167 10/1993 Kahl D7/605

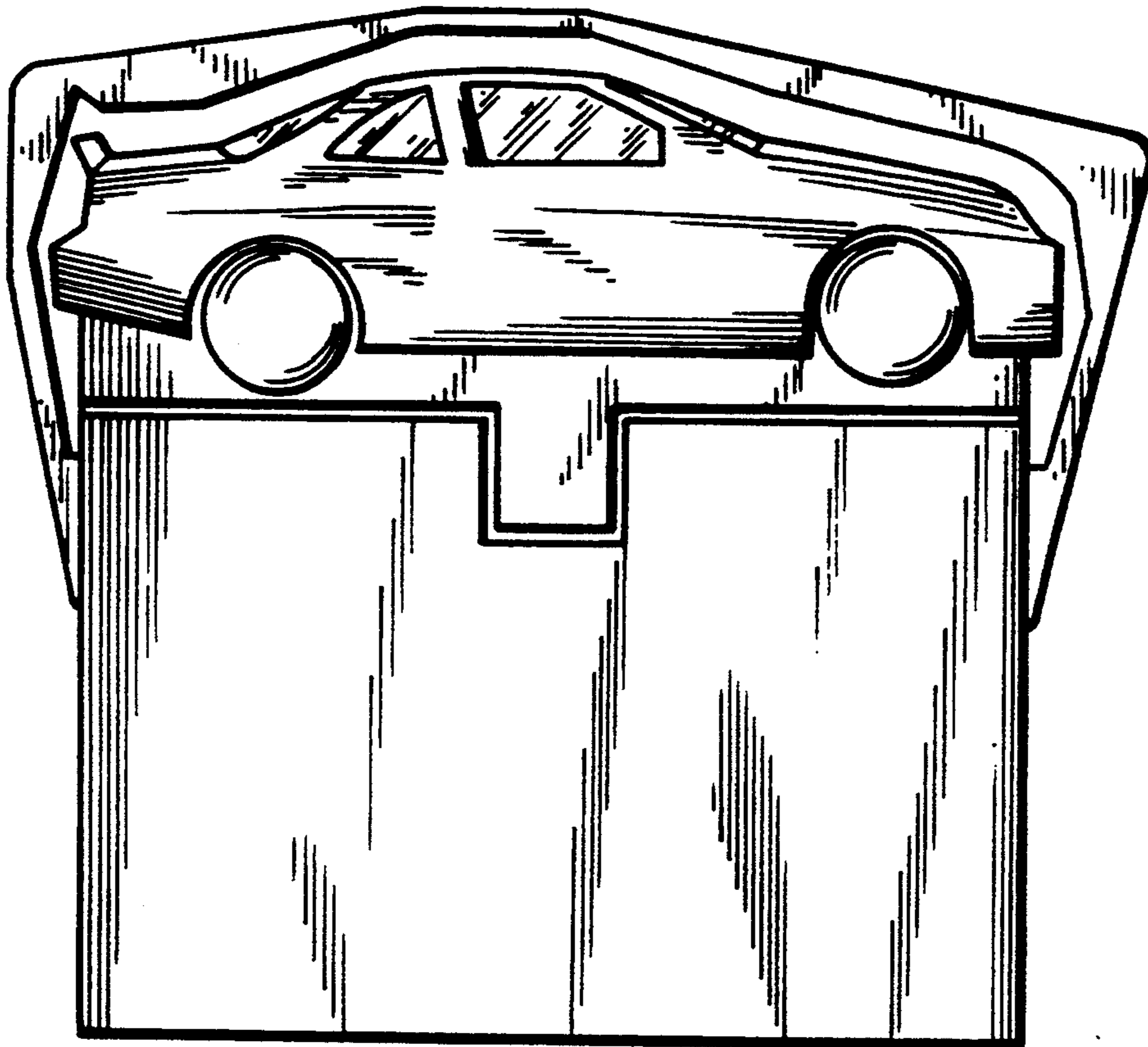


Fig. 1

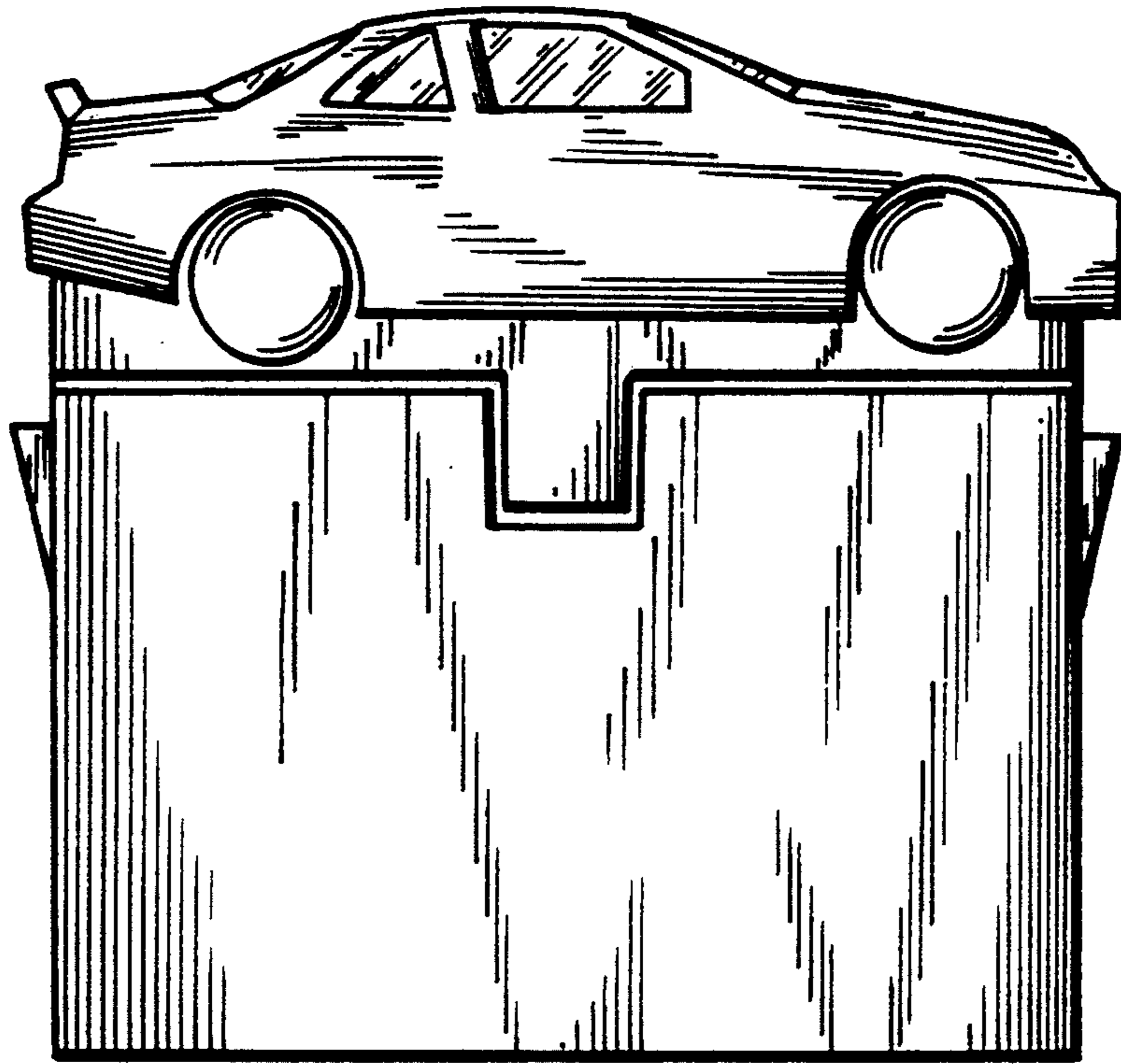


Fig. 2

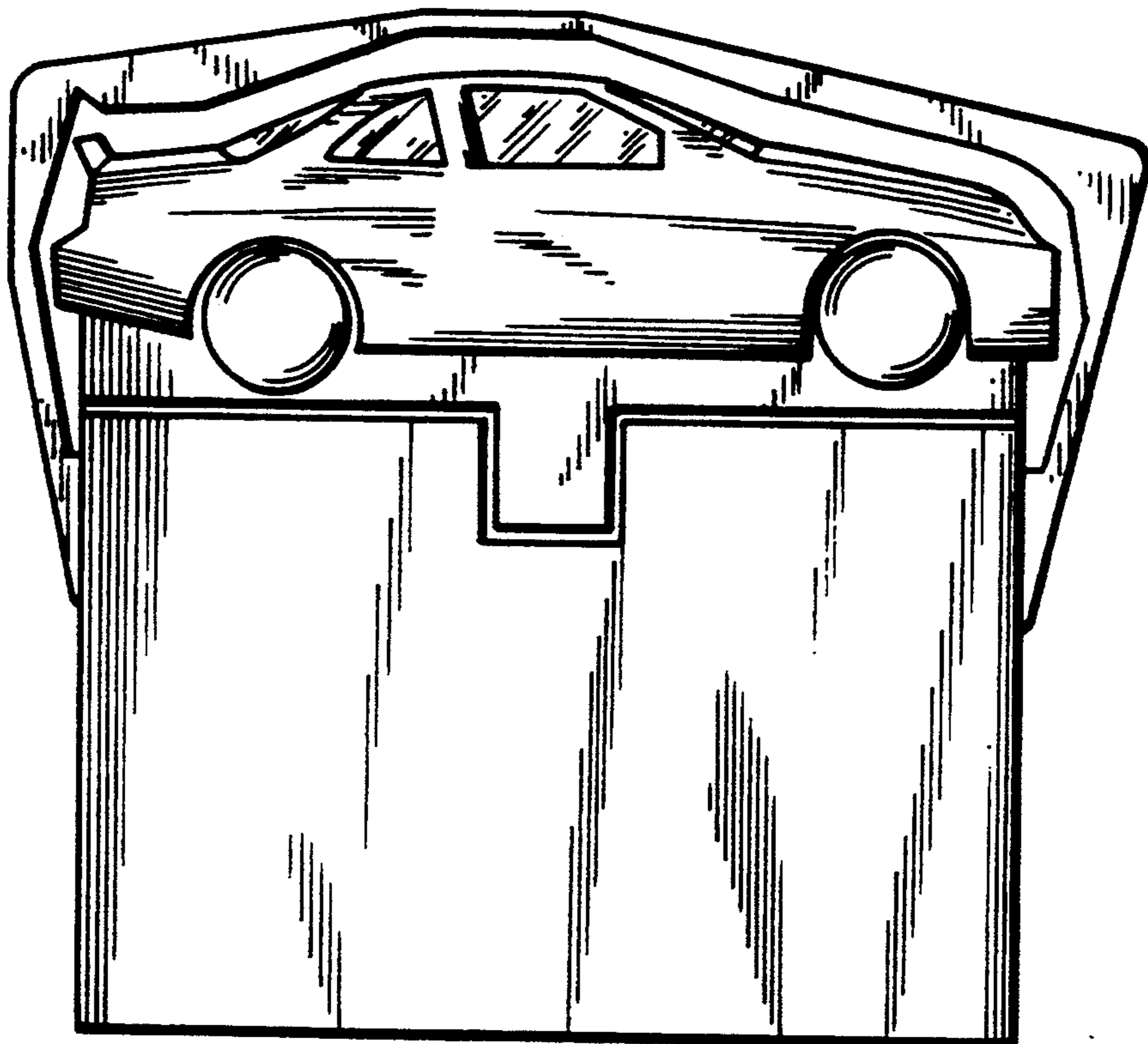


Fig. 3

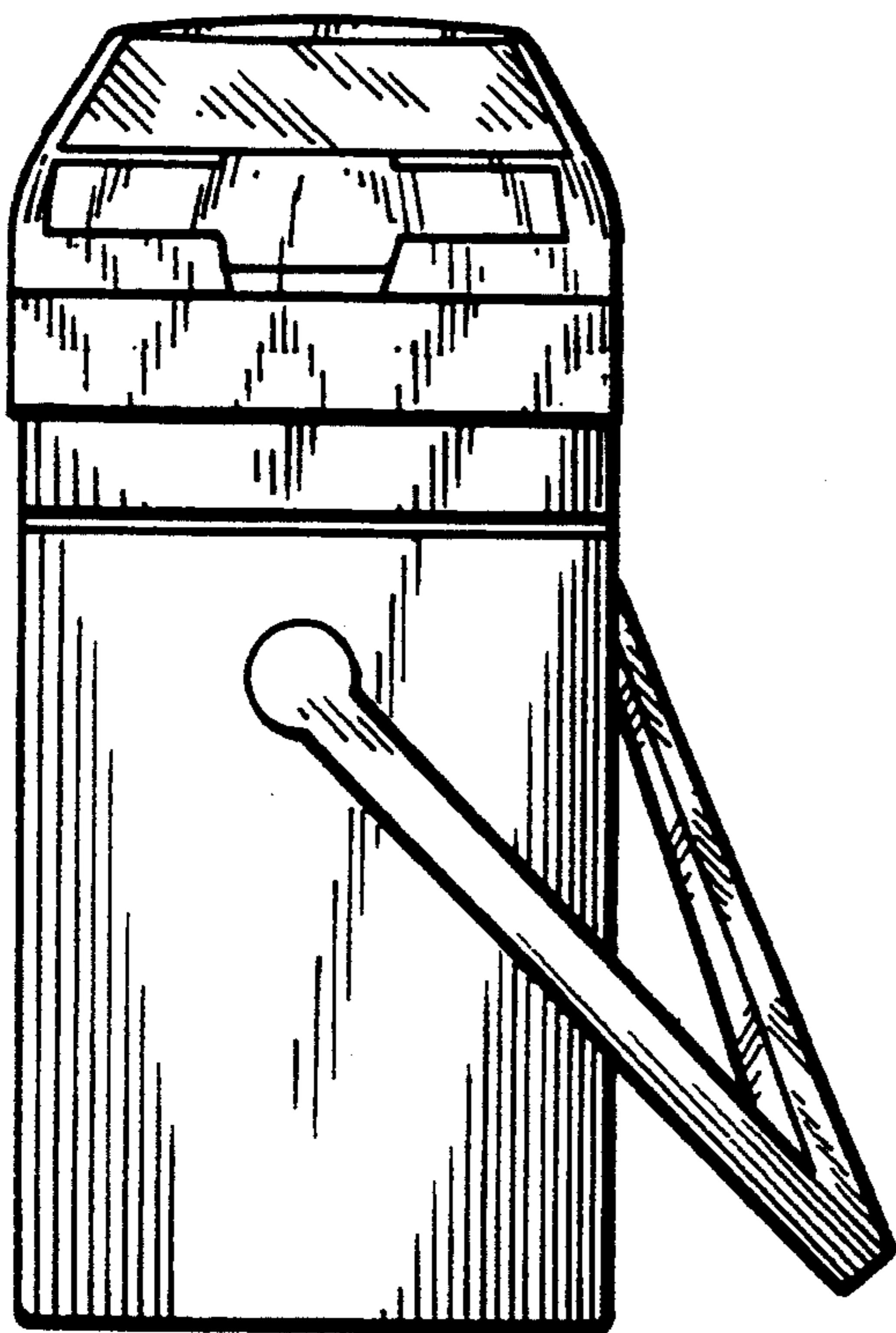
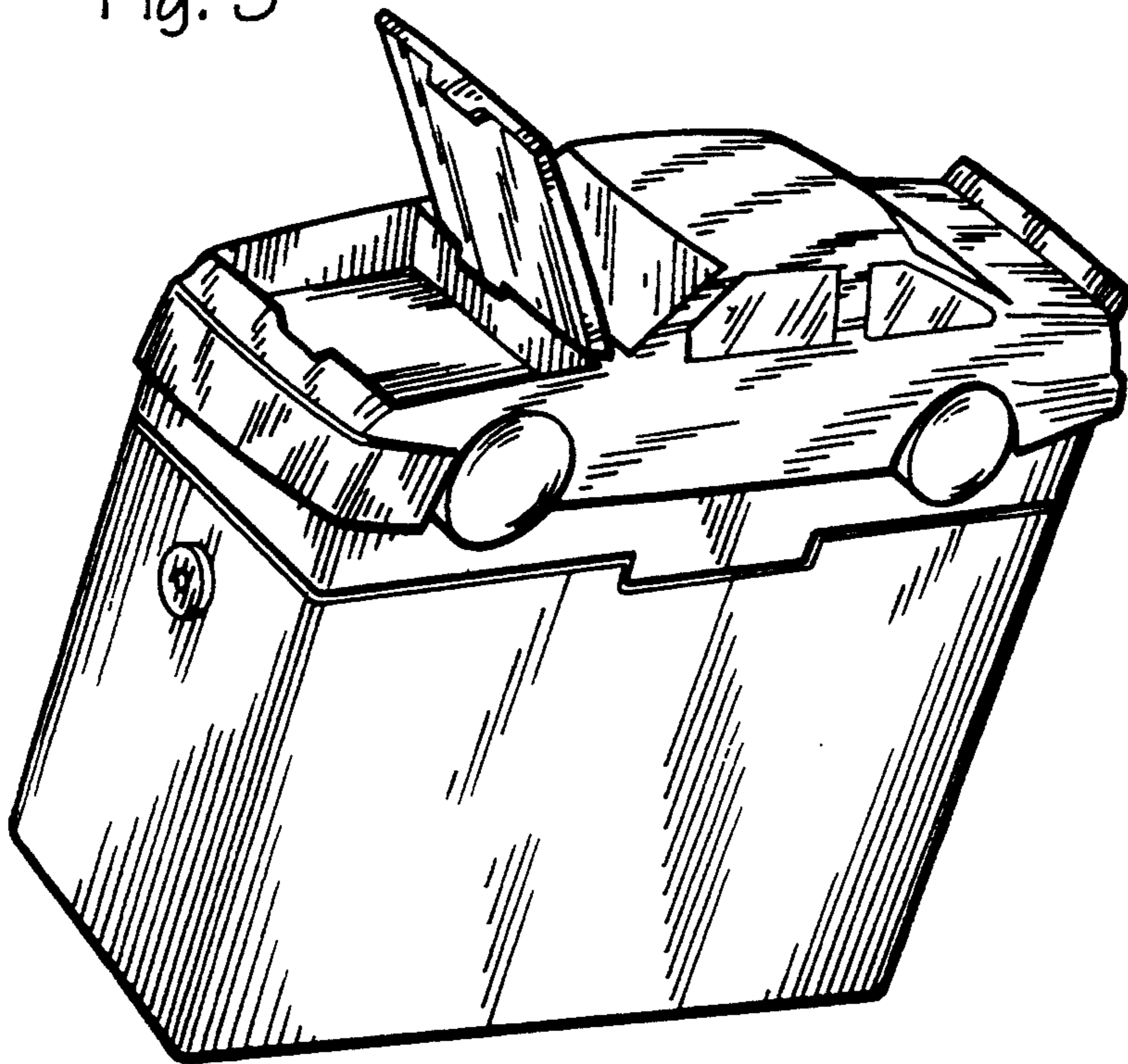


Fig. 4

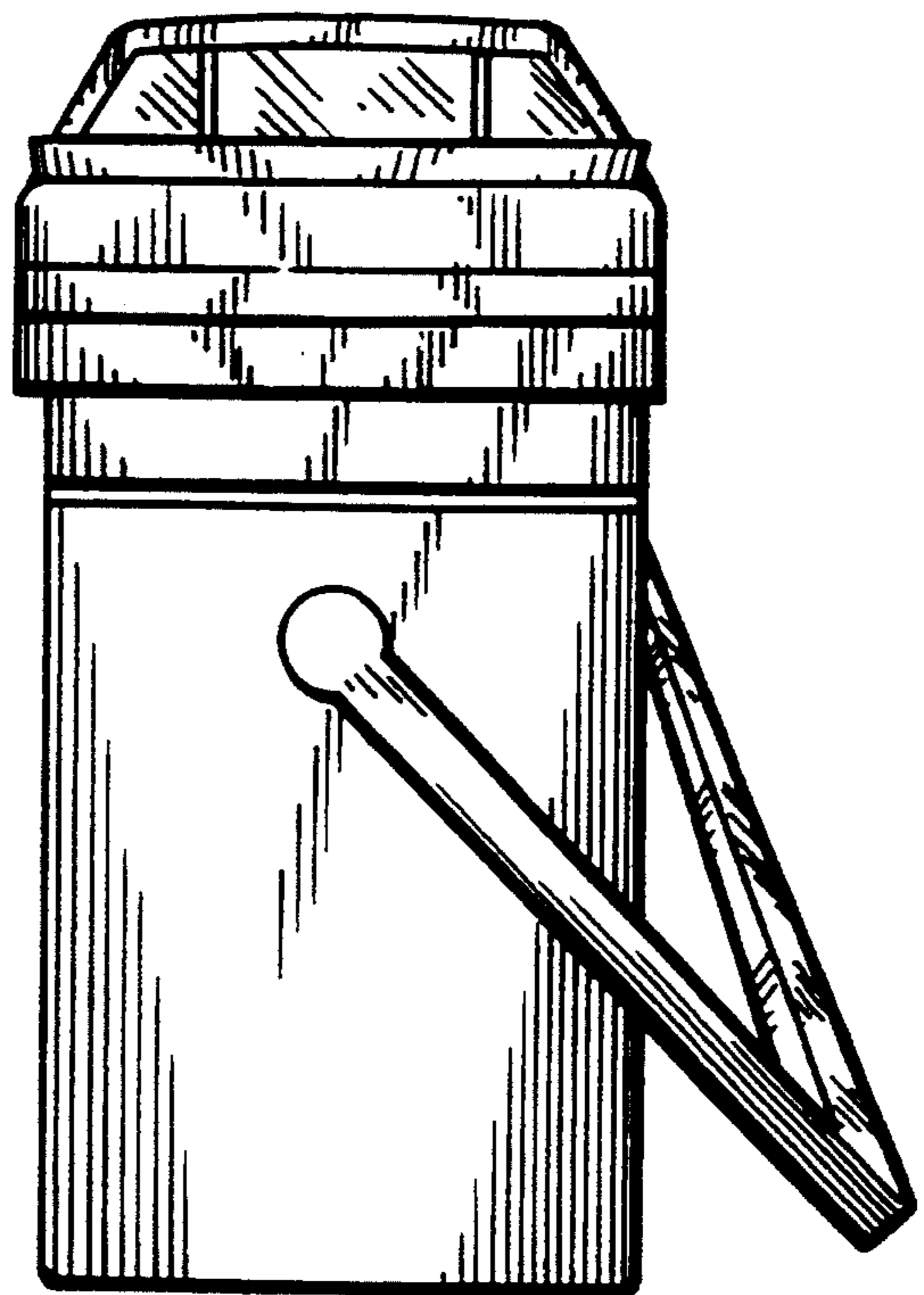


Fig. 5