



US00D355809S

United States Patent [19]

[11] Patent Number: **Des. 355,809**

Kothrade

[45] Date of Patent: **** Feb. 28, 1995**

[54] **BACKPACKER'S LIQUID FUEL STOVE**

[75] Inventor: **Rolf Kothrade**, Weinfelden, Switzerland

[73] Assignee: **Aktiengesellschaft SIGG Aluminium-und Metallwarenfabrik**, Frauenfeld, Switzerland

[**] Term: **14 Years**

[21] Appl. No.: **5,288**

[22] Filed: **Mar. 1, 1993**

[30] **Foreign Application Priority Data**

Sep. 1, 1992 [CH] Switzerland DM/023.791

[52] U.S. Cl. **D7/337**

[58] Field of Search D7/332, 337, 402, 407; 126/25 R, 25 A, 25 AA, 29-30, 9 R, 38, 39 E, 40

[56] **References Cited**

U.S. PATENT DOCUMENTS

- D. 184,450 2/1959 Morton D7/337
- D. 196,018 5/1963 Palmer et al. D7/337
- D. 229,013 11/1973 Storandt D7/332
- D. 229,277 11/1973 Ming-Kong D7/337
- D. 244,985 7/1977 Folke D7/337

- D. 246,151 10/1977 Chan D7/337
- D. 249,113 8/1978 Folke D7/337
- D. 249,448 9/1978 Vache D7/337
- D. 273,264 4/1984 Elliston D7/332
- D. 296,649 7/1988 Napier D7/407
- 4,643,164 2/1987 LaForge 126/38

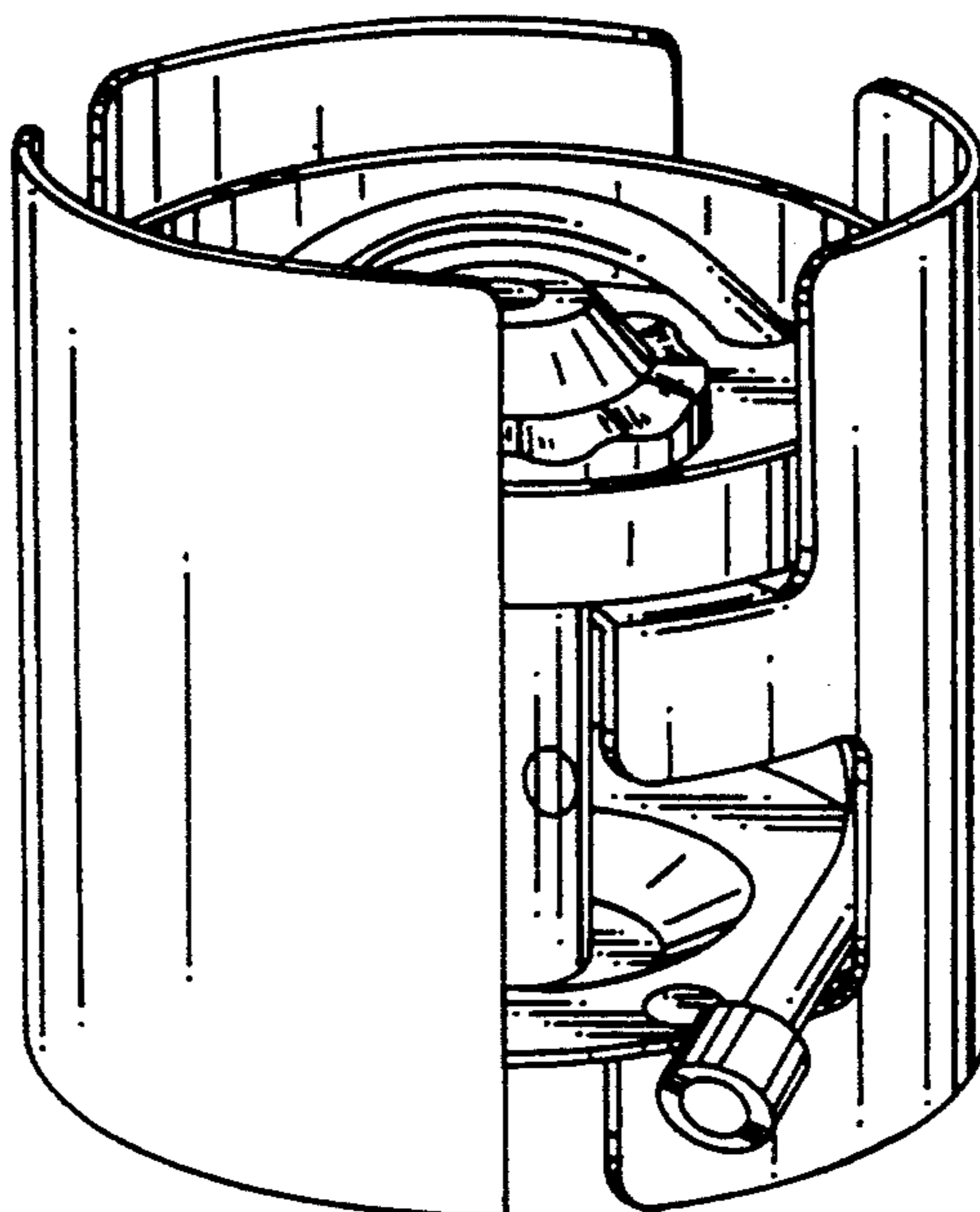
Primary Examiner—Ruth McInroy
Attorney, Agent, or Firm—Cushman Darby & Cushman

[57] **CLAIM**

The ornamental design for a backpacker's liquid fuel stove, as shown.

DESCRIPTION

FIG. 1 is a perspective view of a backpacker's liquid fuel stove showing my new design from the front and top with the legs thereof unfolded to an open position; FIG. 2 is a perspective view thereof from the front and bottom; FIG. 3 is a perspective view thereof from the front and top, with the legs thereof folded to a closed position; FIG. 4 is a bottom plan view thereof; FIG. 5 is a left side elevational view thereof; FIG. 6 is a front elevational view thereof; FIG. 7 is a right side elevational view thereof; FIG. 8 is a rear elevational view thereof; and, FIG. 9 is a top plan view thereof.



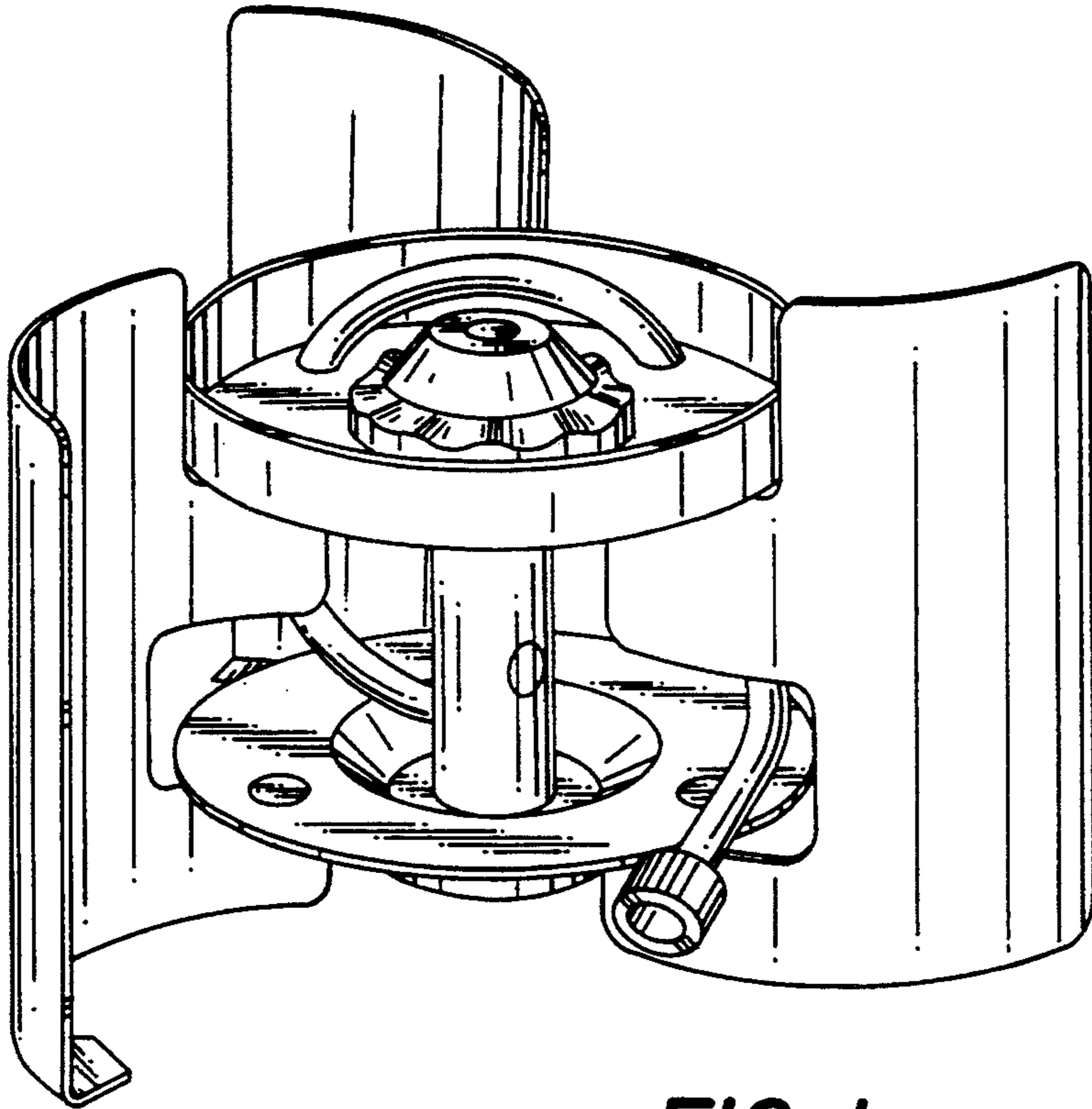


FIG. 1

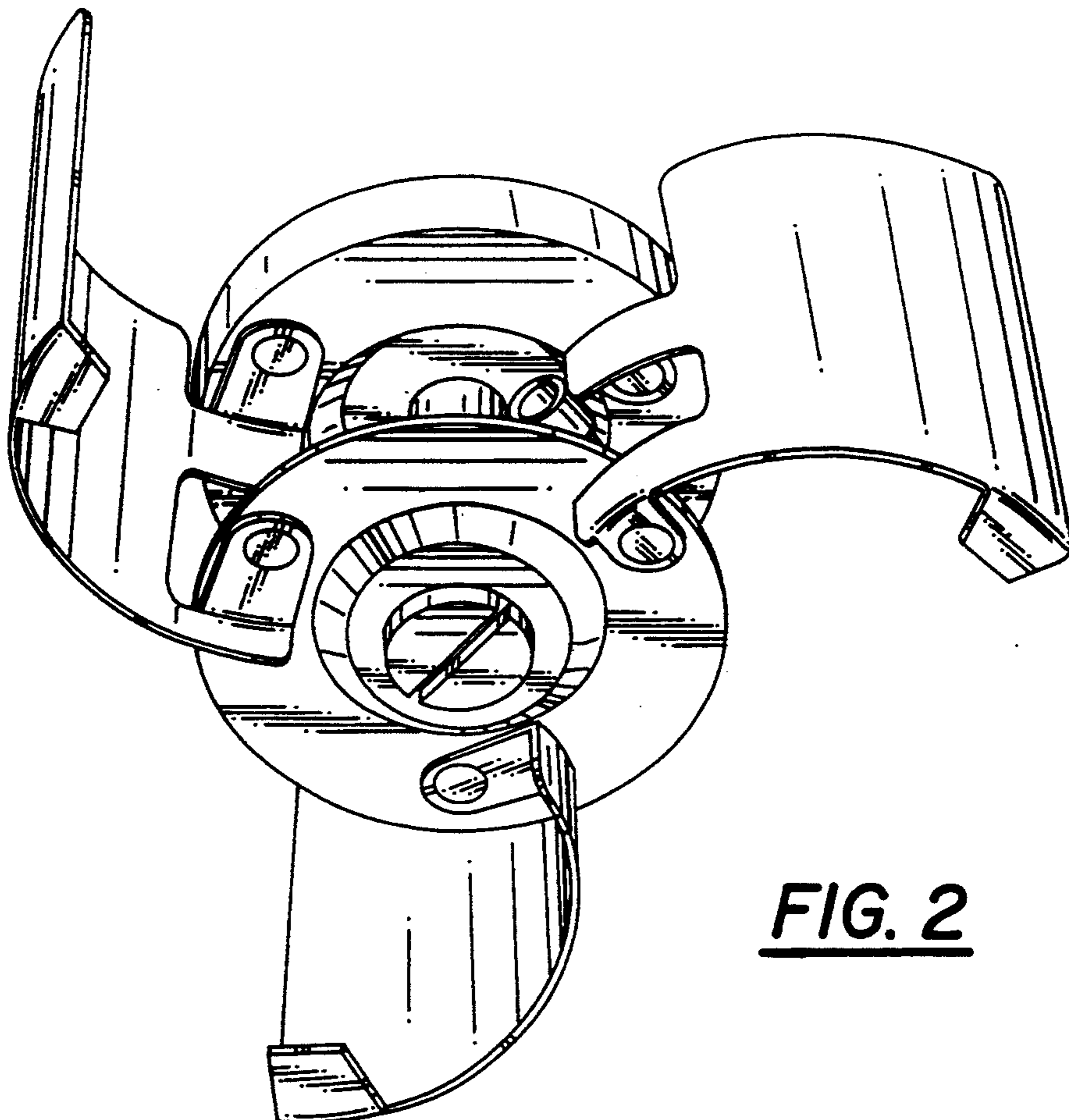


FIG. 2

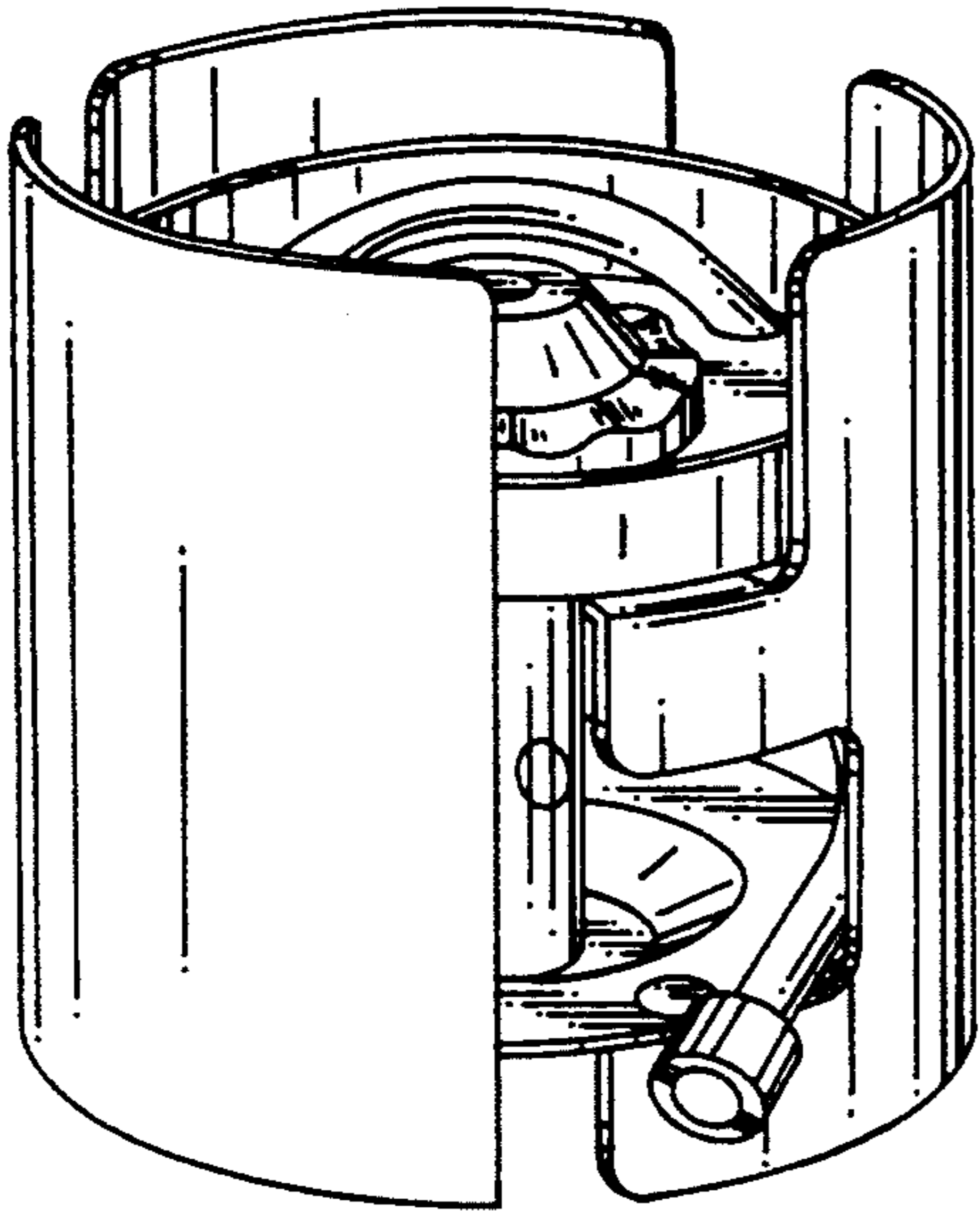


FIG. 3

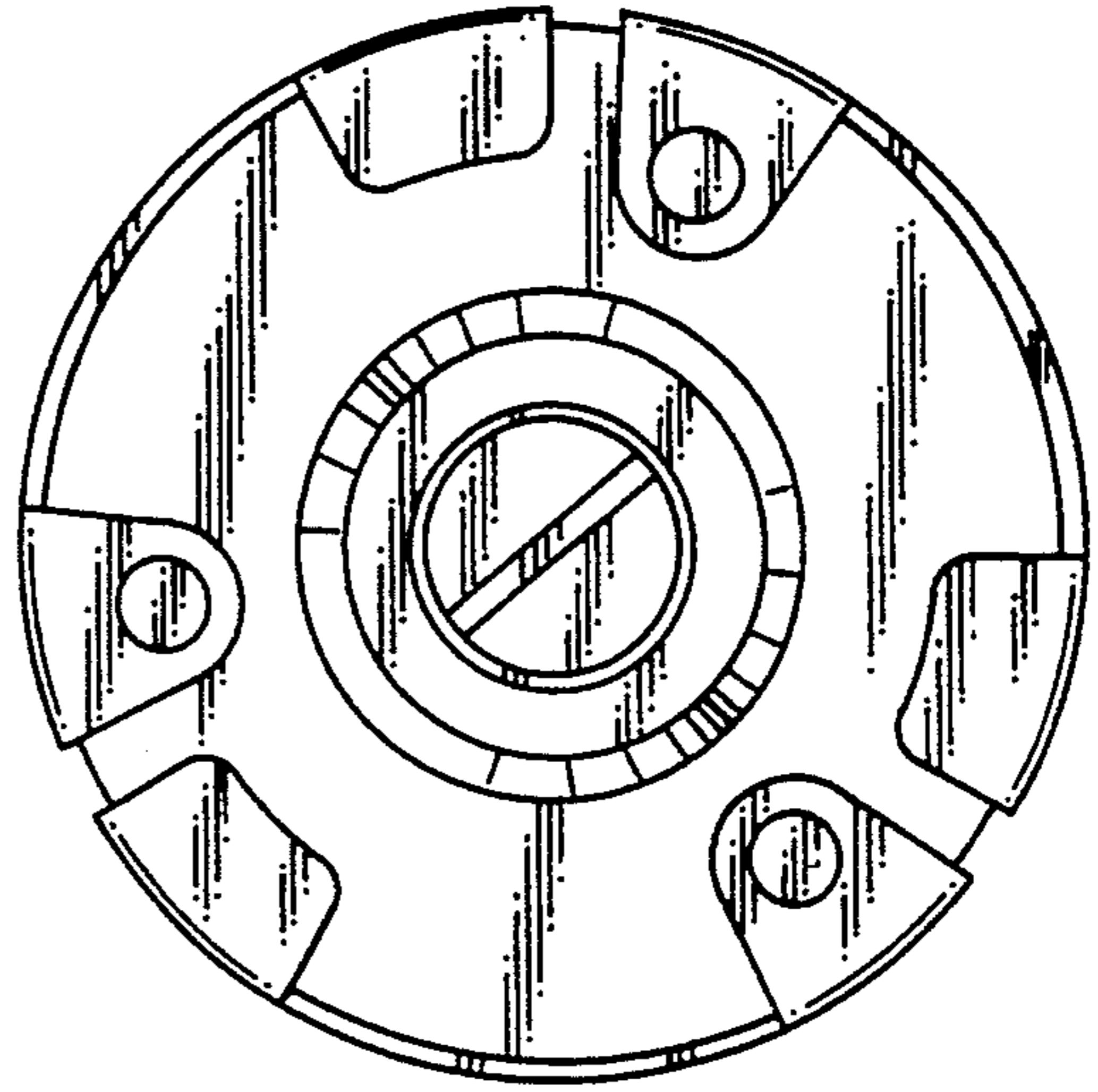


FIG. 4

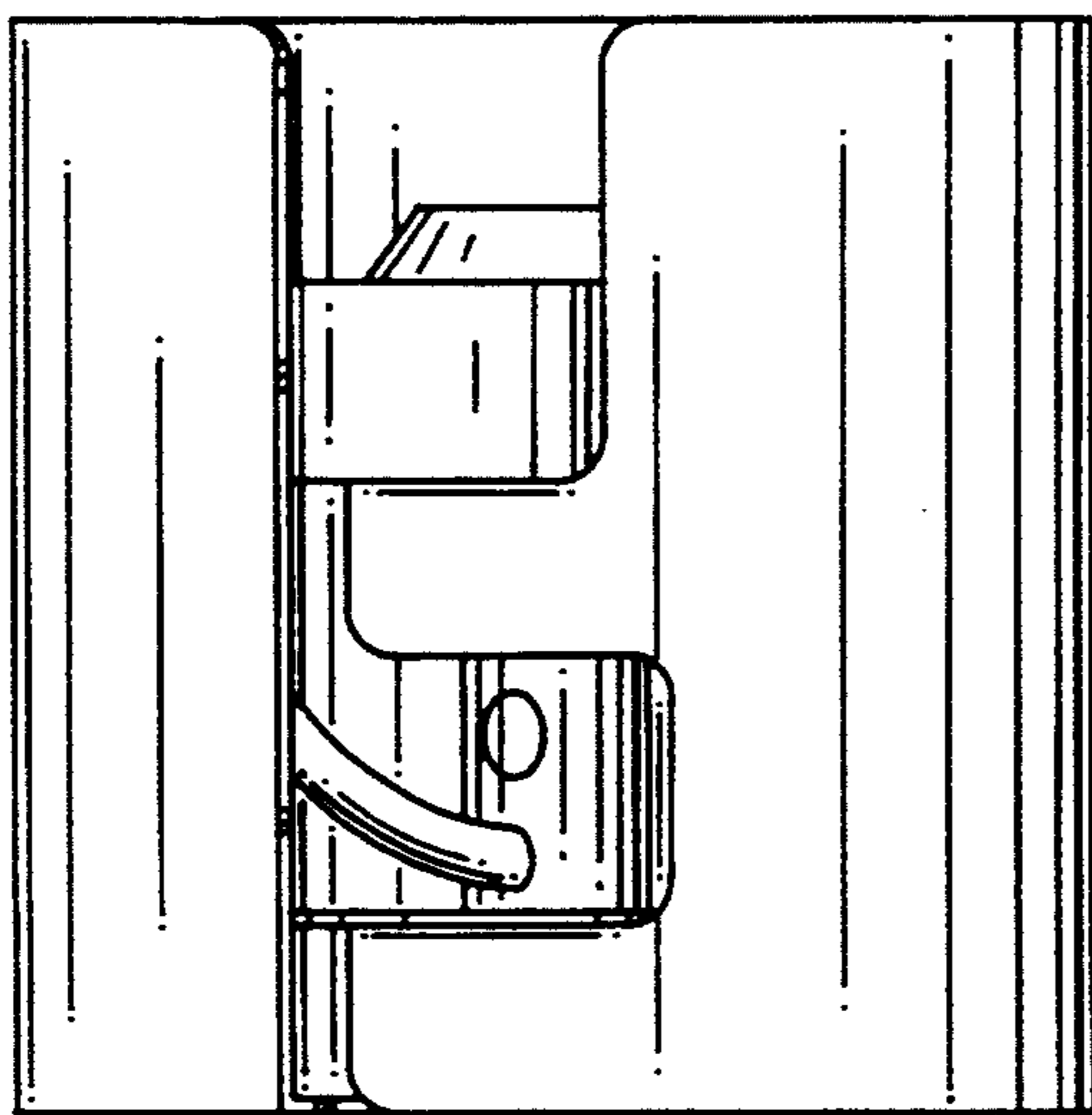


FIG. 5

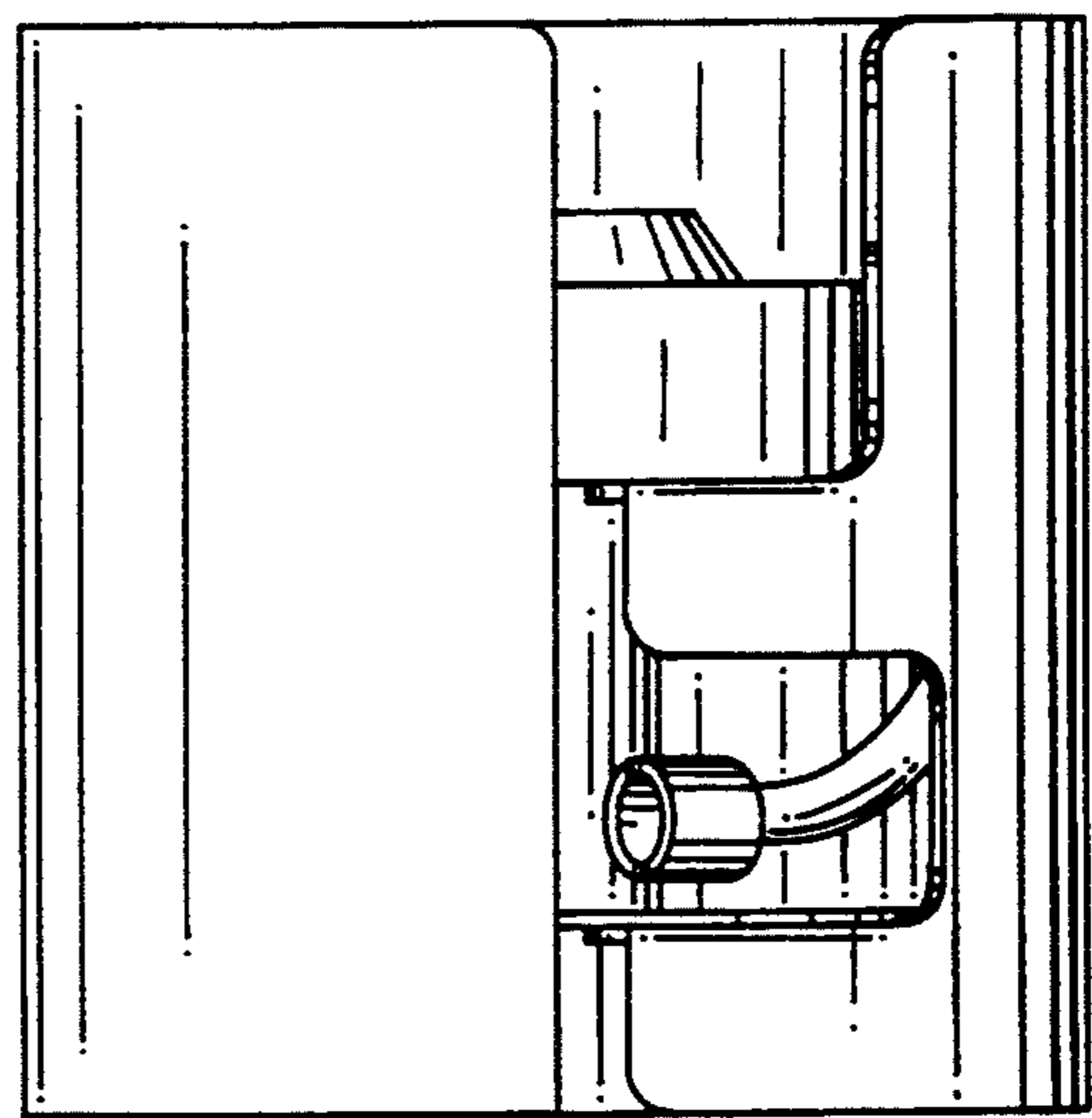


FIG. 6

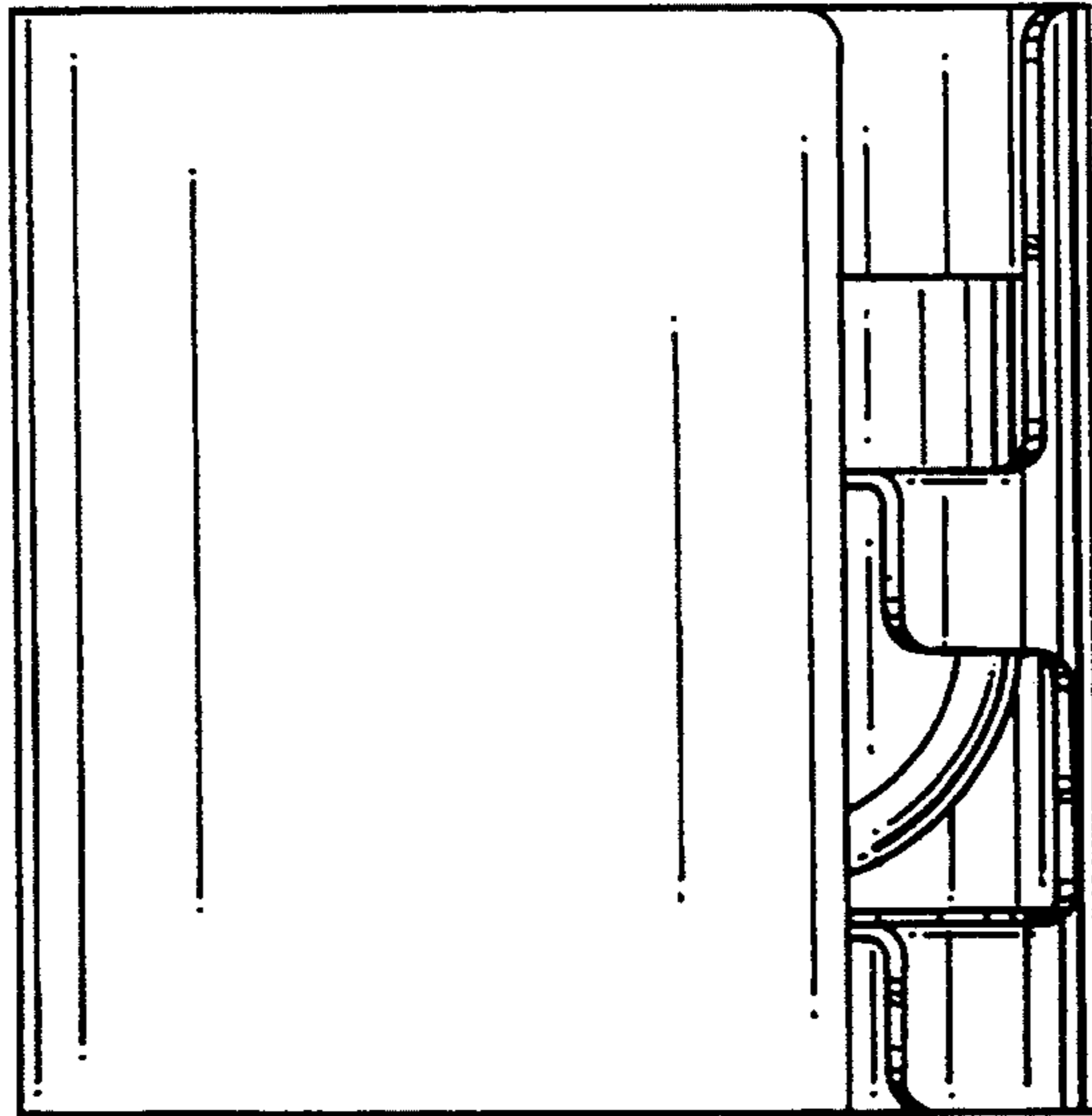


FIG. 7

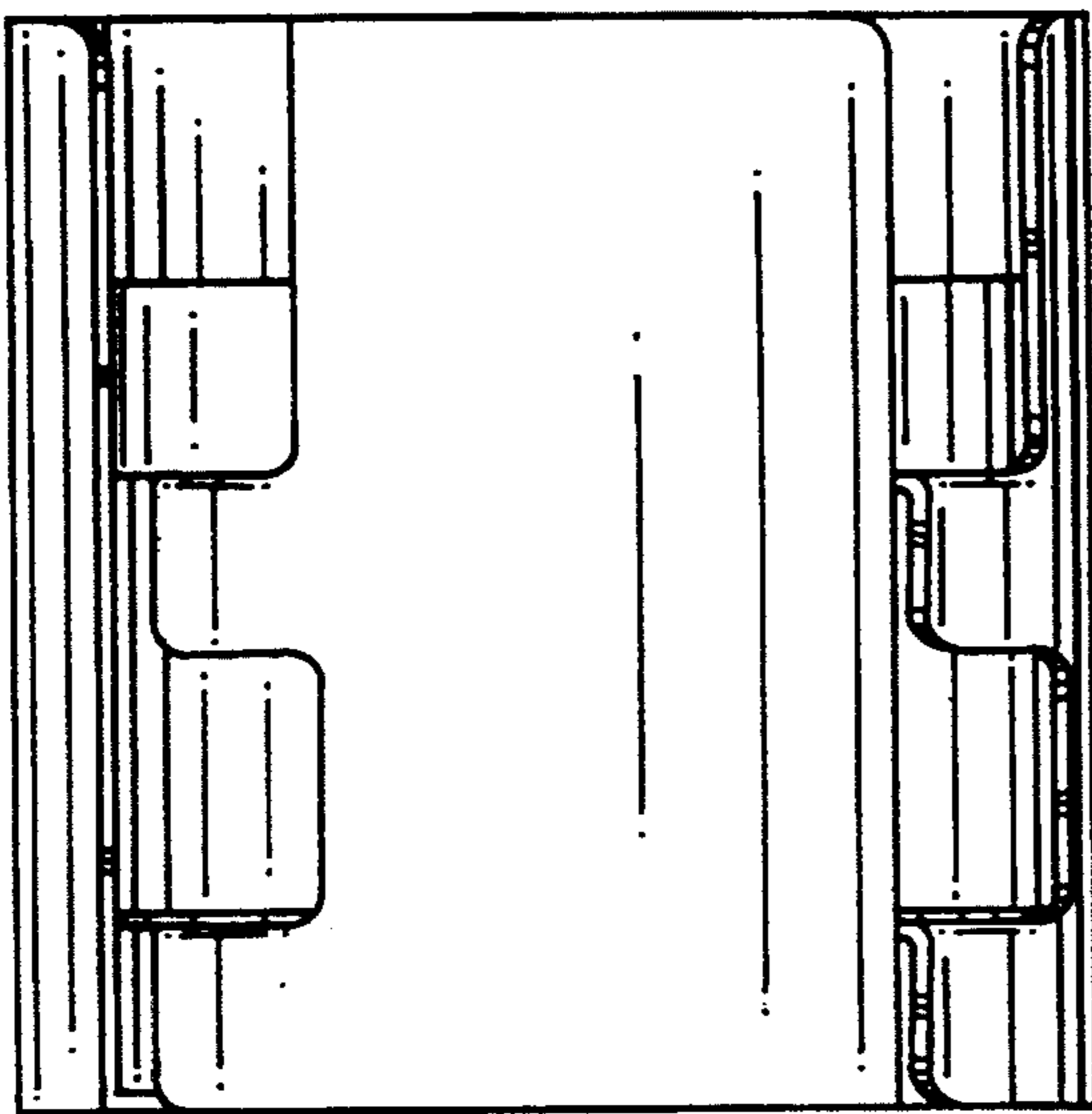


FIG. 8

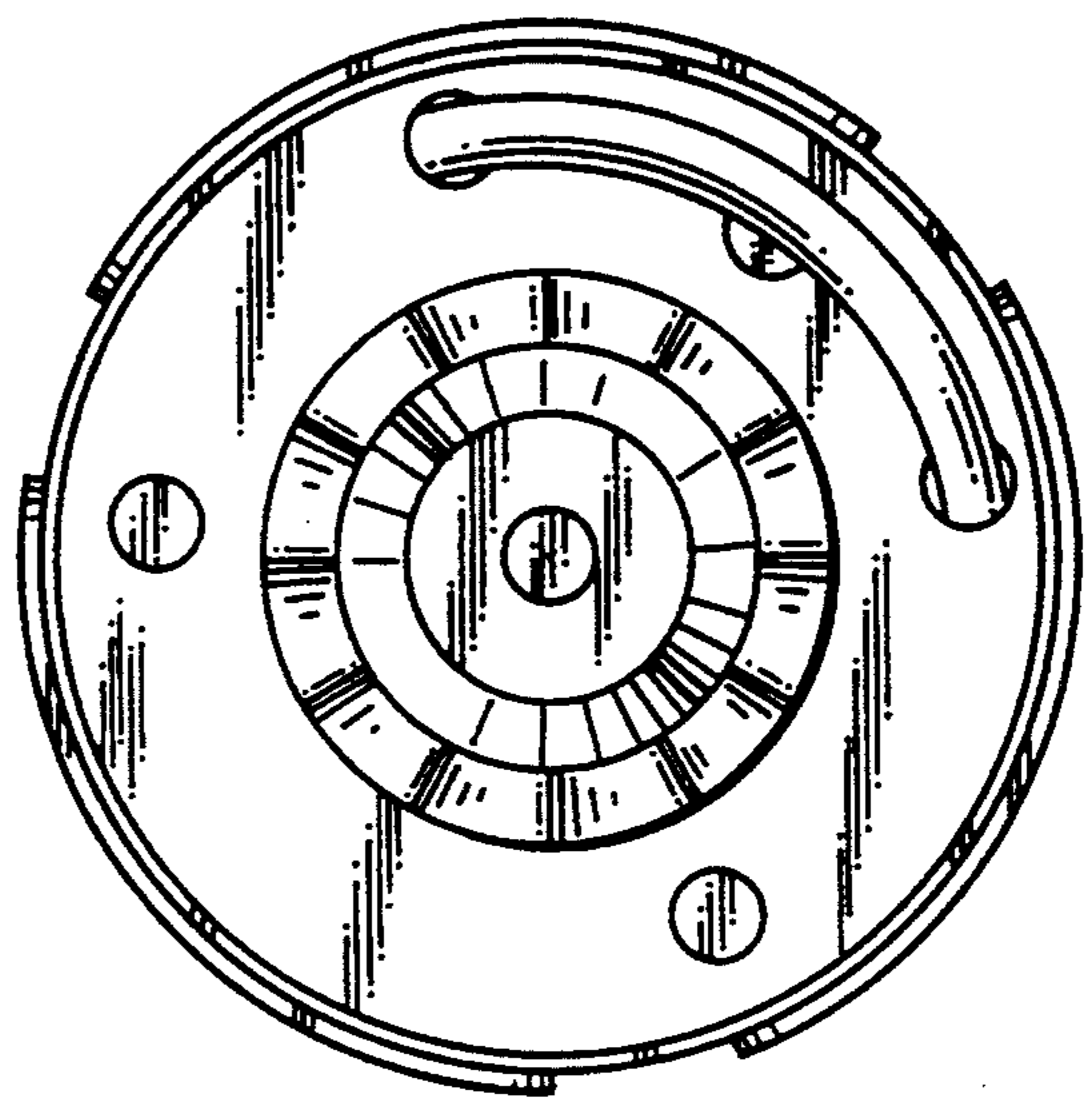


FIG. 9