



US00D355805S

United States Patent [19]

[11] Patent Number: Des. 355,805

Warren

[45] Date of Patent: ** Feb. 28, 1995

[54] SOAP HOLDER

4,965,008 10/1990 Chang .

[76] Inventor: **Tony Warren**, 134 W. 58th St. #304,
New York, N.Y. 10019

Primary Examiner—Brian N. Vinson
Attorney, Agent, or Firm—Michael I. Kroll

[**] Term: **14 Years**

[57] CLAIM

[21] Appl. No.: **10,460**

The ornamental design for a soap holder, as shown and described.

[22] Filed: **Jul. 8, 1993**

[52] U.S. Cl. **D6/536**

[58] Field of Search D6/532-540,
D6/541; 294/25, 62; 206/277, 77.1; 211/13, 14,
113; 248/682, 683, 317

DESCRIPTION

[56] References Cited

U.S. PATENT DOCUMENTS

D. 313,914	1/1991	Tribbey	D6/541
3,693,923	9/1972	Ayoub et al.	D6/536 X
4,211,445	7/1980	Woods	D6/536 X
4,741,852	5/1988	Ondracek .	
4,746,452	5/1988	Marek .	

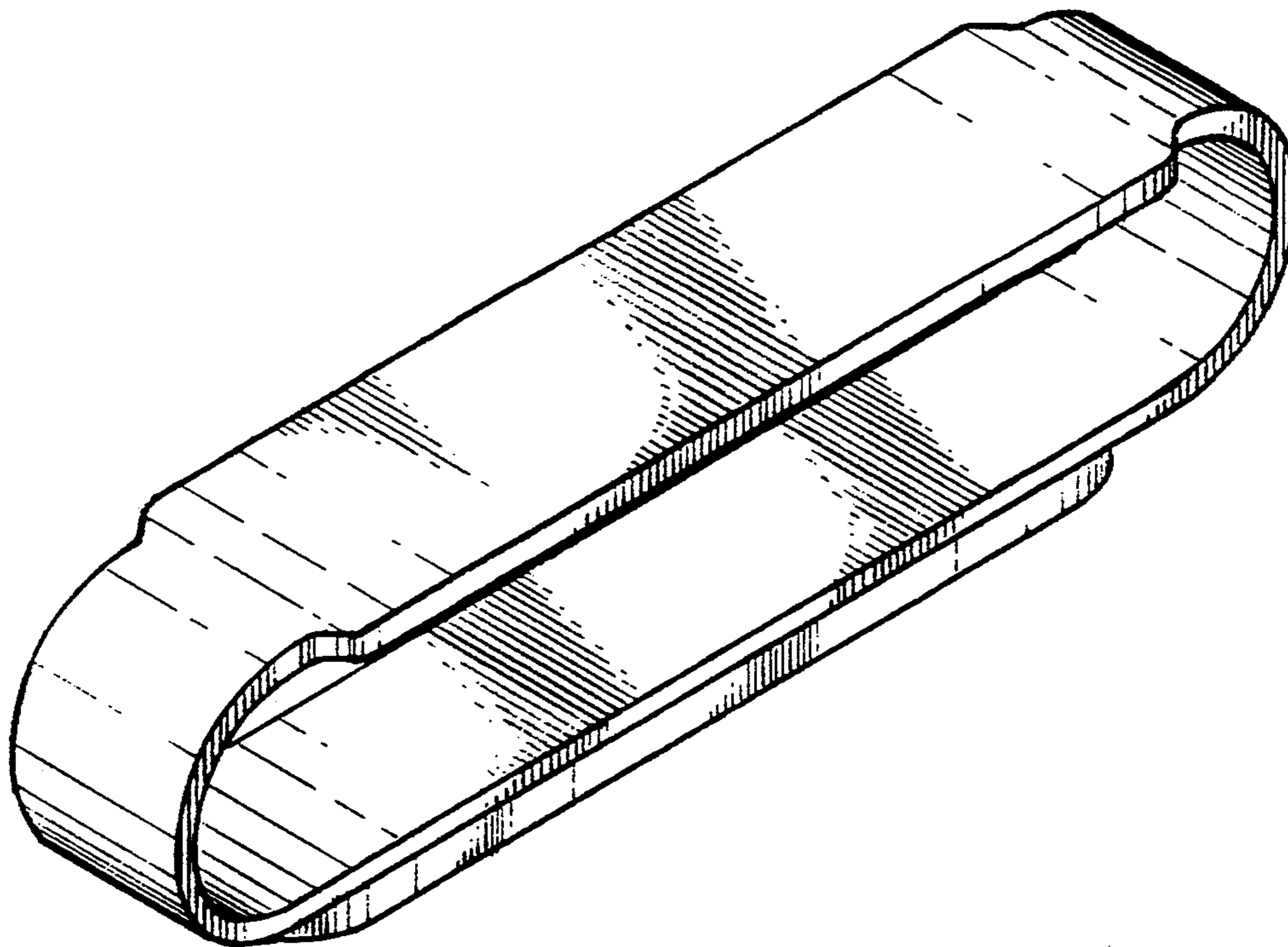
FIG. 1 is a front, top and side perspective view of the soap holder showing my new design, the bar being fixed to the looped handle and being pushed frontwise into the bottom or top of a bar of soap whereby a bar of soap can be held by the looped handle;

FIG. 2 is a front elevational view thereof, the rear being a mirror image of the front shown in FIG. 2;

FIG. 3 is an end elevational view thereof, the end opposite being a mirror image of the end shown in FIG. 4;

FIG. 4 is a top plan view thereof; and,

FIG. 5 is a bottom plan view thereof.



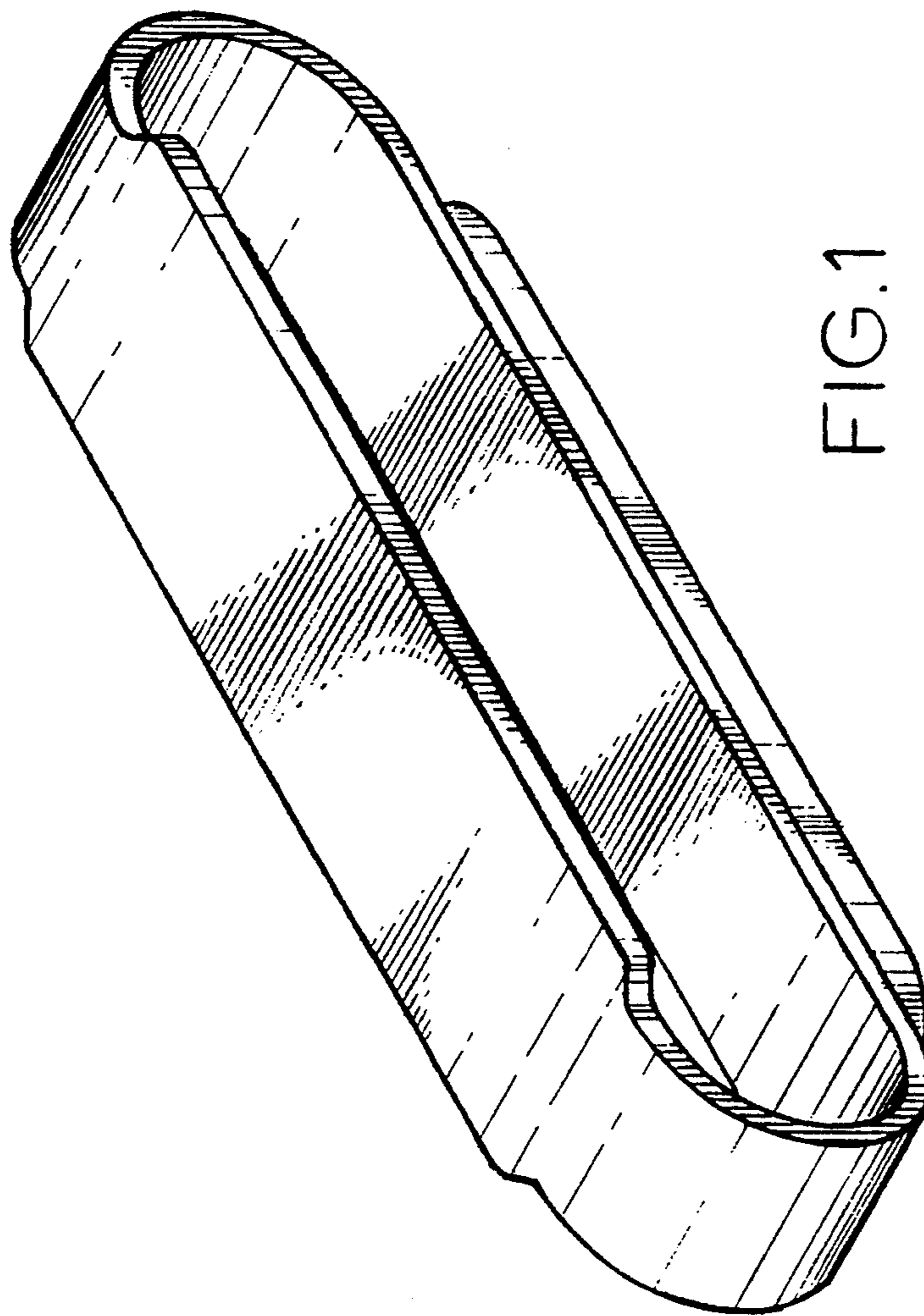


FIG. 1

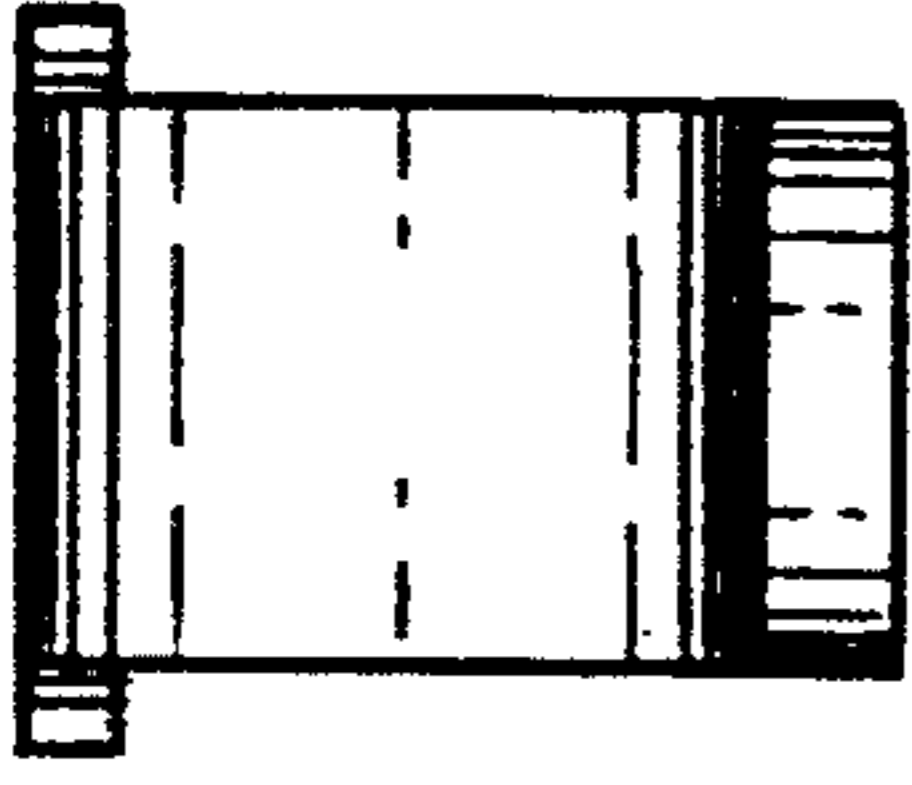


FIG. 3

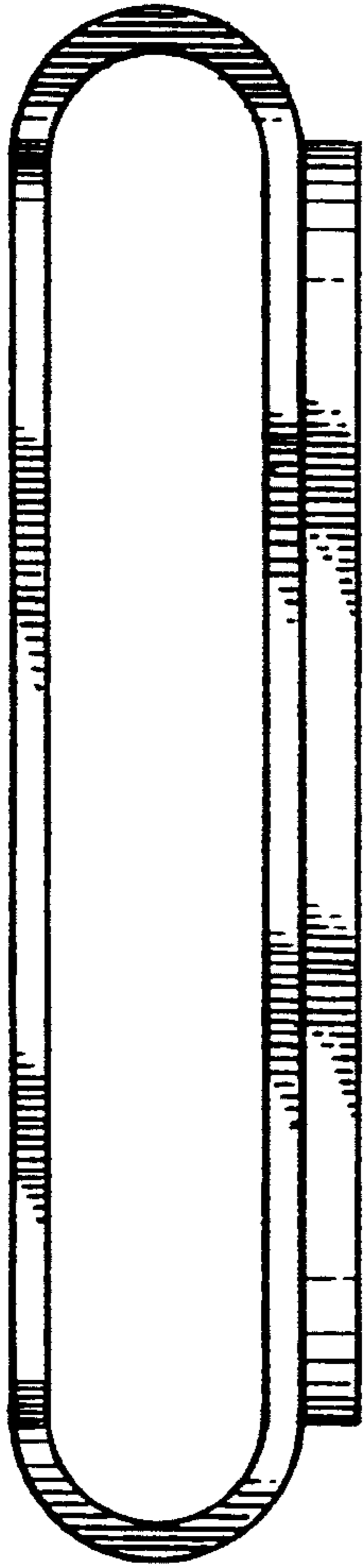


FIG. 2

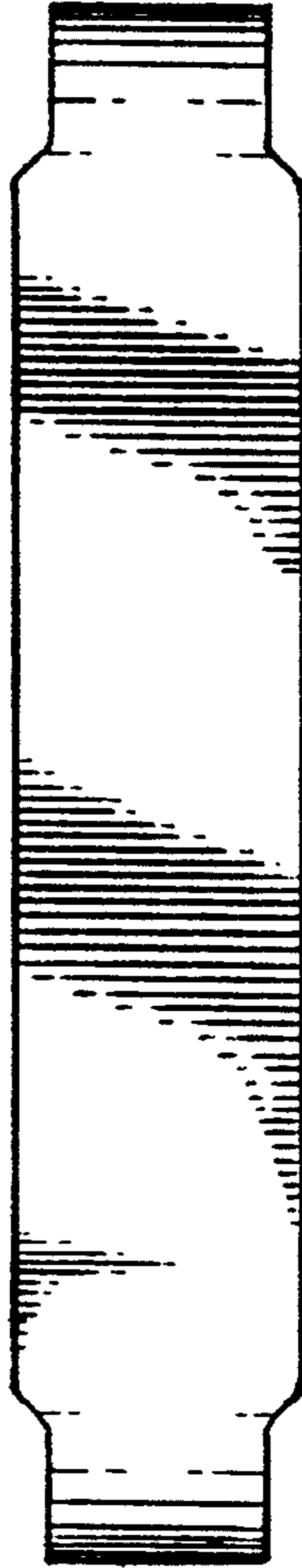


FIG. 4

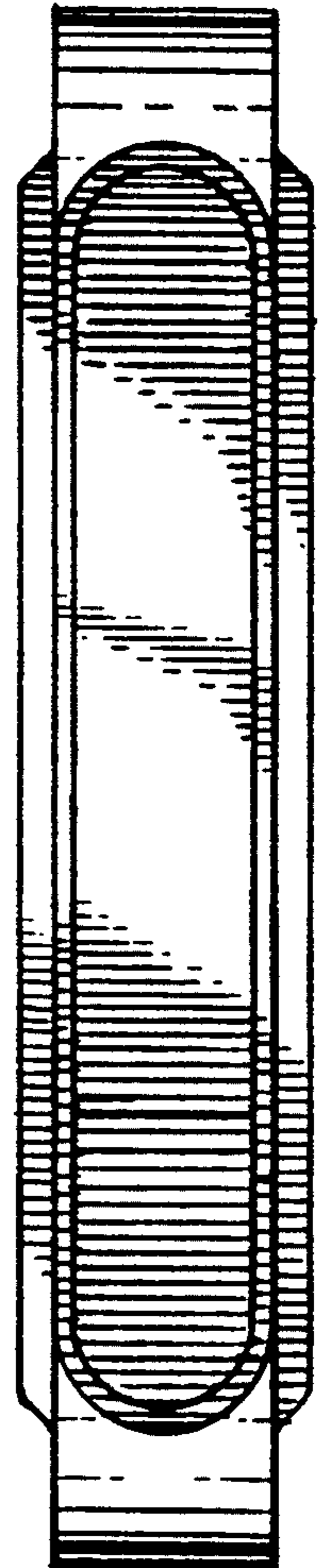


FIG. 5