



US00D355802S

United States Patent [19]

[11] Patent Number: **Des. 355,802**

Loznikov

[45] Date of Patent: **** Feb. 28, 1995**

[54] **TABLE BASE**

[76] Inventor: **Mikhail Loznikov**, 2007 Balboa St.,
San Francisco, Calif. 94121

[**] Term: **14 Years**

[21] Appl. No.: **16,663**

[22] Filed: **Dec. 21, 1993**

[52] U.S. Cl. **D6/495; D6/482**

[58] Field of Search **D6/480-489,
D6/495, 498, 499, 451; 108/152, 153, 161**

[56] **References Cited**

U.S. PATENT DOCUMENTS

- D. 157,184 2/1950 Nisle D6/480
- D. 189,246 11/1960 Beck D6/485 X
- D. 337,677 7/1993 Loznikov D6/482 X

Primary Examiner—Janice E. Seeger
Attorney, Agent, or Firm—Phillips, Moore, Lempio &
Finley

[57] **CLAIM**

The ornamental design for a table base, as shown and described.

DESCRIPTION

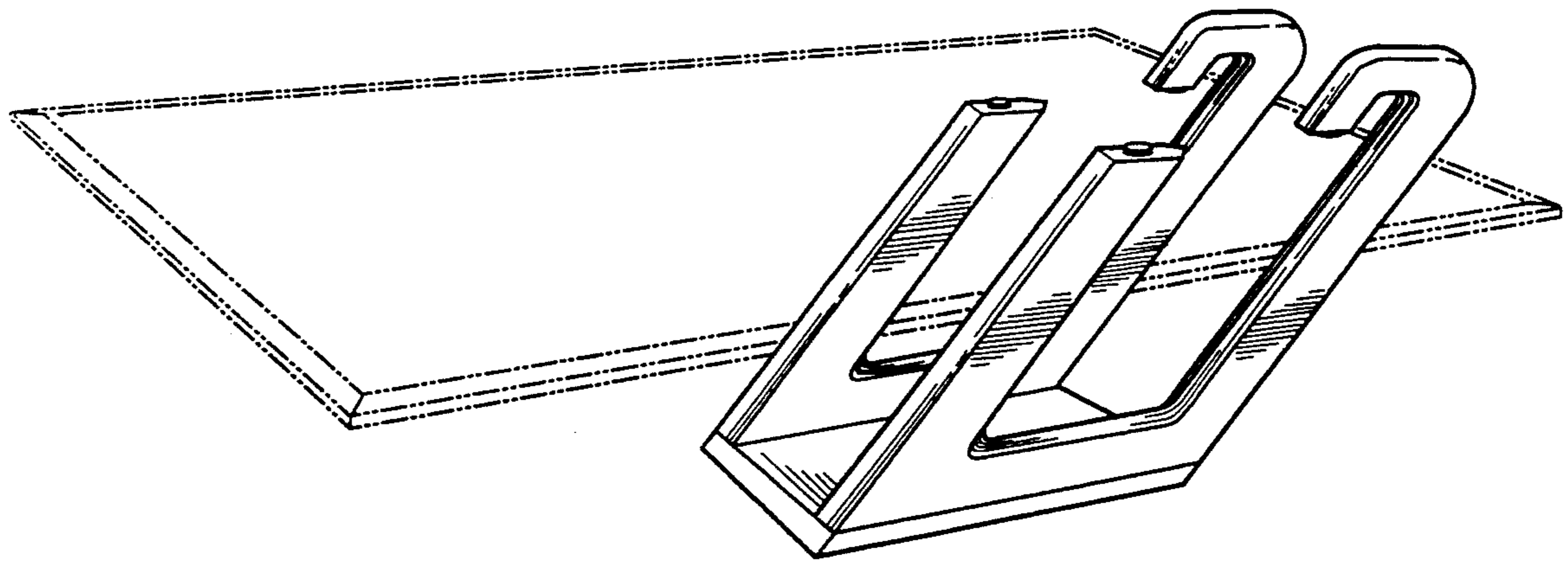
FIG. 1 is an isometric view of a table base showing my new design;

FIG. 2 is a side elevational view thereof, the opposite side being a mirror image of the side shown;

FIG. 3 is a top plan view thereof; and,

FIG. 4 is a front elevational view thereof.

The broken lines are for environmental purposes only and form no part of the claimed design.



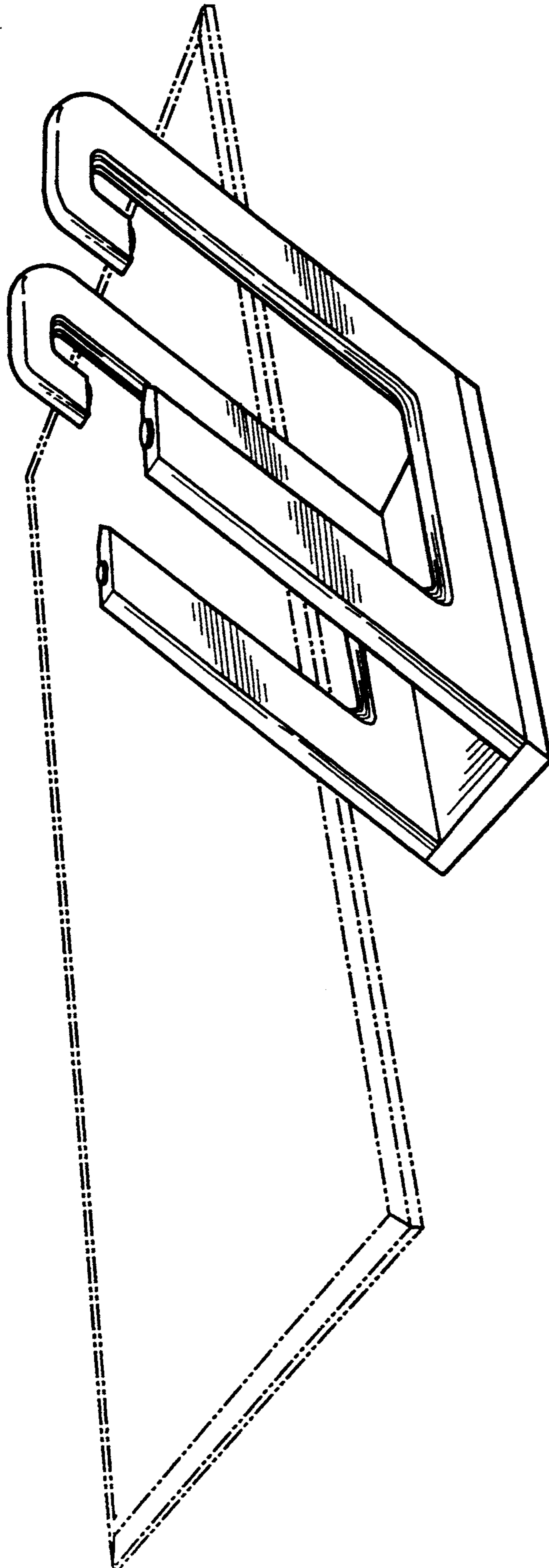


FIGURE 1

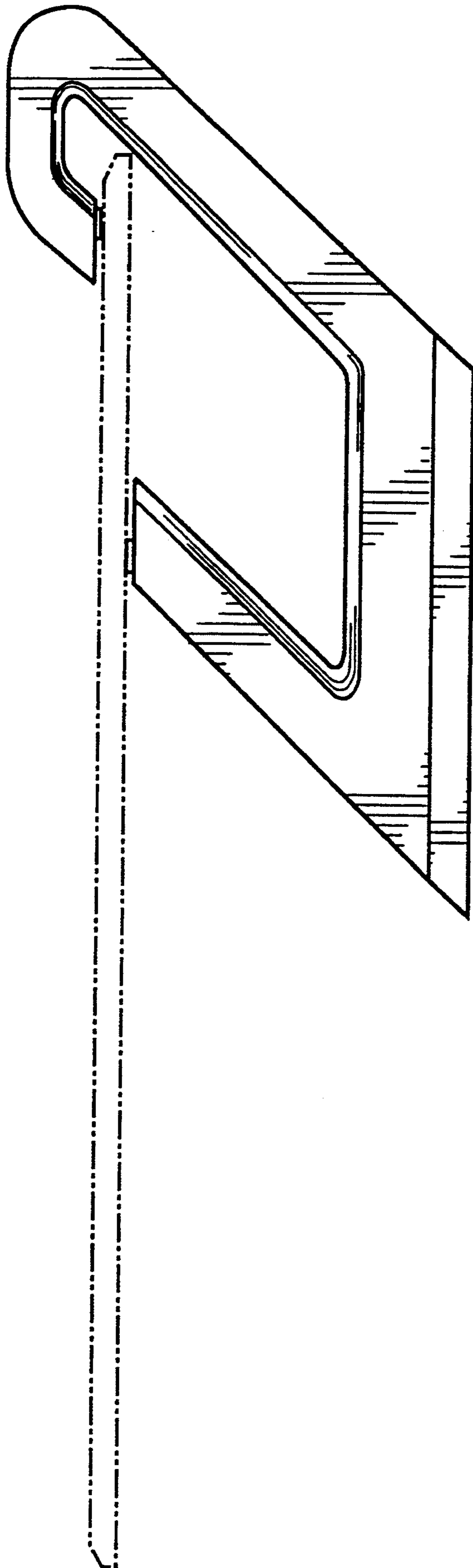


FIGURE 2

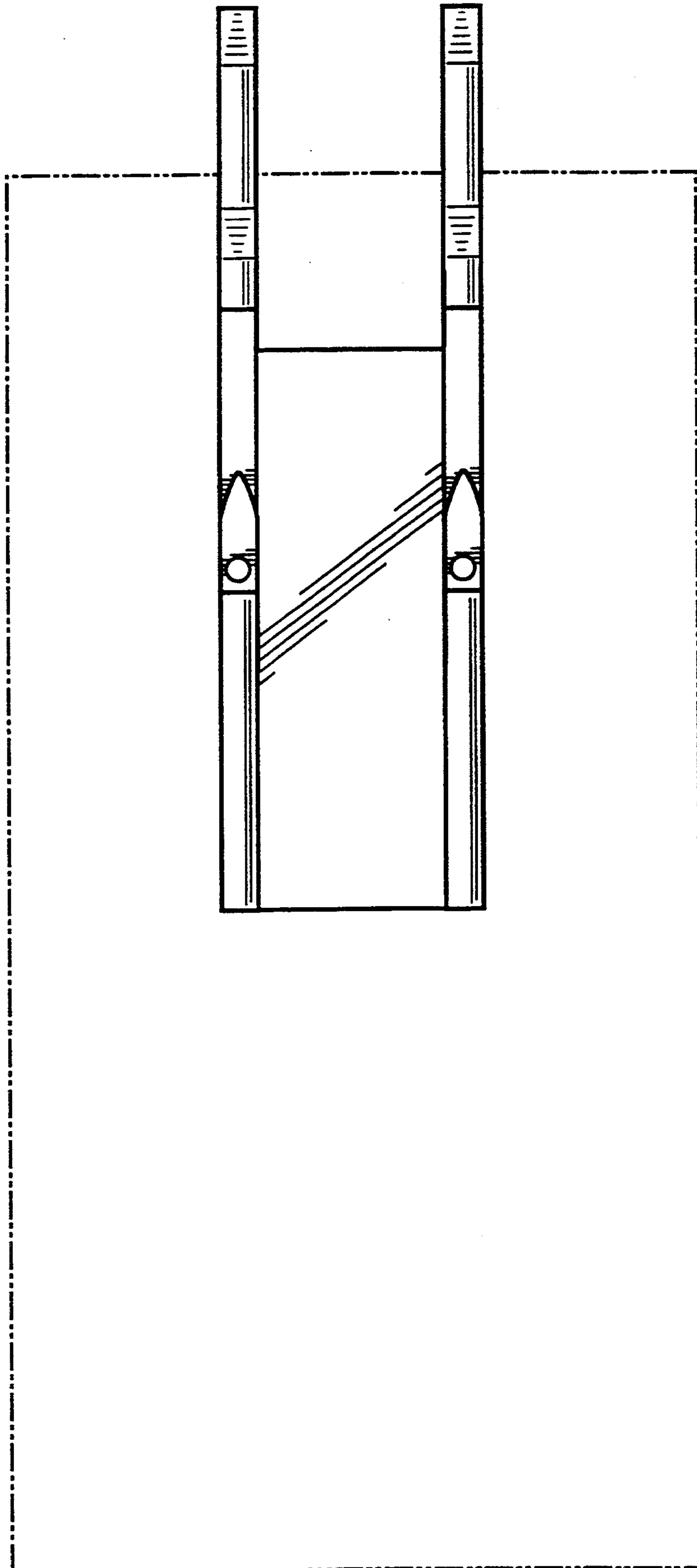


FIGURE 3

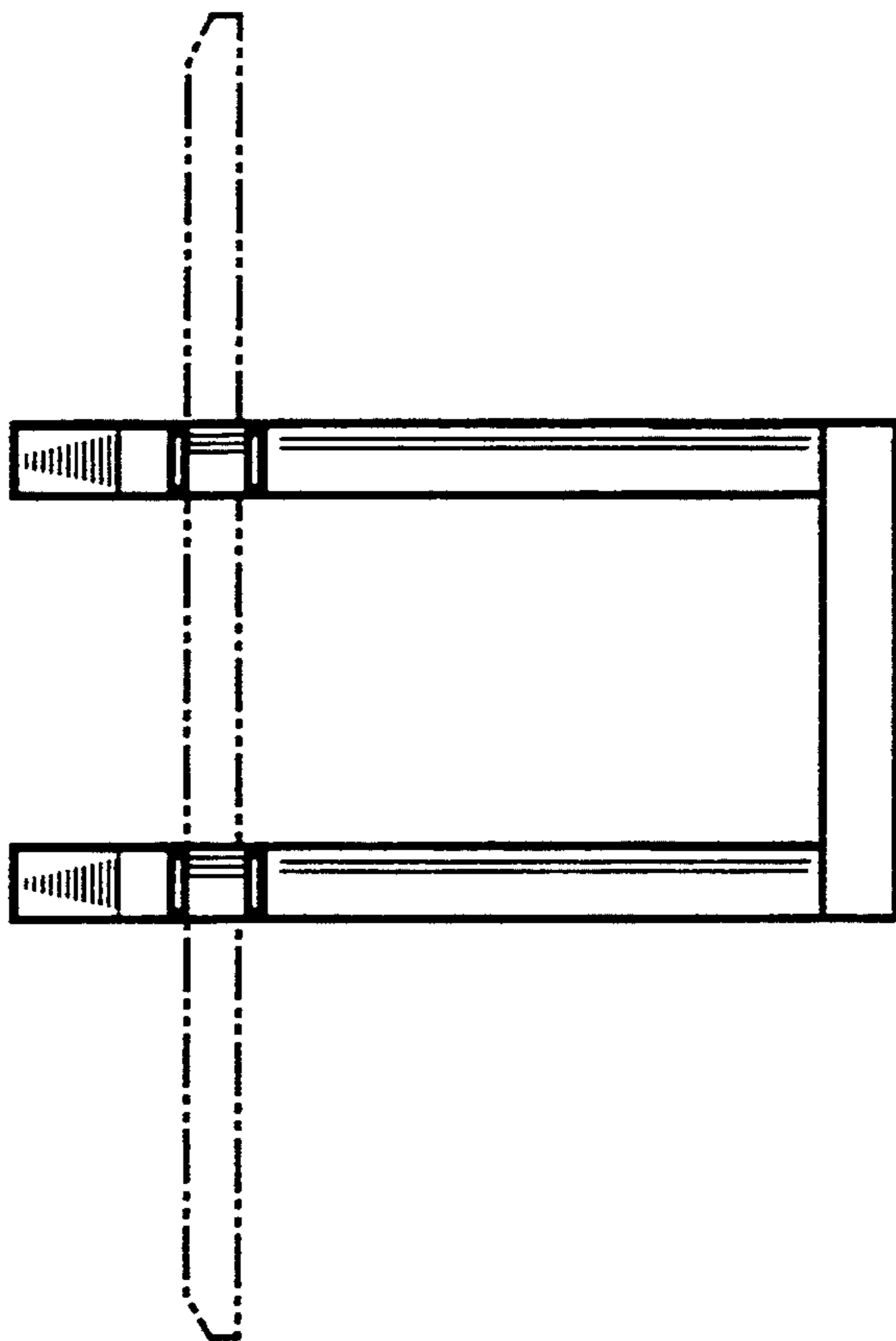


FIGURE 4