



US00D355801S

United States Patent [19]

[11] Patent Number: **Des. 355,801**

Klein

[45] Date of Patent: **** Feb. 28, 1995**

[54] TABLE

[75] Inventor: **Richard S. Klein**, Los Angeles, Calif.

[73] Assignee: **Cal-Style Furniture Mfg. Co.**,
Compton, Calif.

[**] Term: **14 Years**

[21] Appl. No.: **12,410**

[22] Filed: **Sep. 1, 1993**

[52] U.S. Cl. **D6/487; D6/488**

[58] Field of Search **D6/480-489,**
D6/495-499, 429-431; 108/153-155, 161;
248/188, 188.1

[56] **References Cited**

U.S. PATENT DOCUMENTS

D. 170,420	9/1953	Luhrs	D6/487 X
D. 284,820	7/1986	Shao et al.	D6/487
D. 284,918	8/1986	McBride	D6/487 X

OTHER PUBLICATIONS

Brown Jordan, #1221-4200 at lower left.

La Barge, Jan. 1, 1975, p. 5, #8082, right and third from top.

La Barge, Jan. 1, 1975, p. 1, #4306. left and third from top.

Primary Examiner—Janice E. Seeger

Attorney, Agent, or Firm—Edgar A. Zarins; Malcolm L. Sutherland

[57] CLAIM

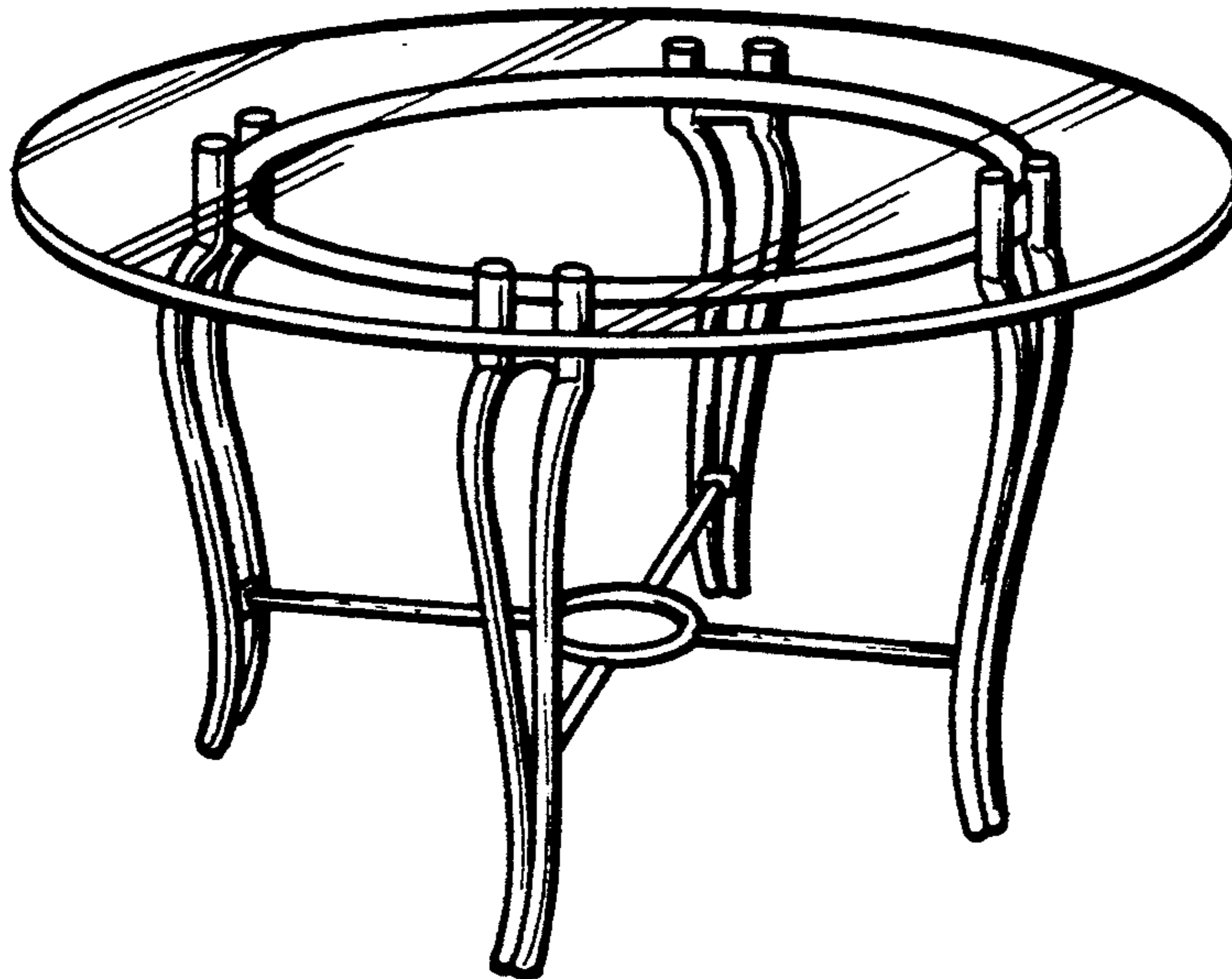
The ornamental design for a table, as shown and described.

DESCRIPTION

FIG. 1 is a perspective view of a table showing my new design;

FIG. 2 is a top plan view thereof; and,

FIG. 3 is a front elevational view thereof.



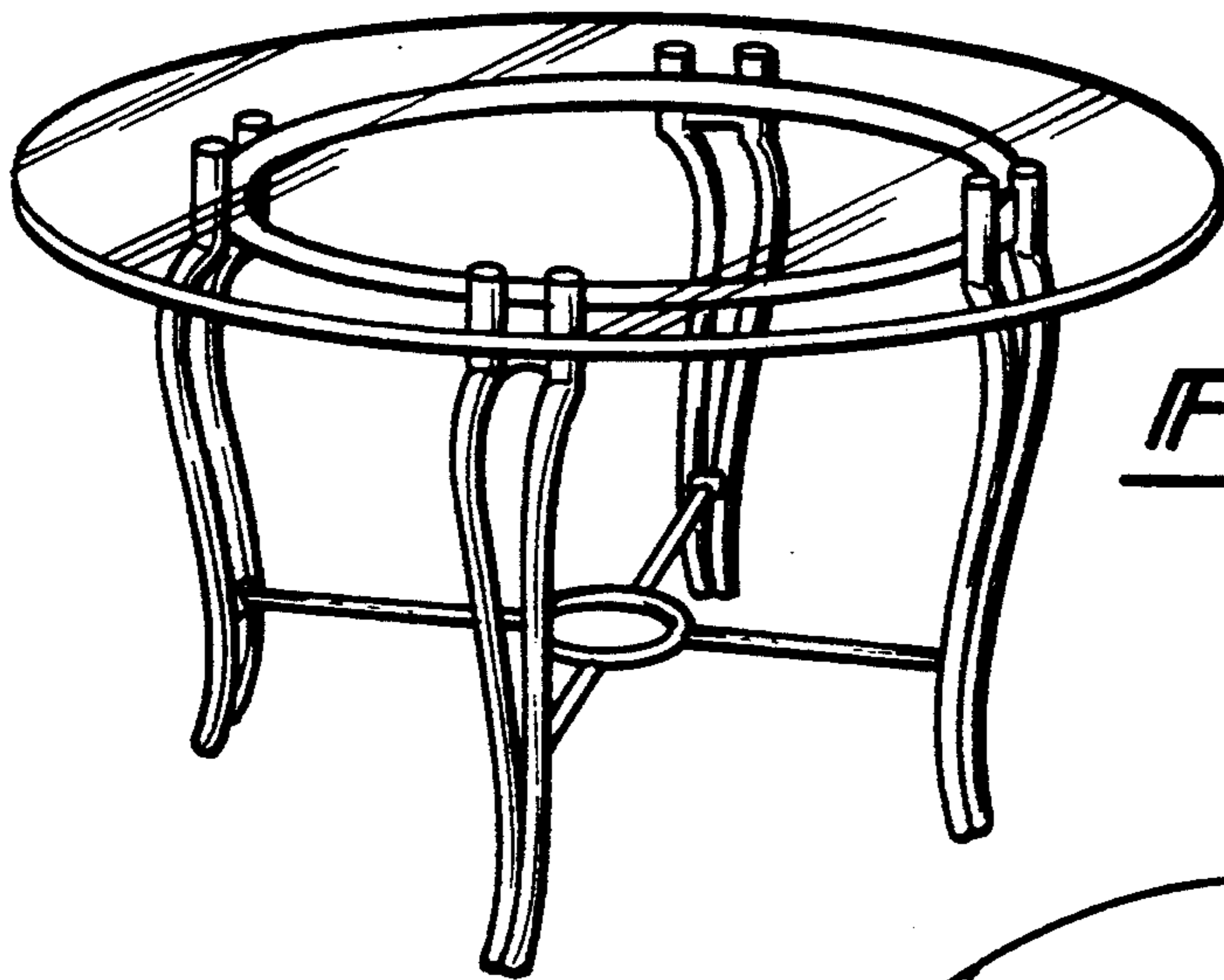


Fig-1

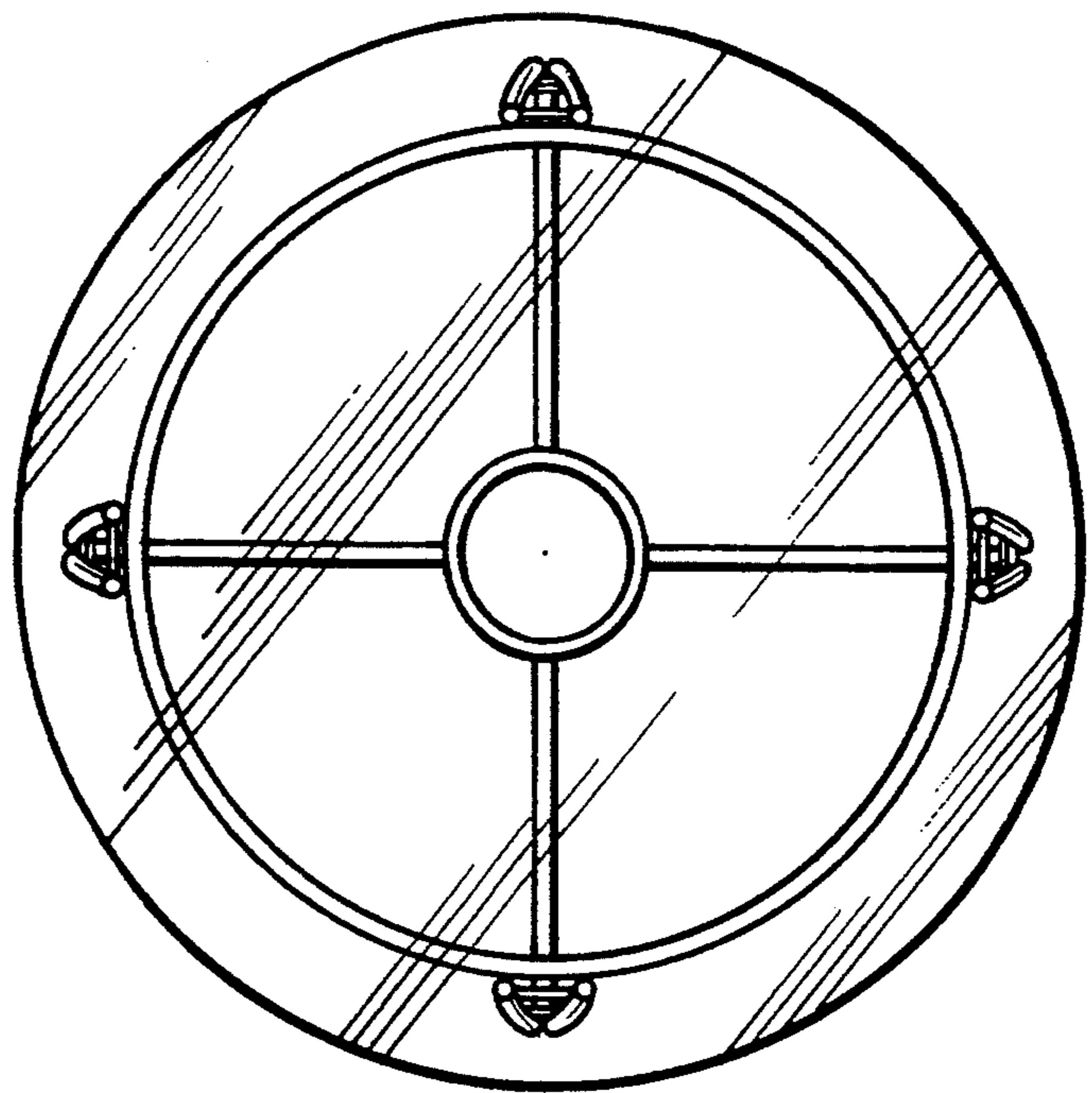


Fig-2

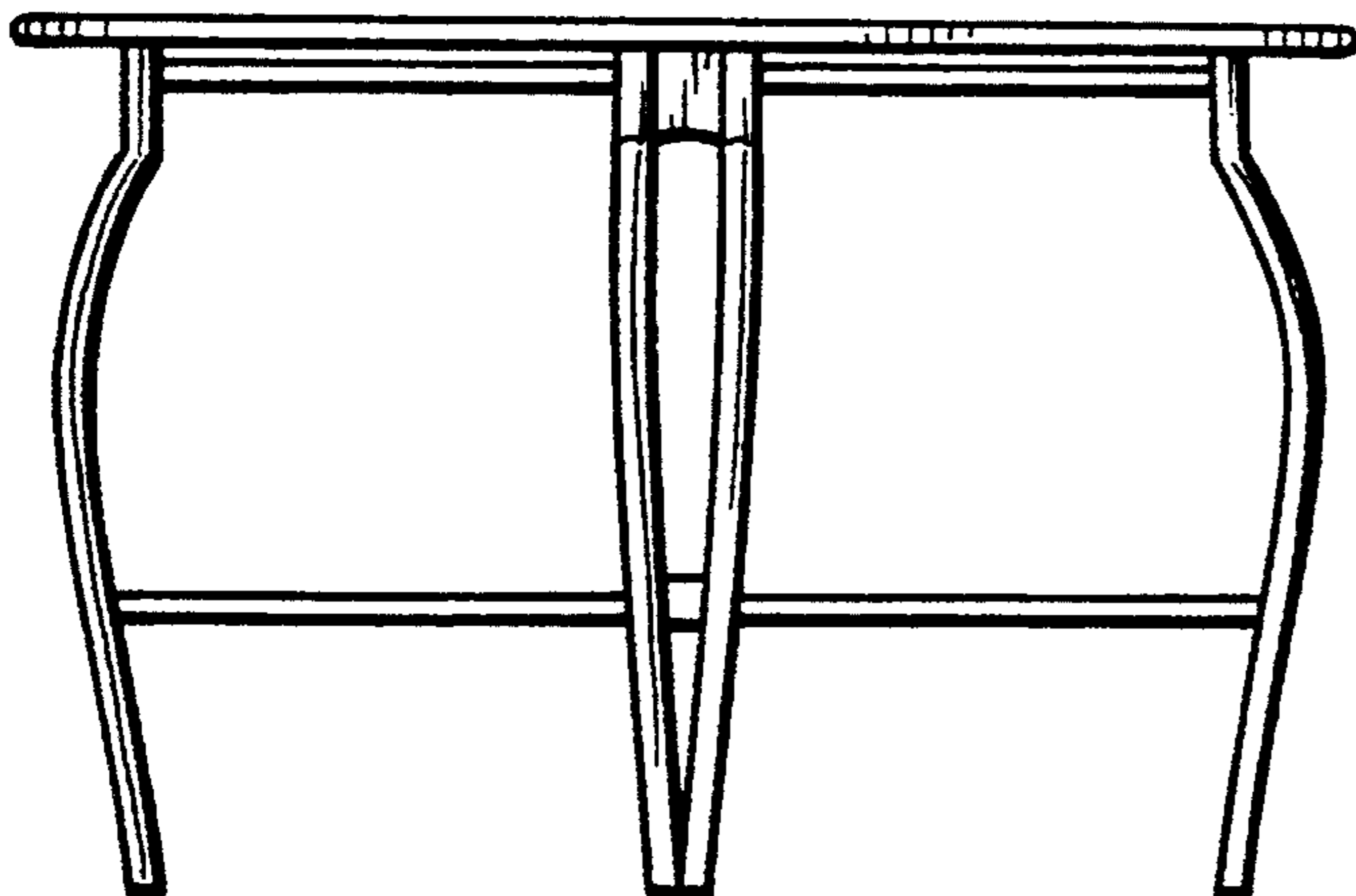


Fig-3