



US00D355800S

United States Patent [19]

[11] Patent Number: **Des. 355,800**

Ward

[45] Date of Patent: **** Feb. 28, 1995**

[54] TABLE

[75] Inventor: **Marshall B. Ward**, High Point, N.C.

[73] Assignee: **Cal-Style Furniture Mfg. Co.**,
Compton, Calif.

[**] Term: **14 Years**

[21] Appl. No.: **7,718**

[22] Filed: **Apr. 29, 1993**

[52] U.S. Cl. **D6/484; D6/480;**
D6/511

[58] Field of Search **D6/480-489,**
D6/495, 498, 499, 451; 108/153, 156, 161;
248/188, 188.1, 188.7, 188.8

[56] **References Cited**

U.S. PATENT DOCUMENTS

- D. 342,631 12/1993 Geniele et al. D6/480
- D. 343,077 1/1994 Wegener D6/480
- 2,946,639 7/1960 Stanton 108/153 X

OTHER PUBLICATIONS

Schoner Wohnen, Nov. 1988, p. 103, table at top right.
Ethan Allen ©1992 p. 225, #7 table, left and 2nd f/bot-
tom.

Furniture Today-Apr. 10, 1989, p. 5, Table at left.

Primary Examiner—Janice E. Seeger

Attorney, Agent, or Firm—Edgar A. Zarins; Malcolm L.
Sutherland

[57] **CLAIM**

The ornamental design for a table, as shown and de-
scribed.

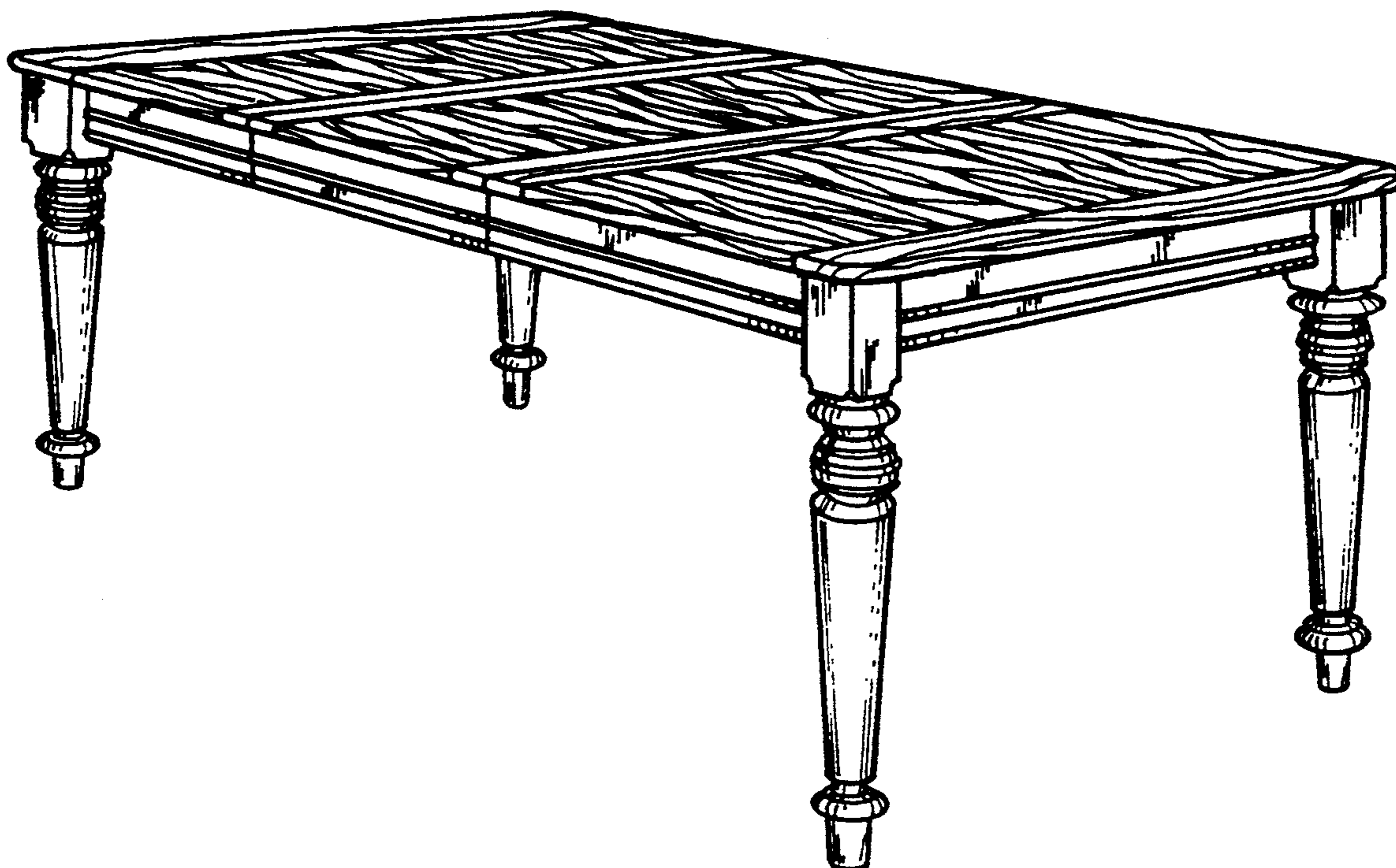
DESCRIPTION

FIG. 1 is a perspective view of a table showing my new
design;

FIG. 2 is an end view thereof, the opposite end being a
mirror image of the side shown;

FIG. 3 is a top plan view thereof; and,

FIG. 4 is a side view thereof, the opposite side being a
mirror image of the side shown.



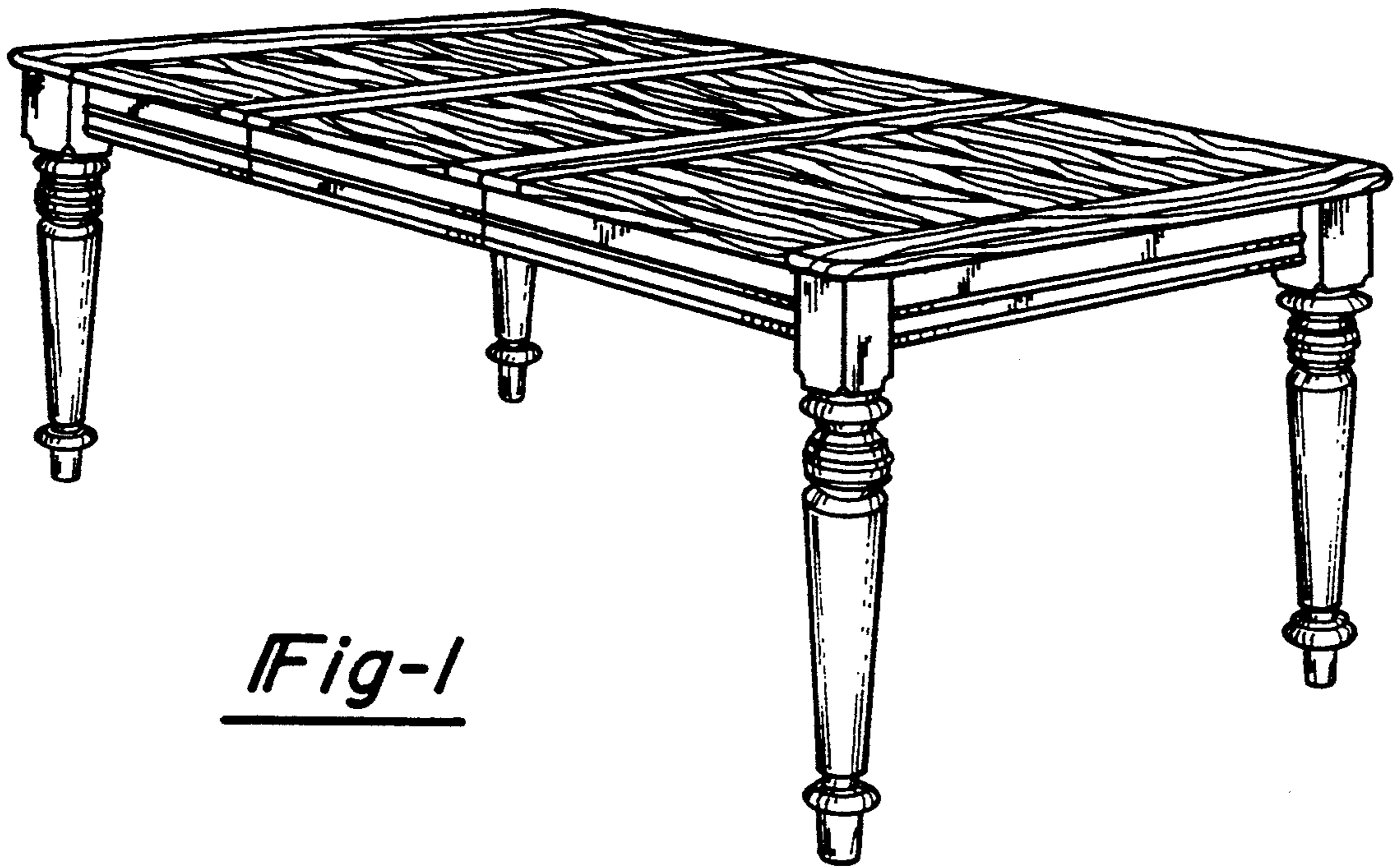


Fig-1

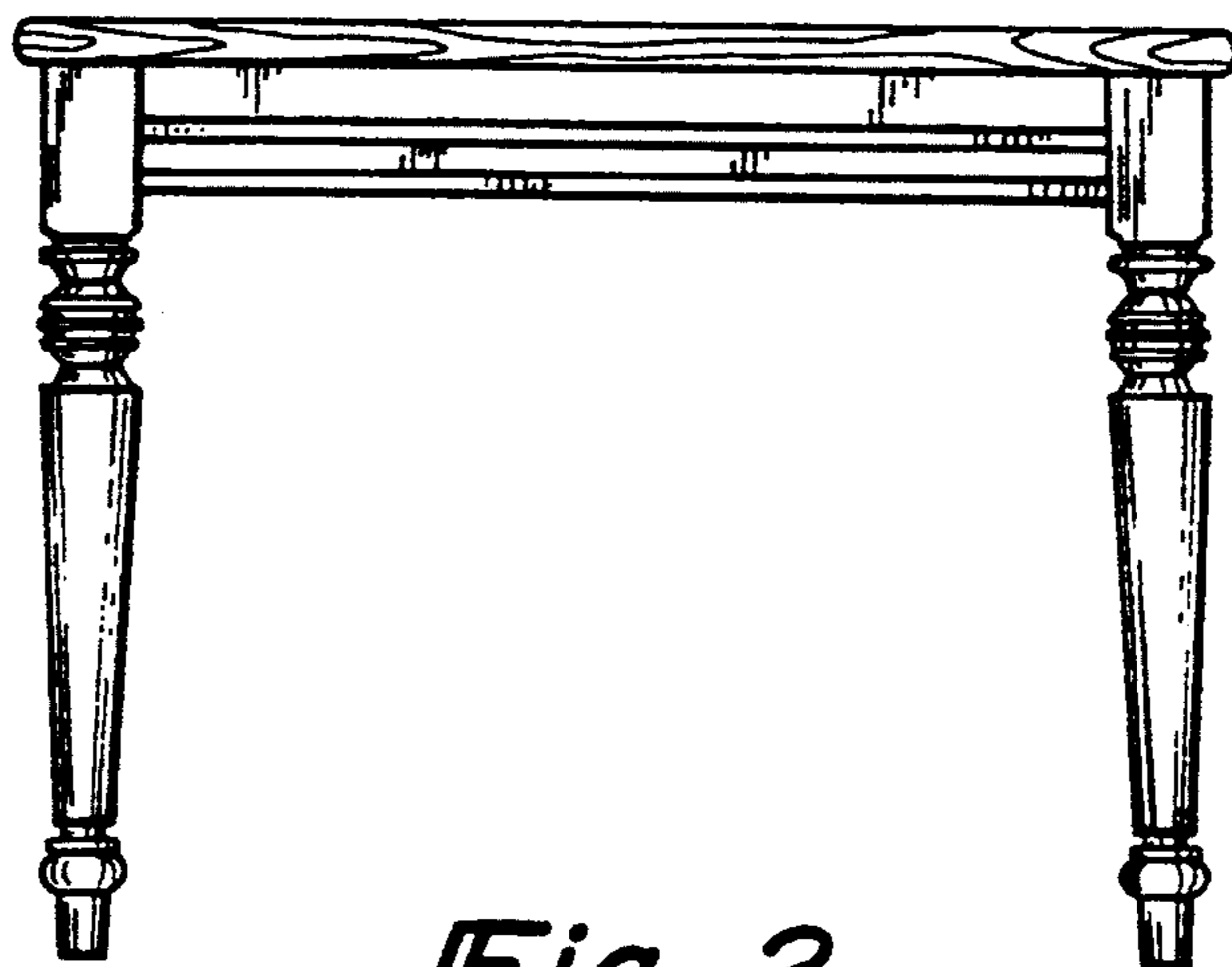


Fig-2

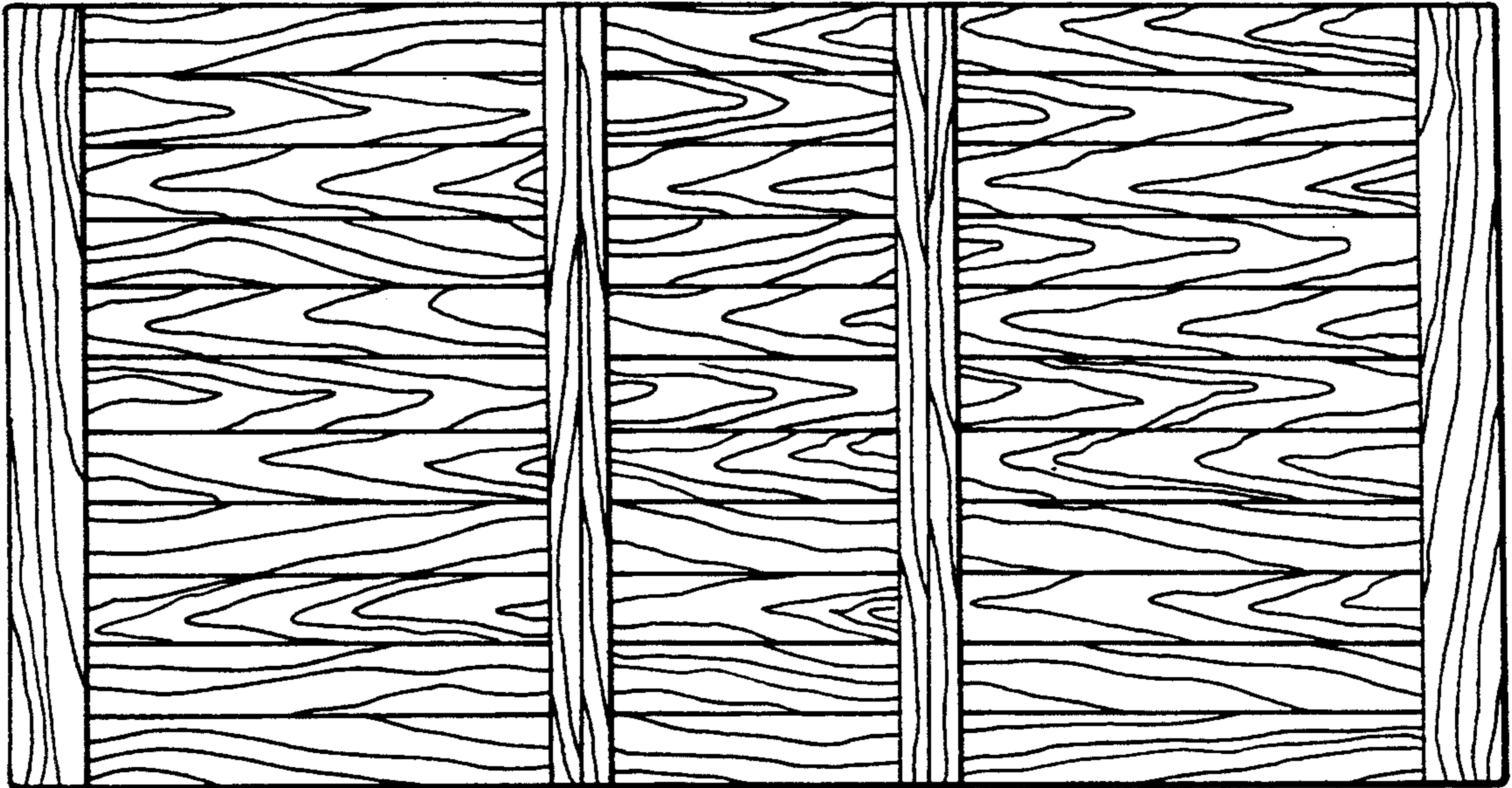


Fig-3

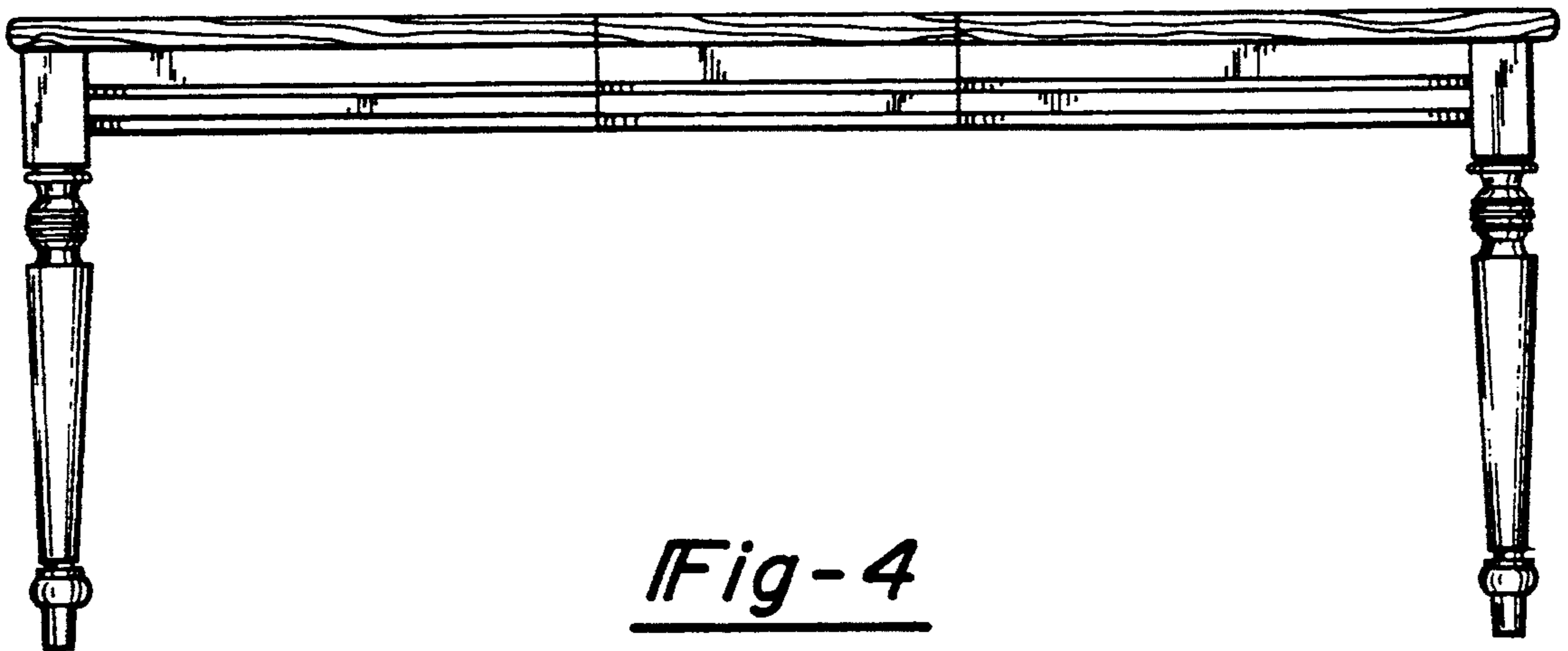


Fig-4