



US00D355798S

# United States Patent [19]

[11] Patent Number: **Des. 355,798**

Goetz

[45] Date of Patent: **\*\* Feb. 28, 1995**

[54] **STACKABLE INDUSTRIAL SHELVING**

[75] Inventor: **Charles R. Goetz, Carnegie, Pa.**

[73] Assignee: **Alco Industries, Inc., Valley Forge, Pa.**

[\*\*] Term: **14 Years**

[21] Appl. No.: **930,293**

[22] Filed: **Aug. 17, 1992**

[52] U.S. Cl. .... **D6/479**

[58] Field of Search ..... **D6/479, 484, 480, 474, 211/188, 186**

D. 240,377	7/1976	Goulder .....	D6/479
D. 303,885	10/1989	Goetz .....	D6/480
4,730,739	3/1988	Semerau, Jr. ....	211/189
4,836,393	6/1989	Maye .....	211/188
5,158,187	10/1992	Taub .....	211/186

*Primary Examiner*—Alan P. Douglas  
*Assistant Examiner*—S. Snapp  
*Attorney, Agent, or Firm*—William J. Ruano

### [57] CLAIM

The ornamental design for a stackable industrial shelving, as shown and described.

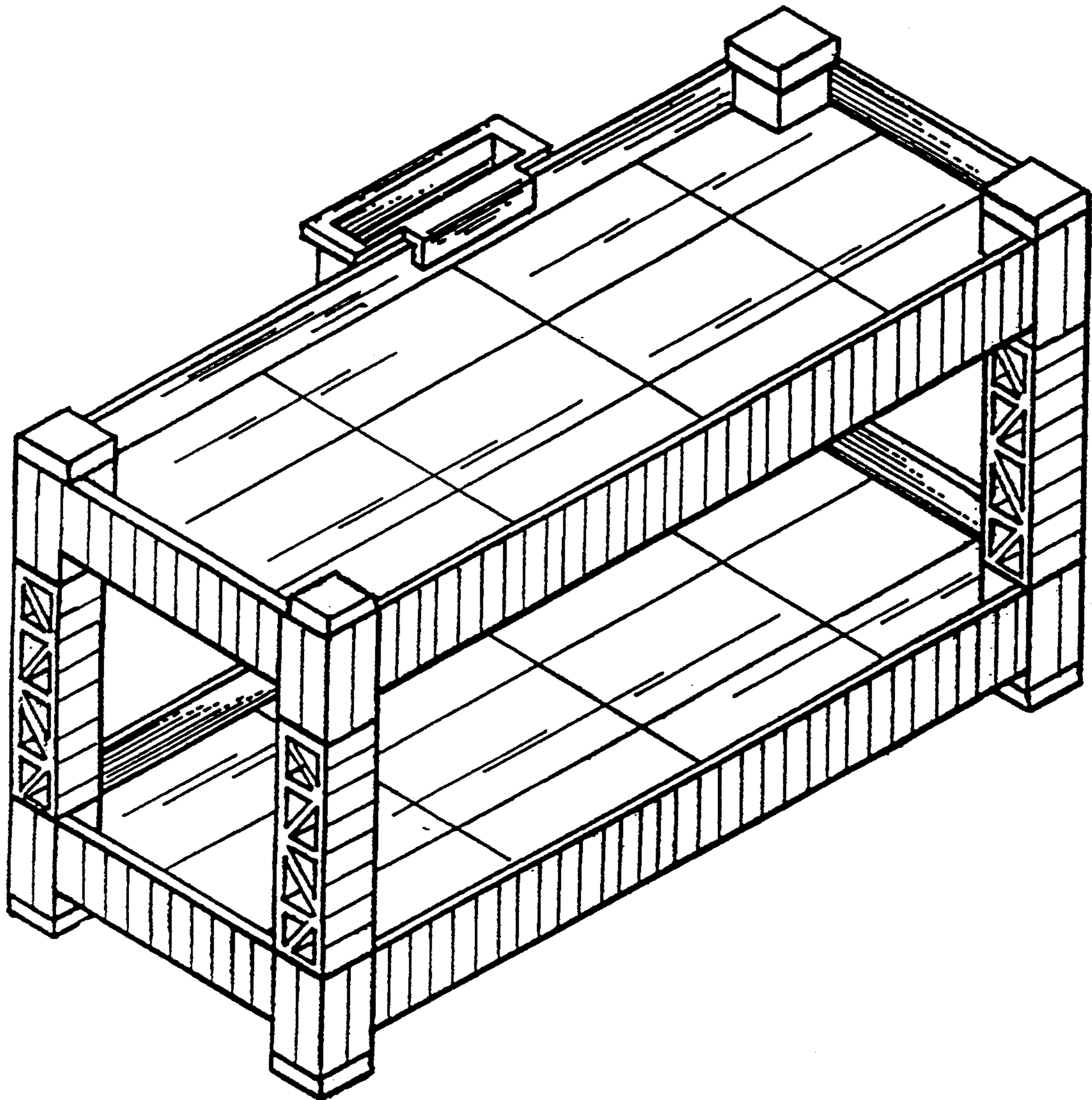
### DESCRIPTION

FIG. 1 is a top perspective exploded view of a stackable industrial shelving showing my new design; FIG. 2 is a bottom perspective exploded view thereof; and, FIG. 3 is a perspective view of the stackable industrial shelving in its complete assembled form.

### [56] References Cited

#### U.S. PATENT DOCUMENTS

D. 232,506	8/1974	Mazza .....	D6/479
D. 233,294	10/1974	Goulder .....	D6/474
D. 235,043	5/1975	Martinelli .....	D6/474



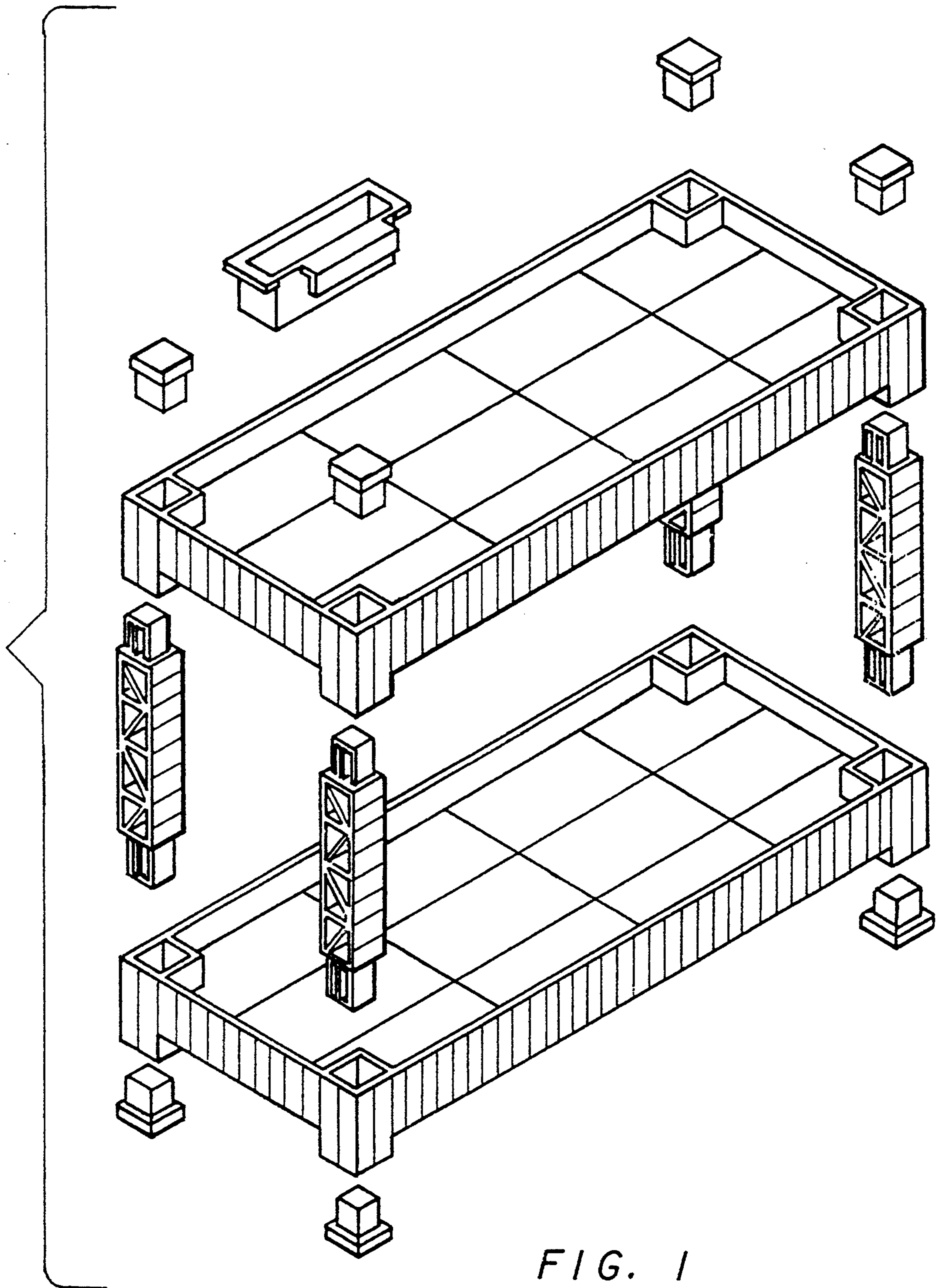


FIG. 1

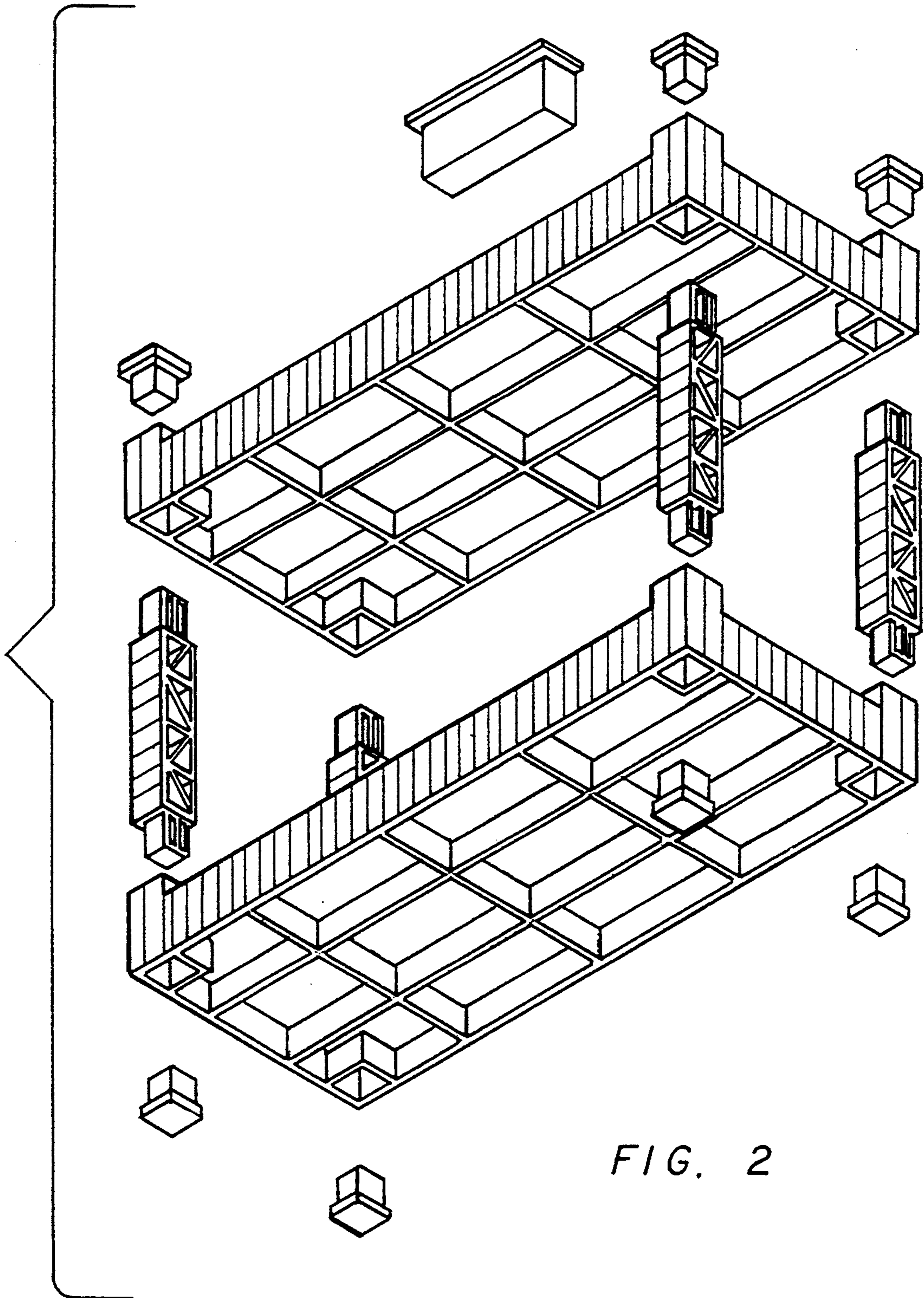


FIG. 2

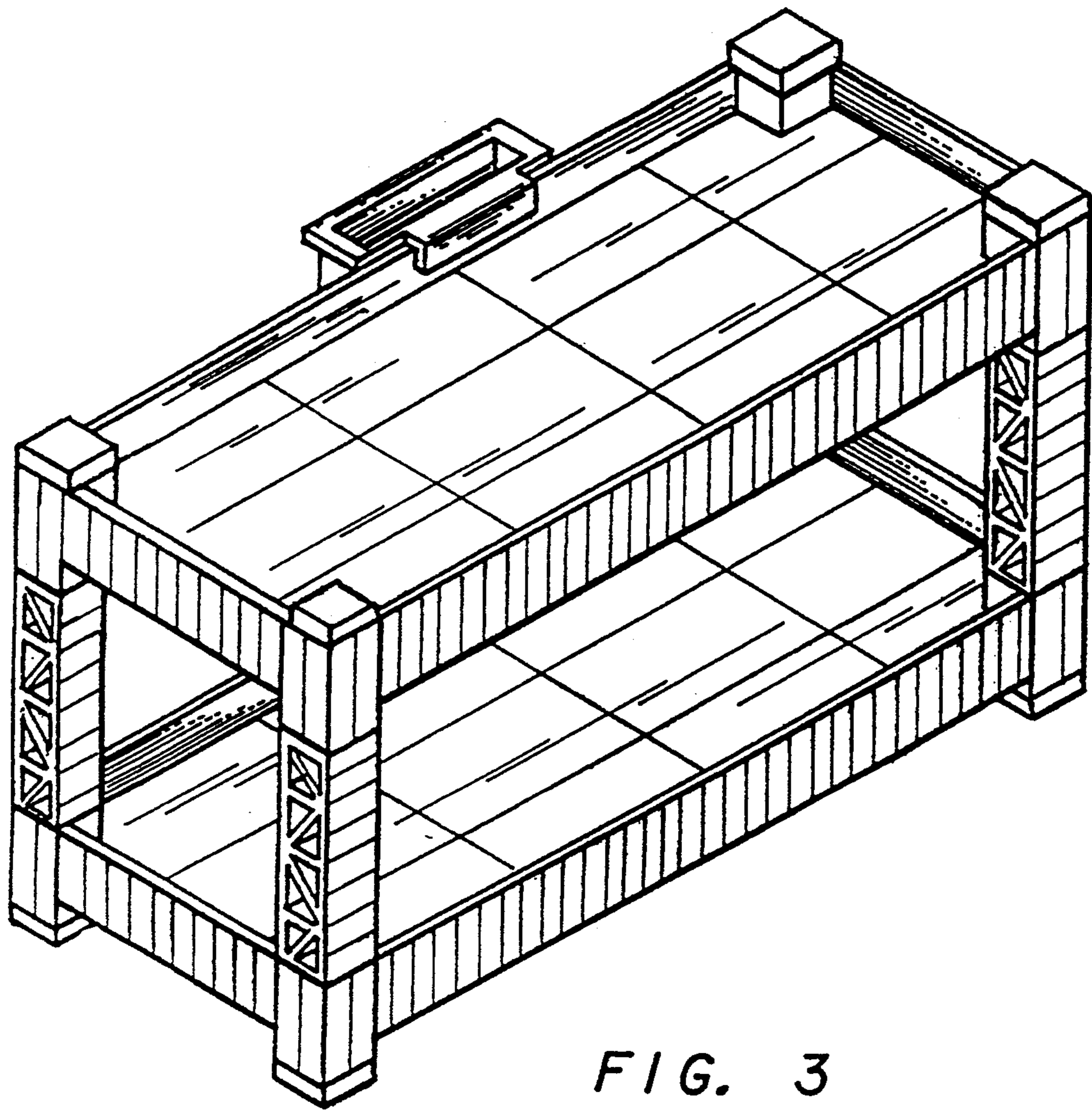


FIG. 3