



US00D355797S

United States Patent [19]

[11] Patent Number: **Des. 355,797**

Wenzel-Murphy et al.

[45] Date of Patent: **** Feb. 28, 1995**

[54] **DISPLAY RACK WITH DUAL CONICAL ENDS**

2,928,554 3/1960 Hyde D6/474 X
2,975,909 3/1961 Foster D6/474 X

[75] Inventors: **Karen Wenzel-Murphy, Yardley, Pa.;
Stan Kao, Bloomfield, N.J.**

Primary Examiner—Alan P. Douglas
Assistant Examiner—S. Snapp
Attorney, Agent, or Firm—Kenyon & Kenyon

[73] Assignee: **Kinney Shoe Corporation, New York,
N.Y.**

[57] **CLAIM**

[**] Term: **14 Years**

The ornamental design for a display rack with dual conical ends, as shown and described.

[21] Appl. No.: **1,598**

DESCRIPTION

[22] Filed: **Nov. 17, 1992**

[52] U.S. Cl. **D6/474**

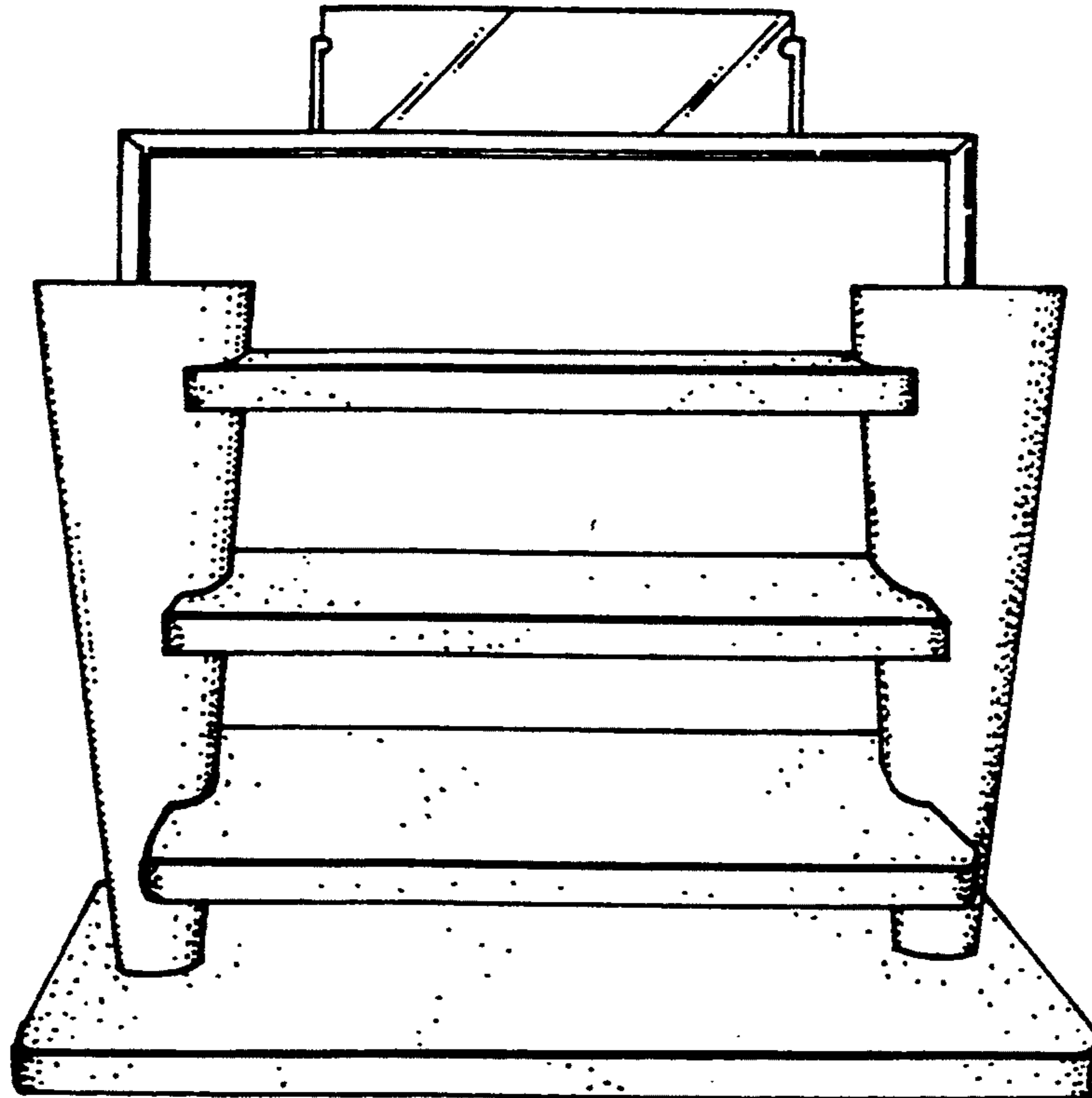
[58] Field of Search **D6/464-470,
D6/474-480, 564**

FIG. 1 is a front perspective view of a display rack with dual conical ends showing our new design;
FIG. 2 is a side view of a display rack with dual conical ends showing our new design wherein the view from the other side of the display rack is a mirror image of the side shown; and,
FIG. 3 is a cross-sectional view of a conical end of a display rack with dual conical ends taken along line 3-3 of FIG. 2.

[56] **References Cited**

U.S. PATENT DOCUMENTS

D. 47,022 3/1915 Bruton D6/476 X
D. 193,124 6/1962 Bernstein D6/479 X



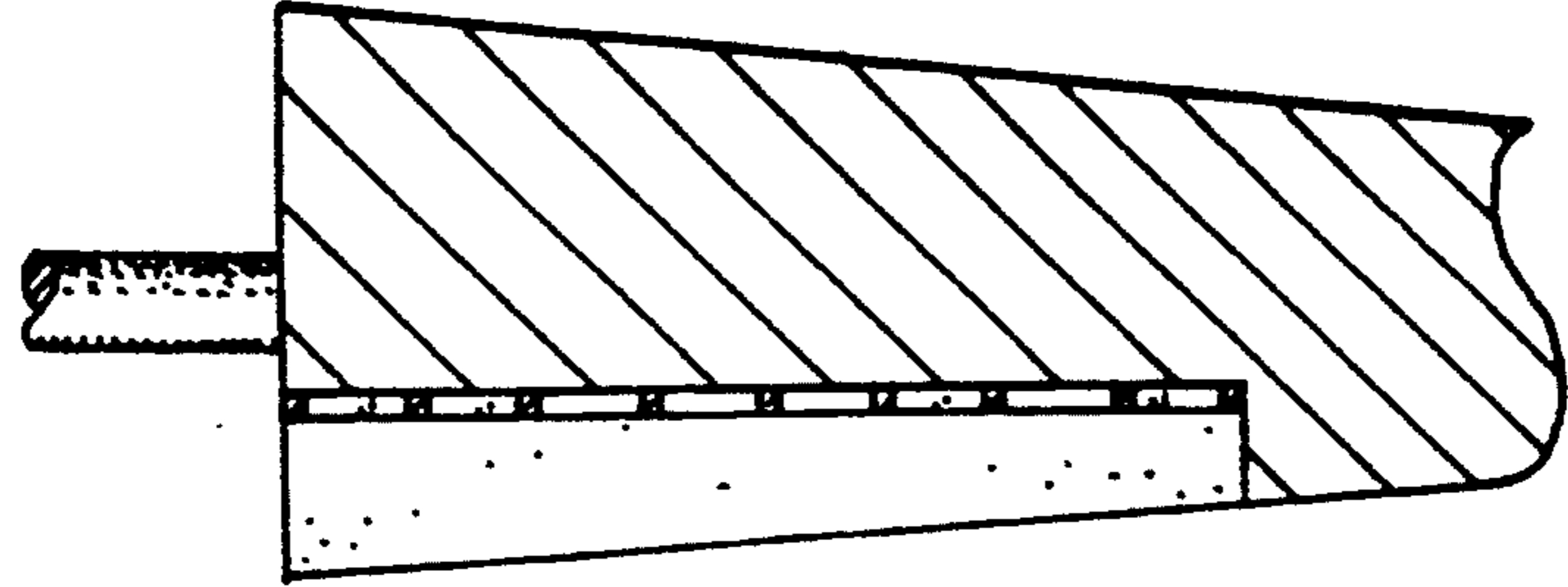


FIG. 3

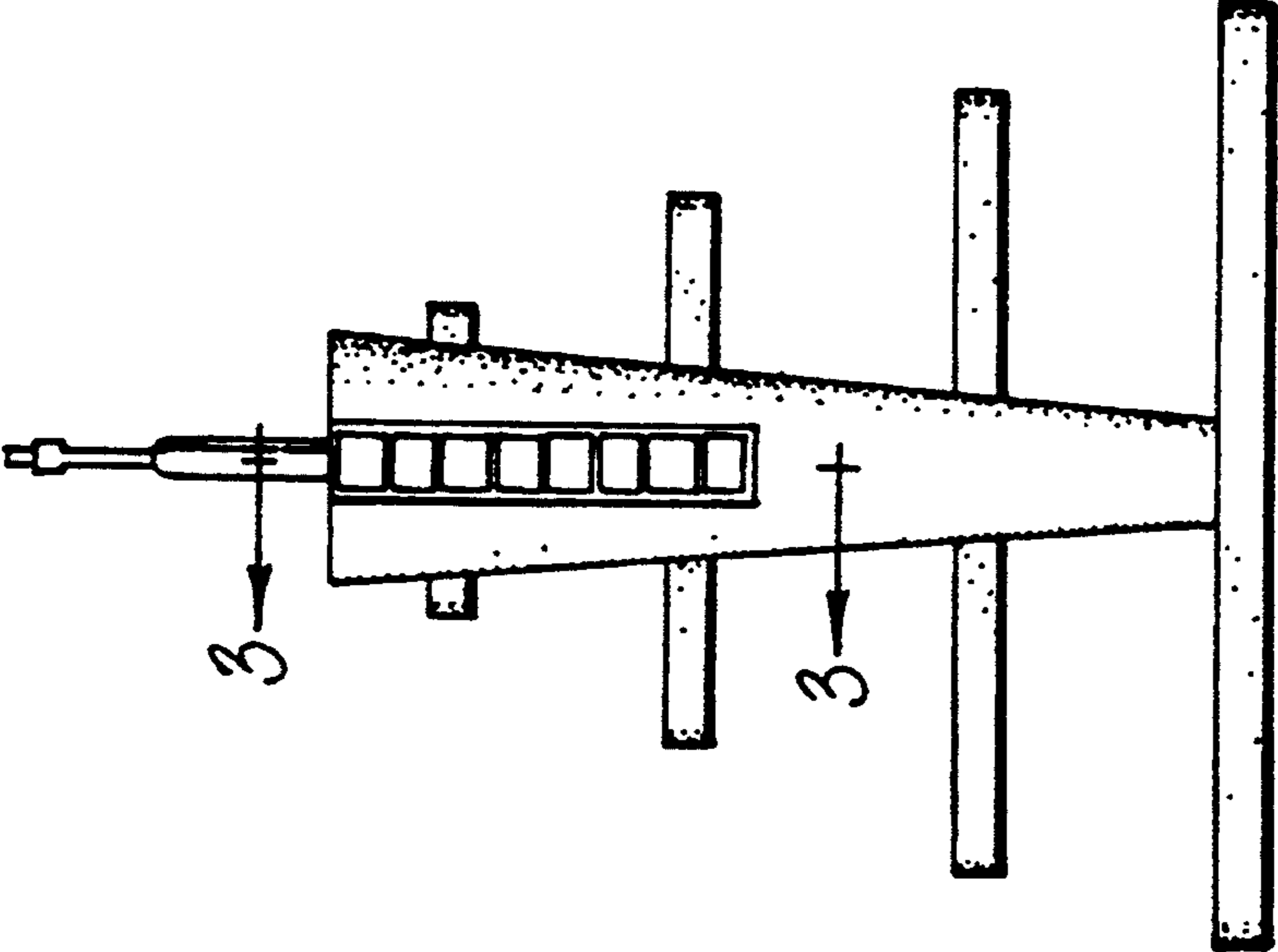


FIG. 2

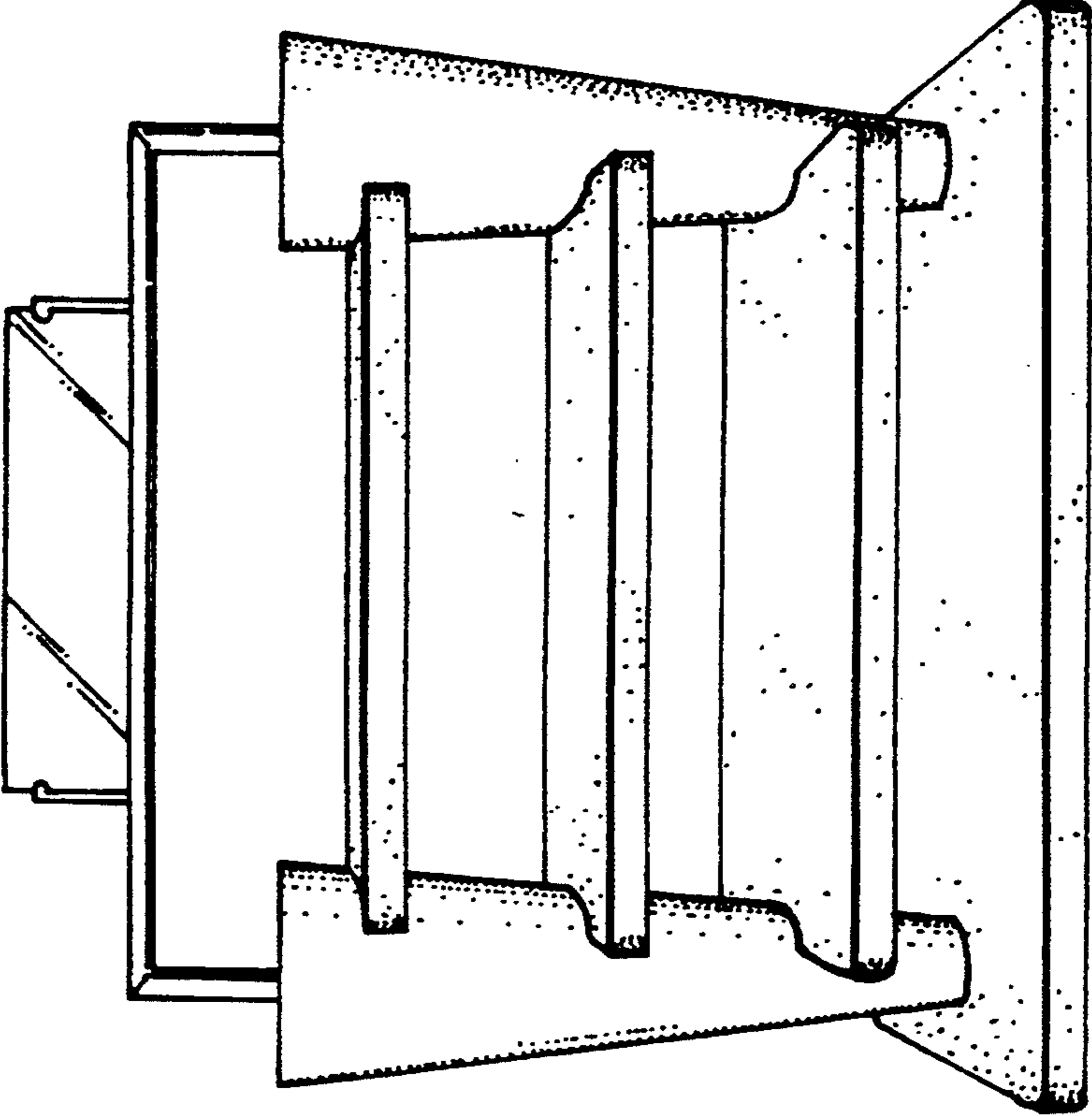


FIG. 1