



US00D355795S

# United States Patent [19]

[11] Patent Number: Des. 355,795

Stravitz

[45] Date of Patent: \*\* Feb. 28, 1995

[54] TOWER RACK

[76] Inventor: David M. Stravitz, 16 Park Ave., Ste. 14A, New York, N.Y. 10016

[\*\*] Term: 14 Years

[21] Appl. No.: 16,334

[22] Filed: Dec. 13, 1993

[52] U.S. Cl. .... D6/465; D6/407

[58] Field of Search ..... D6/462-465, D6/473, 476, 407, 410, 411, 629, 630; 211/40-43, 34, 189, 181, 182, 13

[56] **References Cited**

**U.S. PATENT DOCUMENTS**

D. 106,367	10/1937	Kee	.....	D6/473	X
D. 309,998	8/1990	Sumrell et al.	.....	D6/407	X
D. 348,366	7/1994	Stravitz	.....	D6/407	X
2,152,192	3/1939	Hoffman	.....	211/34	
3,464,565	9/1969	Nevai	.....	211/42	
4,697,713	10/1987	Pryor	.....	211/34	X
5,035,332	7/1991	Stravitz	.....	211/40	

Primary Examiner—Alan P. Douglas

Assistant Examiner—Jeffrey Asch  
Attorney, Agent, or Firm—Frishauf, Holtz, Goodman & Woodward

[57] **CLAIM**

The ornamental design for a tower rack, as shown and described.

**DESCRIPTION**

FIG. 1 is a front, right-side perspective view of a tower rack showing my new design;  
 FIG. 2 is a top plan view thereof;  
 FIG. 3 is a front elevational view thereof;  
 FIG. 4 is a left side elevational view thereof, the right side elevational view being a mirror image;  
 FIG. 5 is a rear elevational view thereof;  
 FIG. 6 is a bottom plan view thereof;  
 FIG. 7 is a front, right-side perspective view of a second embodiment of the tower rack shown in FIG. 1;  
 FIG. 8 is a top plan view thereof;  
 FIG. 9 is a front elevational view thereof;  
 FIG. 10 is a left side elevational view thereof, the right side elevational view being a mirror image;  
 FIG. 11 is a rear elevational view thereof; and,  
 FIG. 12 is a bottom plan view thereof.

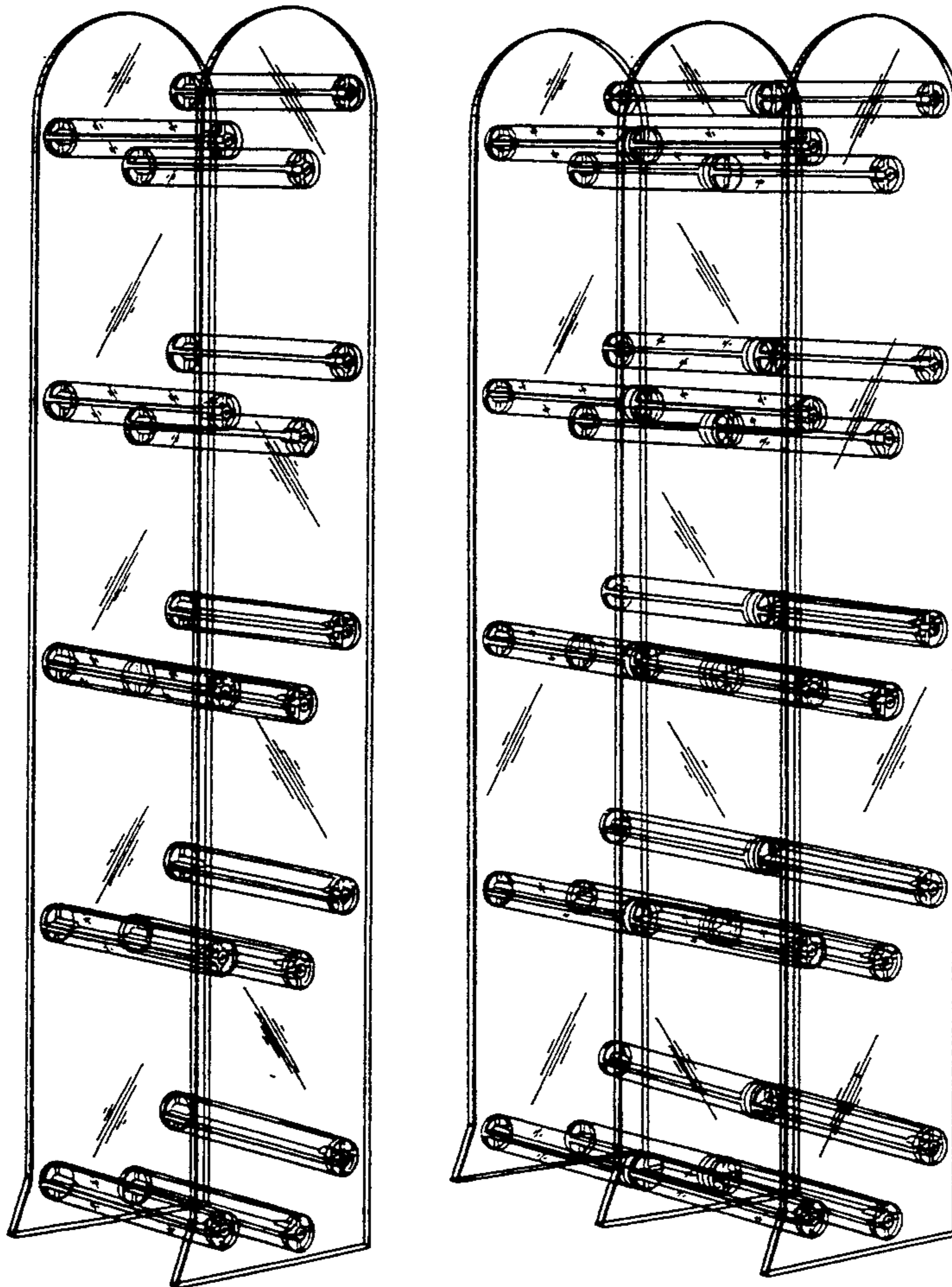


FIG. 1

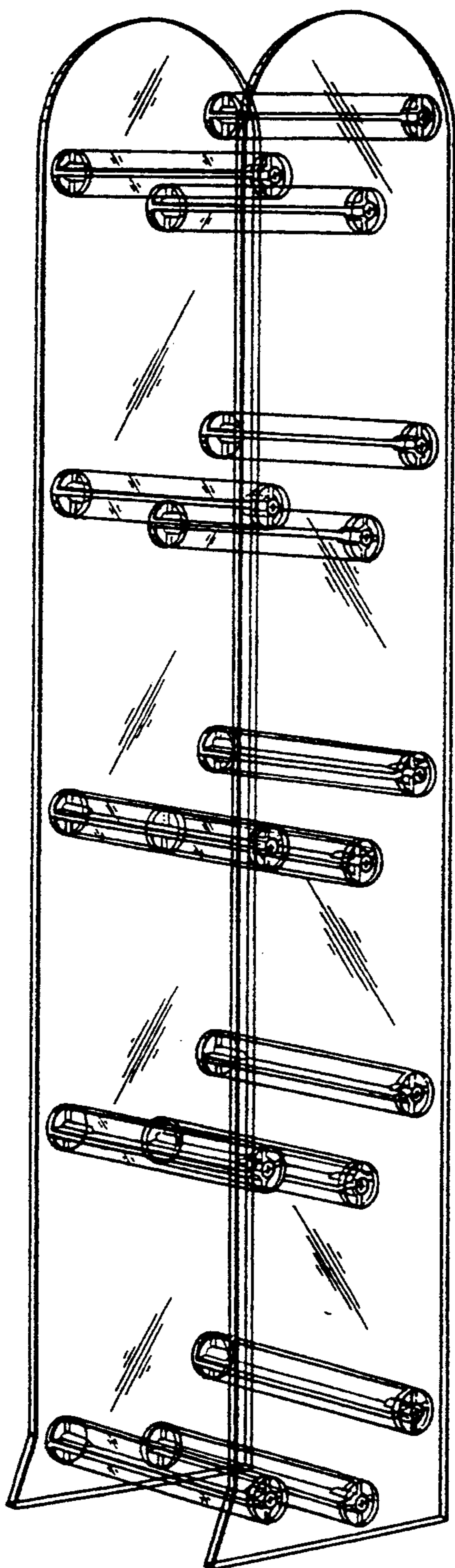


FIG. 4

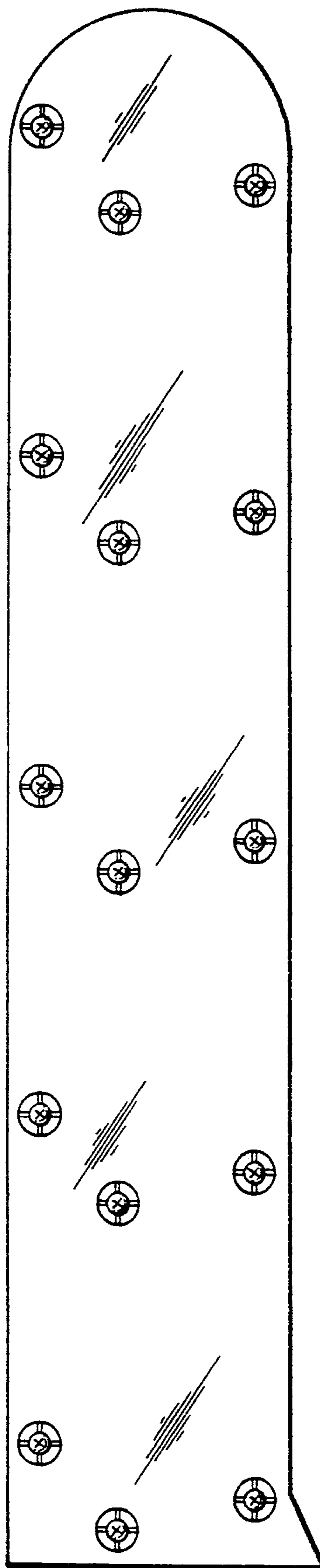


FIG. 2

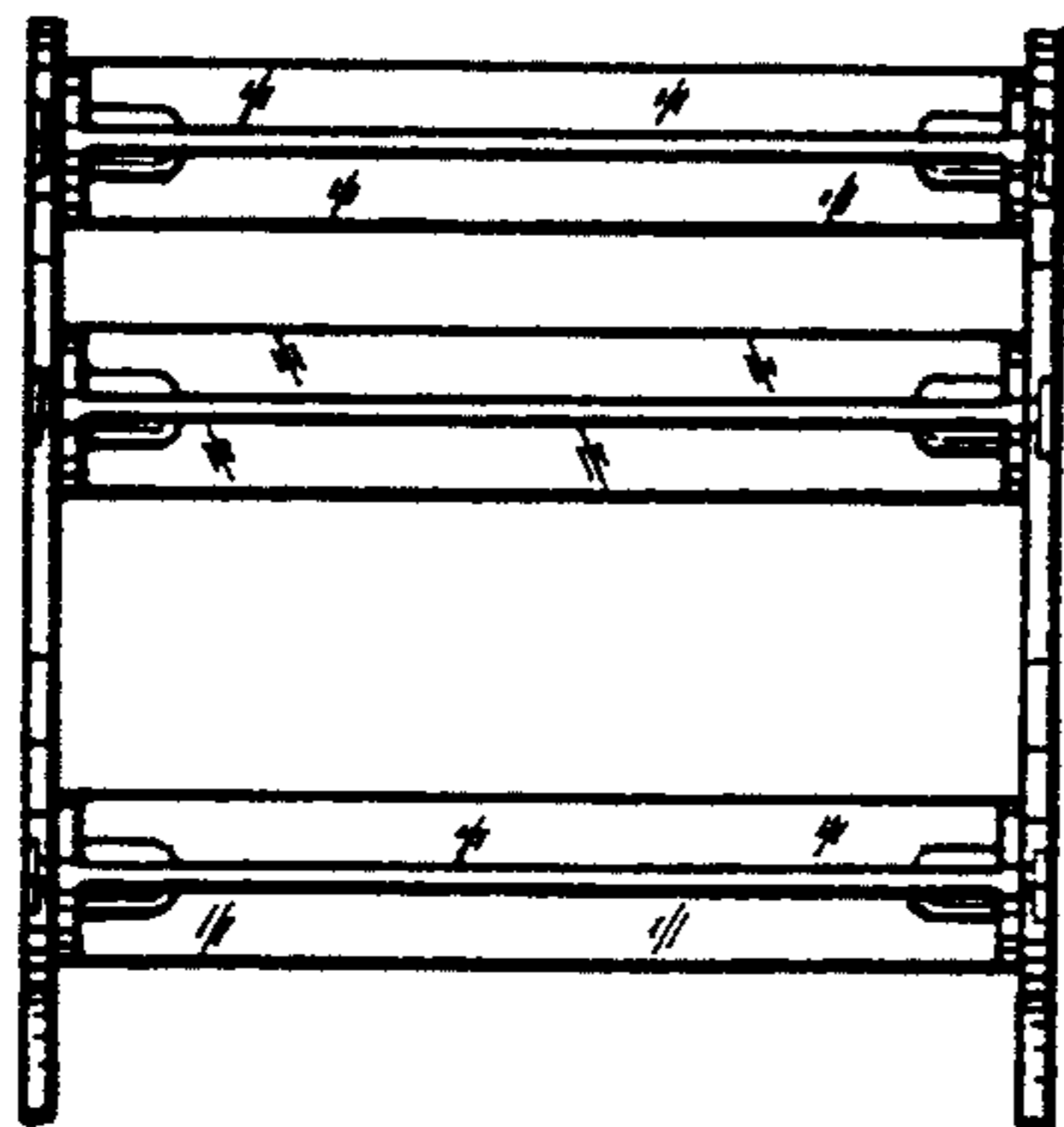


FIG. 3

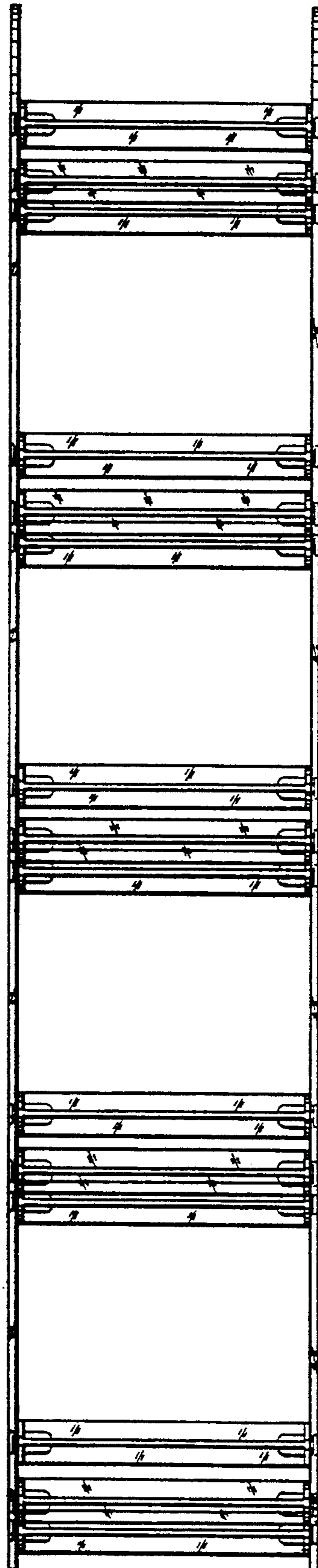


FIG. 5

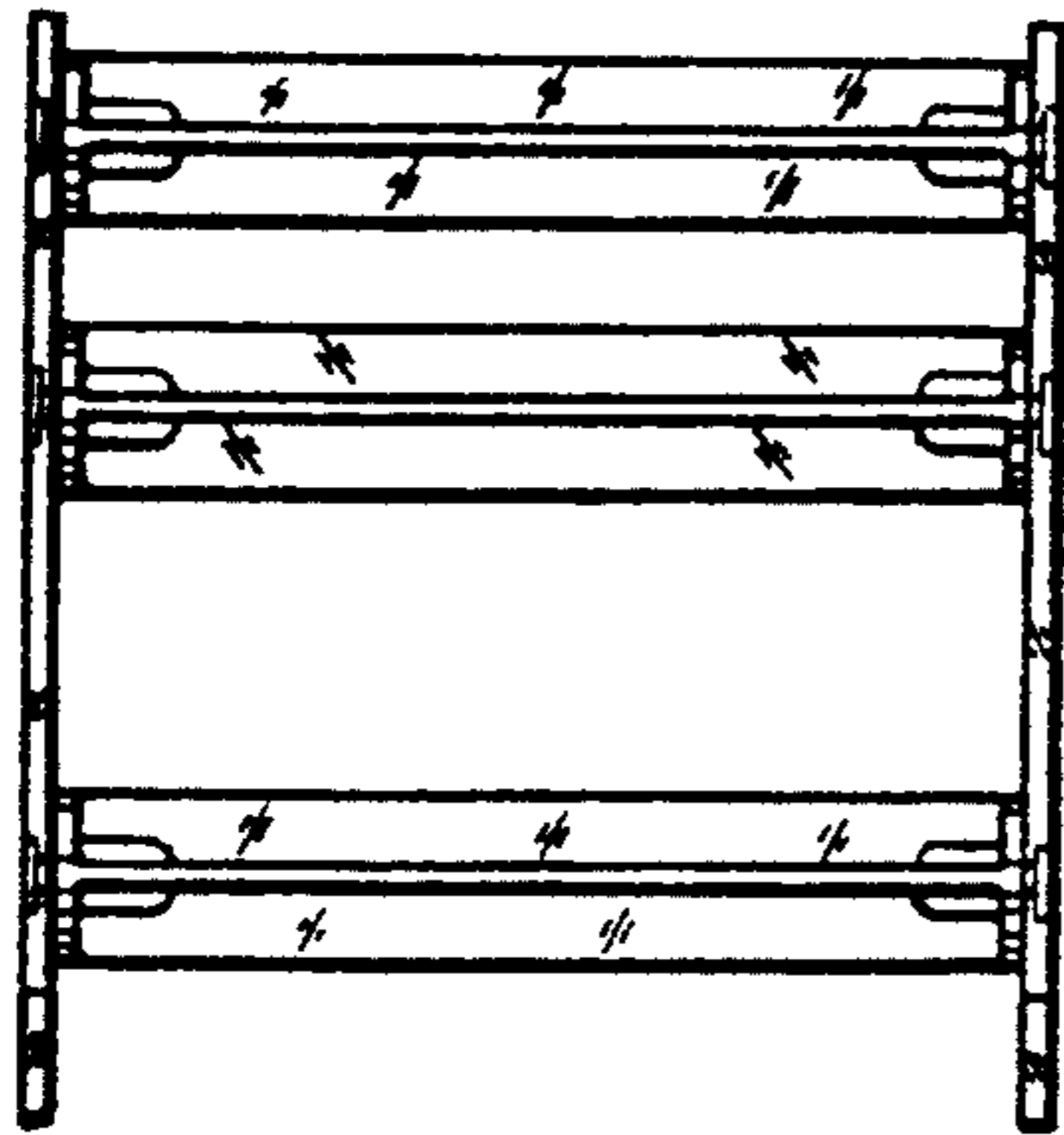
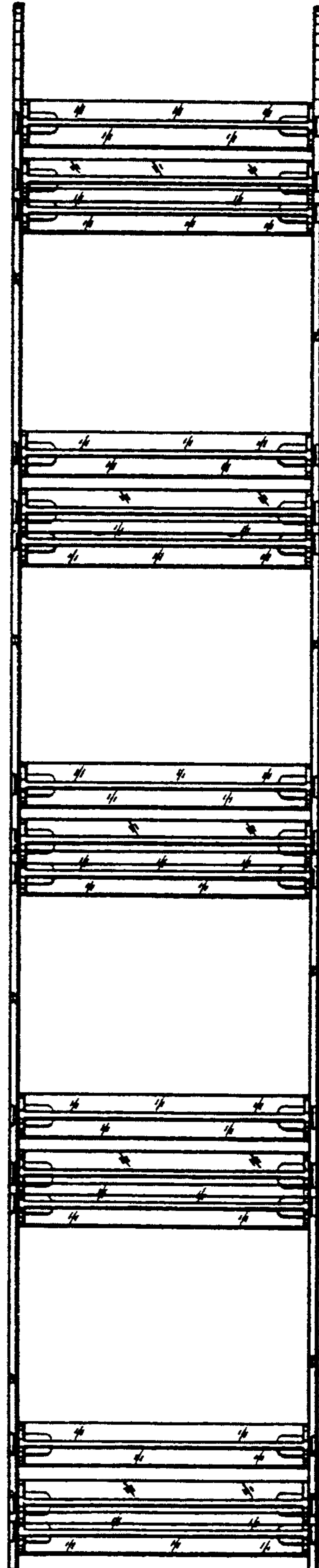


FIG. 6

FIG. 7

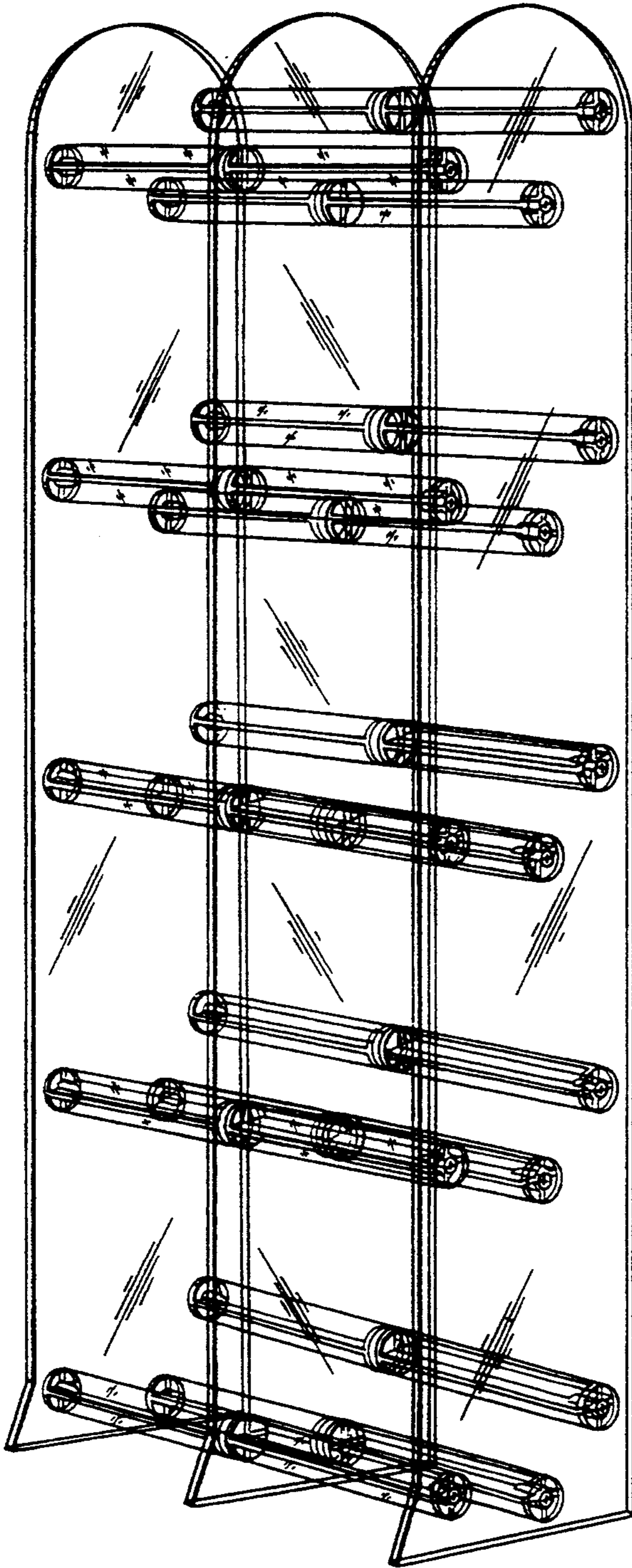
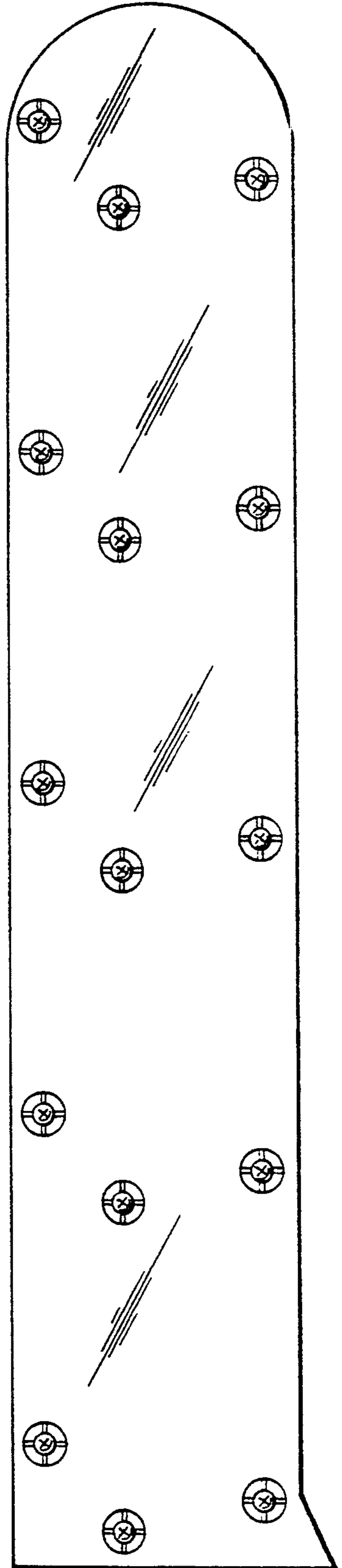


FIG. 10



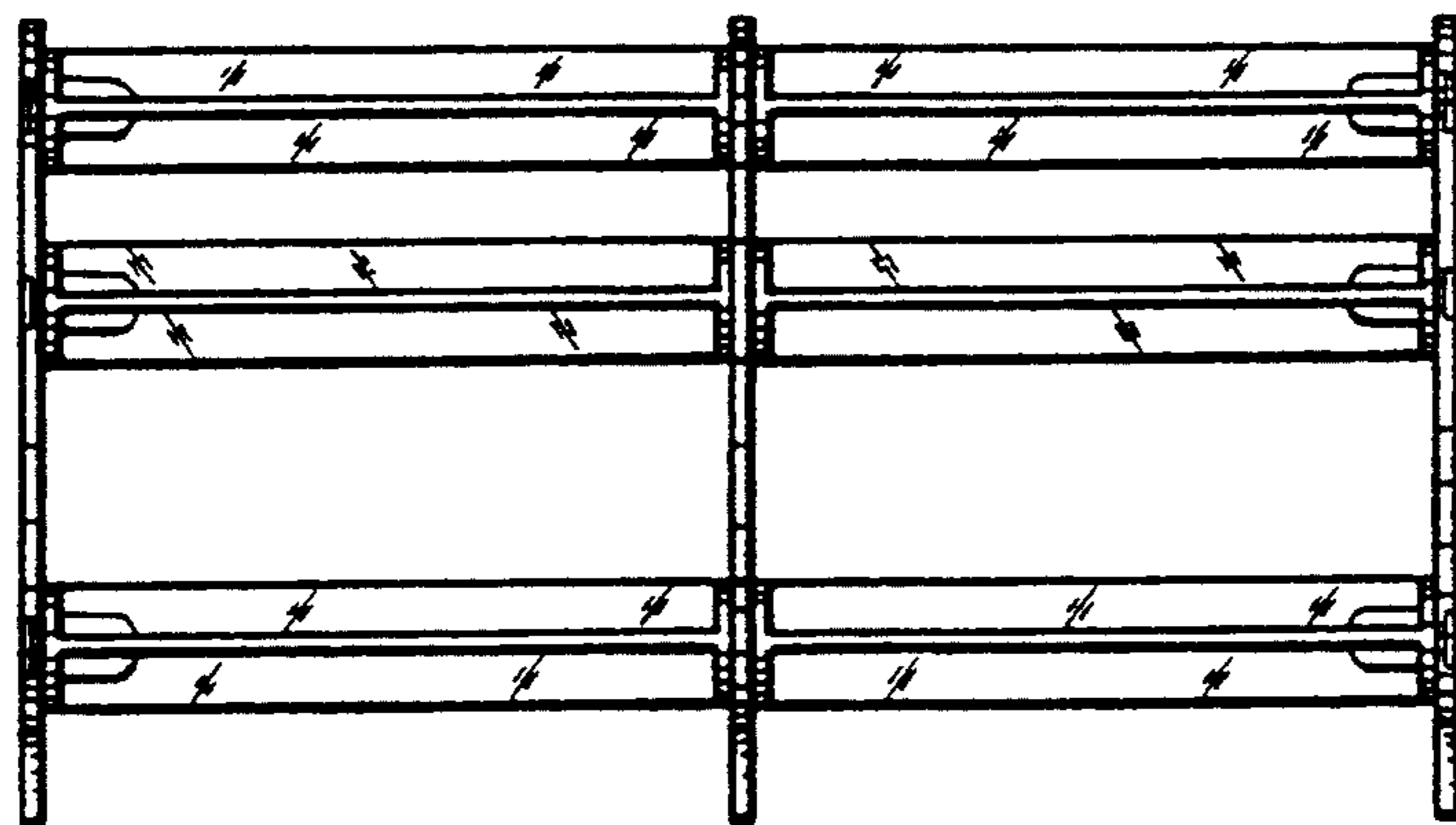


FIG. 8

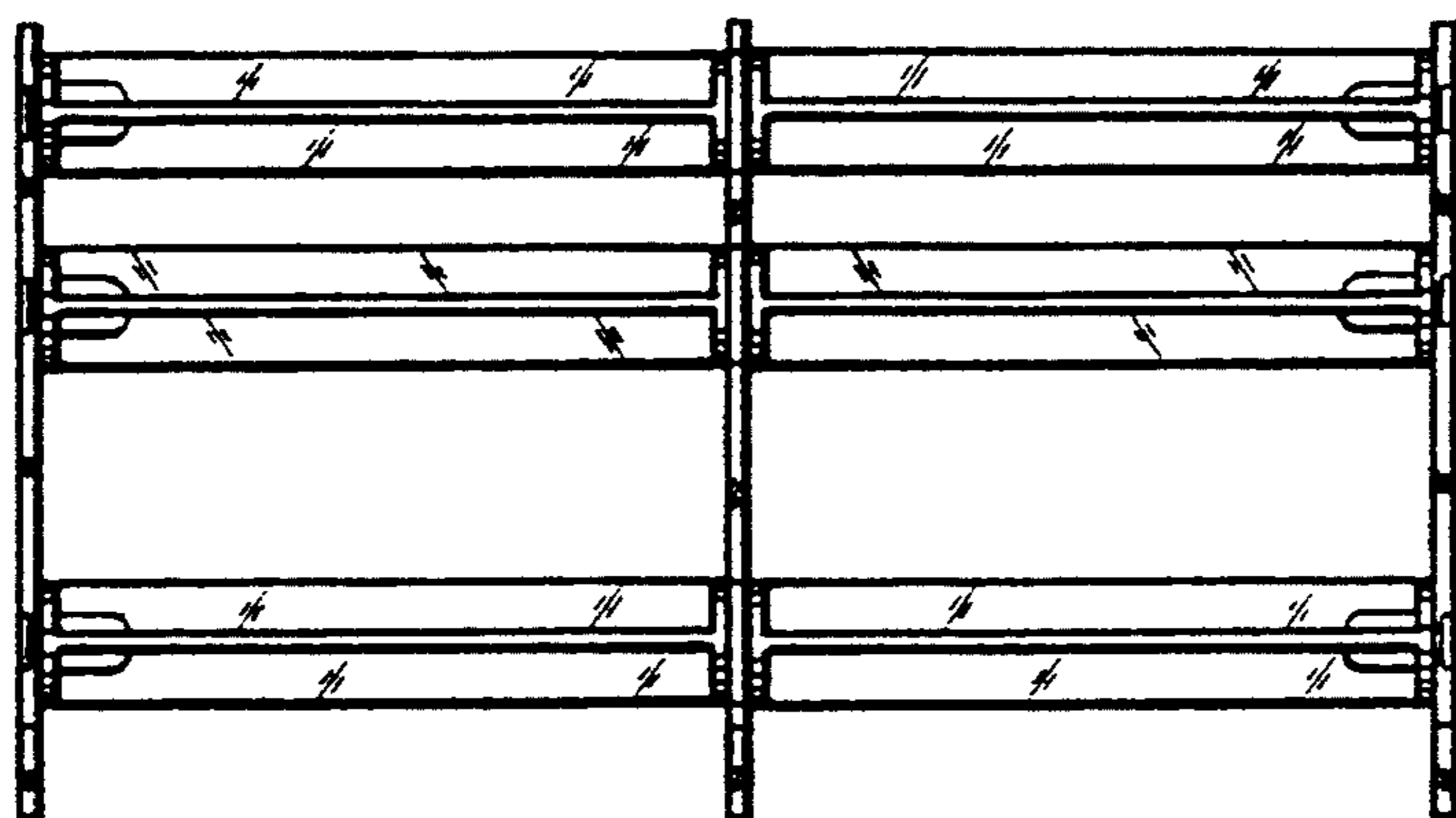


FIG. 12

FIG. 9

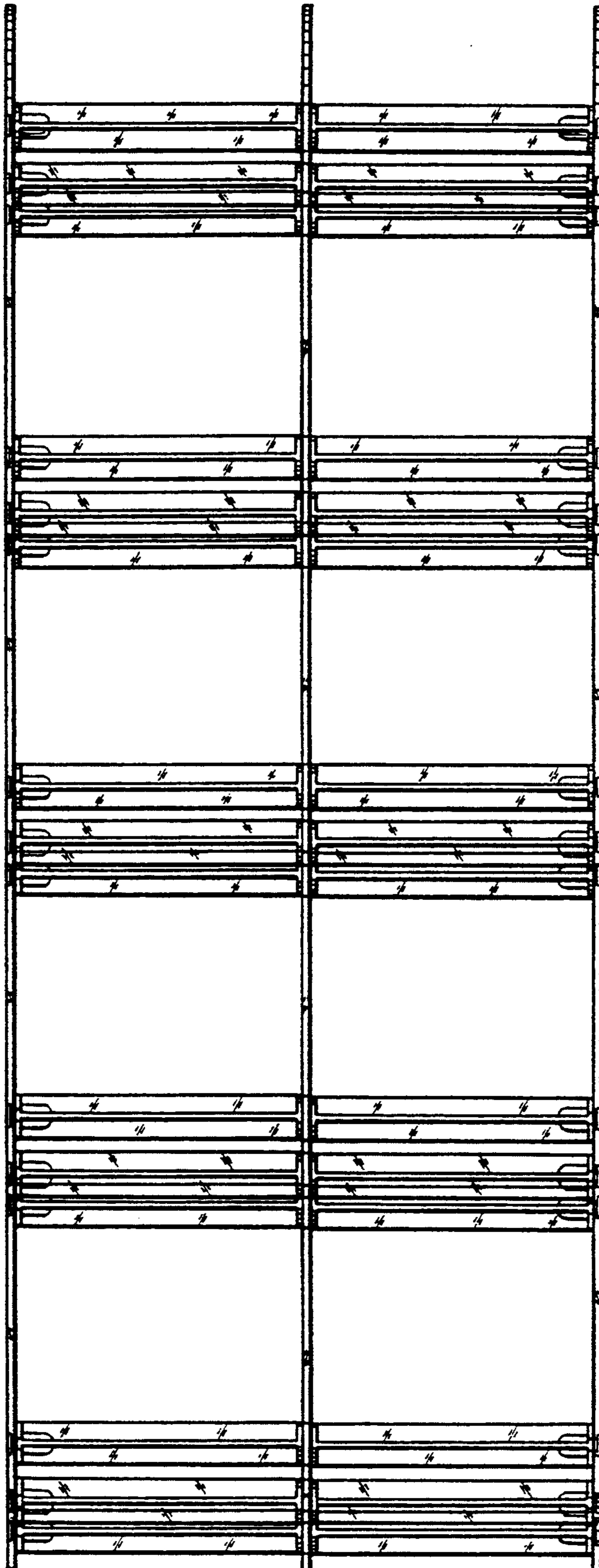


FIG. II

