



US00D355792S

United States Patent [19]

[11] Patent Number: **Des. 355,792**

White

[45] Date of Patent: **** Feb. 28, 1995**

[54] MULTI-PURPOSE DISPLAY STAND

[76] Inventor: **Robert L. White**, 809 Lear La., New Lenox, Ill. 60451

[**] Term: **14 Years**

[21] Appl. No.: **877,608**

[22] Filed: **May 1, 1992**

[52] U.S. Cl. **D6/450**

[58] Field of Search **D11/131; D6/450, 449, D6/451; 428/542.4; D9/307**

[56] References Cited

U.S. PATENT DOCUMENTS

D. 37,298	1/1905	Maddock	D7/515 X
D. 65,866	10/1924	Moorhead	.	
D. 110,902	8/1938	Loesch	D7/558
D. 119,614	3/1940	Fuerst	.	
D. 158,699	5/1950	Wasilevich	D11/131 X
D. 167,667	9/1952	Babany	D36/8
D. 212,818	11/1968	Flaherty	D7/515 X
D. 228,328	9/1973	Schley	D7/515 X
D. 231,301	4/1974	Krieger et al.	D7/559
D. 241,105	8/1976	Krieger	D7/586
D. 249,438	9/1978	Meier et al.	D7/515 X
D. 249,918	10/1978	Block et al.	D7/514
D. 272,404	1/1984	Angelakos	D7/17
D. 278,014	3/1985	Faris	D7/505
D. 283,009	3/1986	Jennette	D7/515 X
D. 292,462	10/1987	Petrasek	D7/515
D. 301,003	5/1989	Burns	D7/515
D. 304,262	10/1989	Mays	D9/307 X
1,829,664	10/1931	McKay	.	
2,665,571	1/1954	Lockhead	65/22
2,840,842	7/1958	Kaheny	D9/307 X
3,078,005	2/1963	Lewerth	220/20
3,565,281	2/1971	Collie	220/69
3,624,939	12/1971	Gossard	D7/539 X
4,506,799	3/1985	Mason, Jr.	220/69

OTHER PUBLICATIONS

Potpourri Catalog, Autumn 1987, Ball Pens, in Design Library.

Primary Examiner—Alan P. Douglas

Assistant Examiner—S. Snapp

Attorney, Agent, or Firm—Wallenstein, Wagner & Hattis, Ltd.

[57] CLAIM

The ornamental design for a multi-purpose display stand, as shown and described.

DESCRIPTION

FIG. 1 is a top perspective view showing a first embodiment of my new design of a multi-purpose display stand for a football, shown in phantom lines, oriented with the ball receptacle facing upwards and the food receptacle facing downwards;

FIG. 2 is a side elevational view of the stand of FIG. 1;

FIG. 3 is a top plan view of the stand of FIG. 1;

FIG. 4 is a bottom plan view of the stand of FIG. 1;

FIG. 5 is a top perspective view showing a second embodiment of my new design of a multi-purpose display stand for a baseball, shown in phantom lines, oriented with the ball receptacle facing upwards and the food receptacle facing downwards;

FIG. 6 is a side elevational view of the stand of FIG. 5;

FIG. 7 is a top plan view of the stand of FIG. 5;

FIG. 8 is a bottom plan view of the stand of FIG. 5;

FIG. 9 is a top perspective view showing a third embodiment of my new design of a multi-purpose display stand for a hockey puck, shown in phantom lines, oriented with the puck receptacle facing upwards and the food receptacle facing downwards;

FIG. 10 is a side elevational view of the stand of FIG. 9;

FIG. 11 is a top plan view of the stand of FIG. 9;

FIG. 12 is a bottom plan view of the stand of FIG. 9;

FIG. 13 is a top perspective view showing a fourth embodiment of my new design of a multi-purpose display stand for a basketball, shown in phantom lines, oriented with the ball receptacle facing upwards and the food receptacle facing downwards;

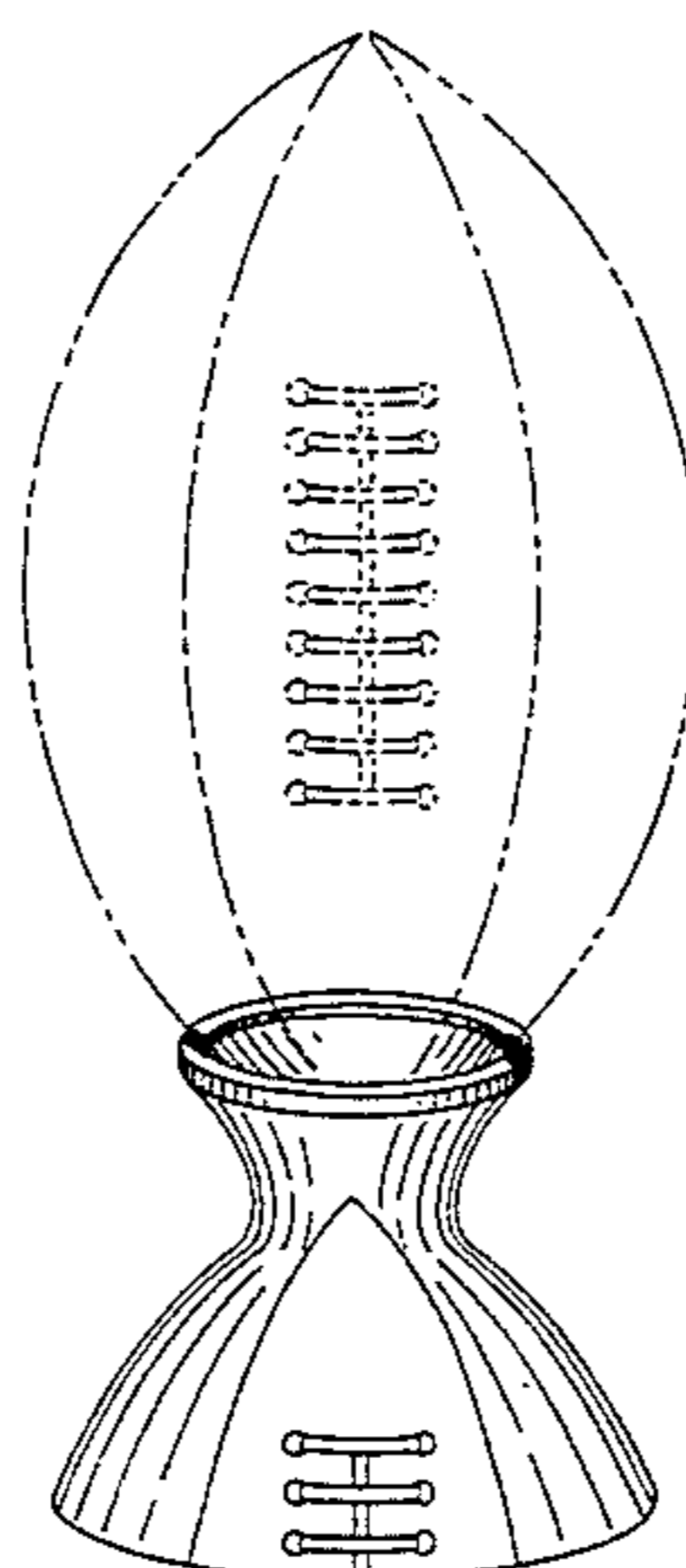
FIG. 14 is a side elevational view of the stand of FIG. 13;

FIG. 15 is a top plan view of the stand of FIG. 13;

FIG. 16 is a bottom plan view of the stand of FIG. 13;

FIG. 17 is a top perspective view showing a fifth embodiment of my new design of a multi-purpose display stand for a soccer ball, shown in phantom lines, oriented with the ball receptacle facing upwards and the food receptacle facing downwards;

(Description continued on next page.)



DESCRIPTION

FIG. 18 is a side elevational view of the stand of FIG. 17;

FIG. 19 is a top plan view of the stand of FIG. 17;

FIG. 20 is a bottom plan view of the stand of FIG. 17;

FIG. 21 is a top perspective view showing a sixth embodiment of my new design of a multi7purpose display stand for a volleyball, shown in pantom lines, oriented

with the ball receptacle facing upwards and the food receptacle facing downwards;

FIG. 22 is a side elevational view of the stand of FIG. 21;

FIG. 23 is a top plan view of the stand of FIG. 21; and,

FIG. 24 is a bottom plan view of the stand of FIG. 21. The phantom line disclosures shown in FIGS. 1, 5, 9, 13, 17 & 21 are for illustrative purposes only and do not form any part of the claimed design.

FIG. 1

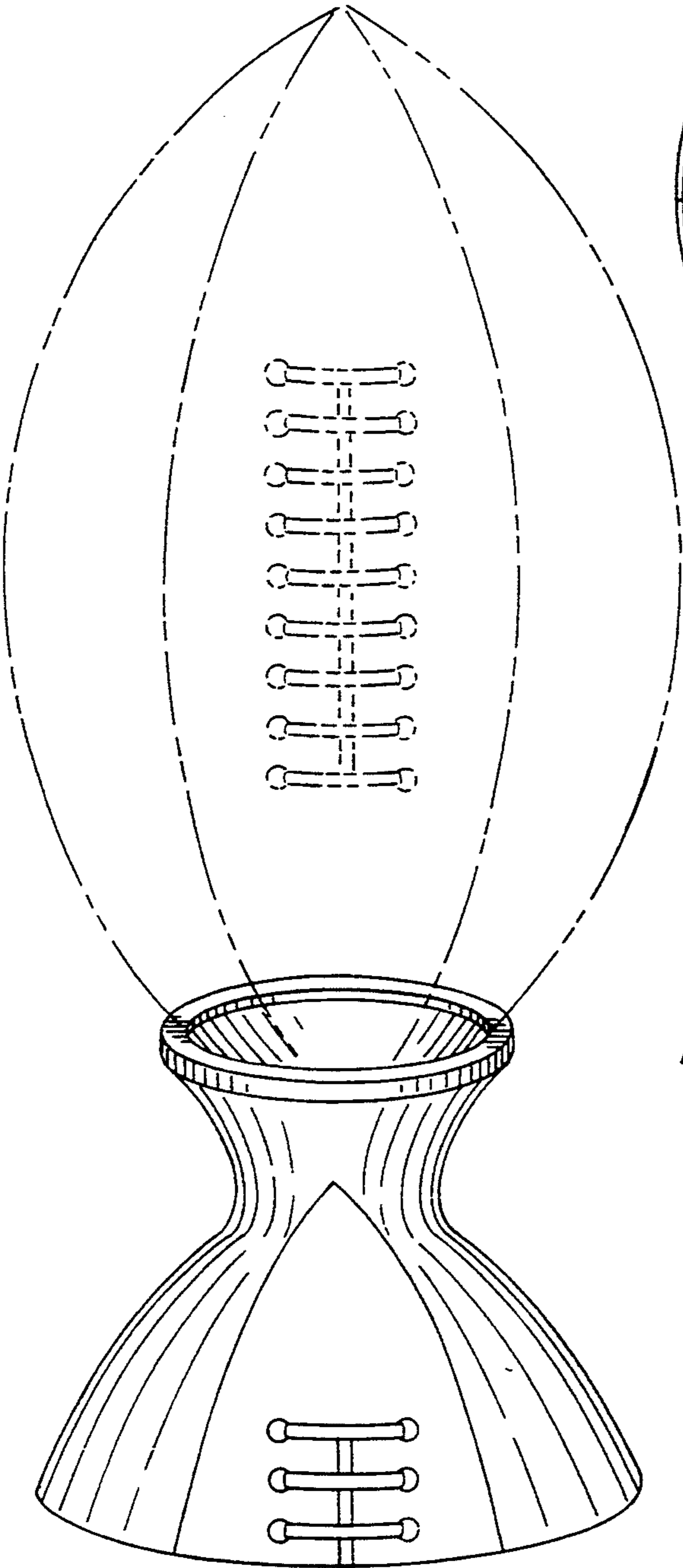


FIG. 3

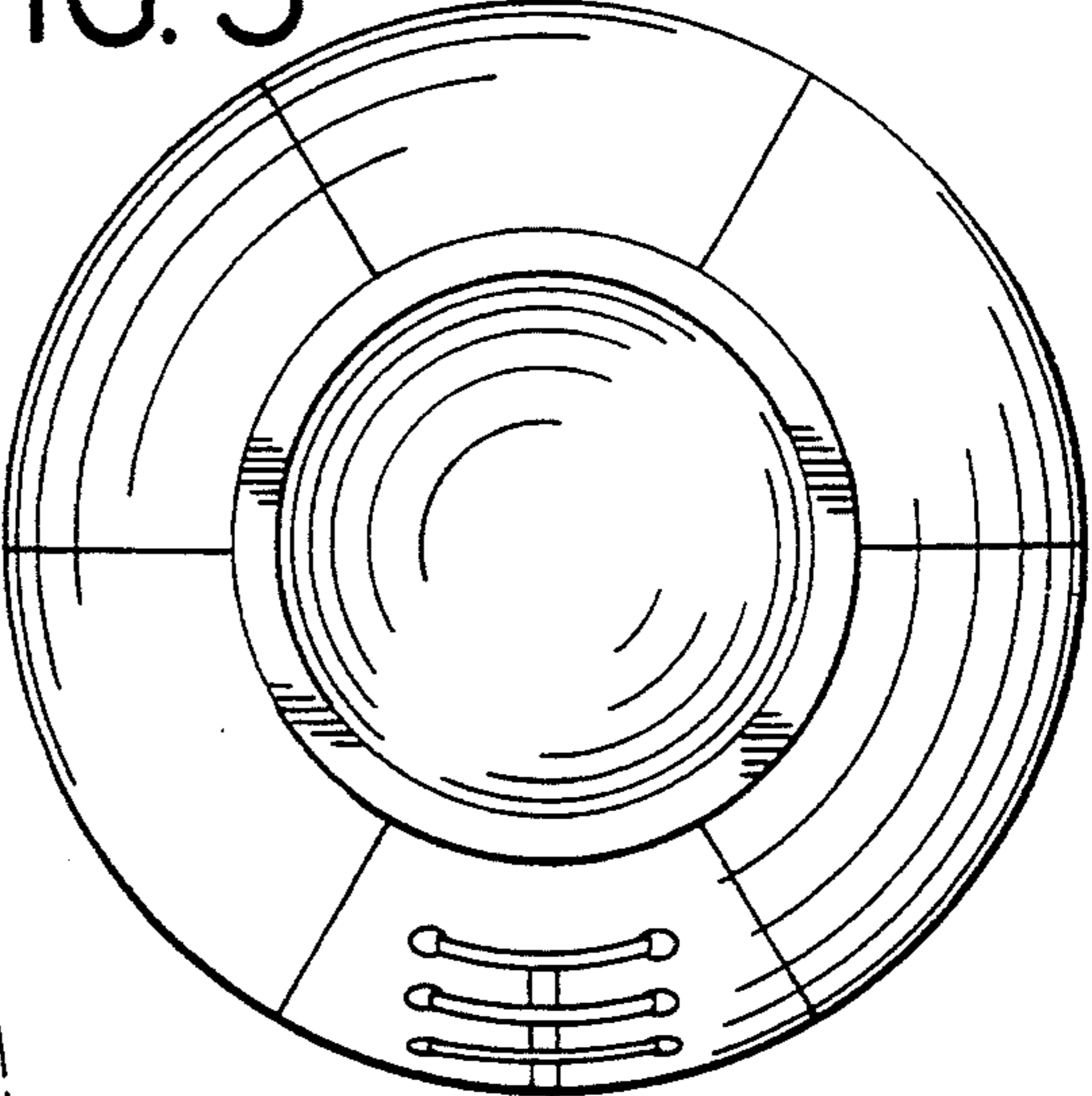


FIG. 2

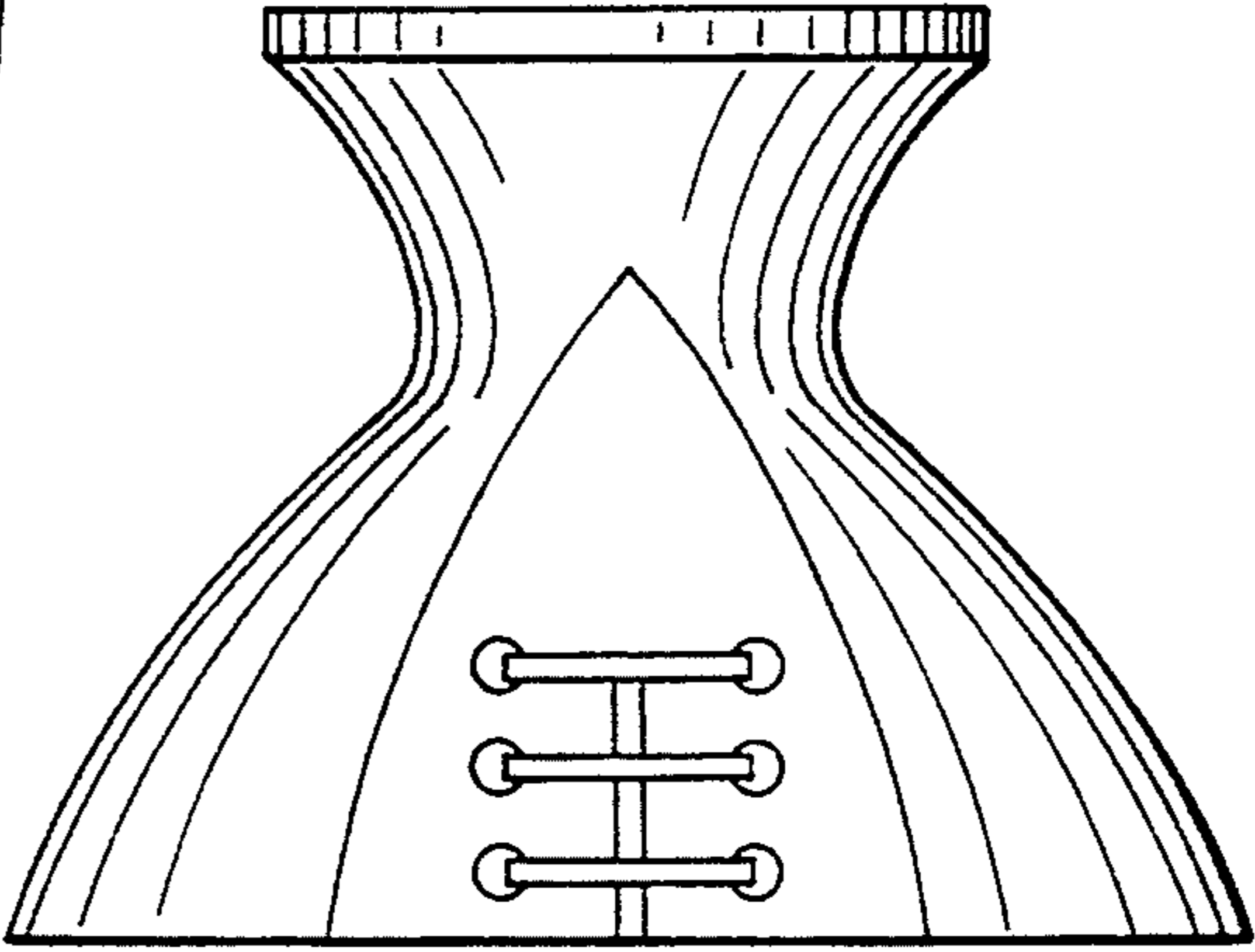


FIG. 4

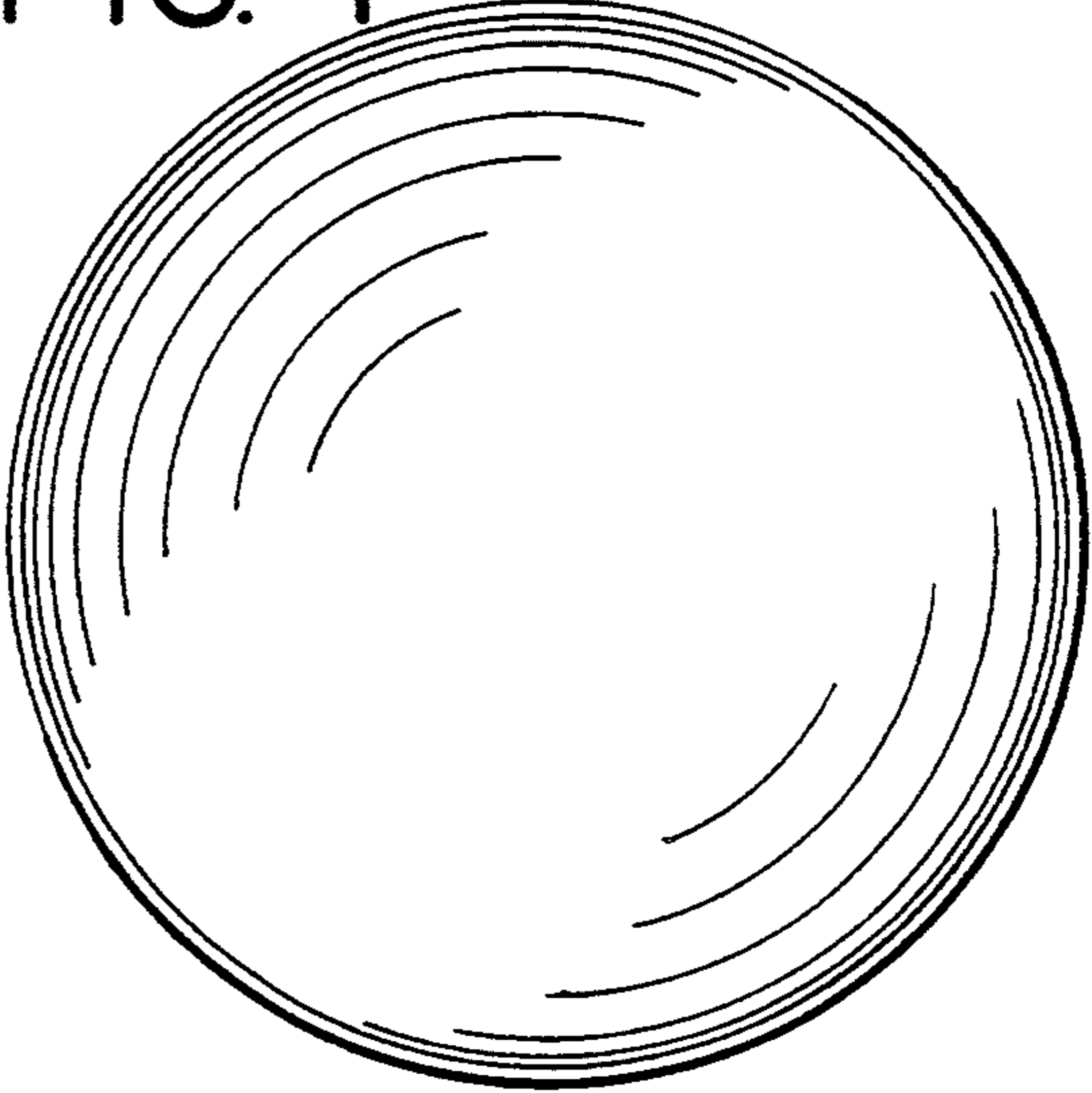


FIG. 5

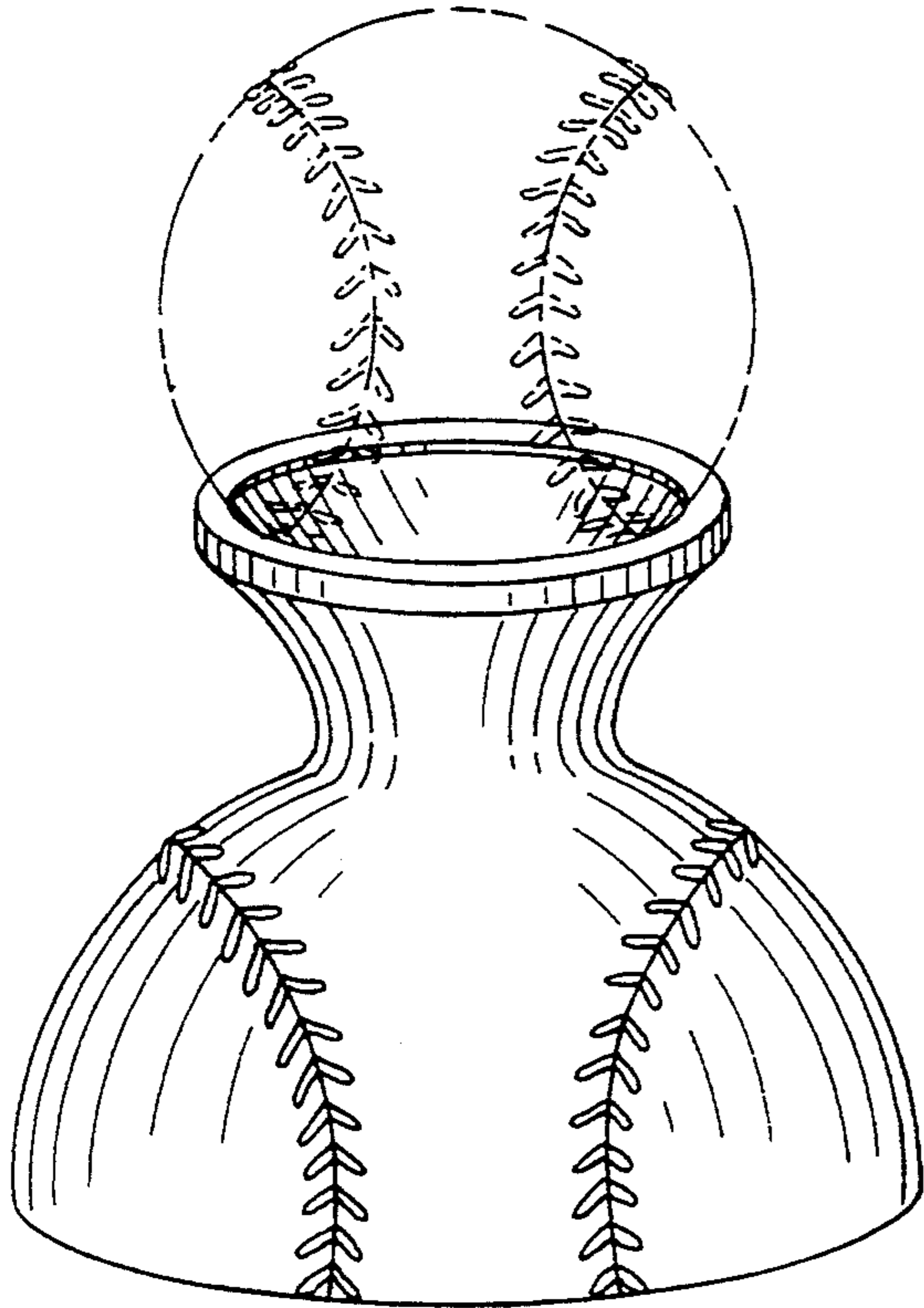


FIG. 6

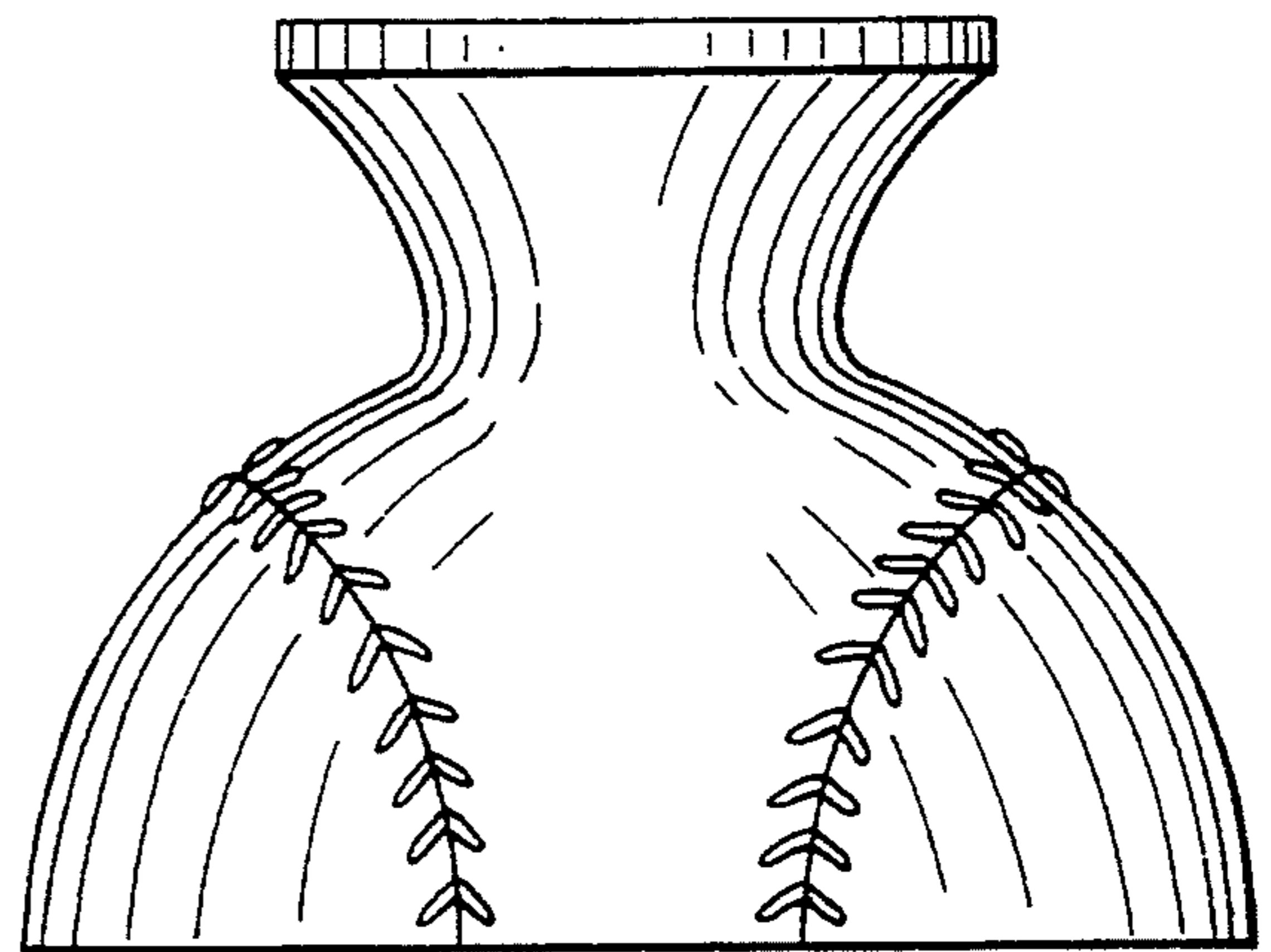


FIG. 7

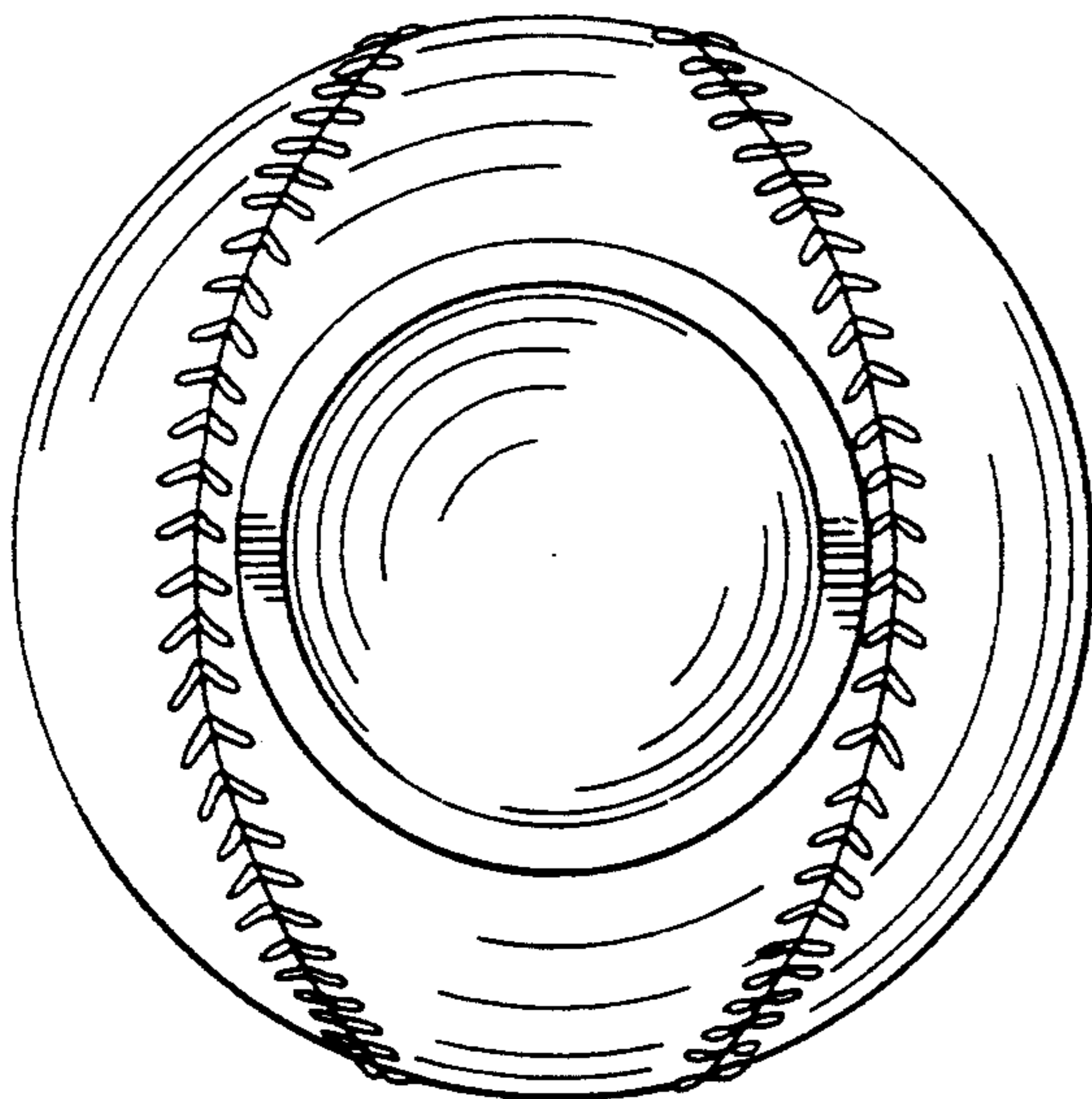


FIG. 8

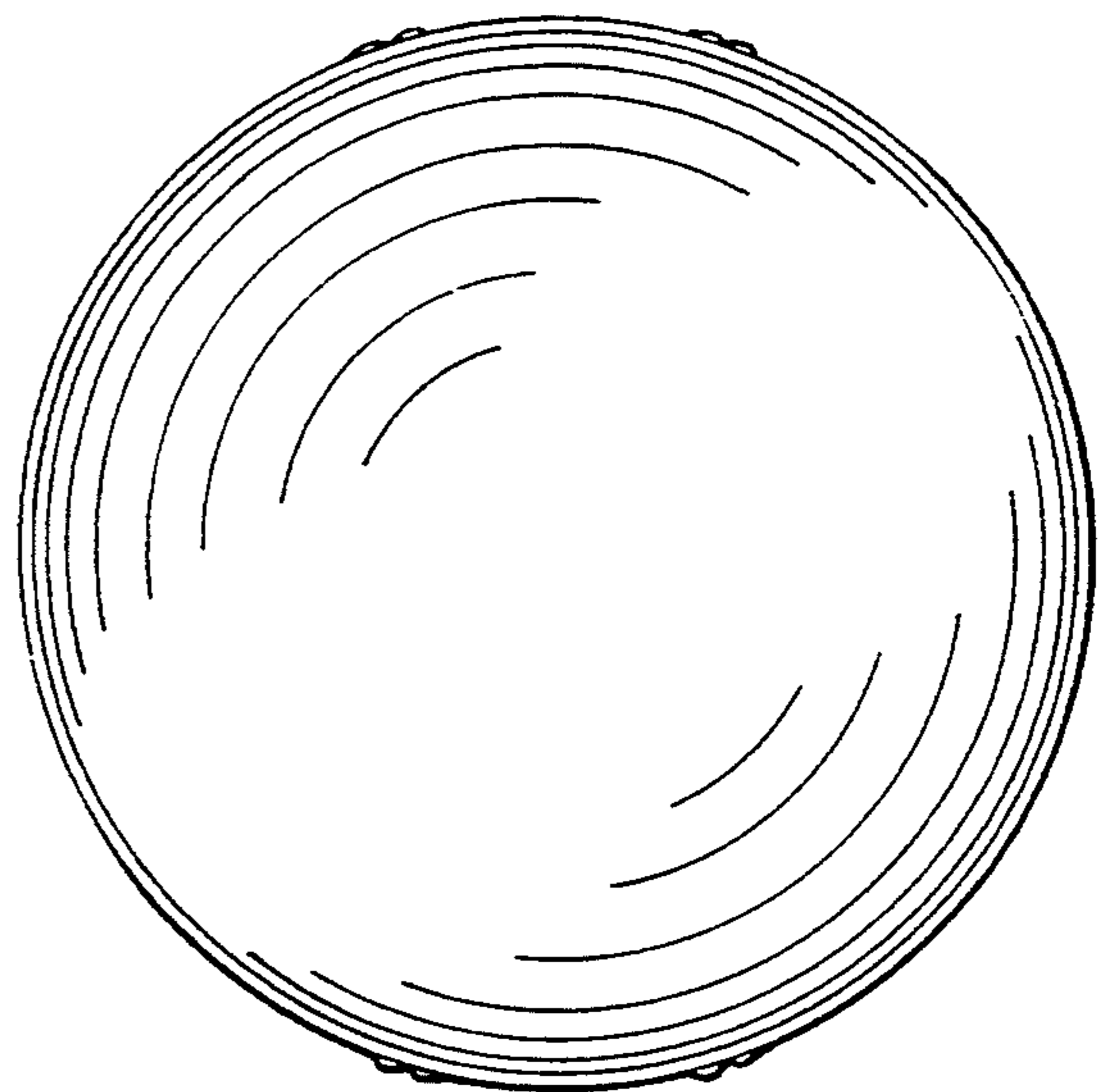


FIG. 9

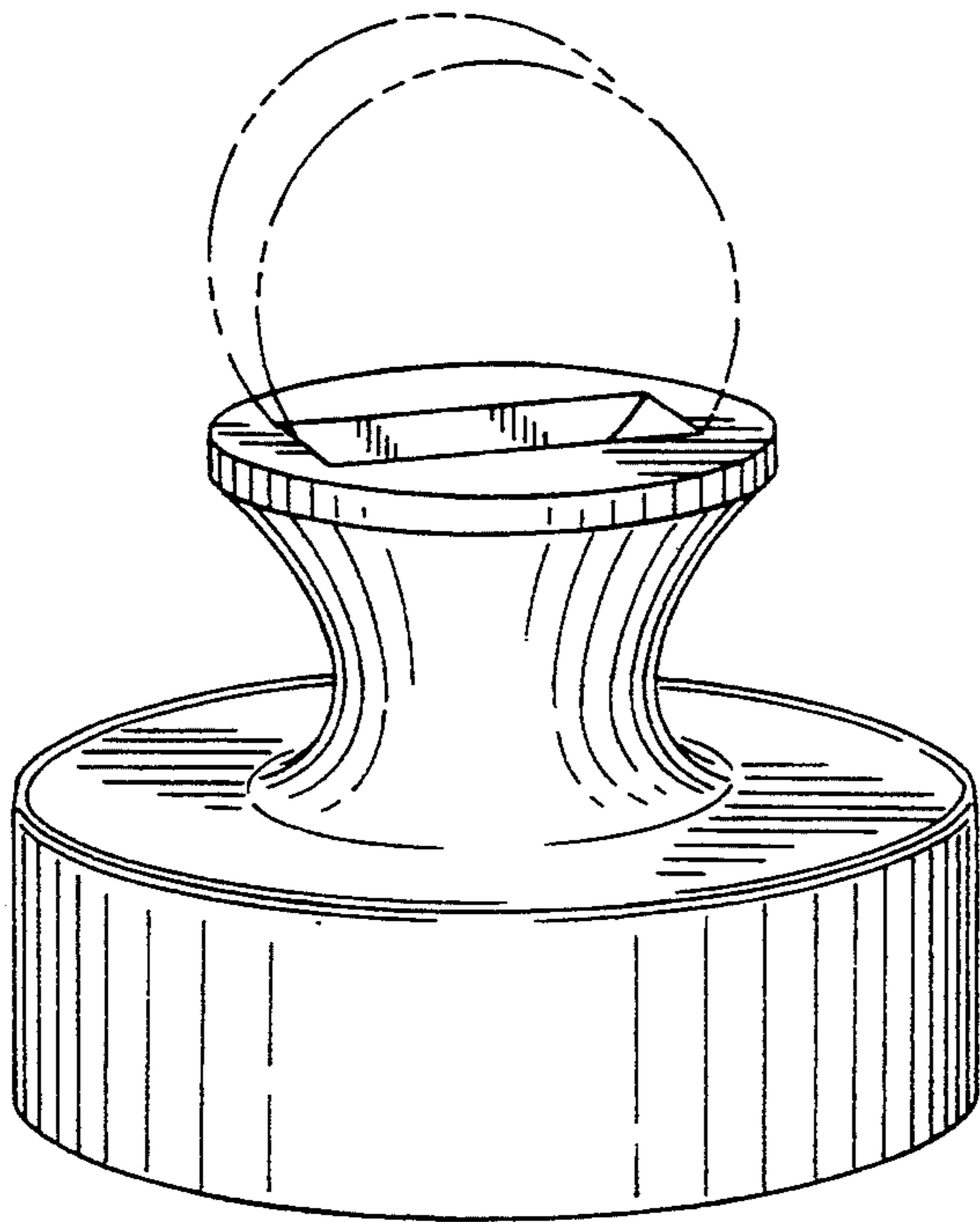


FIG. 10

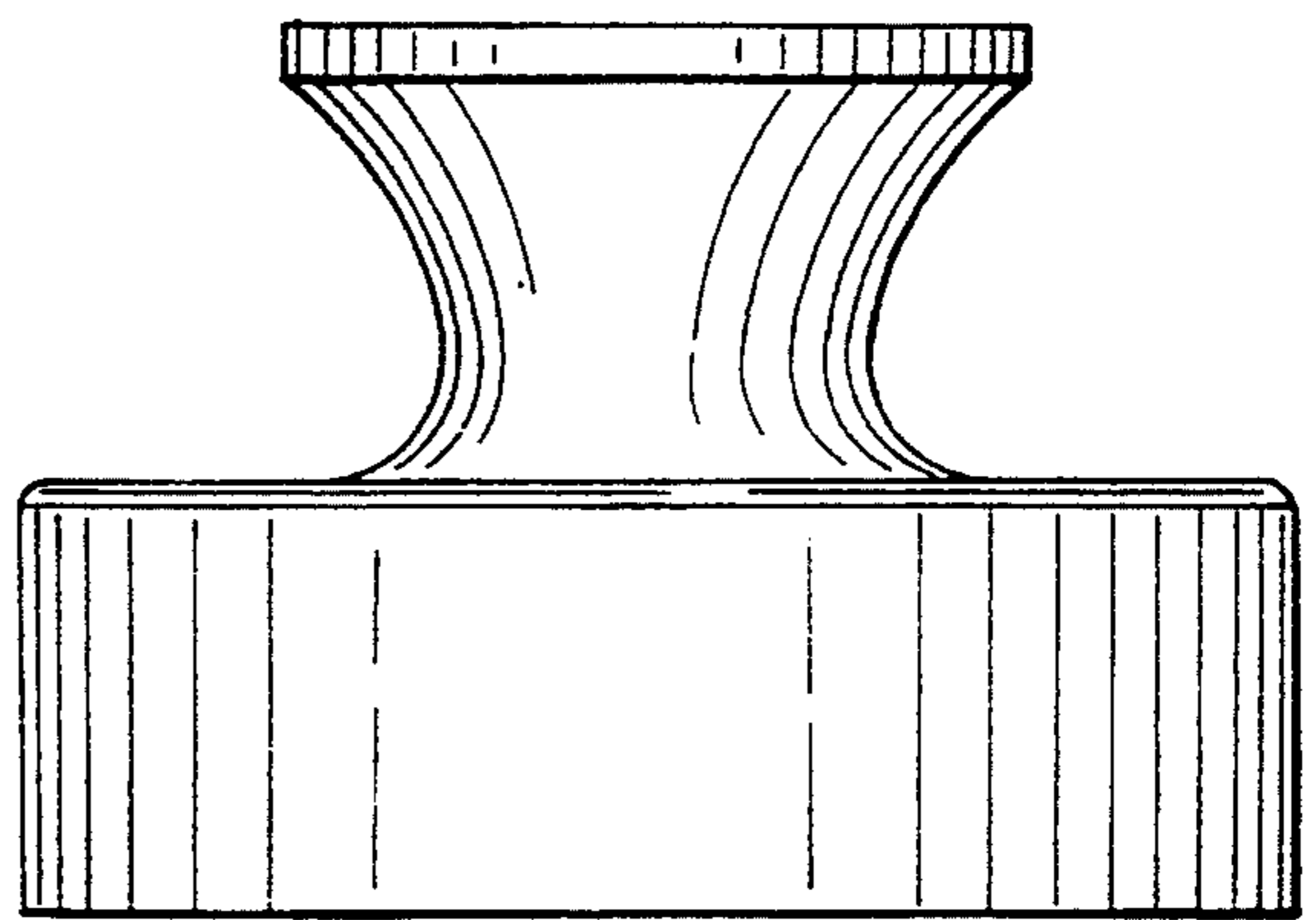


FIG. 11

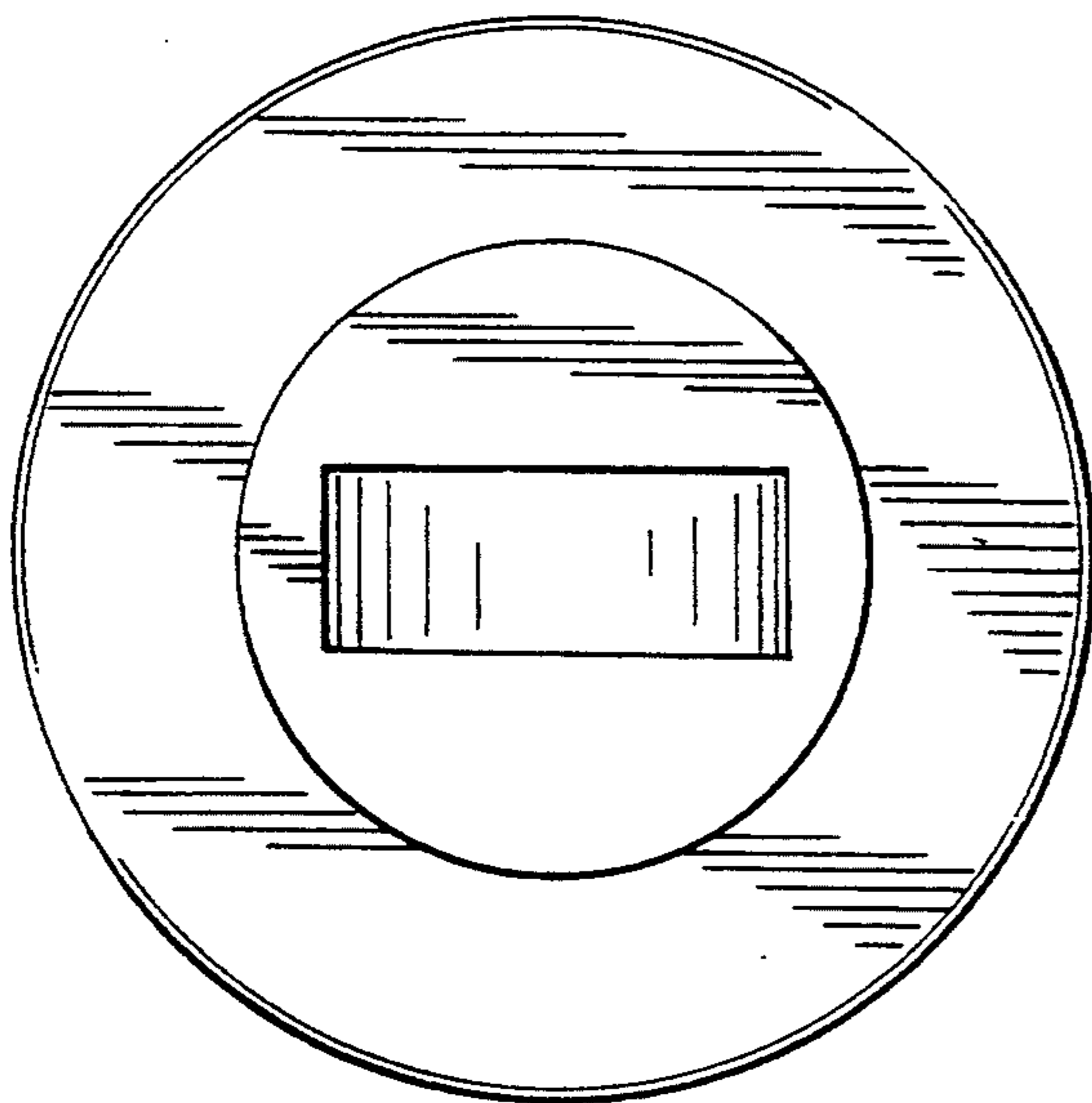
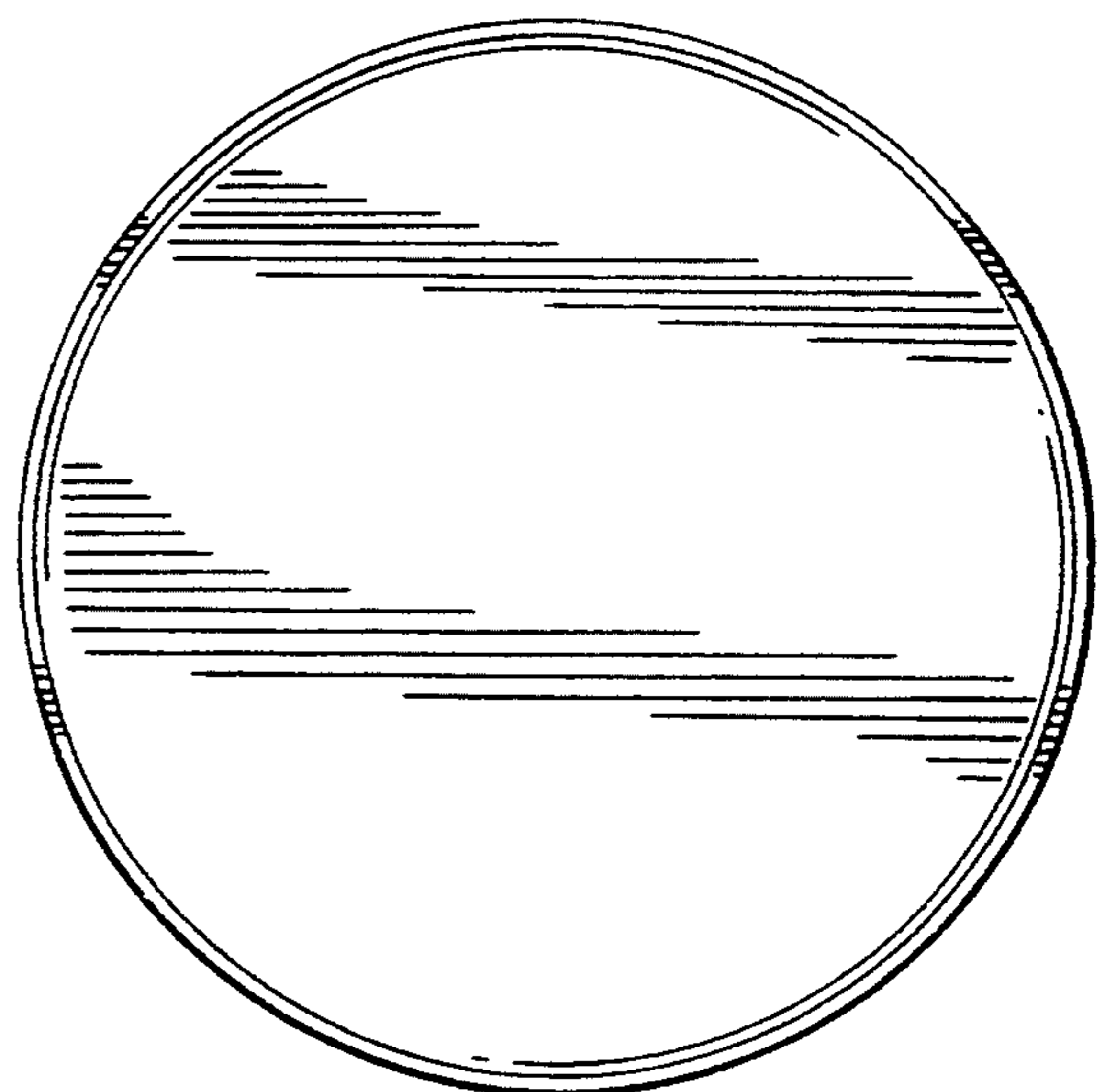


FIG. 12



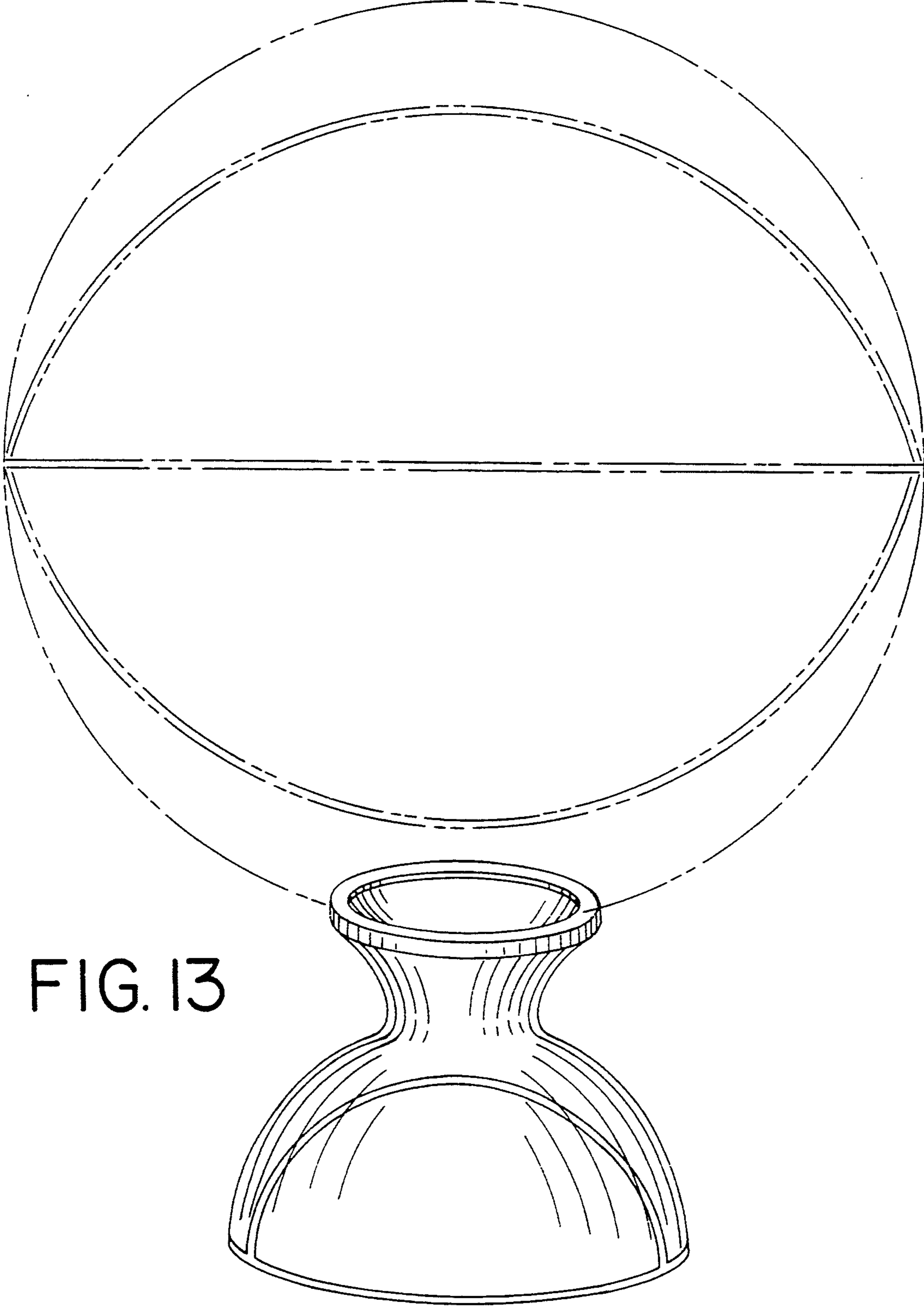


FIG. 13

FIG. 15

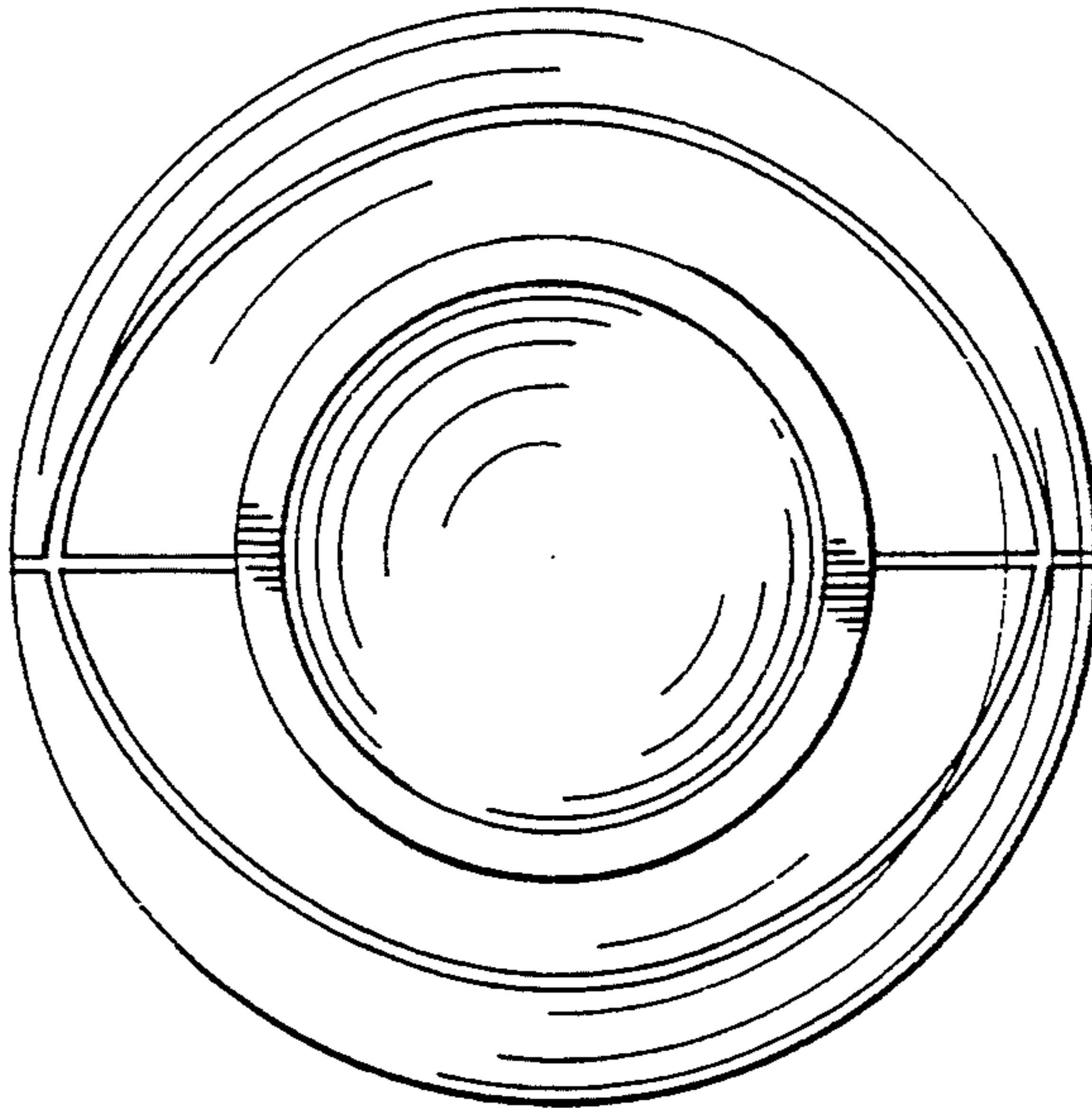


FIG. 14

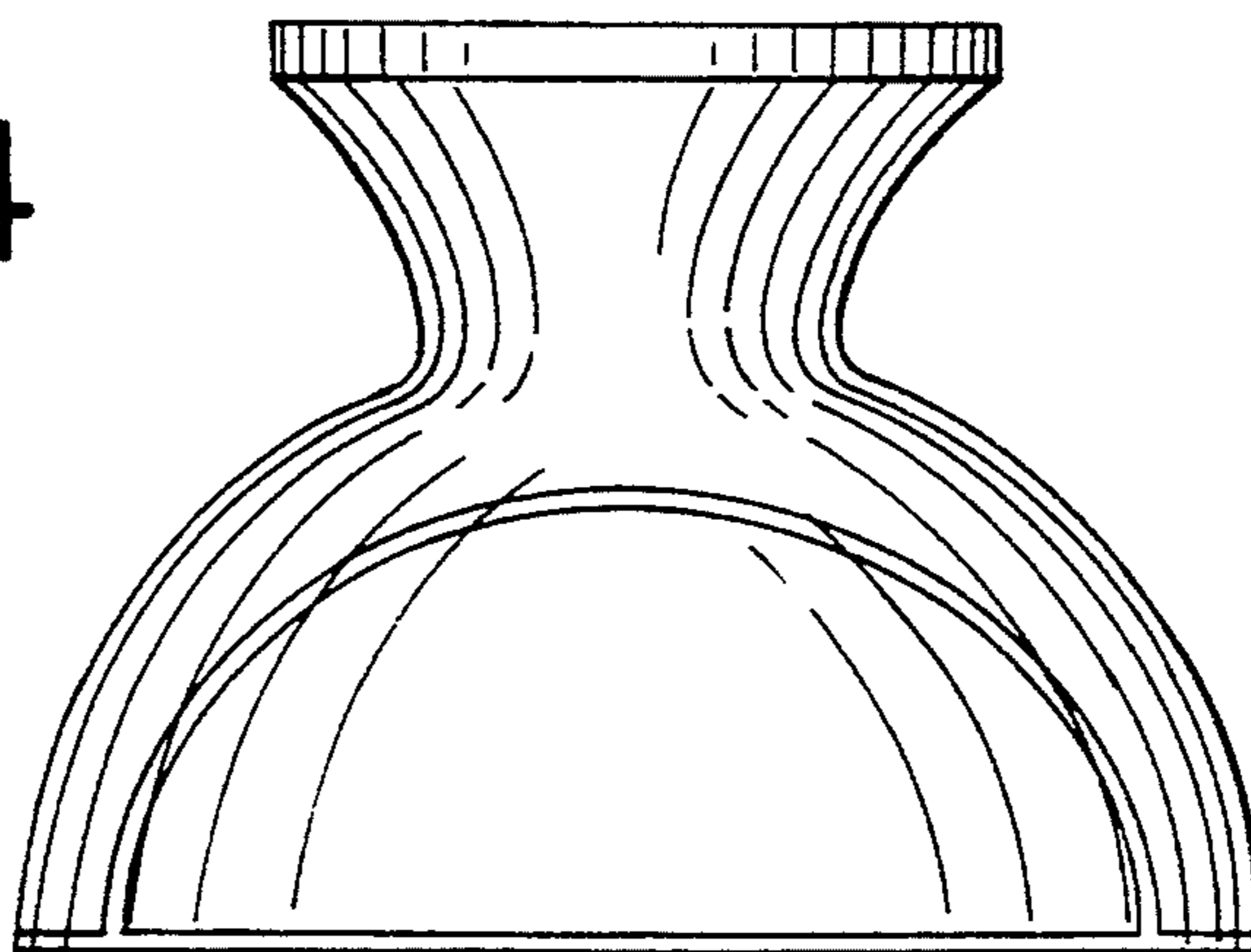
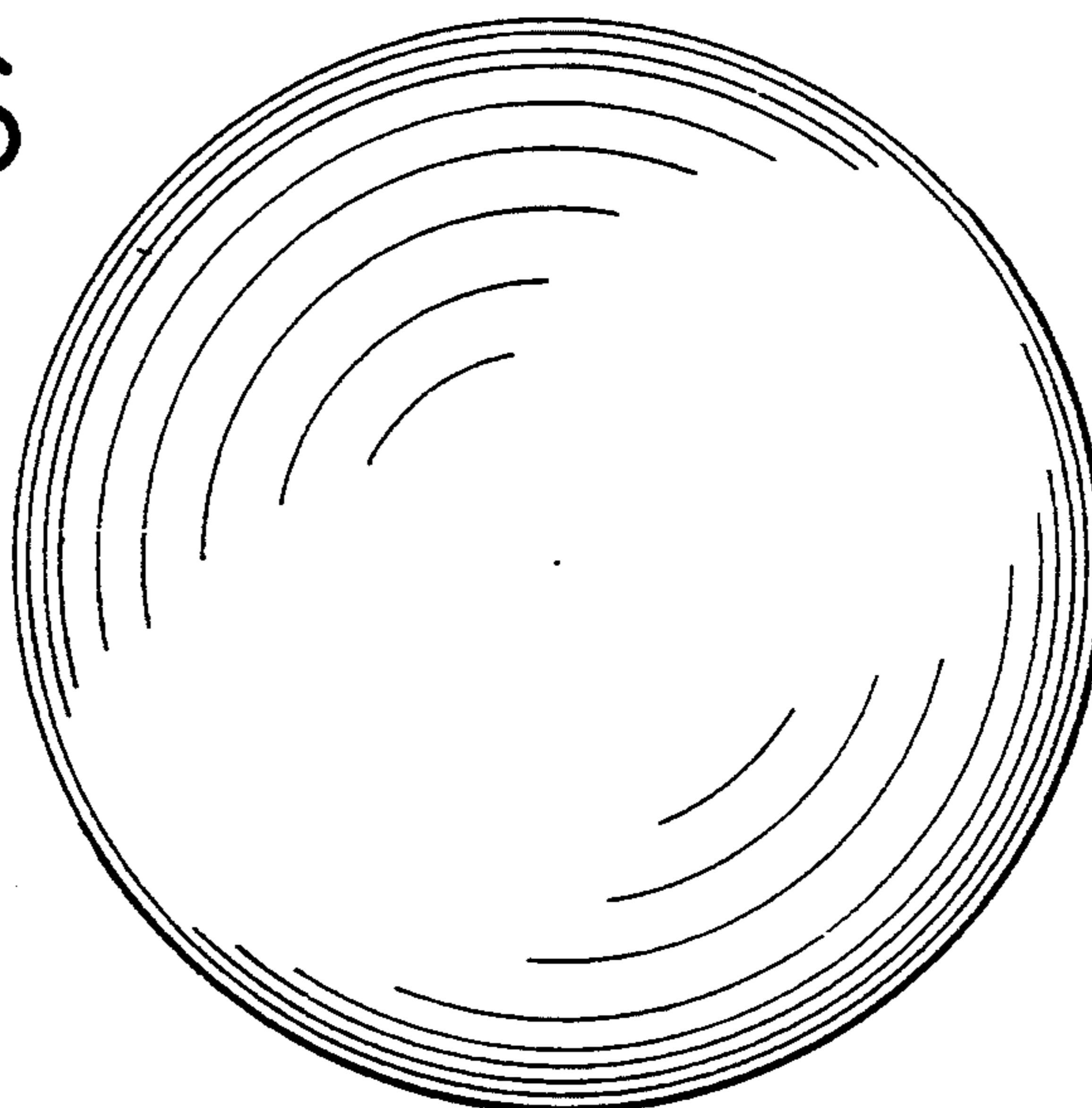


FIG. 16



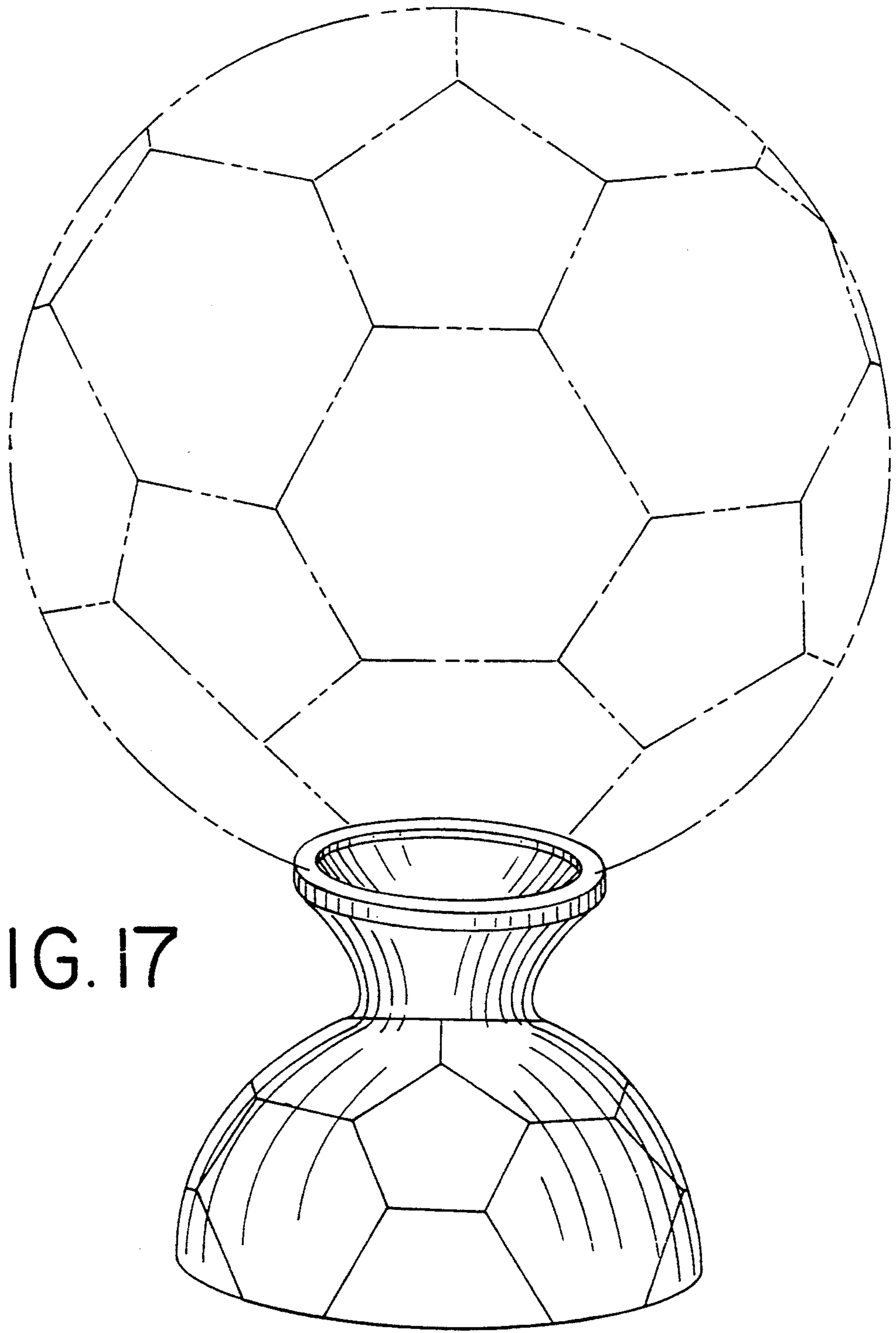


FIG. 17

FIG. 19

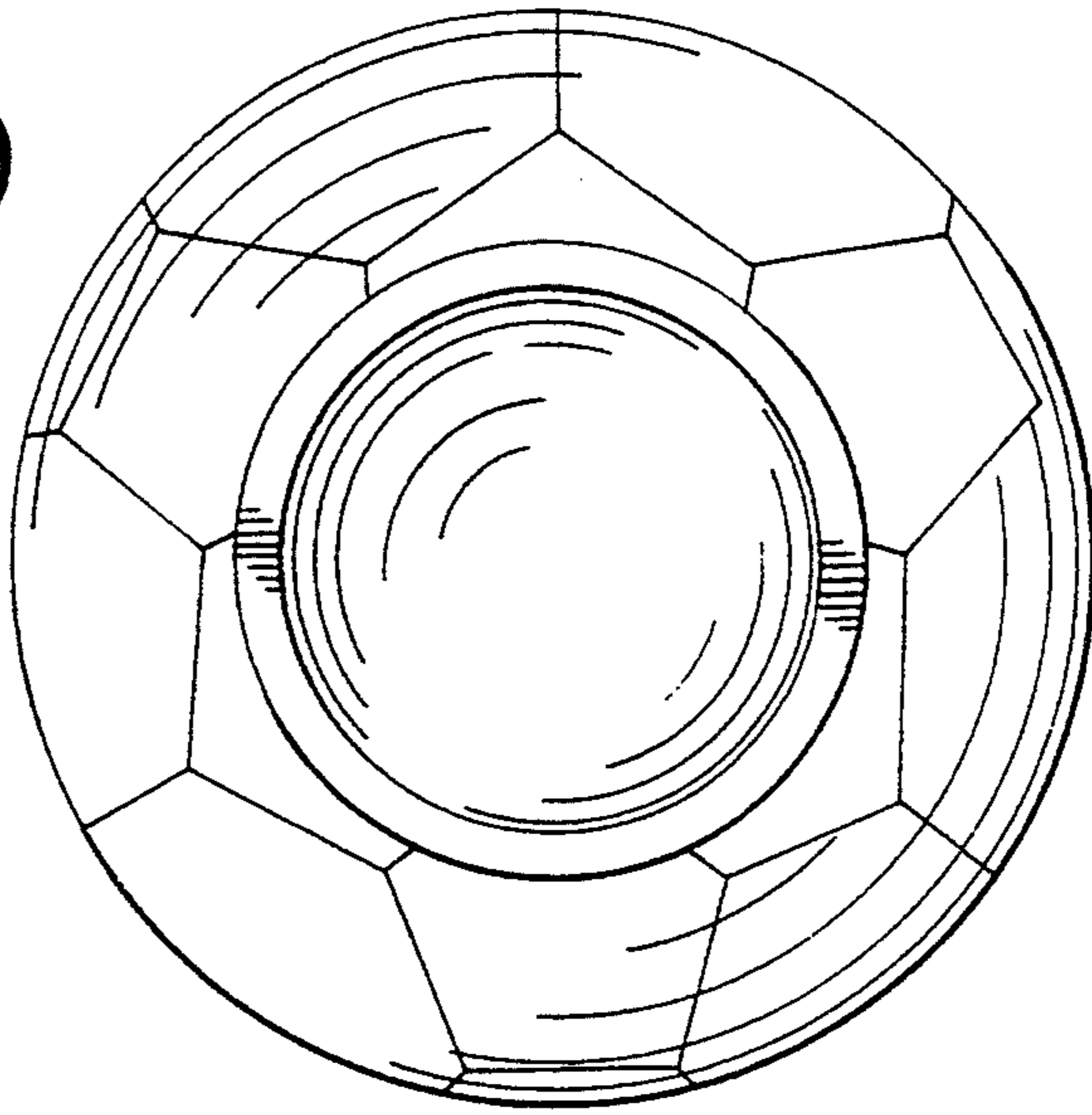


FIG. 18

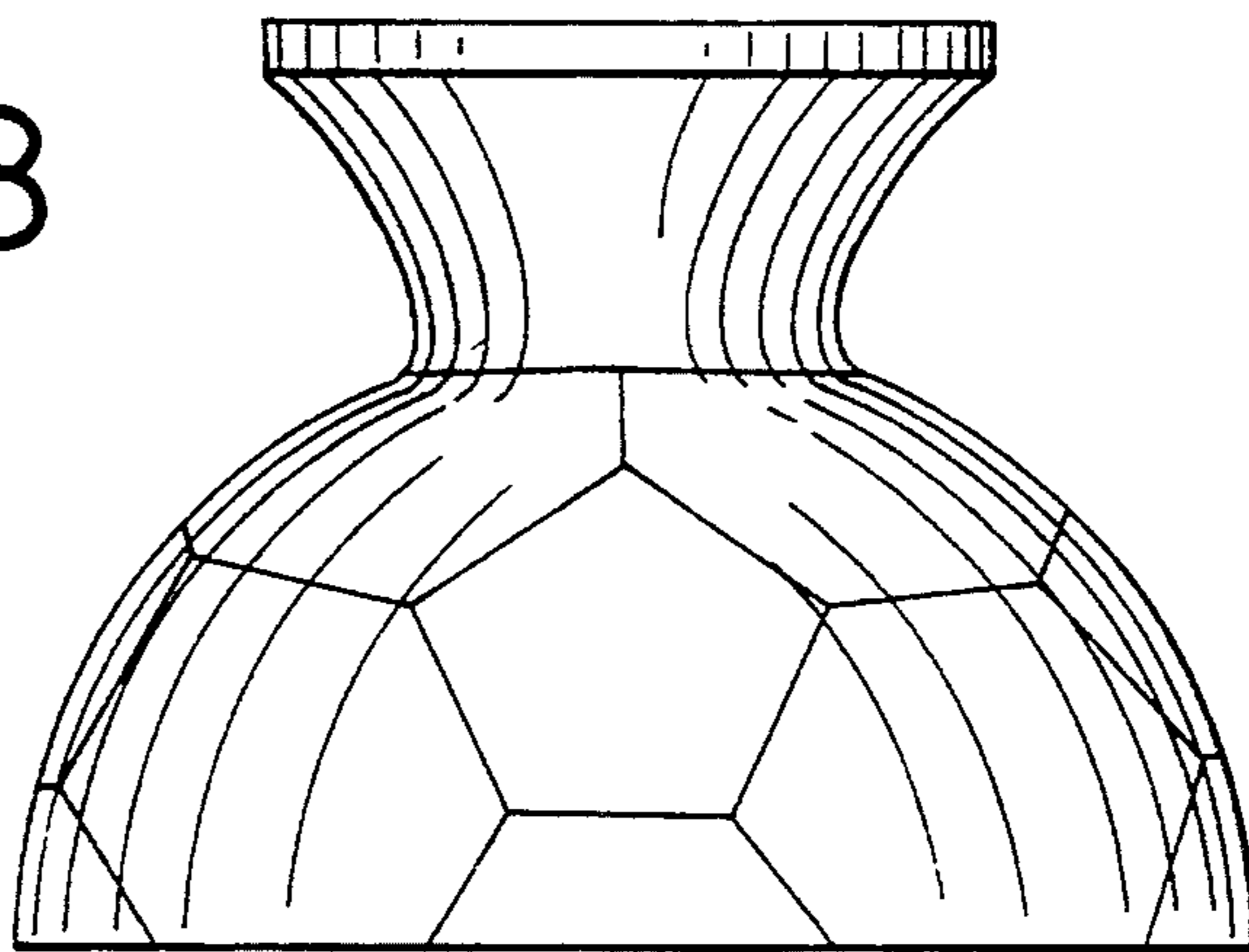
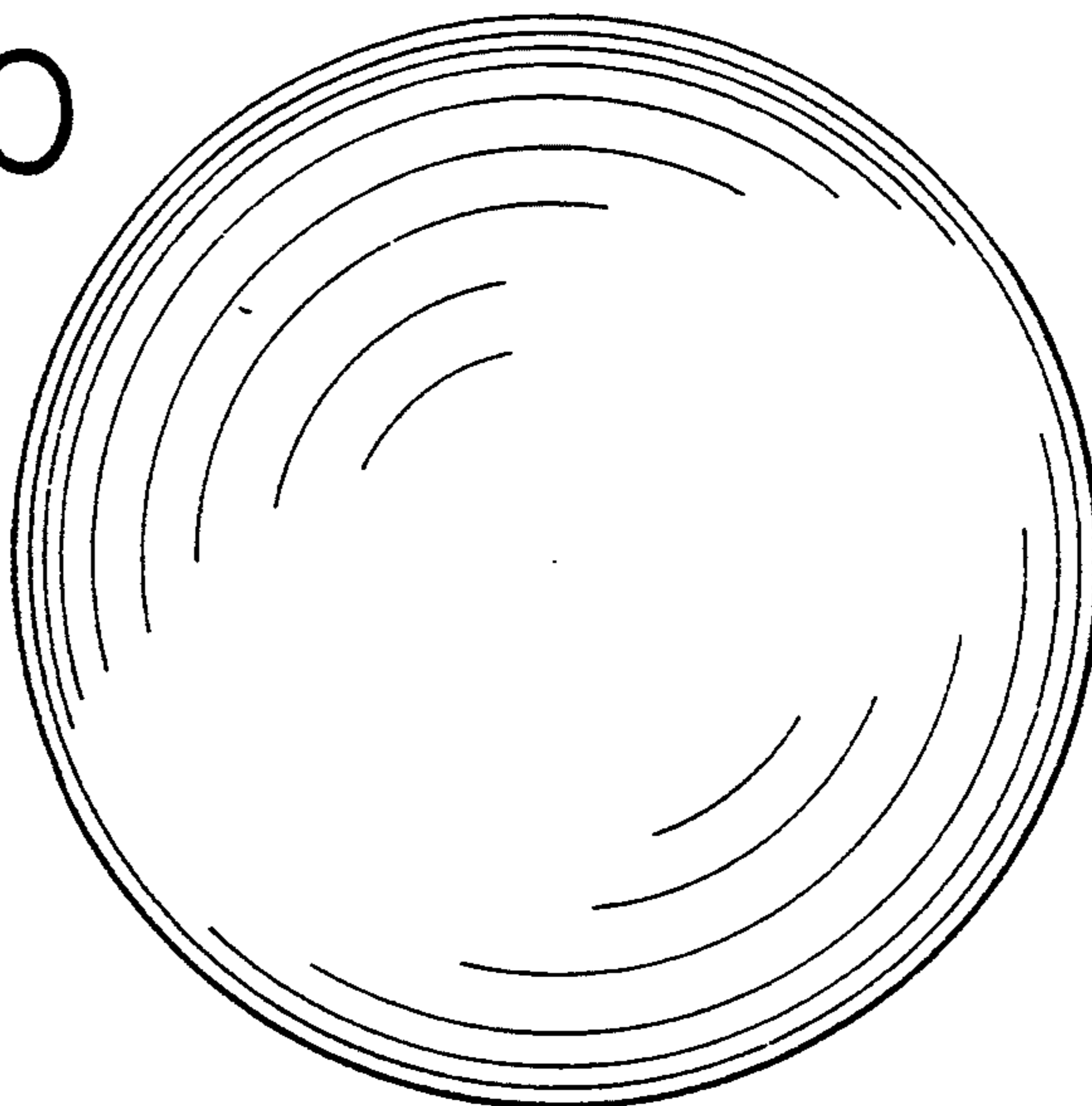


FIG. 20



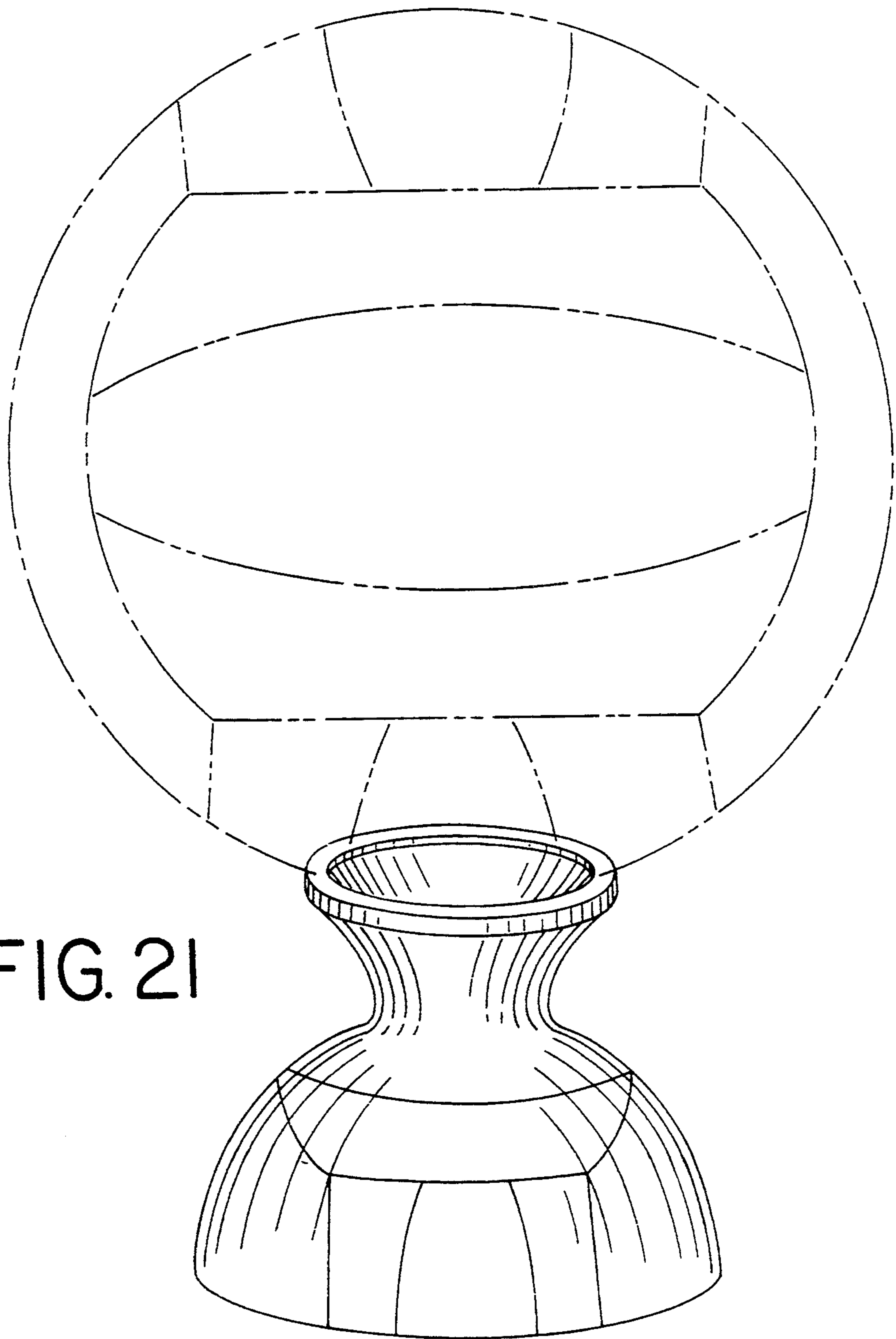


FIG. 21

FIG. 23

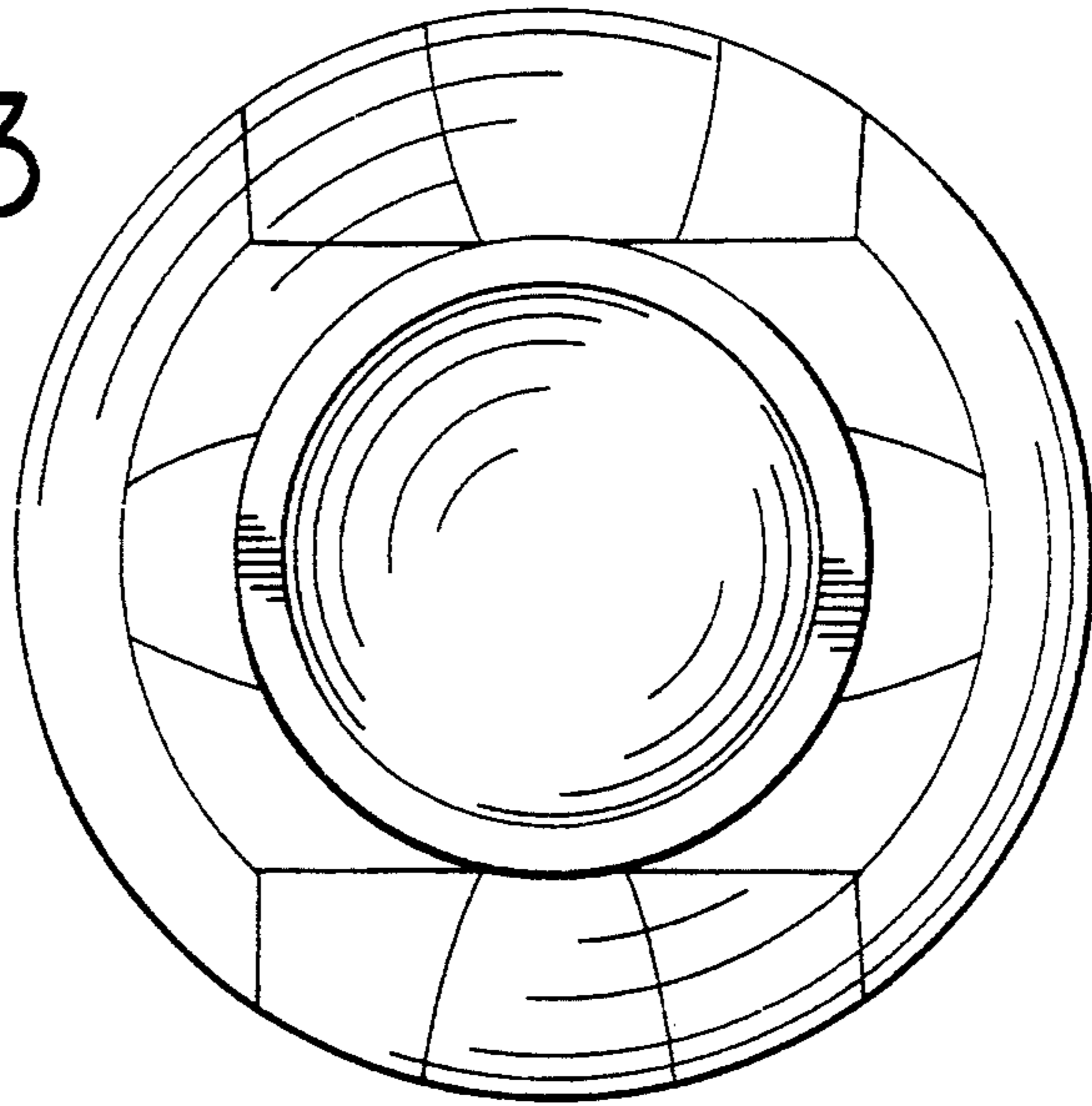


FIG. 22

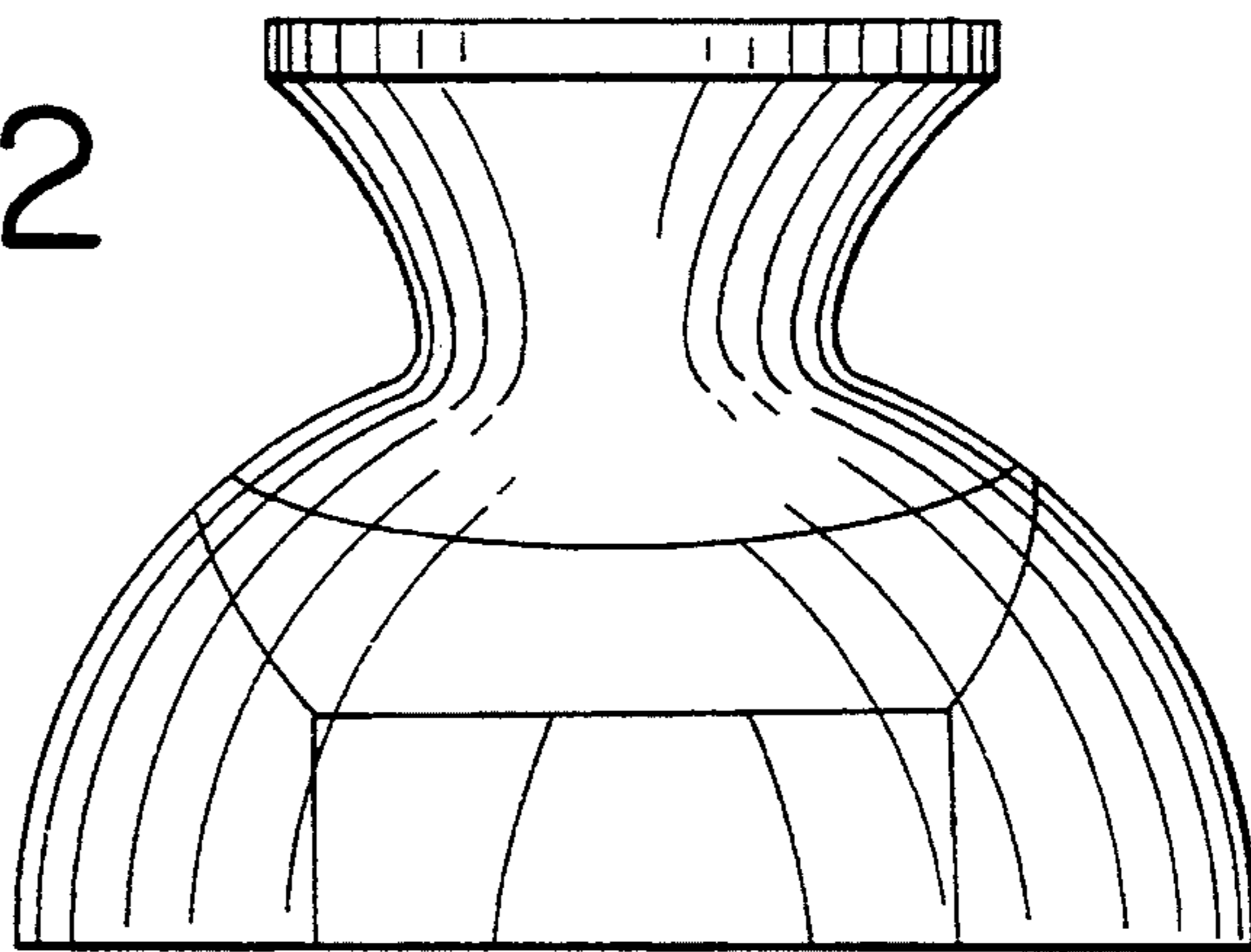


FIG. 24

