



US00D355790S

United States Patent [19]

[11] Patent Number: **Des. 355,790**

Dwyer

[45] Date of Patent: **** Feb. 28, 1995**

[54] **TV/VCR HOLDER**

[75] Inventor: **Dennis J. Dwyer**, Greenfield, Mass.

[73] Assignee: **J. H. Smith Co., Inc.**, Greenfield, Mass.

[**] Term: **14 Years**

[21] Appl. No.: **5,619**

[22] Filed: **Mar. 8, 1993**

[52] U.S. Cl. **D6/449**

[58] Field of Search **D6/449, 450, 451, 406; D25/65; 248/425**

OTHER PUBLICATIONS

Aloe Medical Catalog, p. 183, Grenadier foot stools.
G.E. Miller, Inc. Catalog, pp. 40 & 164, All purpose bath seat & Therapist Stool.
Ikea Catalog, p. 36, 1986, General/Kapp Coffee Tables.

Primary Examiner—Alan P. Douglas
Assistant Examiner—S. Snapp
Attorney, Agent, or Firm—Steven N. Fox

[57] **CLAIM**

The ornamental design of a TV/VCR holder, as shown and described.

[56] **References Cited**

U.S. PATENT DOCUMENTS

D. 287,677	1/1987	Pomeroy et al.	D6/449
D. 331,808	12/1992	Paul et al.	D25/65
D. 334,304	3/1993	Gilman	D6/449
D. 337,458	7/1993	Doria	D6/449
2,935,288	5/1960	Summerer	248/425
3,123,935	3/1964	Williams	D6/406
4,852,830	8/1989	Howard et al.	D6/449 X

DESCRIPTION

FIG. 1 is a perspective view of the present invention; FIG. 2 is a side view of the present invention; FIG. 3 is a top view of the present invention; FIG. 4 is a front view of the present invention; FIG. 5 is a bottom view of the present invention; and, FIG. 6 is a top plan view of the present invention with a portion of the TV/VCR holder rotated to a different position from that shown in FIG. 3

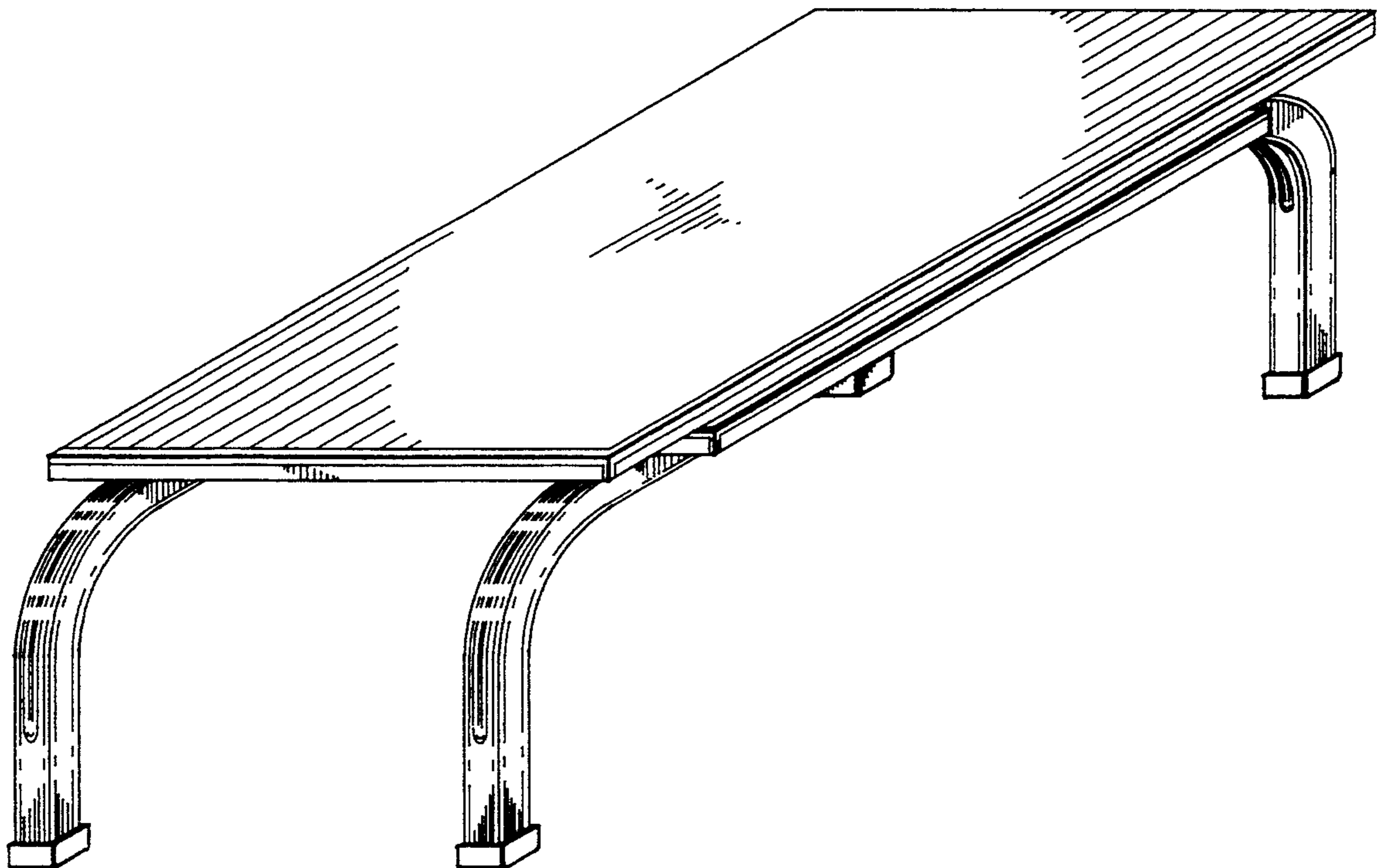


FIG. 1

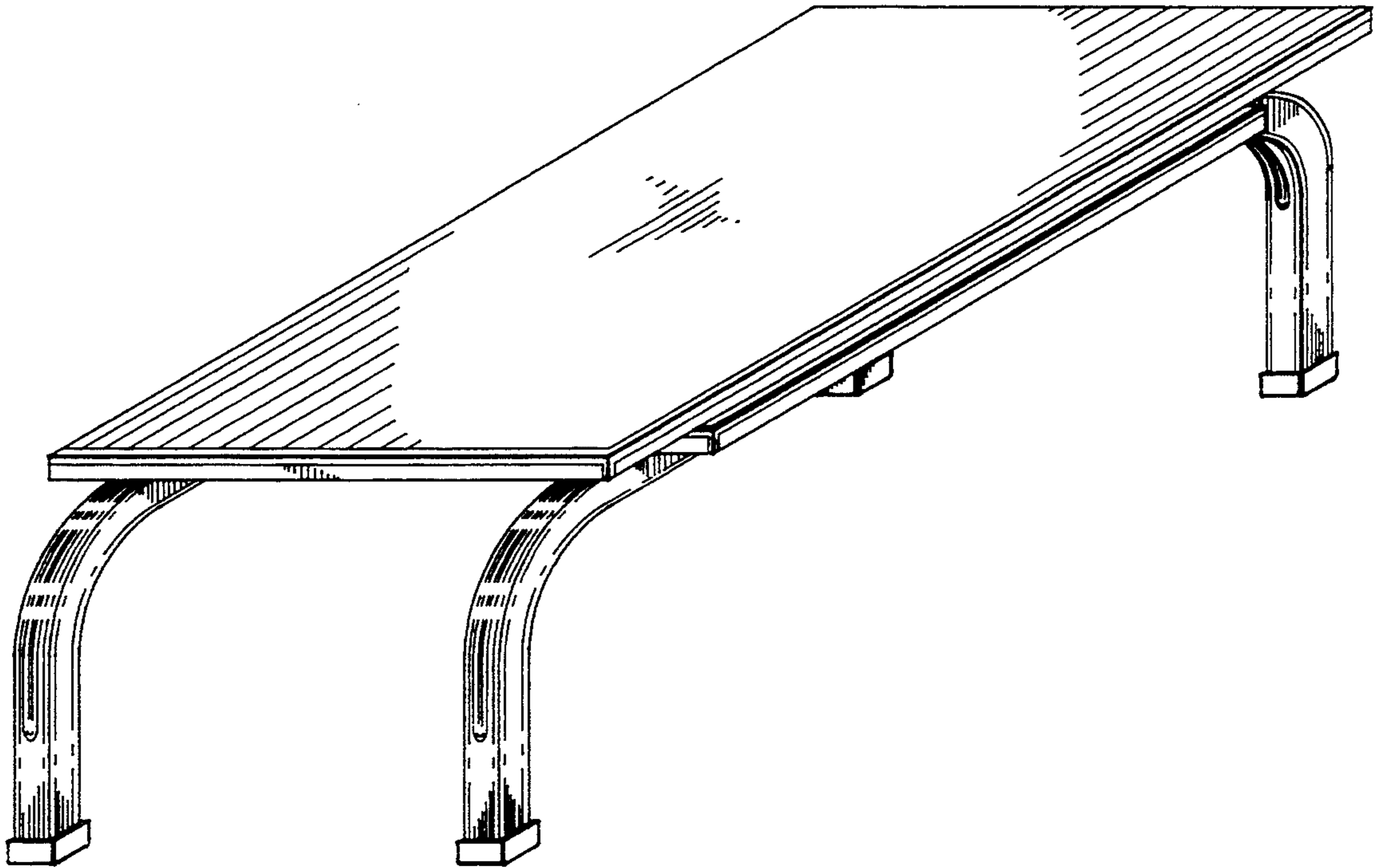


FIG. 2

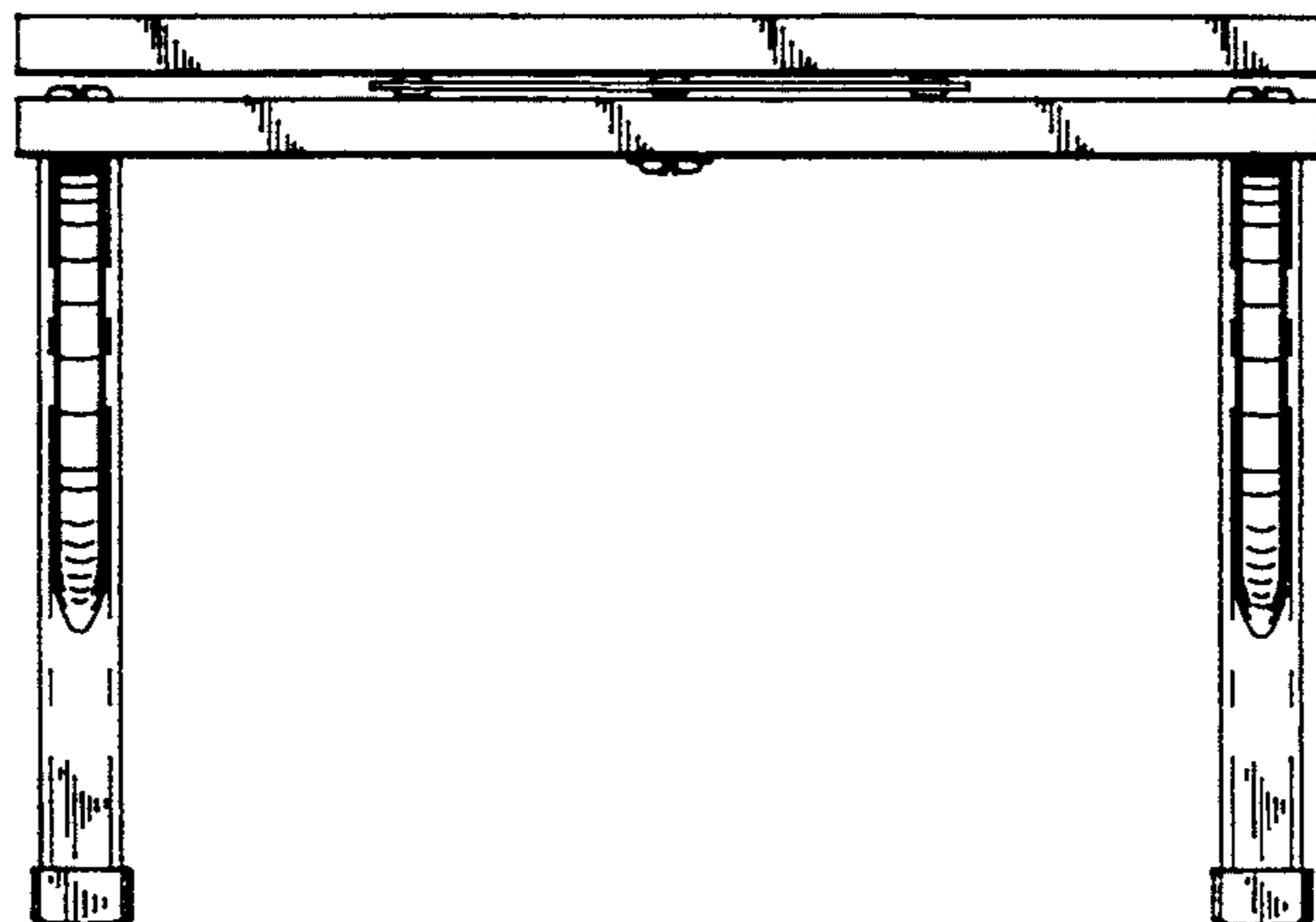


FIG. 3

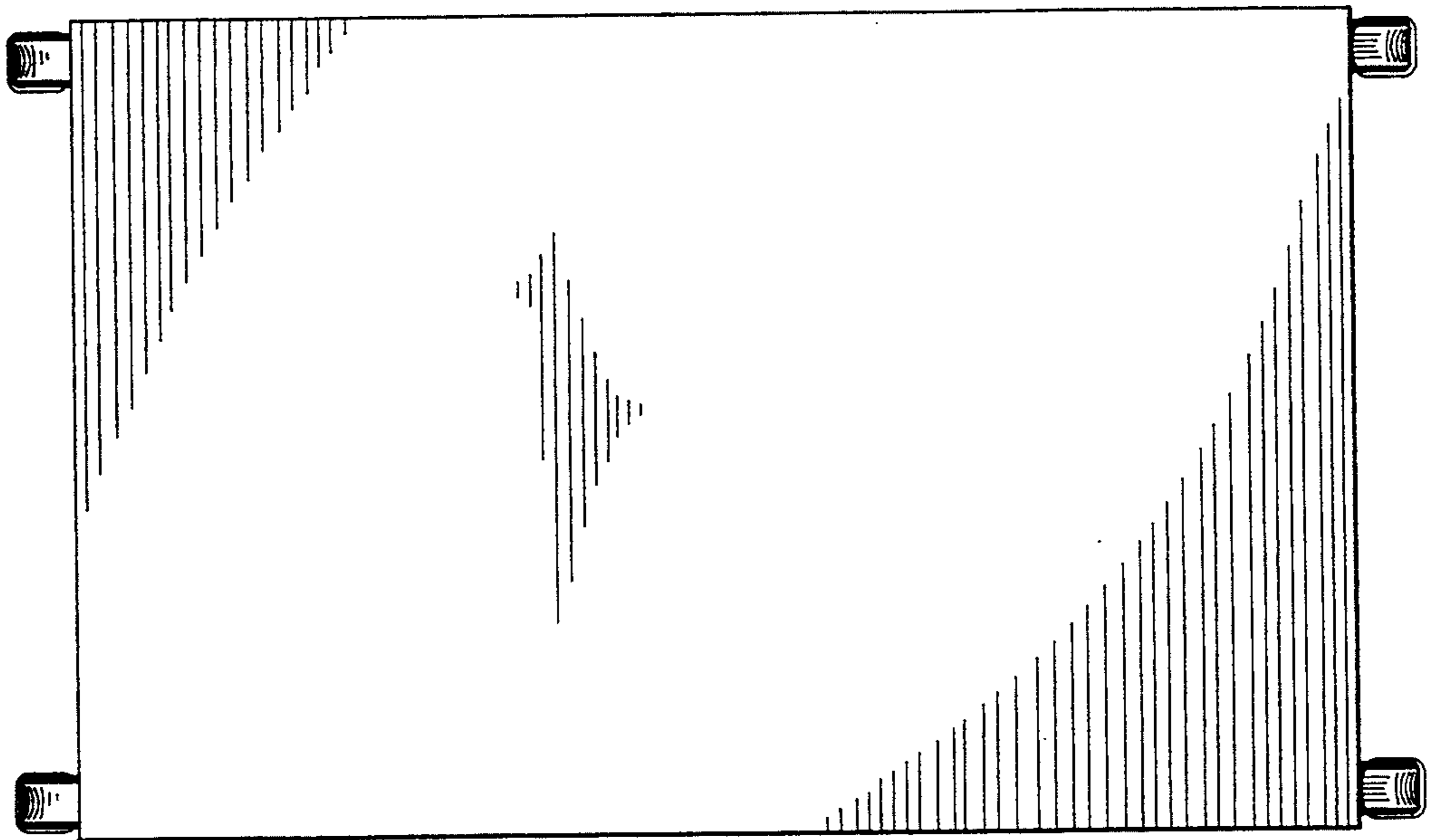


FIG. 4

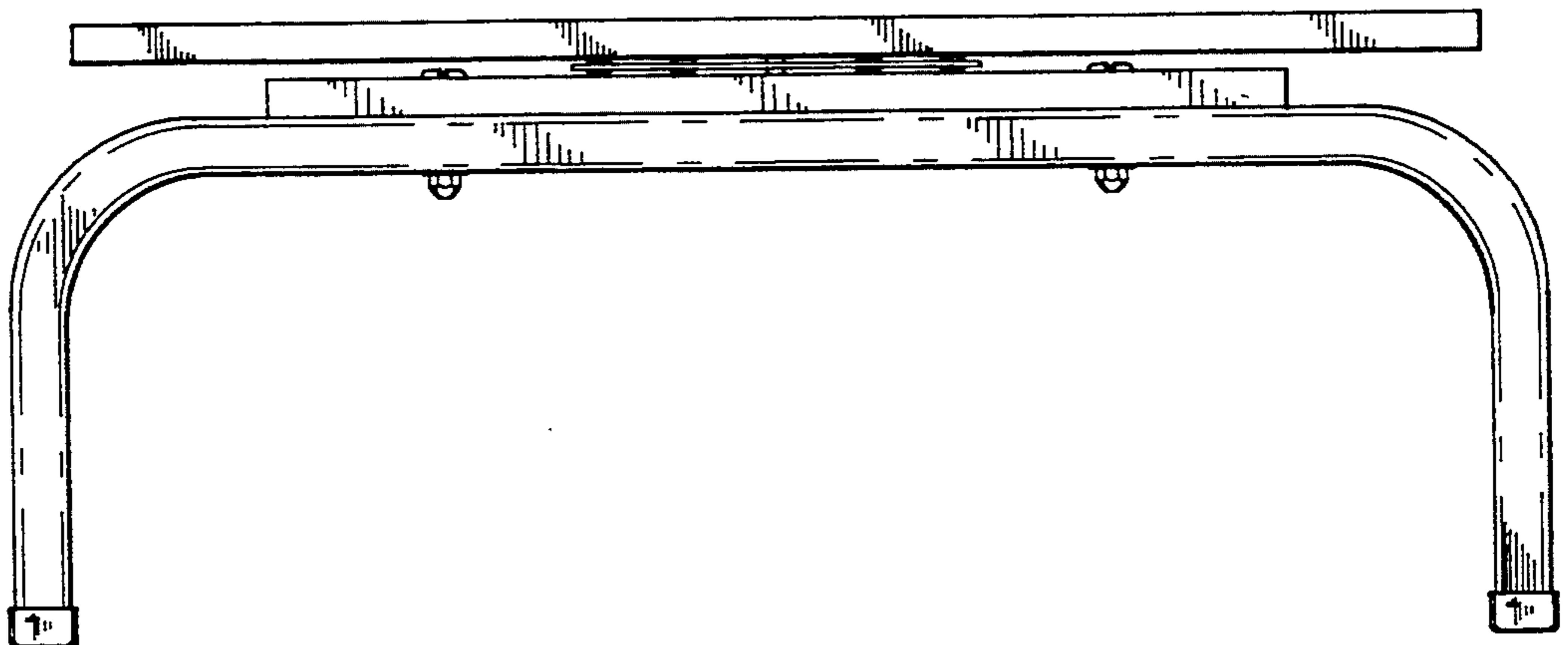


FIG. 5

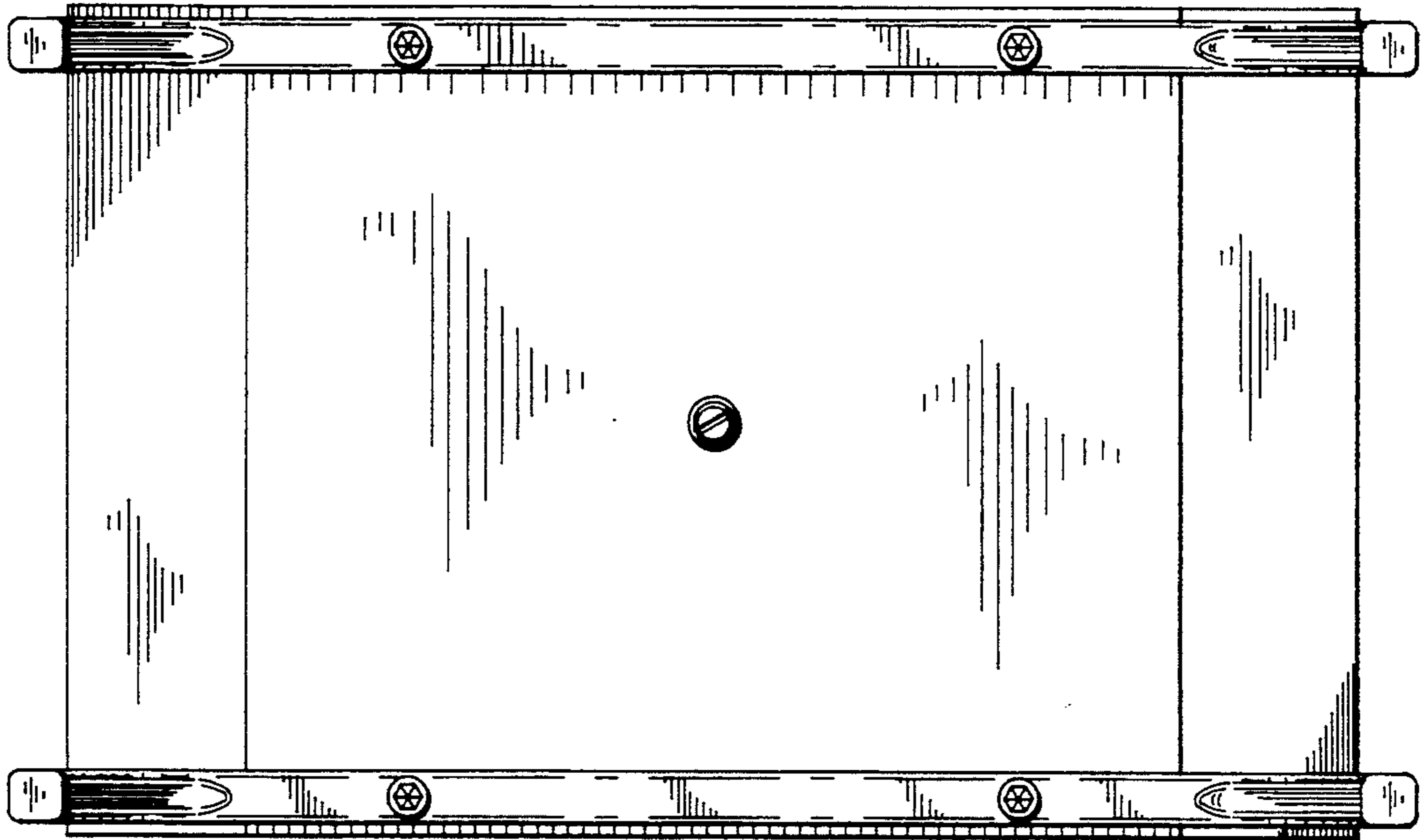


FIG. 6

