



US00D355789S

# United States Patent [19]

[11] Patent Number: **Des. 355,789**

Tarlow

[45] Date of Patent: **\*\* Feb. 28, 1995**

[54] **DESK**

[76] Inventor: **Rose Tarlow**, 8454 Melrose Pl., Los Angeles, Calif. 90069

[\*\*] Term: **14 Years**

[21] Appl. No.: **11,977**

[22] Filed: **Aug. 19, 1993**

[52] U.S. Cl. .... **D6/428; D6/482**

[58] Field of Search ..... **D6/480-489, D6/495-499, 429-431, 450, 451, 428; 108/153-155, 161**

[56] **References Cited**

**U.S. PATENT DOCUMENTS**

D. 141,359	5/1945	Carlson et al. ....	D6/428
D. 149,198	4/1948	Lux .....	D6/428 X
D. 149,416	4/1948	Jenes .....	D6/428
D. 270,411	9/1983	De Gregori .....	D6/480
D. 328,206	7/1992	Lewis .....	D6/482 X

**OTHER PUBLICATIONS**

Intrex Omaha Series p. 16, #25082 Console 2nd f/top. Centemum by Hardwood House, ©1988, top left credenza.

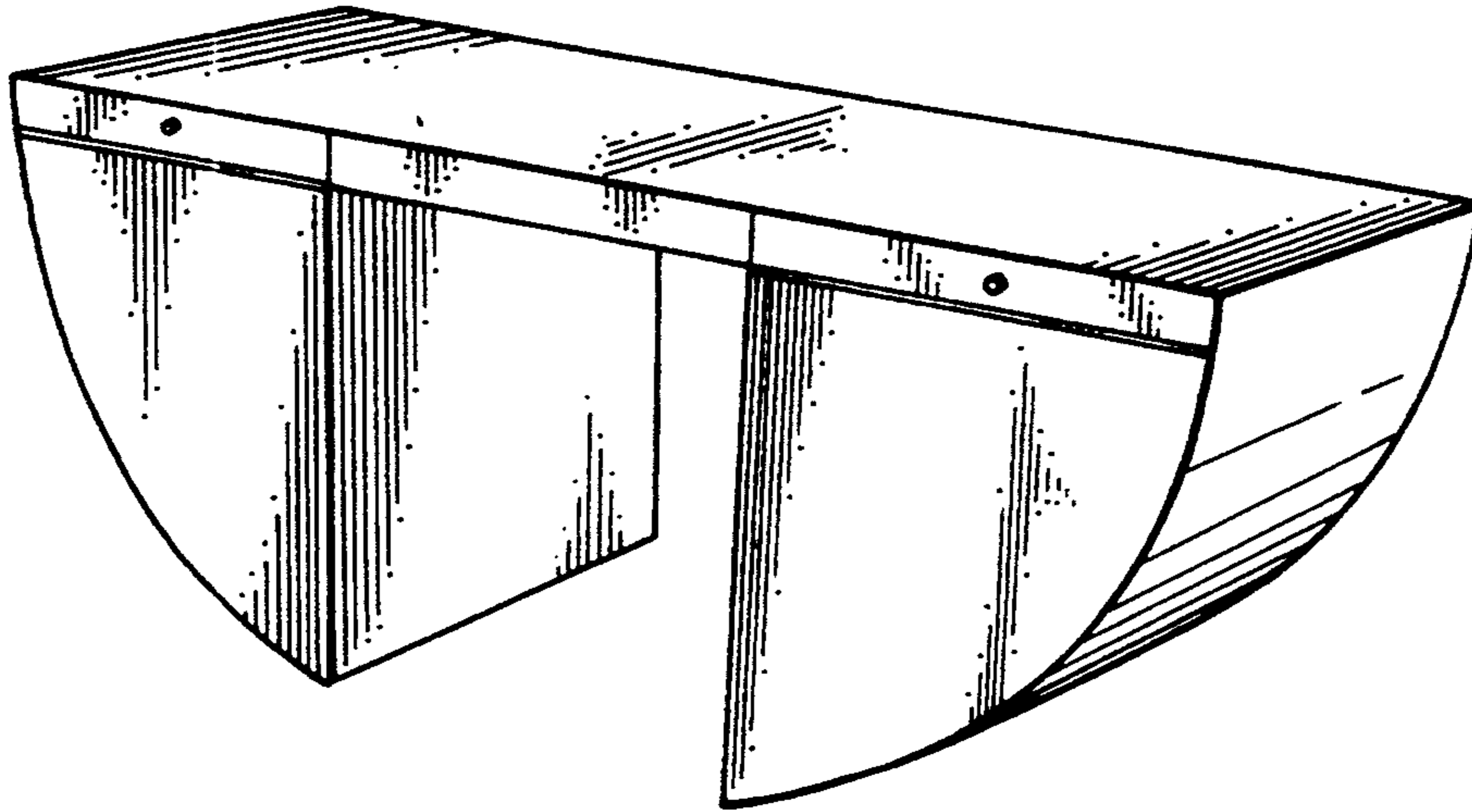
*Primary Examiner*—Janice E. Seeger  
*Attorney, Agent, or Firm*—Charles H. Schwartz;  
Ellsworth R. Roston

[57] **CLAIM**

The ornamental design for a desk, as shown and described.

**DESCRIPTION**

FIG. 1 is a front perspective view of a desk showing my new design;  
FIG. 2 is a front elevational view thereof;  
FIG. 3 is a back elevational view thereof;  
FIG. 4 is a top plan view thereof;  
FIG. 5 is a bottom plan view thereof; and,  
FIG. 6 is a side elevational view thereof, the opposite side being a mirror image.



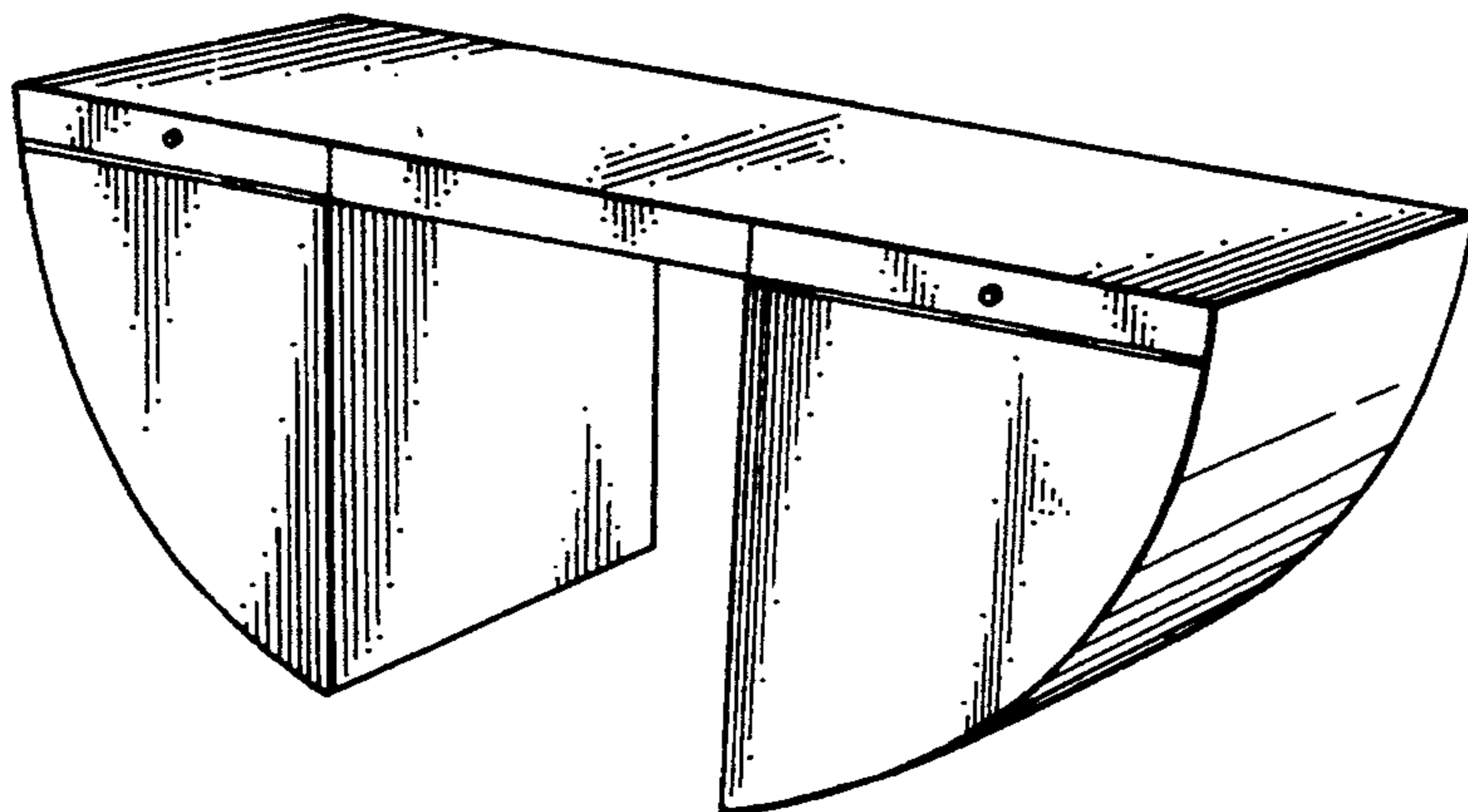


FIG. 1

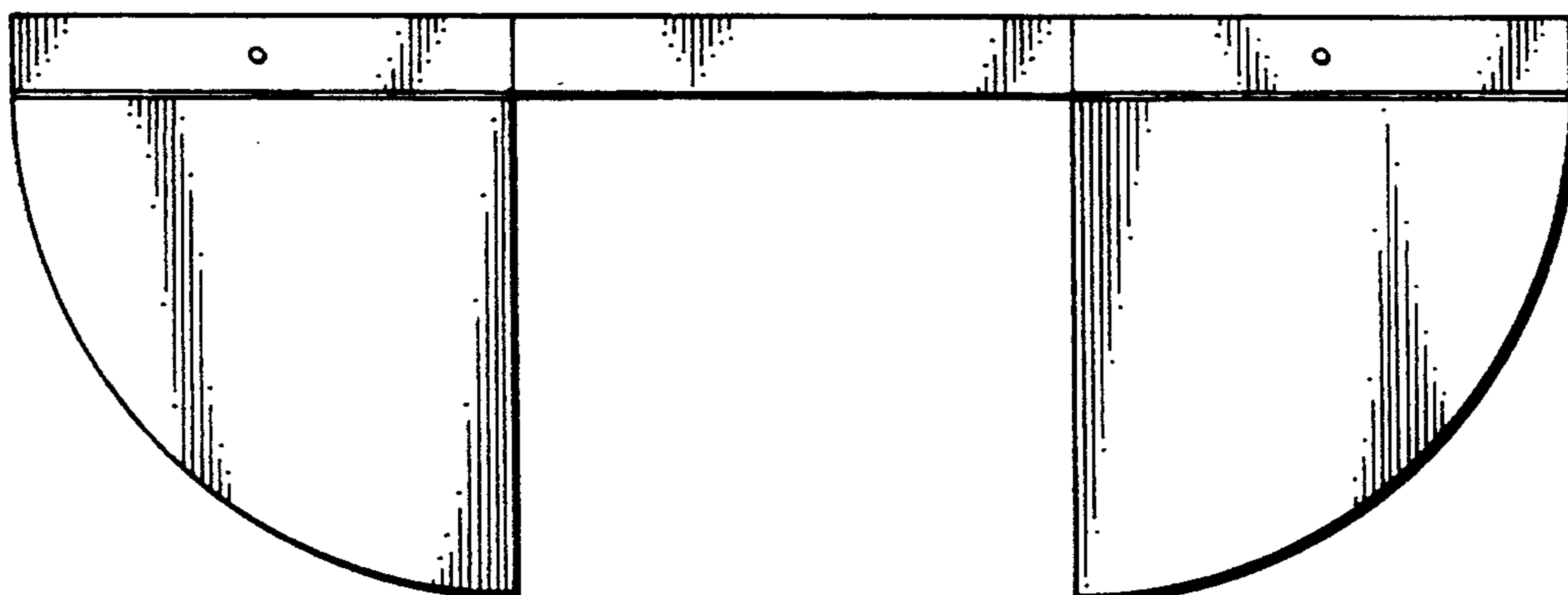


FIG. 2

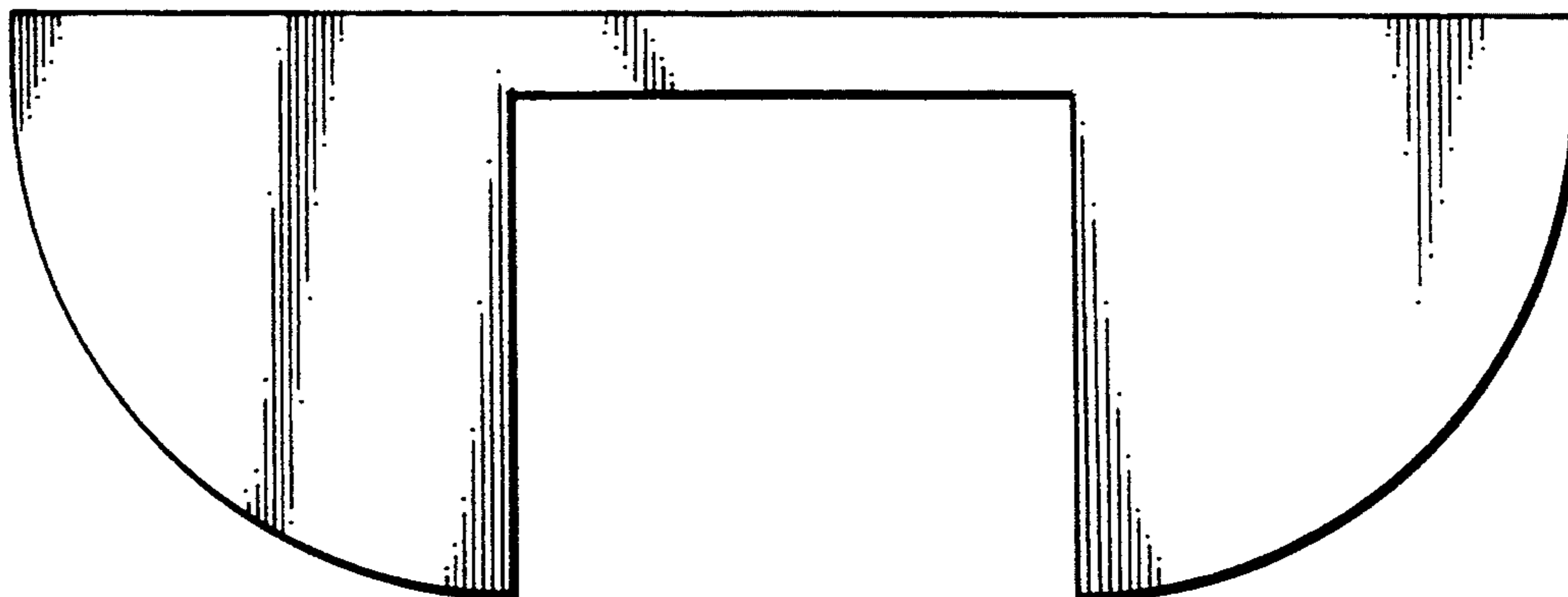


FIG. 3

FIG. 4

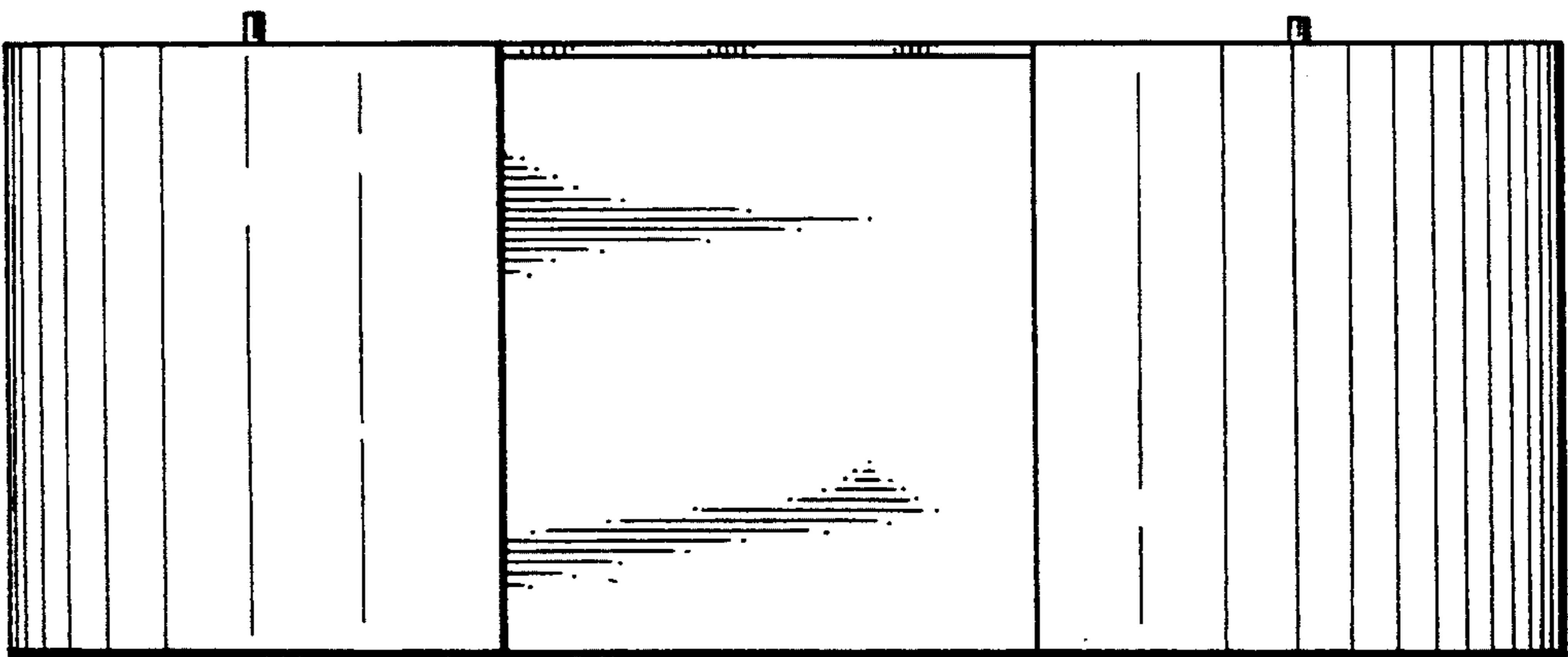
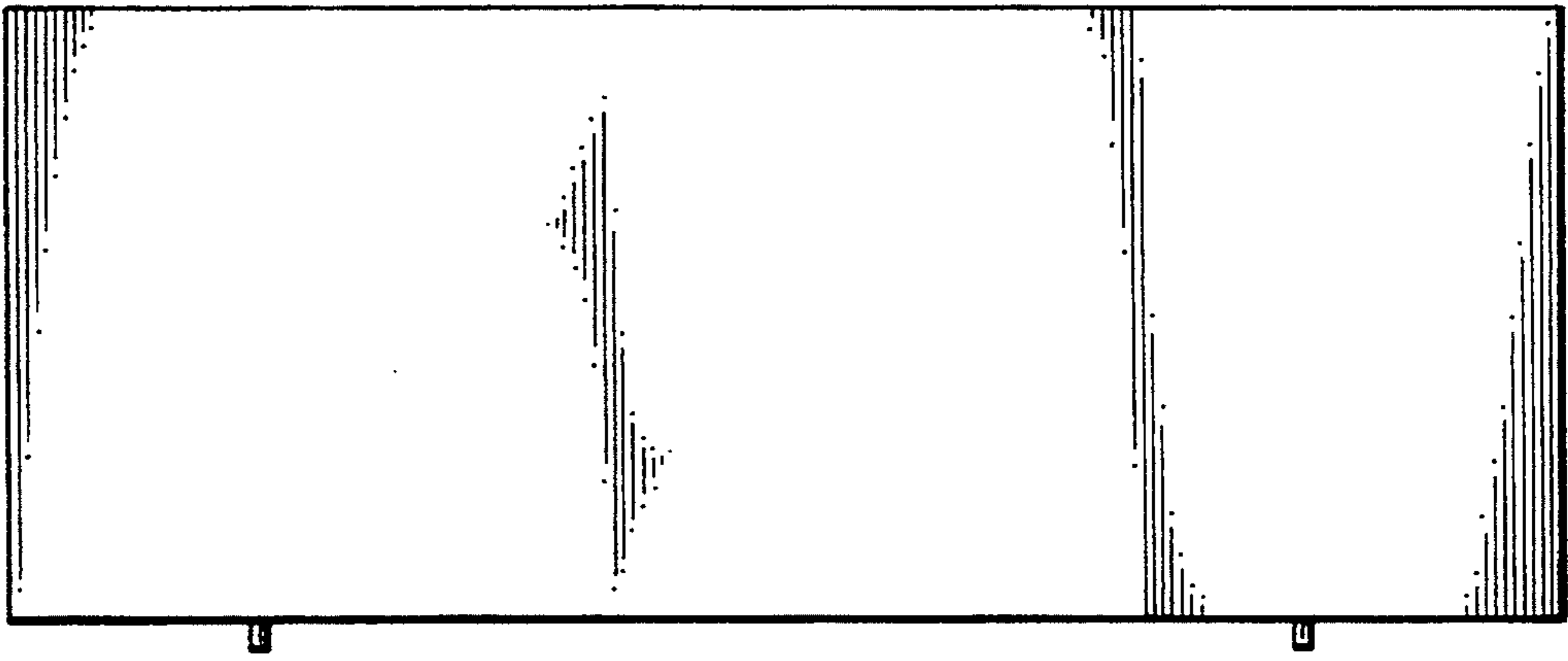


FIG. 5

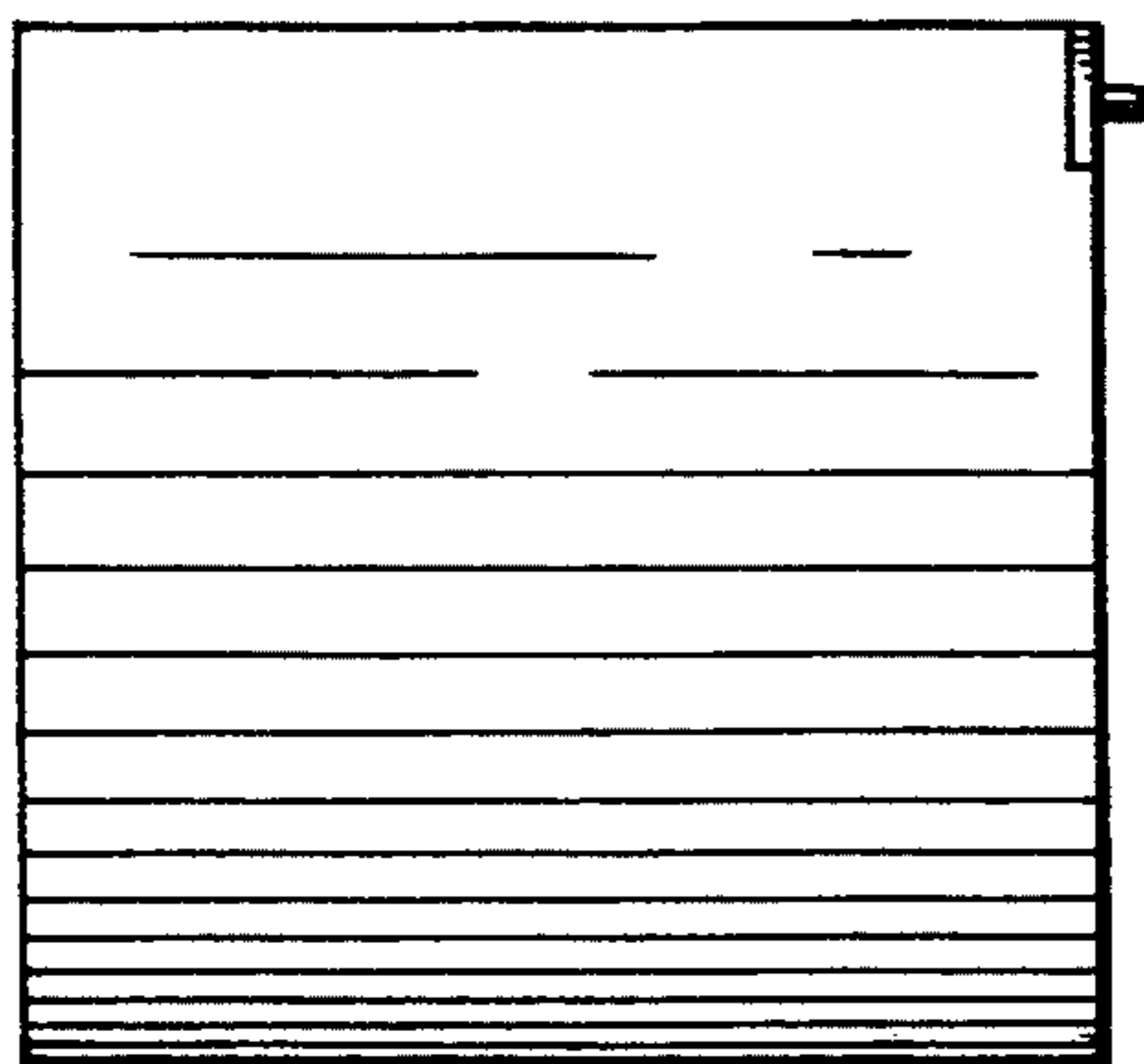


FIG. 6