



US00D355787S

# United States Patent [19]

Rae

[11] Patent Number: **Des. 355,787**

[45] Date of Patent: **\*\* Feb. 28, 1995**

[54] **PORTABLE TABLE**

[76] Inventor: **Steven P. Rae**, 4359 Highway 138, Oregon, Wis. 53575

[\*\*] Term: **14 Years**

[21] Appl. No.: **20,235**

[22] Filed: **Mar. 21, 1994**

[52] U.S. Cl. .... **D6/406**

[58] Field of Search ..... **D6/406, 419, 482, 511; D12/415-425; D19/52, 90, 35; 108/43, 44, 47, 97, 99, 115; 211/88; D7/550, 553, 554, 698**

3,709,159	1/1973	Oglesby, Jr. .	
4,089,554	5/1978	Myers .	
4,455,948	6/1984	Torres .	
4,830,242	5/1989	Painter .	
4,887,526	12/1989	Blatt .	
4,969,678	11/1990	Loisel .	
4,969,698	11/1990	Maynard, Jr. ....	D6/406 X
5,005,702	4/1991	Davis et al. ....	D6/406 X
5,090,335	2/1992	Russell .	
5,092,507	3/1992	Szablak et al. .	
5,215,346	6/1993	Reitzloff et al. .	

*Primary Examiner*—Alan P. Douglas  
*Assistant Examiner*—S. Snapp  
*Attorney, Agent, or Firm*—DeWitt Ross & Stevens

[56] **References Cited**

**U.S. PATENT DOCUMENTS**

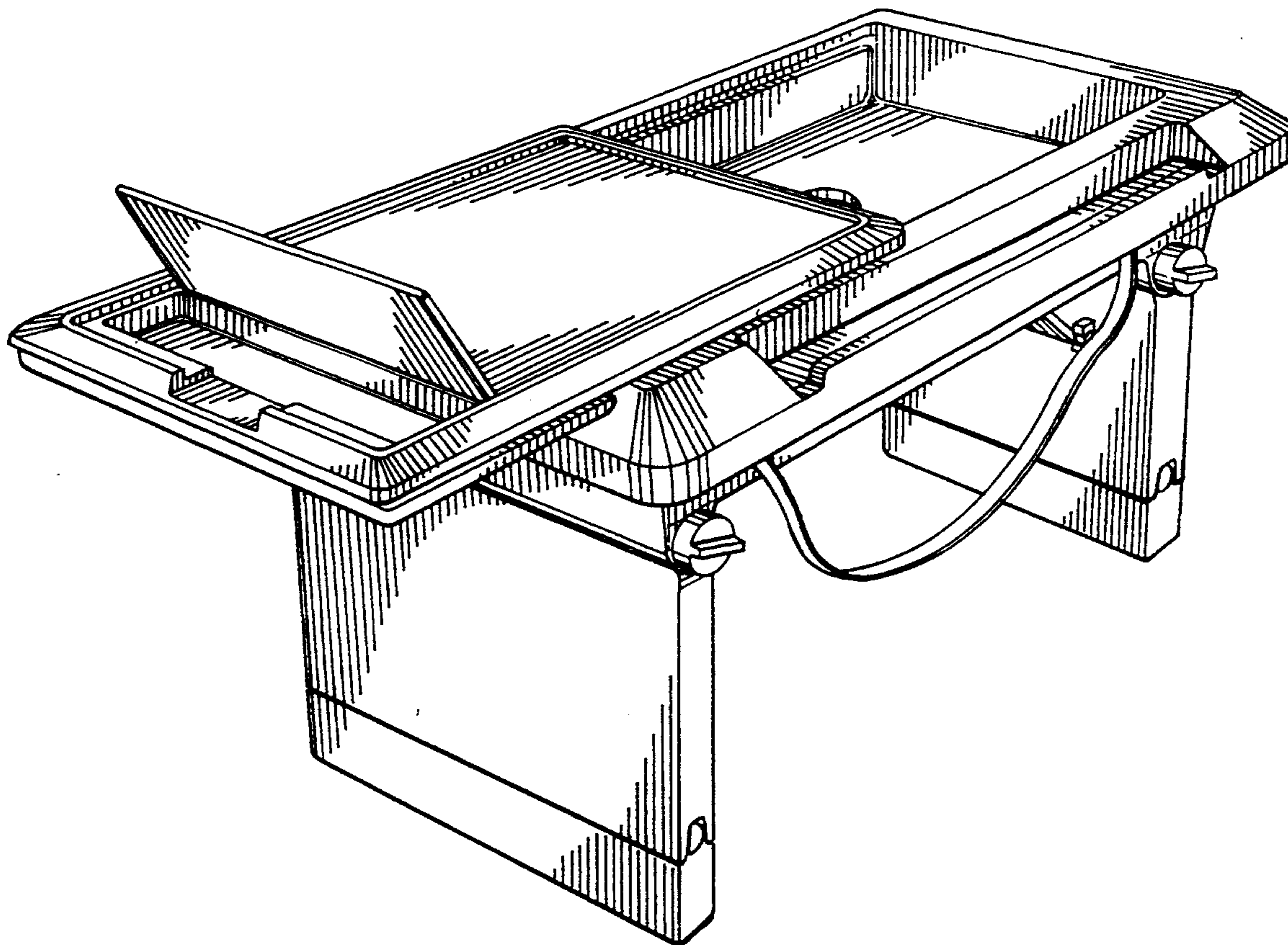
D. 192,525	4/1962	Campbell et al. ....	D6/406
D. 282,218	1/1986	Catelli .....	D6/406 X
D. 289,840	5/1987	Burkes .....	D6/406 X
D. 295,589	5/1988	Walker .....	D6/406 X
D. 298,091	10/1988	Wilson .....	D6/406
D. 332,527	1/1993	Szablak et al. .	
D. 342,842	1/1994	Lemon .....	D6/406
2,228,203	1/1941	Hoffmann .	
2,643,395	6/1953	Stassinos .	
2,953,287	9/1960	Werner .	
3,395,666	7/1968	Pearlman .	

[57] **CLAIM**

The ornamental design for a portable table, as shown and described.

**DESCRIPTION**

FIG. 1 is a perspective view of a portable table showing my new design;  
FIG. 2 is a right side elevational view thereof;  
FIG. 3 is a left side elevational view thereof;  
FIG. 4 is a front elevational view thereof;  
FIG. 5 is a top plan view thereof; and,  
FIG. 6 is a bottom plan view thereof.



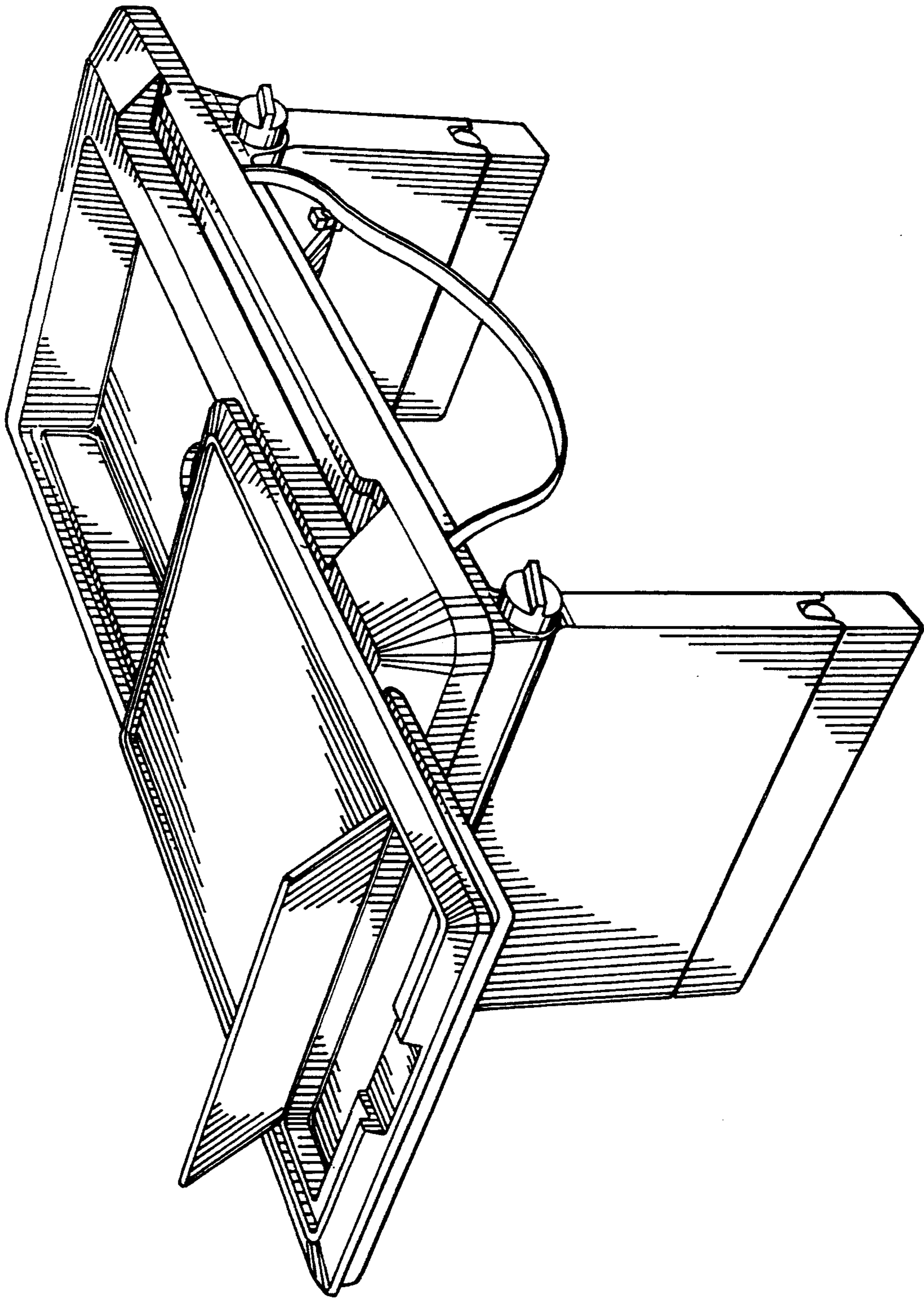


FIG. 1

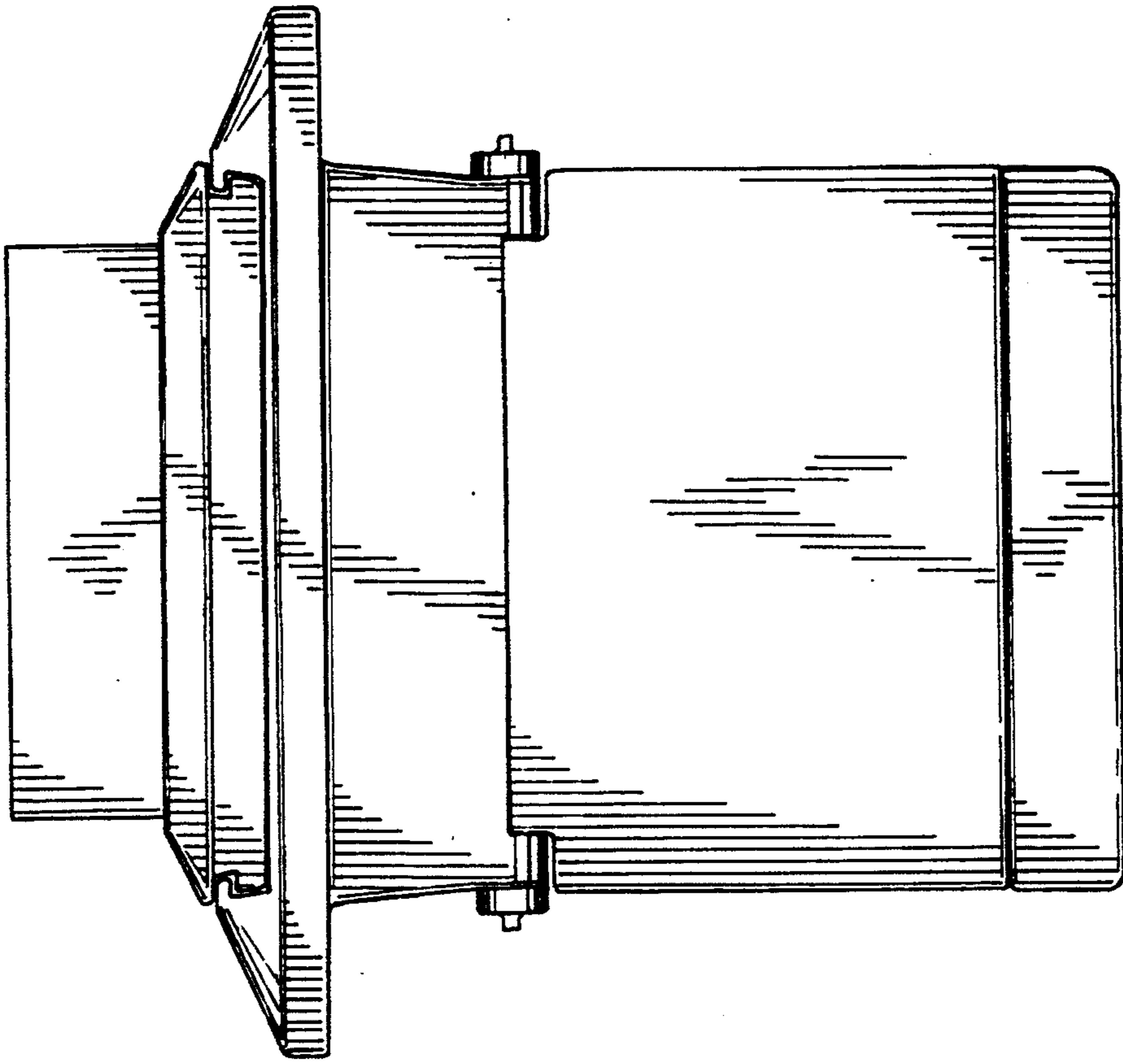


FIG. 3

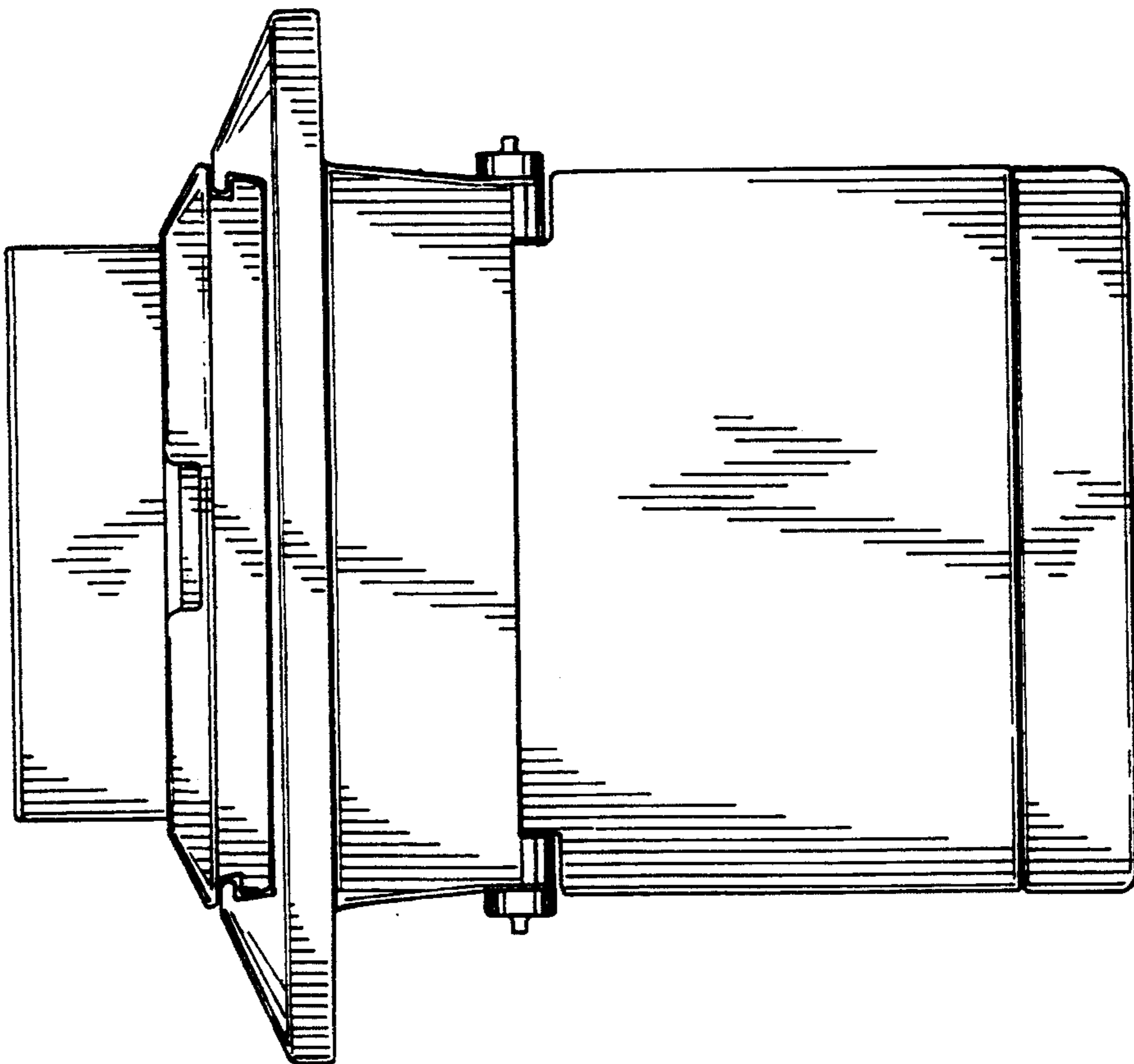


FIG. 2

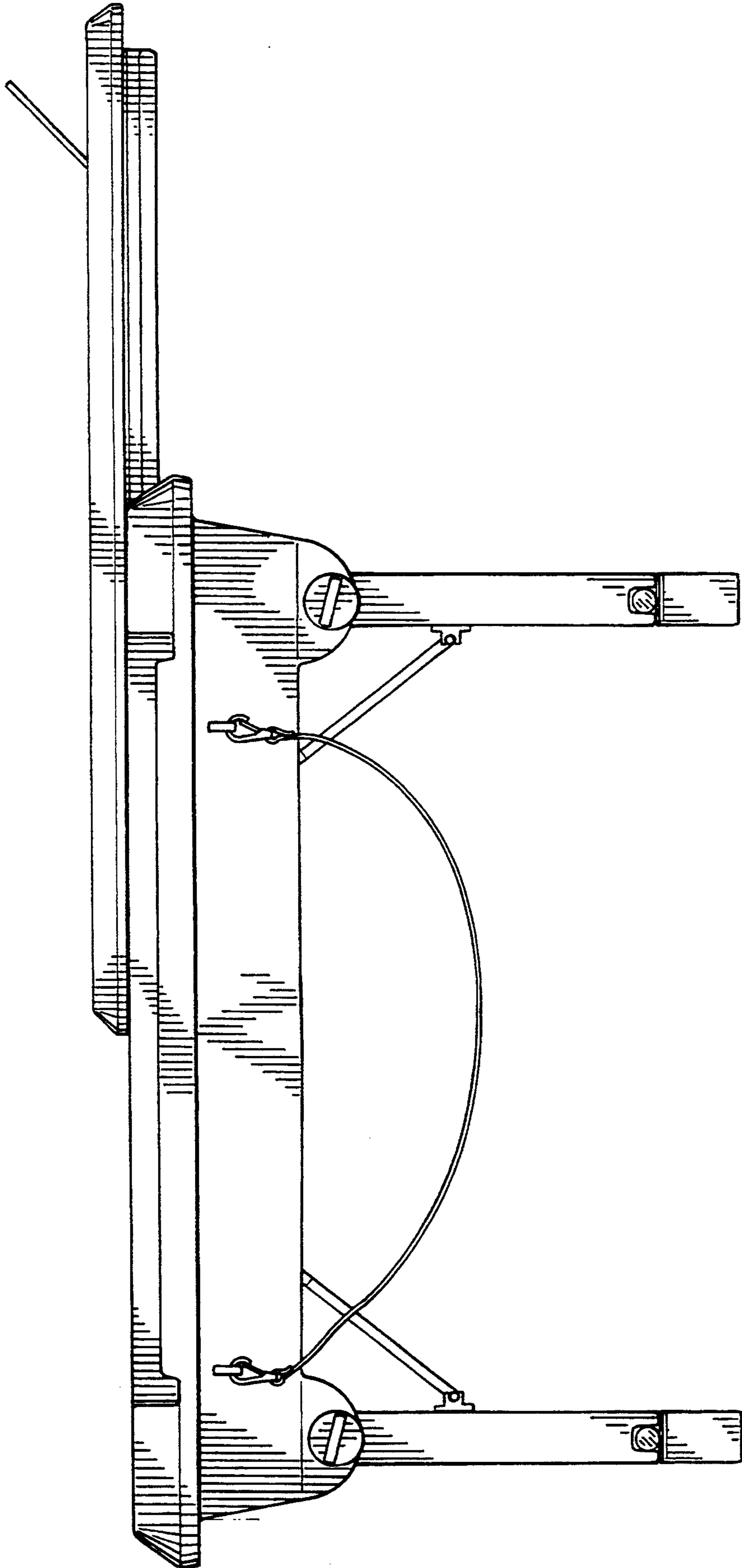


FIG. 4

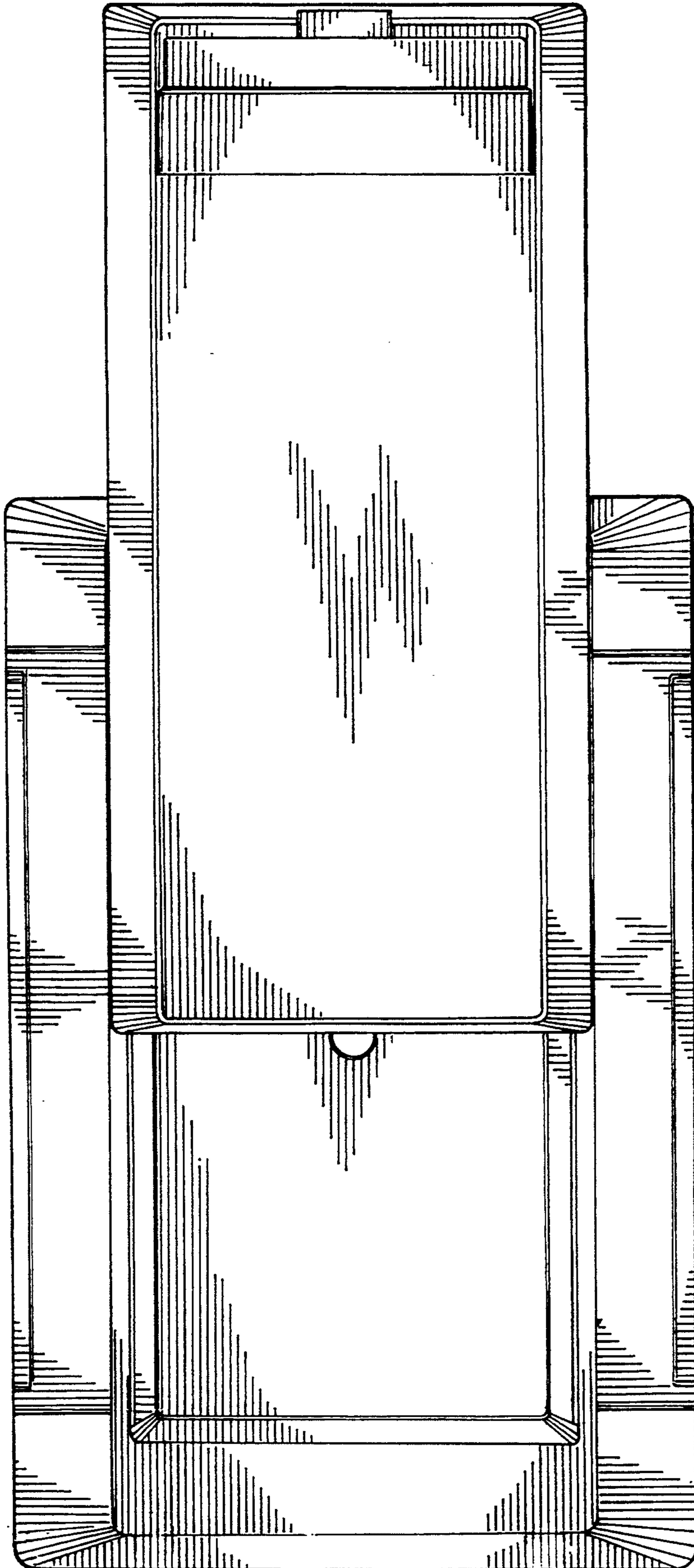


FIG. 5

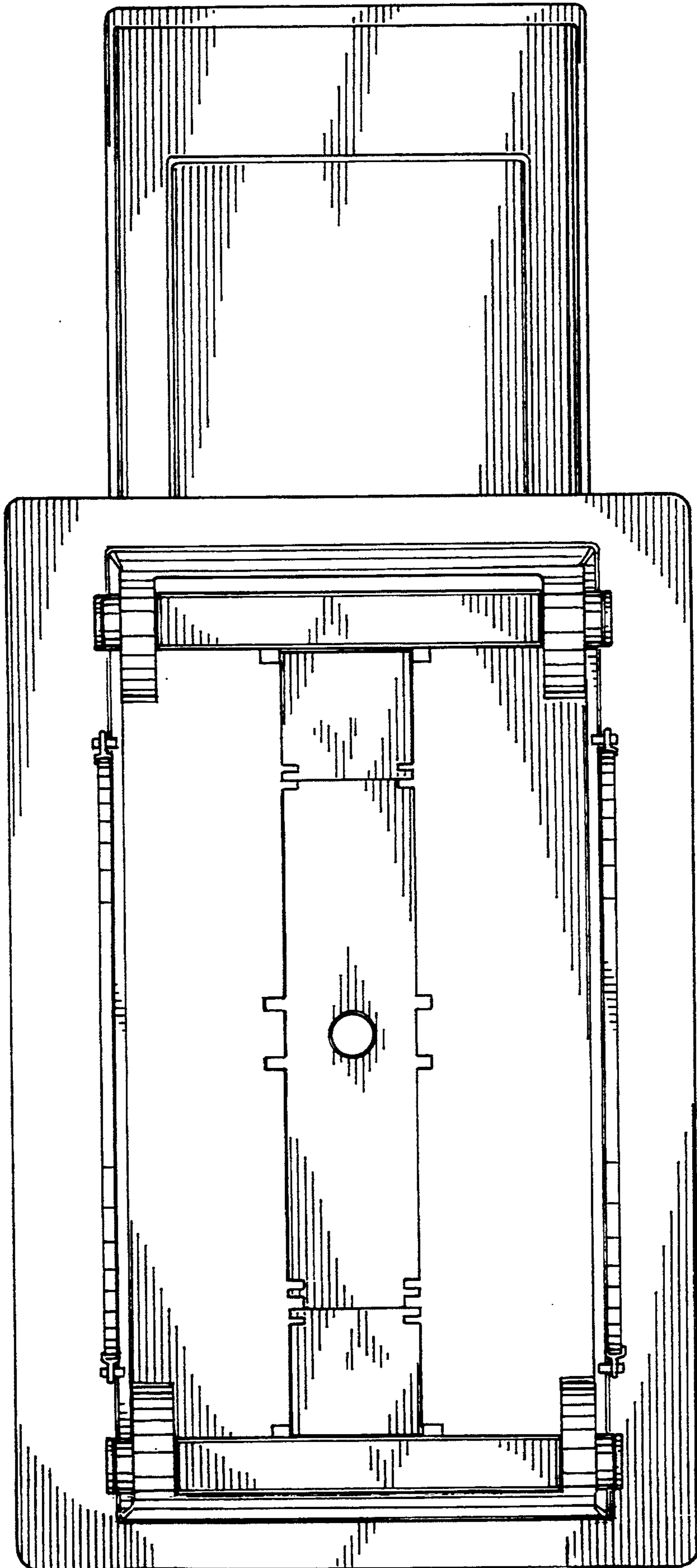


FIG. 6