



US00D355786S

United States Patent [19]

[11] Patent Number: Des. 355,786

Wolff

[45] Date of Patent: ** Feb. 28, 1995

[54] LAP TRAY

5,081,936 1/1992 Drieling 108/43

[75] Inventor: Stacy L. Wolff, Akron, Ohio

OTHER PUBLICATIONS

[73] Assignee: Rubbermaid Incorporated, Wooster, Ohio

Label, Tray; Kayser Berndorf, Inc., Pint Brook, N.J. 07058. Publication date 1992.

[**] Term: 14 Years

Catalog page, Editor's desk; Levenger, address unknown. Publication date 1993.

[21] Appl. No.: 107,478

Catalog page, Editor's desk; Levenger, address unknown. Publication date 1993.

[22] Filed: Jan. 14, 1994

Label, Tray; M. Kamenstein Inc., address unknown. Publication date 1990.

[52] U.S. Cl. D6/406; D7/553

[58] Field of Search D6/406, 419, 420, 509-511, D6/338, 339; D7/553, 554, 698; 108/42-46, 49, 25, 32; 248/441.1, 444, 463; 297/148-150, 153

Primary Examiner—Janice E. Seeger

Attorney, Agent, or Firm—Richard B. O'Planick; Lisa B. Riedesel

[56] References Cited

[57] CLAIM

U.S. PATENT DOCUMENTS

The ornamental design for a lap tray, as shown and described.

D. 207,062	2/1967	Blair, Sr.	D7/553
D. 209,882	1/1968	Anderson	D74/9
D. 226,999	5/1973	Jessen	D6/156
D. 295,474	5/1988	Uredat-Neuhoff	D6/484
D. 301,820	6/1989	Wasserman	D7/553
D. 317,537	6/1991	Pino	D6/484
D. 317,839	7/1991	pino	D6/484
D. 342,170	12/1993	Palmer	D6/406
1,967,979	7/1934	Stern	108/25 X
3,181,483	5/1965	De Vitt et al.	108/25
3,756,166	9/1973	Piretti	108/6

DESCRIPTION

FIG. 1 is a top right front perspective view of a lap tray showing my new design;

FIG. 2 is a top plan view thereof;

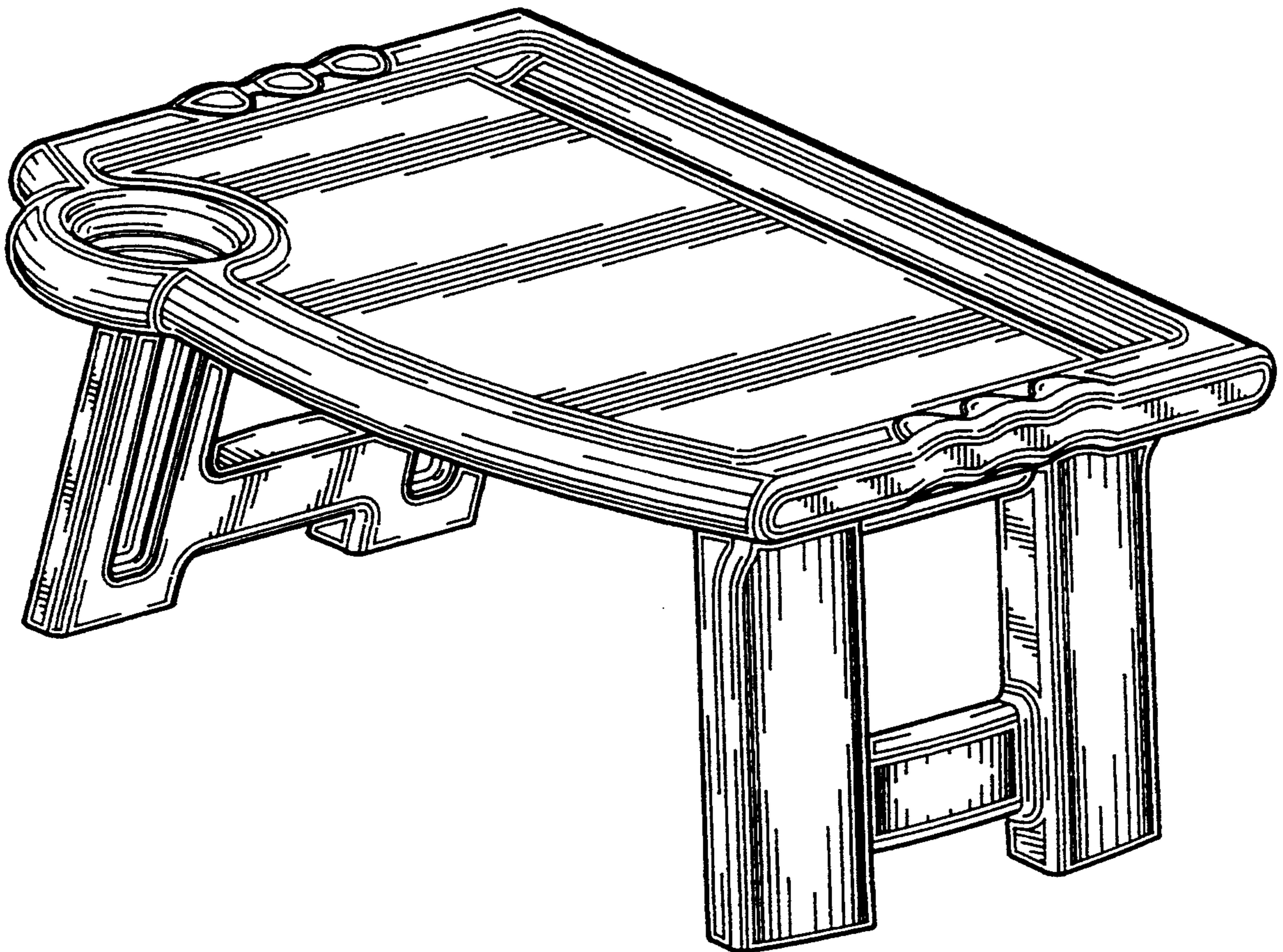
FIG. 3 is a front elevational view thereof;

FIG. 4 is a rear elevational view thereof;

FIG. 5 is a right side elevational view thereof;

FIG. 6 is a left side elevational view thereof; and,

FIG. 7 is a bottom plan view thereof.



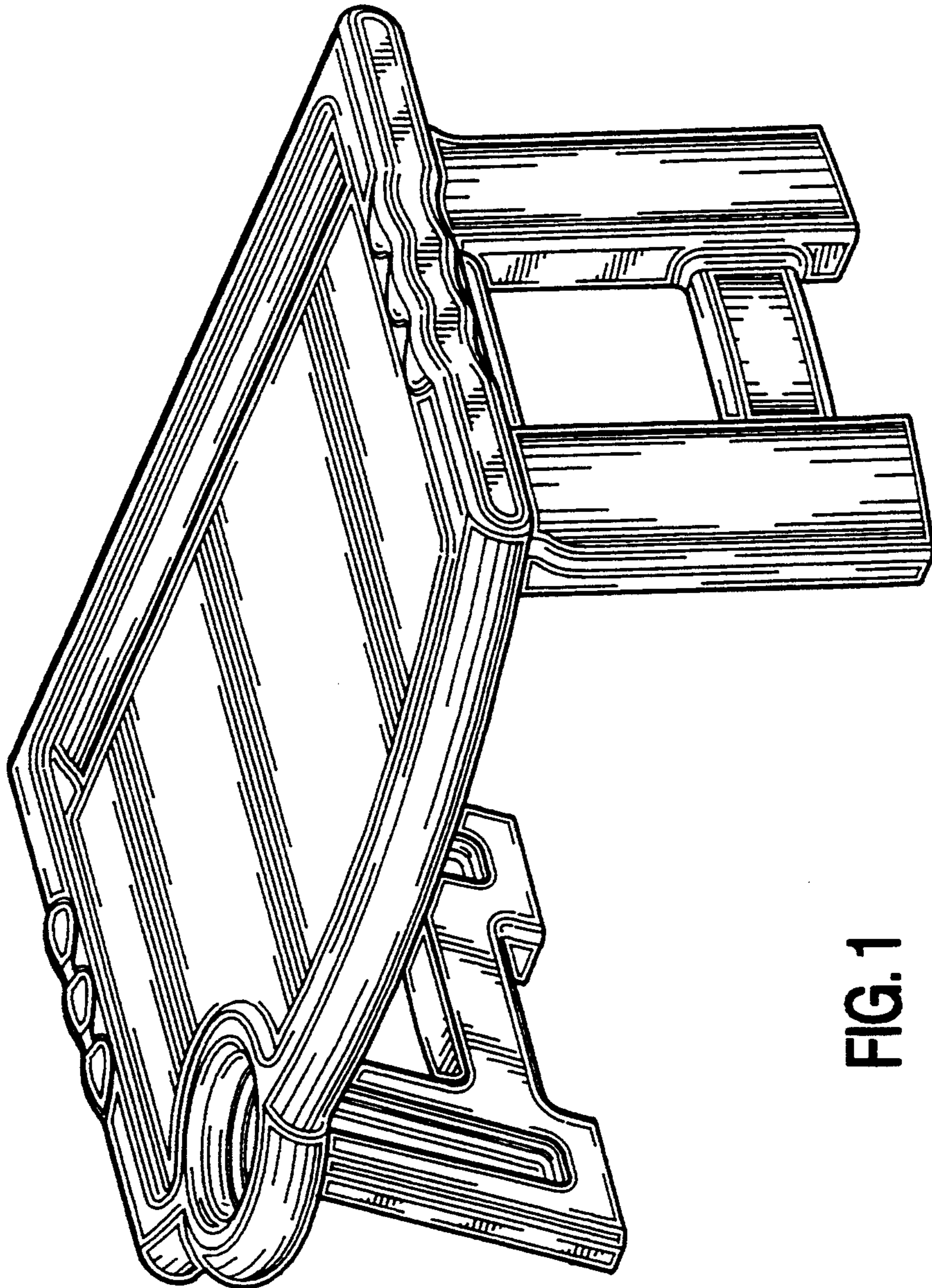


FIG. 1

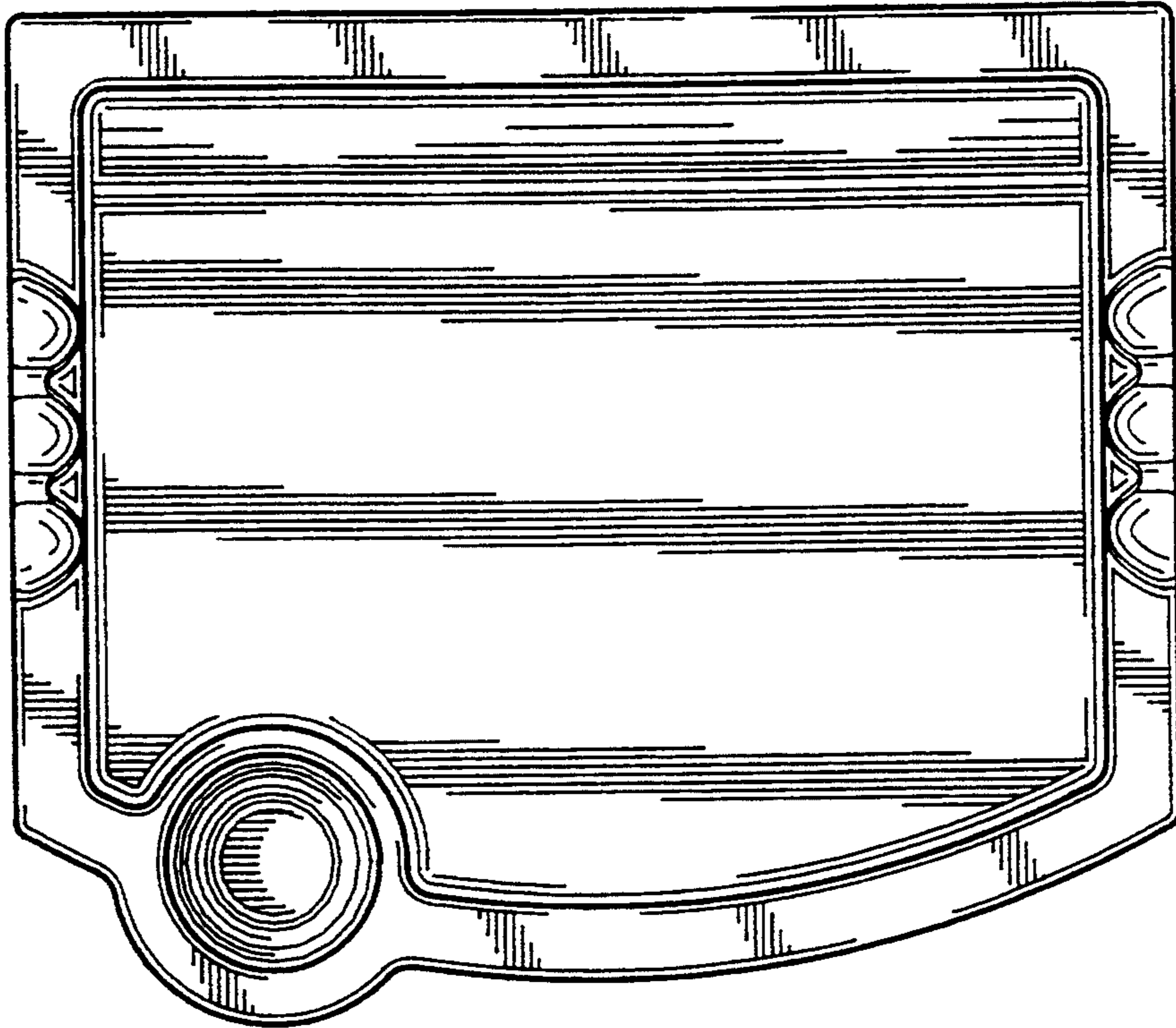


FIG. 2

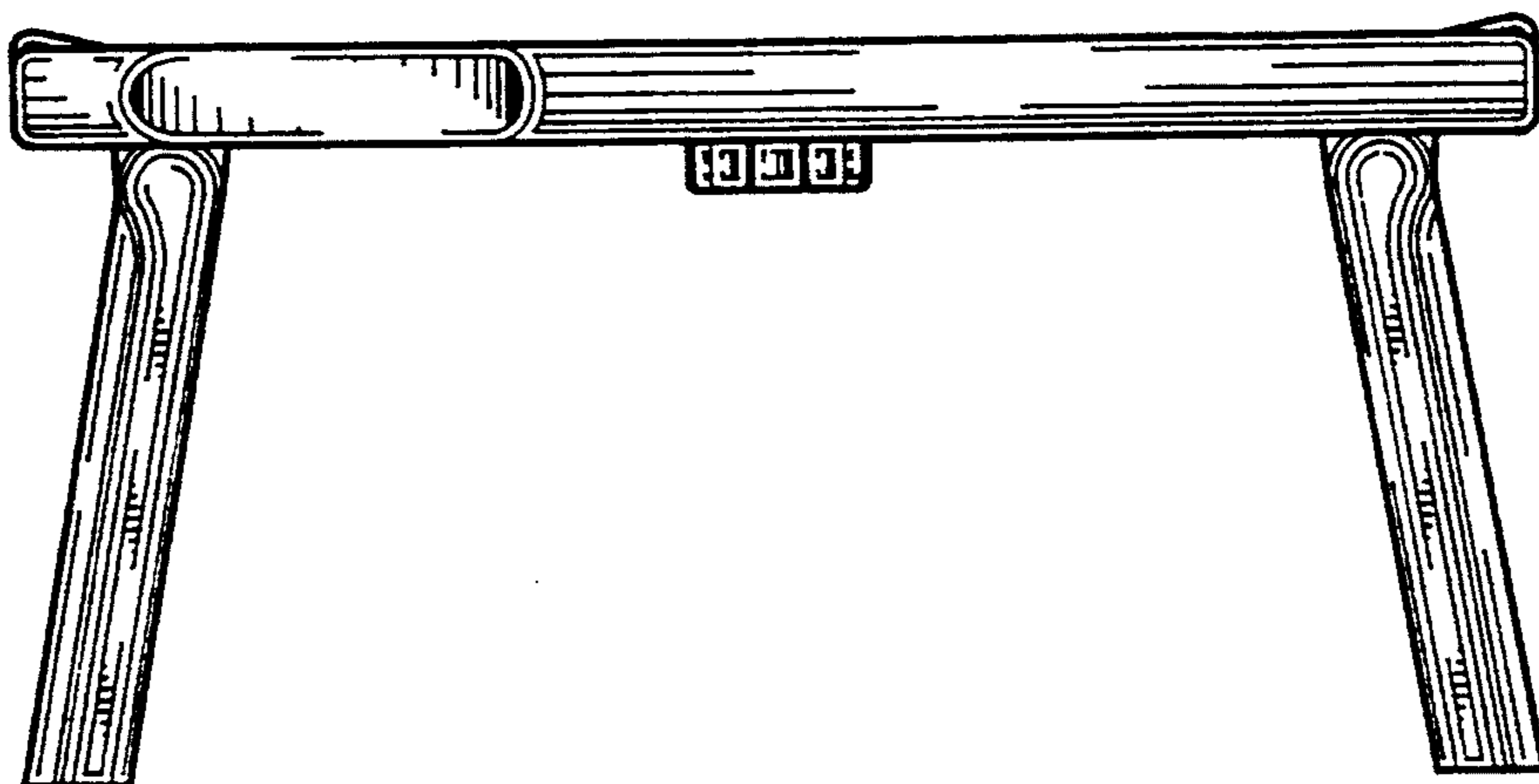


FIG. 3

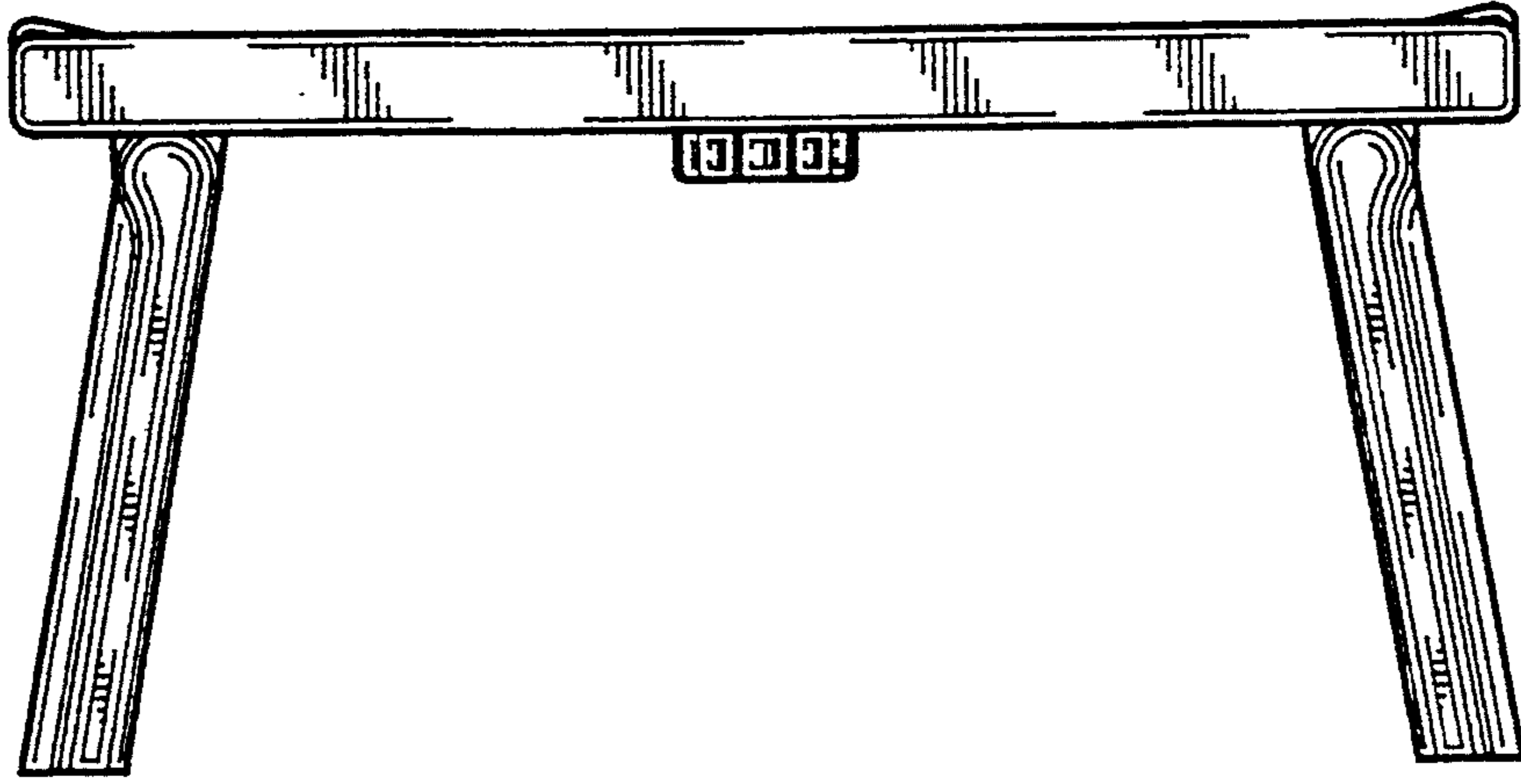


FIG. 4

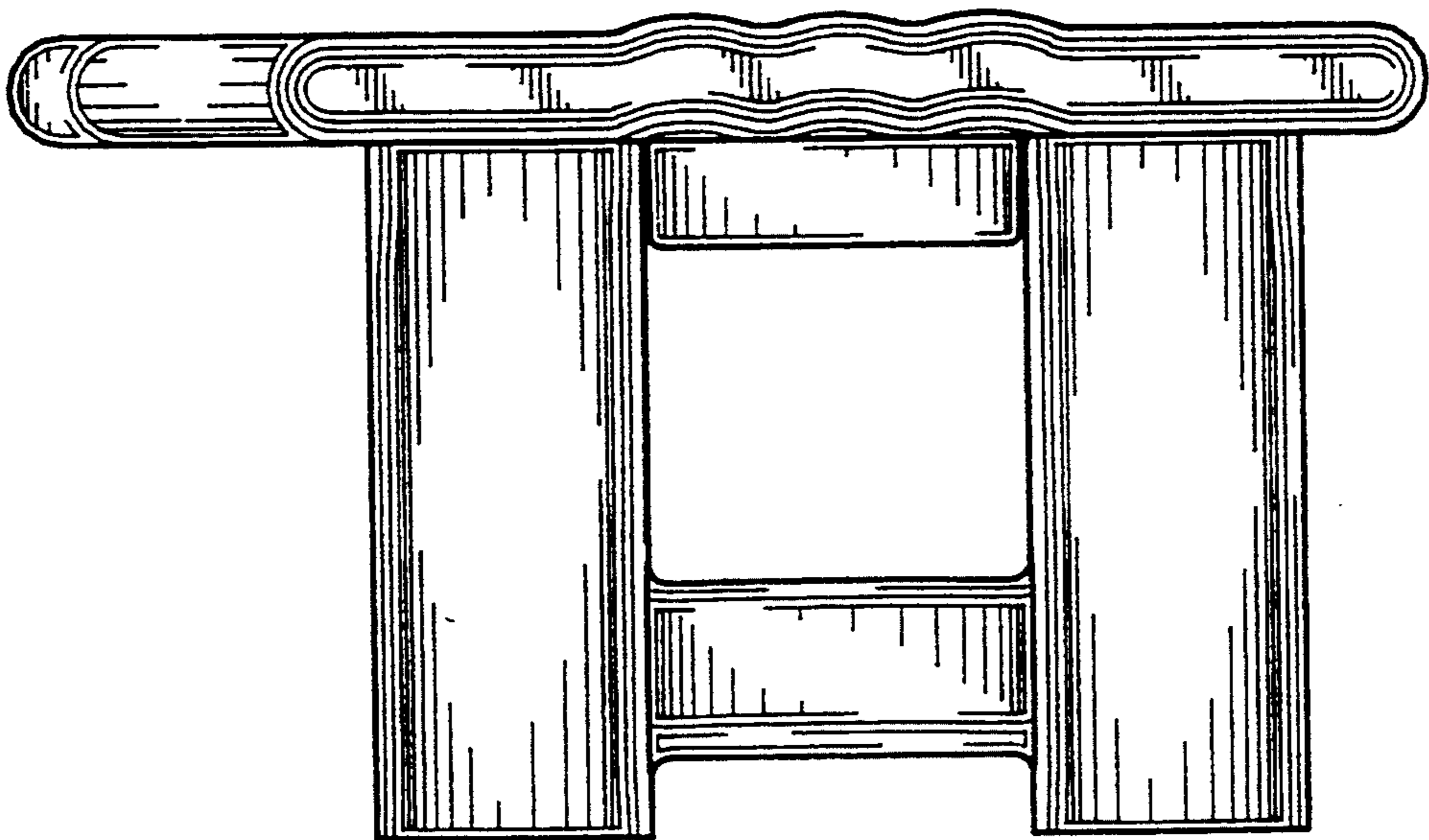


FIG. 5

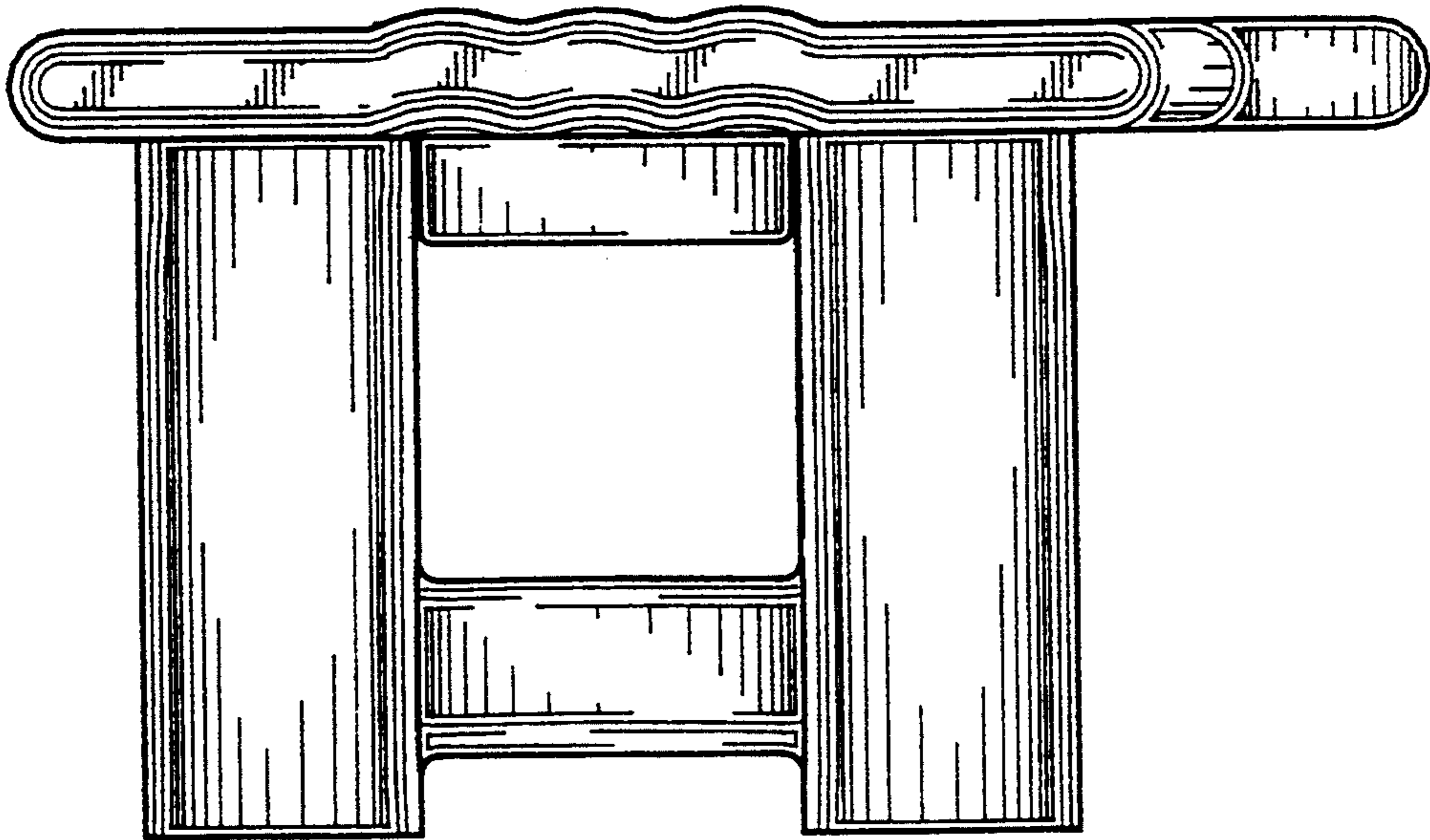


FIG. 6

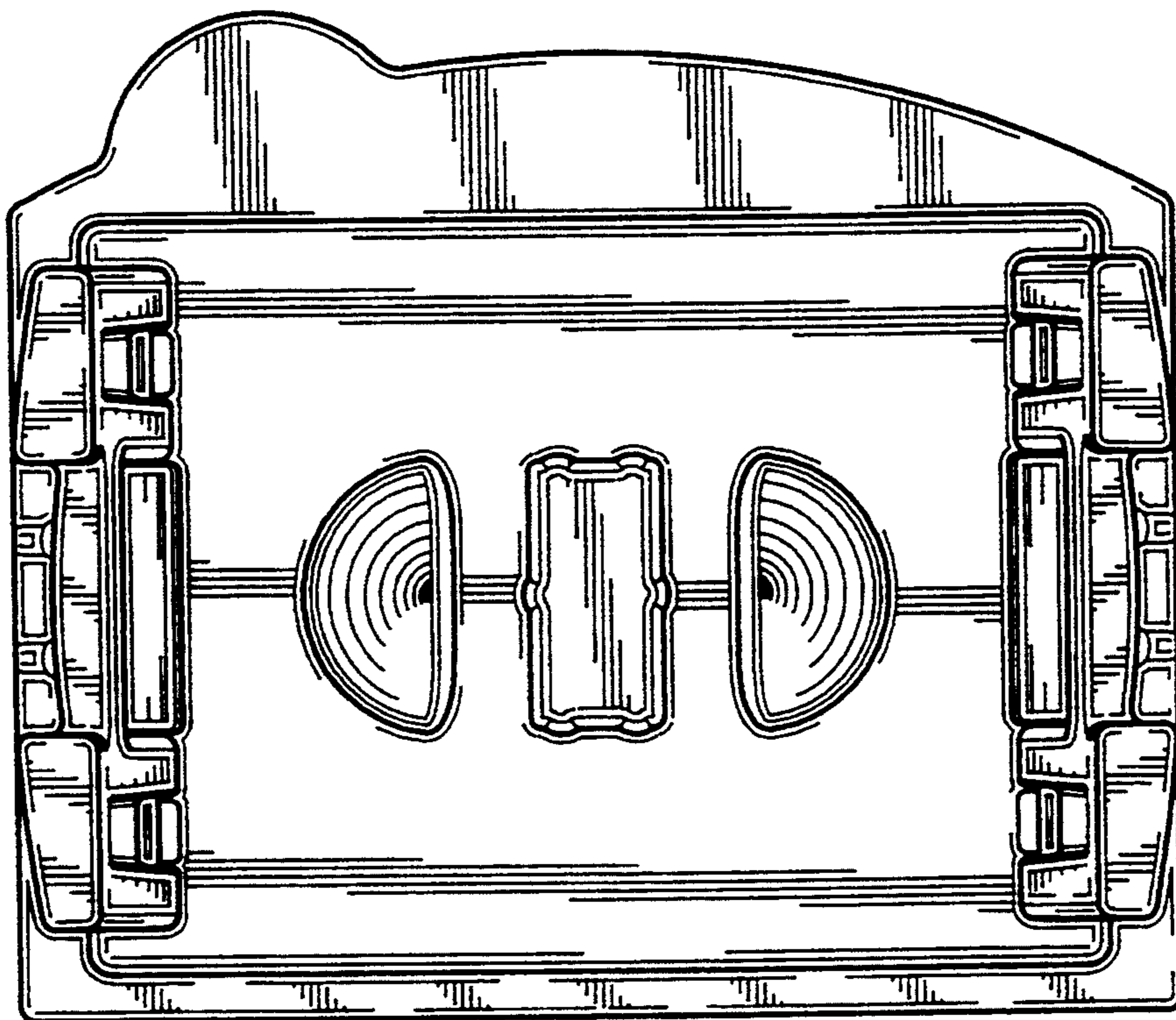


FIG. 7