



US00D355783S

United States Patent [19]

[11] Patent Number: **Des. 355,783**

Noll

[45] Date of Patent: **** Feb. 28, 1995**

[54] BENCH

[75] Inventor: **Ronald C. Noll, Lyndhurst, Ohio**

[73] Assignee: **Cardinal American Corporation, Ohio**

[**] Term: **14 Years**

[21] Appl. No.: **14,658**

[22] Filed: **Oct. 27, 1993**

[52] U.S. Cl. **D6/381; D6/373; D6/376**

[58] Field of Search **D6/334, 335, 336, 364, D6/370, 371, 373, 374, 375, 379, 380, 381, 500, 501, 502; 297/232, 445, 446**

[56] **References Cited**

U.S. PATENT DOCUMENTS

D. 285,151	8/1986	Molinari	D6/381
D. 322,369	12/1991	Laird	D6/364
D. 323,250	1/1992	Leib	D6/373
D. 336,171	6/1993	Laird	D6/373

OTHER PUBLICATIONS

Best Products, Spring & Summer 1974, p. 39, Settee "L" at background of bottom center.

Primary Examiner—Nelson C. Holtje
Assistant Examiner—Gary D. Watson
Attorney, Agent, or Firm—Pearne, Gordon, McCoy & Granger

[57] CLAIM

The ornamental design for a bench, as shown and described.

DESCRIPTION

FIG. 1 is a front perspective view of a bench, showing my new design;
FIG. 2 is a front elevation view thereof;
FIG. 3 is a top plan view thereof;
FIG. 4 is a side view thereof;
FIG. 5 is a rear elevational view thereof; and,
FIG. 6 is a bottom plan view thereof.

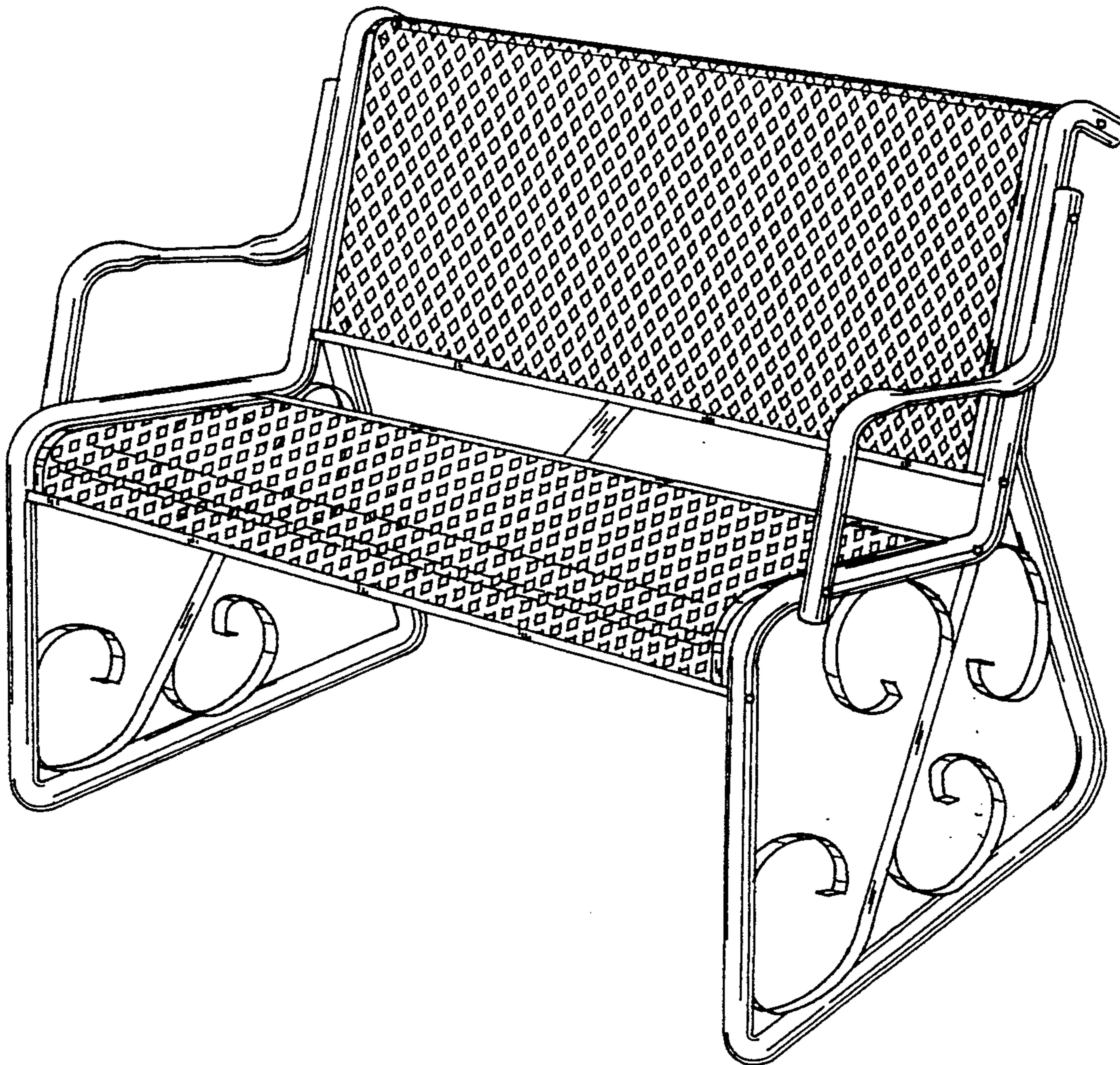
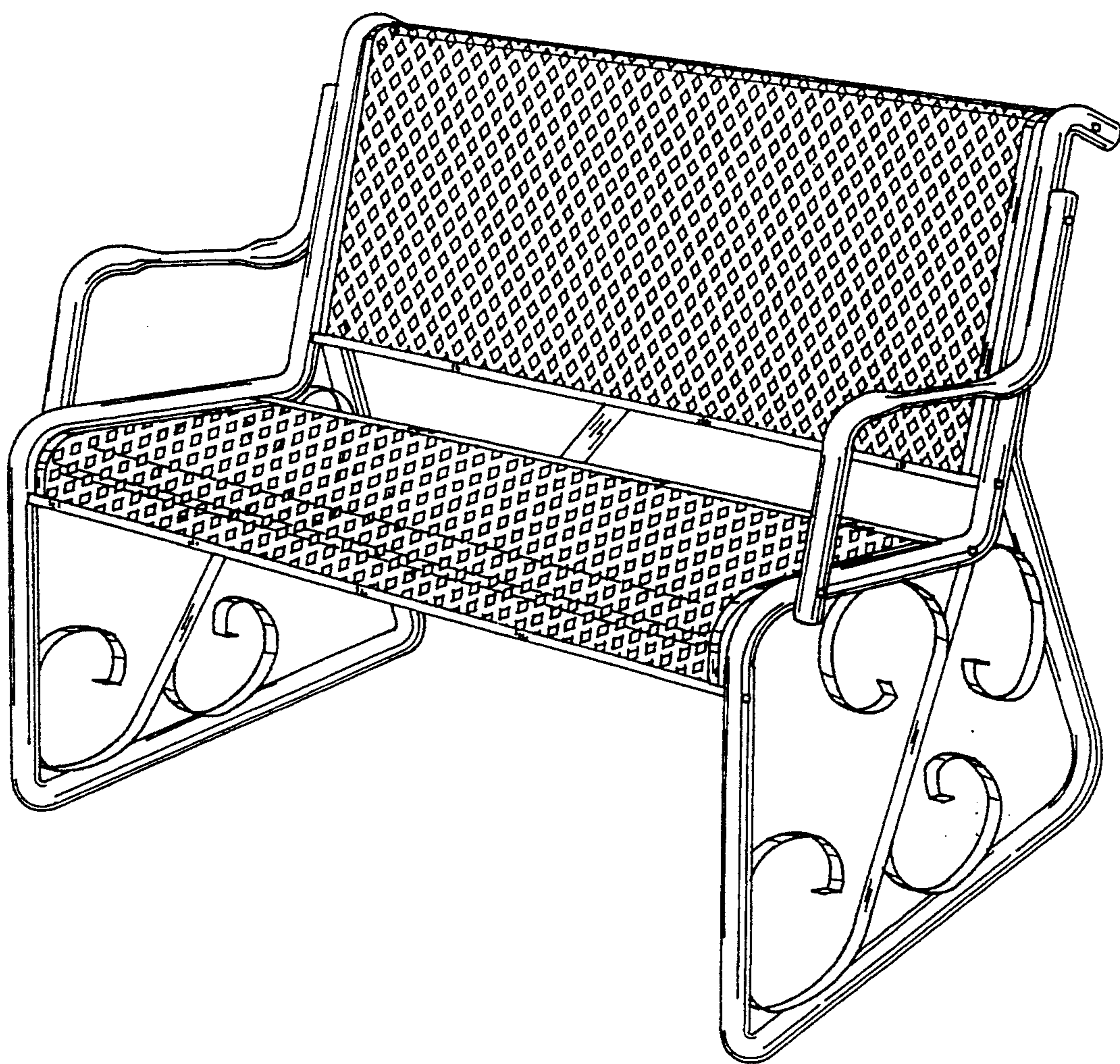


Fig. 1



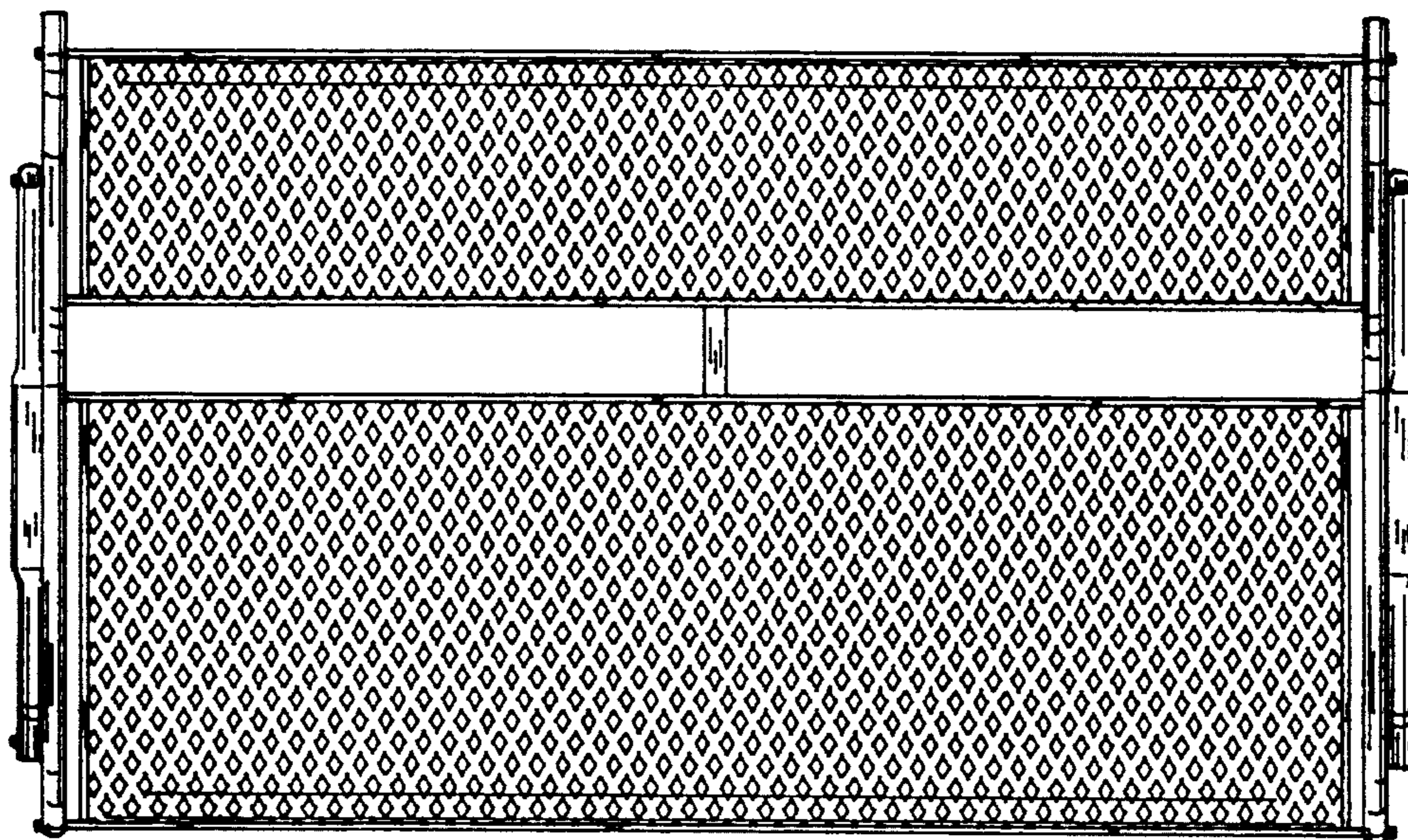


Fig. 3

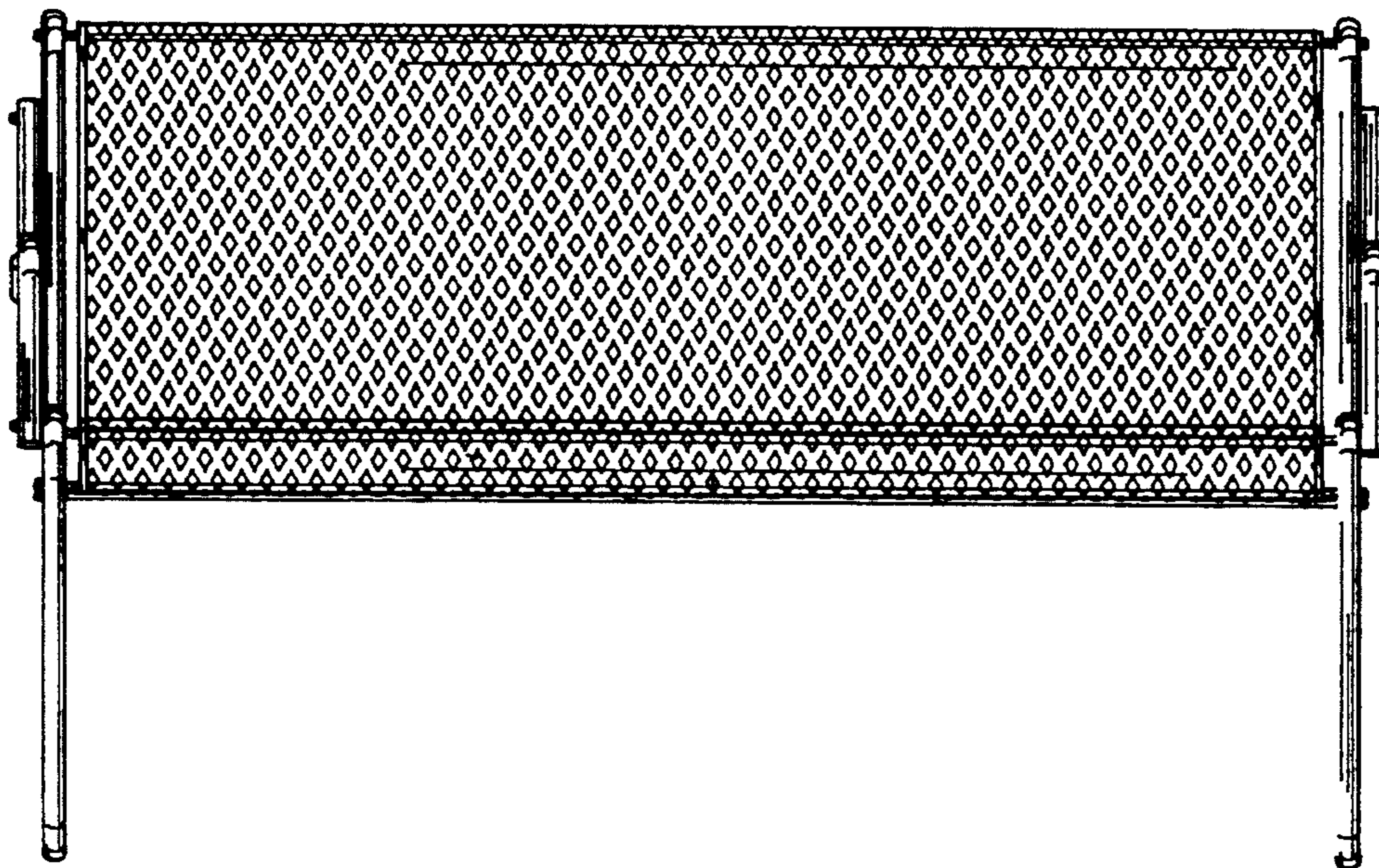


Fig. 2

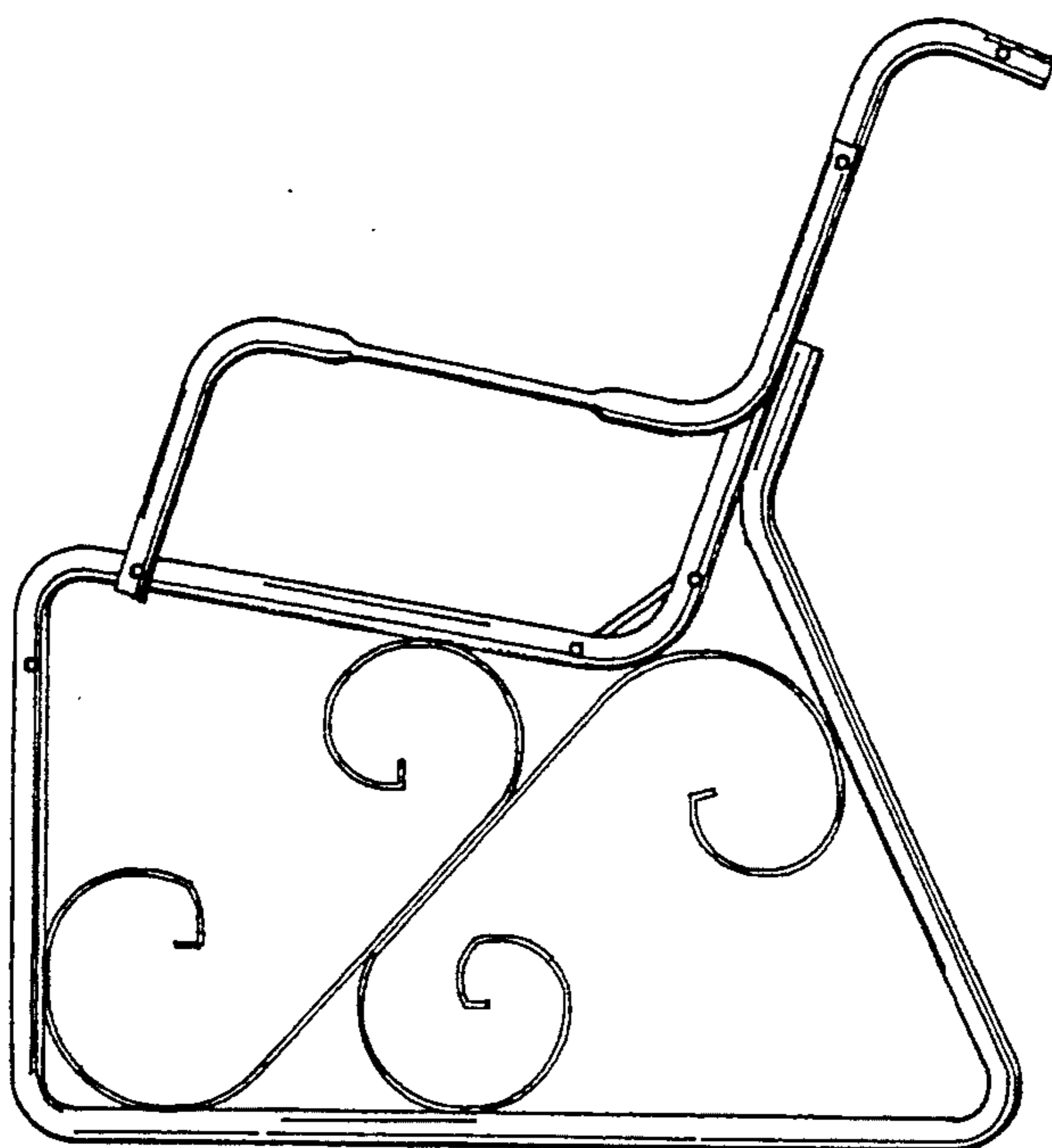


Fig. 4

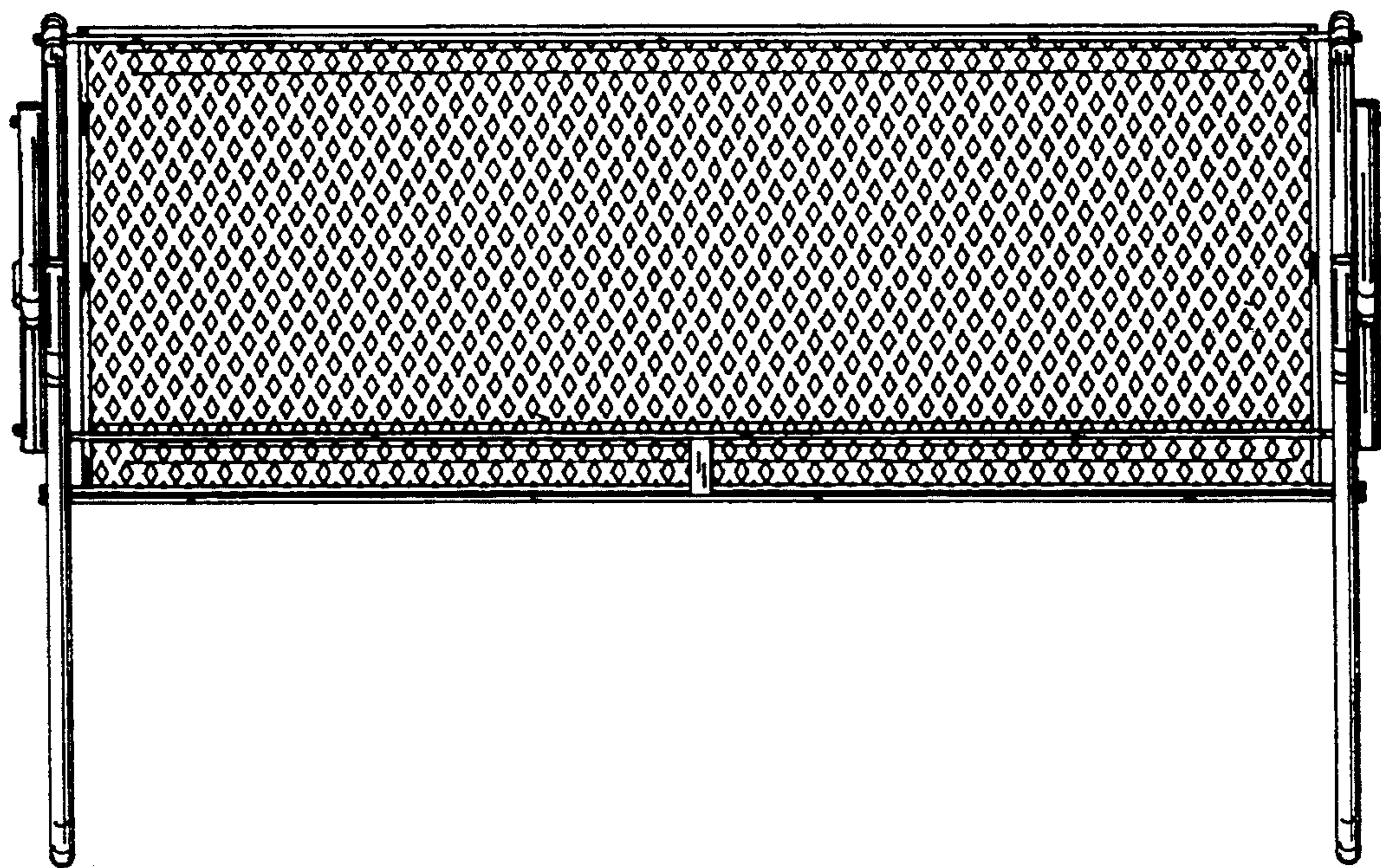


Fig. 5

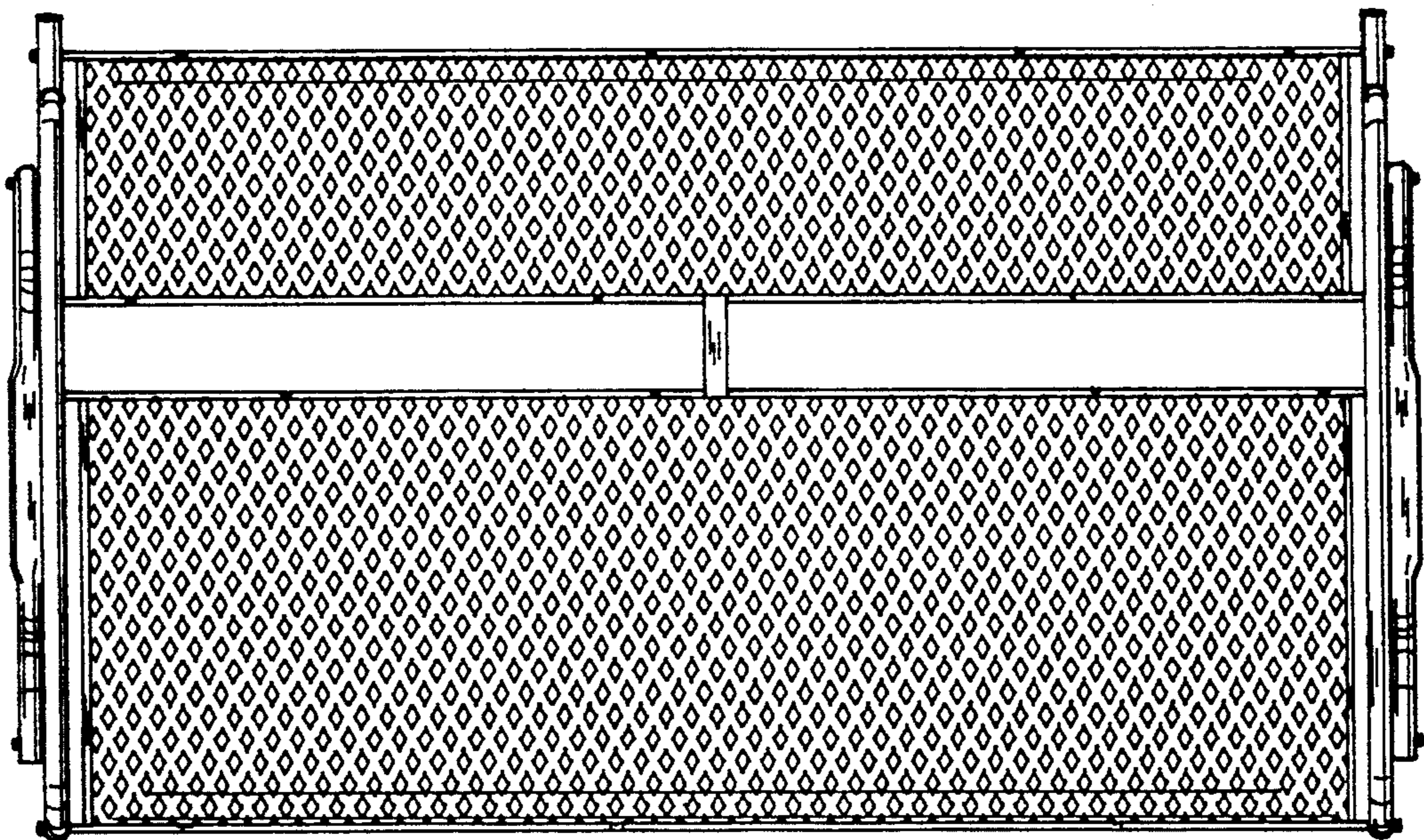


Fig. 6