



US00D355775S

United States Patent [19] Burstein

[11] Patent Number: Des. 355,775

[45] Date of Patent: ** Feb. 28, 1995

[54] HIGH CHAIR

[76] Inventor: Sharon A. Burstein, 10 Thurlow Ter., Albany, N.Y. 12203

[**] Term: 14 Years

[21] Appl. No.: 2,690

[22] Filed: Dec. 16, 1992

[52] U.S. Cl. D6/339

[58] Field of Search D6/339, 333; D12/129; 297/135, 148-150, 173, 174

[56] References Cited

U.S. PATENT DOCUMENTS

D. 148,462	1/1948	Debo	D6/339
D. 176,912	10/1955	Rapaport	D6/339 X
D. 237,023	10/1976	Ross	D6/339 X
D. 248,516	7/1978	Johansson	D6/339 X
3,649,074	3/1972	McDonald et al.	D6/339 X
5,087,097	2/1992	Hehn	297/153

FOREIGN PATENT DOCUMENTS

977798 11/1962 United Kingdom 297/148

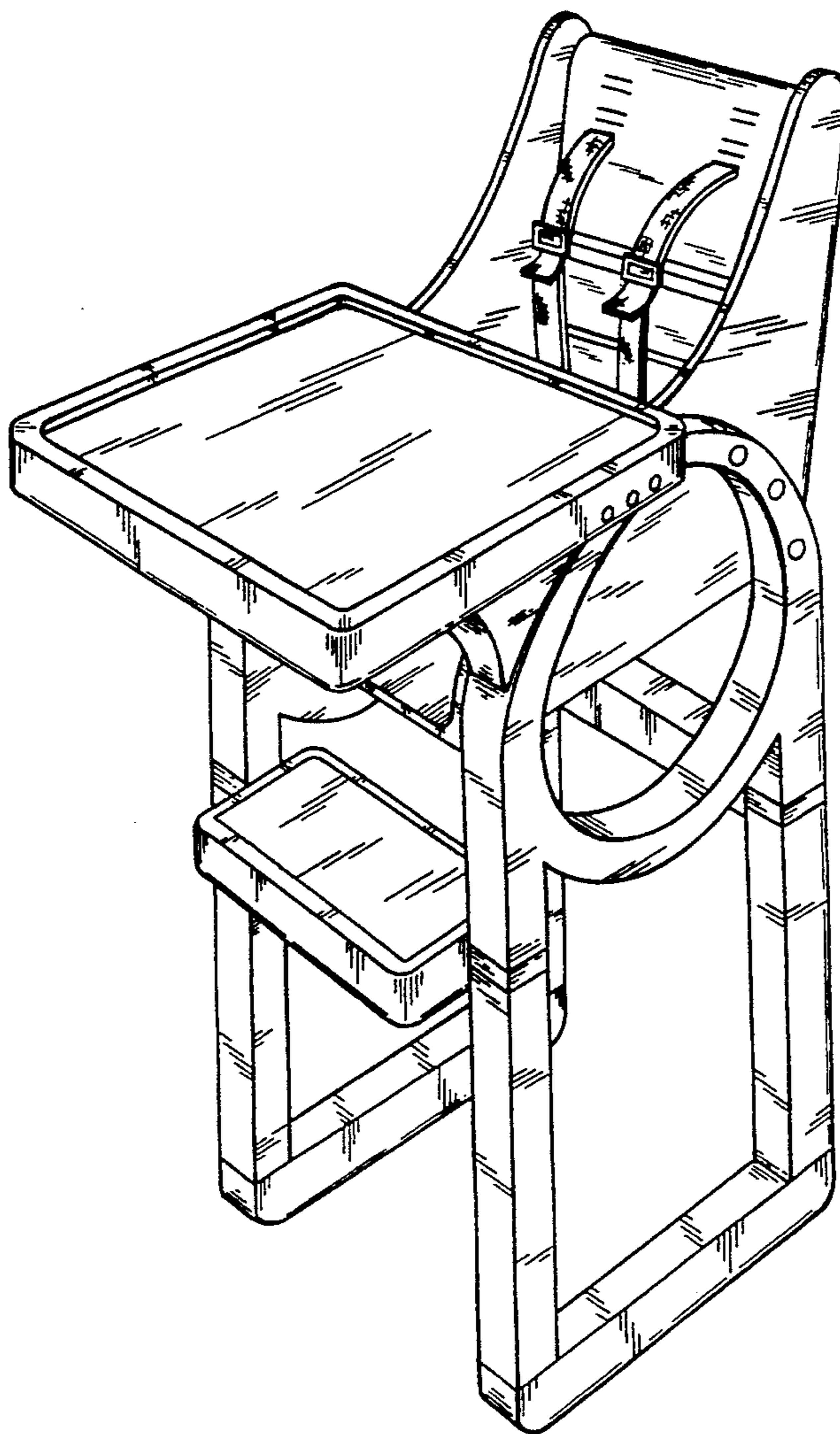
Primary Examiner—Janice E. Seeger
Attorney, Agent, or Firm—Morgan & Finnegan

[57] CLAIM

The ornamental design for a high chair, as shown and described.

DESCRIPTION

FIG. 1 is a perspective view of a high chair, showing my new design;
FIG. 2 is a front view of a high chair shown in FIG. 1;
FIG. 3 is a left side of a high chair shown in FIG. 1;
FIG. 4 is the right side of a high chair shown in FIG. 1;
FIG. 5 is the rear view of a high chair shown in FIG. 1;
FIG. 6 is the top view of a high chair shown in FIG. 1;
and,
FIG. 7 is the bottom view of a high chair shown in FIG. 1;



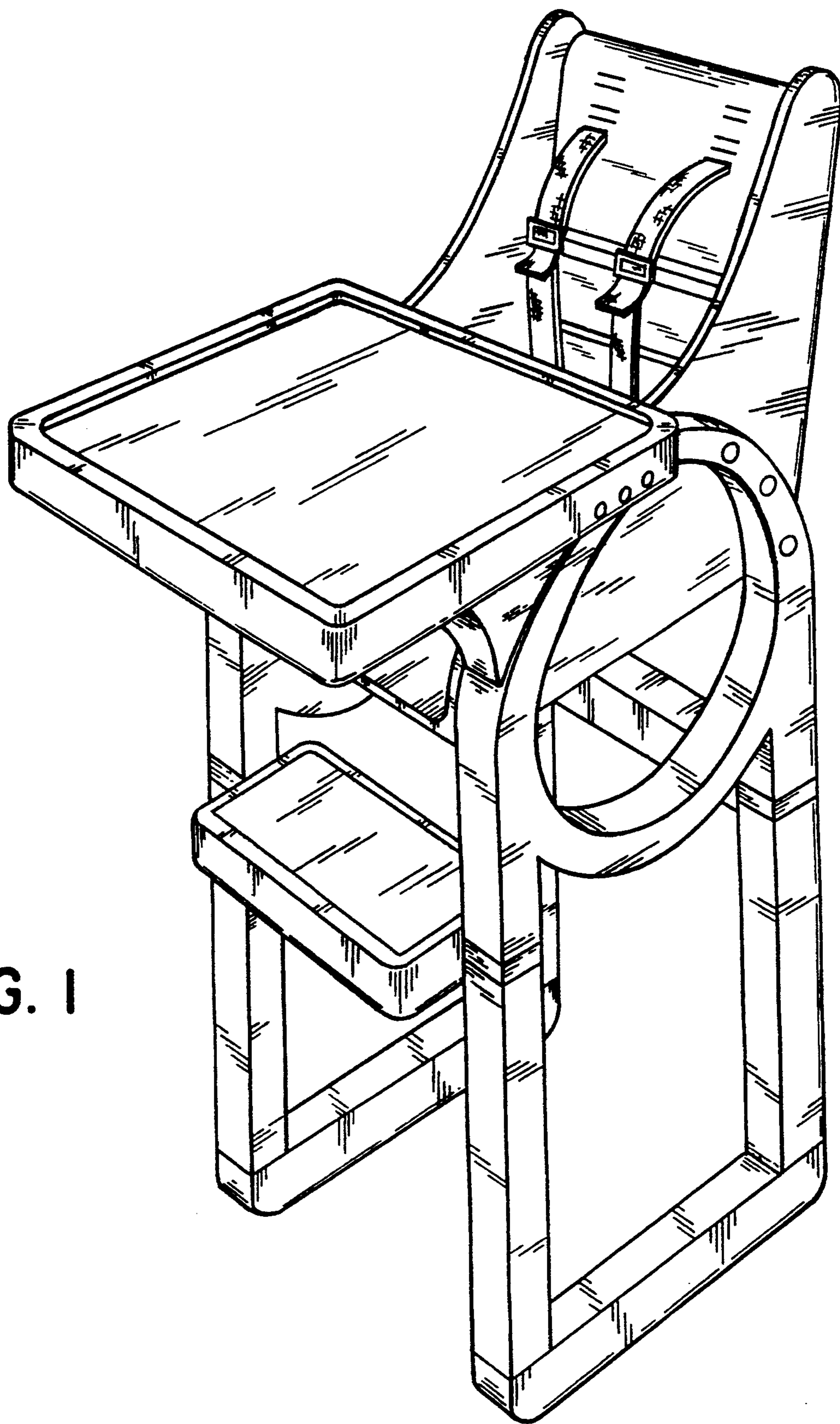


FIG. 1

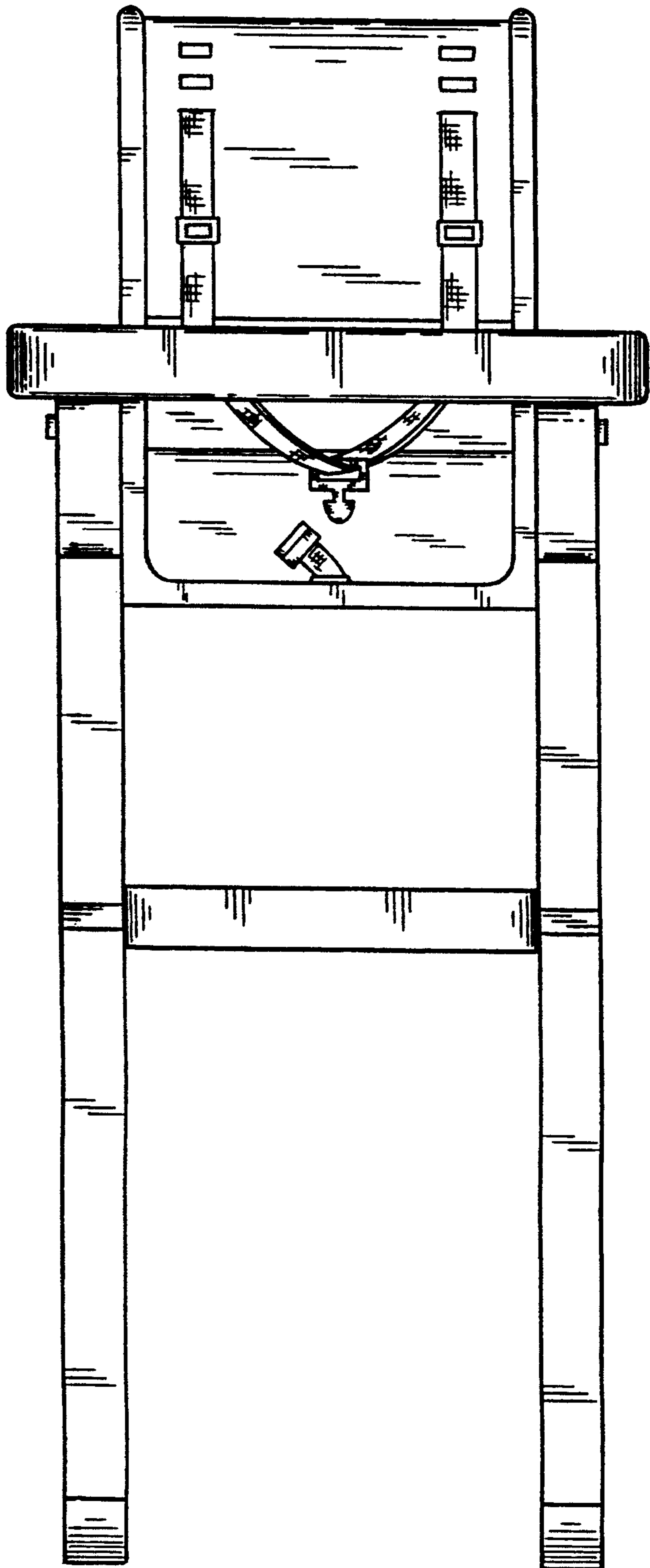


FIG. 2

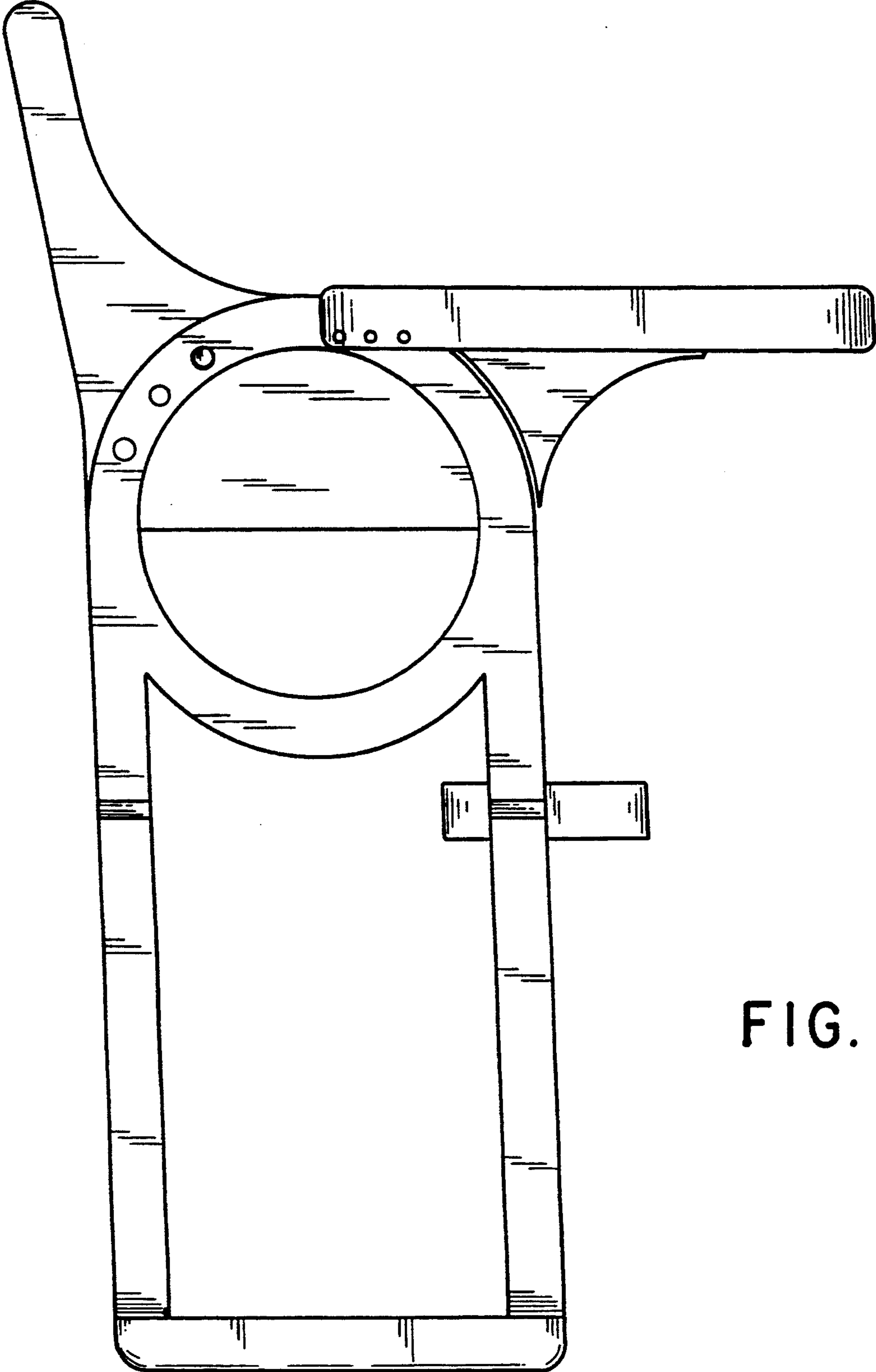
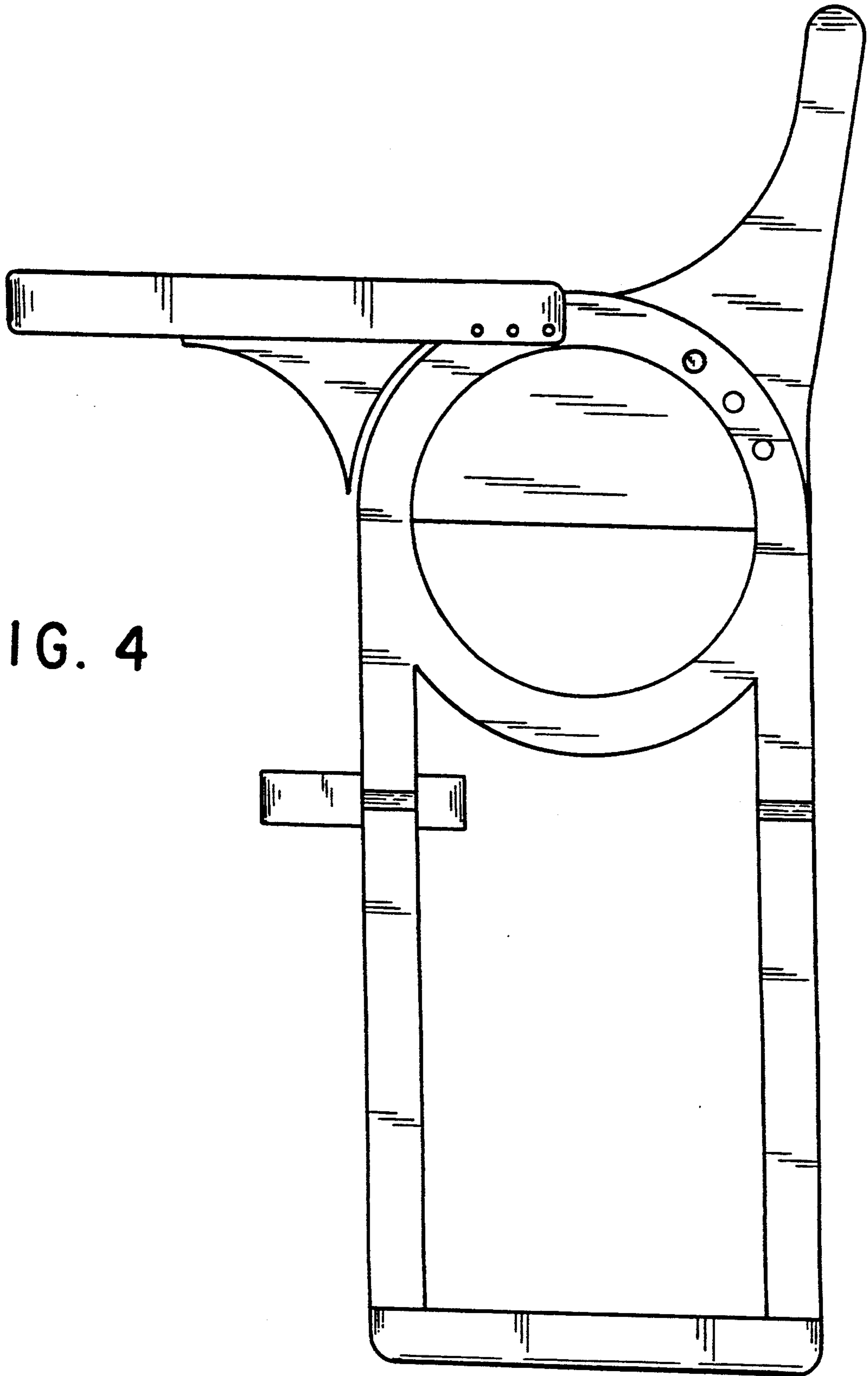


FIG. 3

FIG. 4



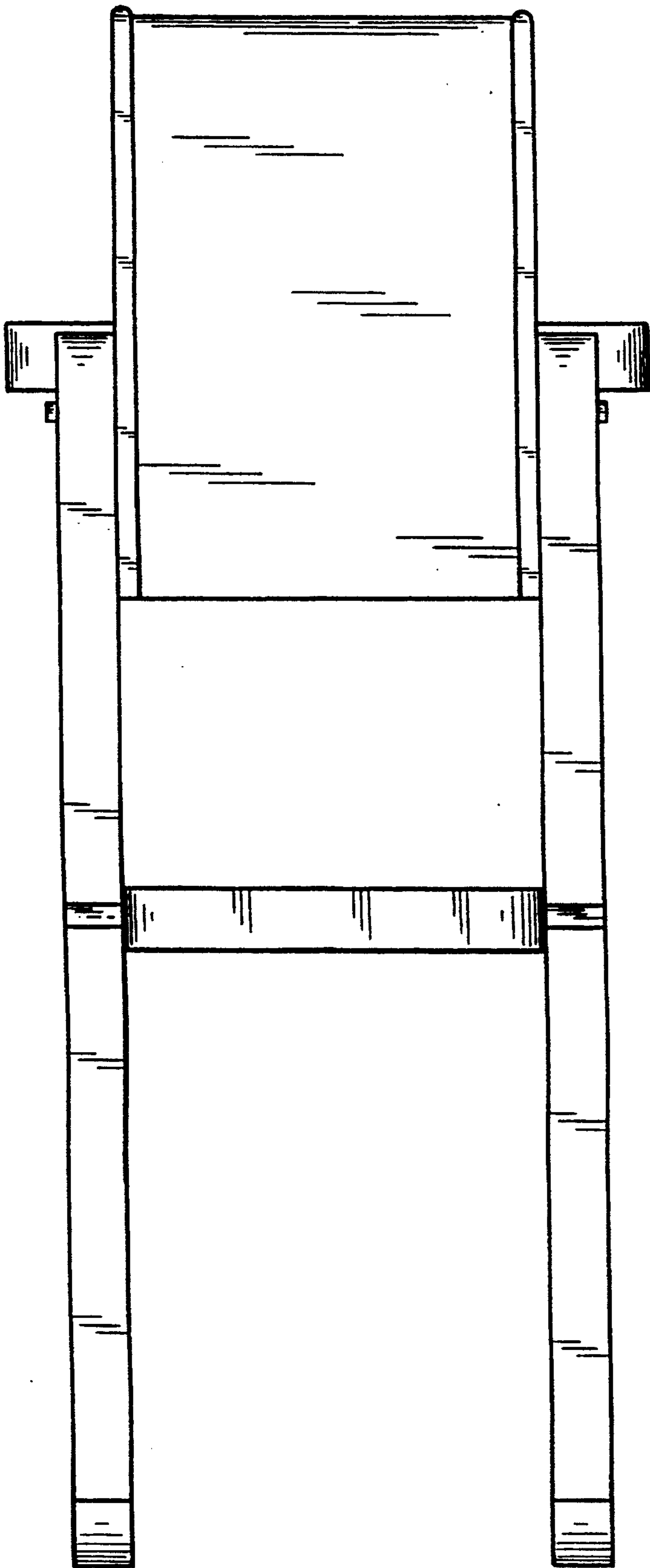


FIG. 5

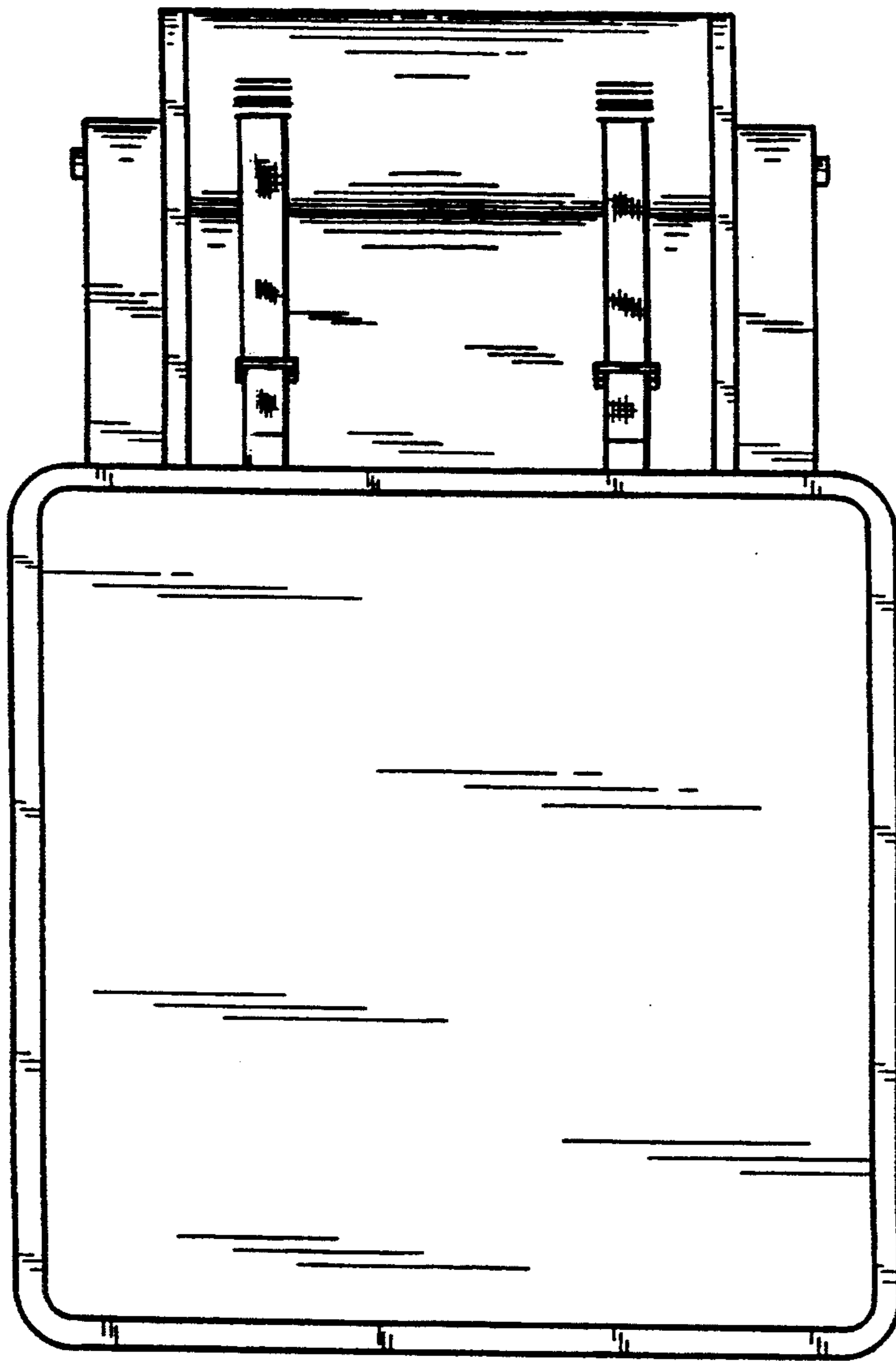


FIG. 6

FIG. 7

